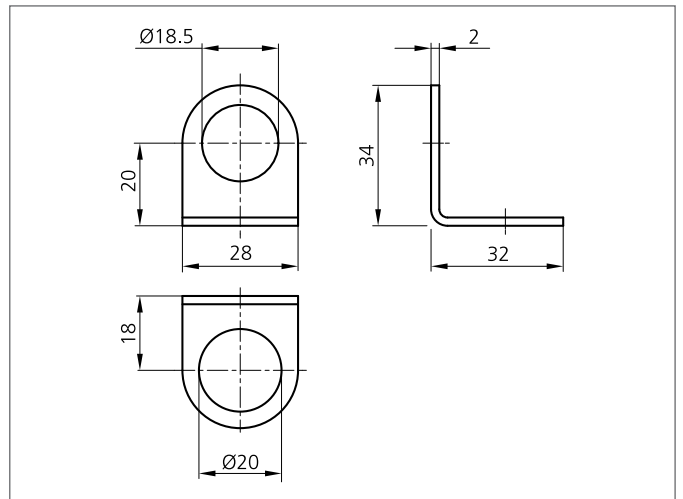
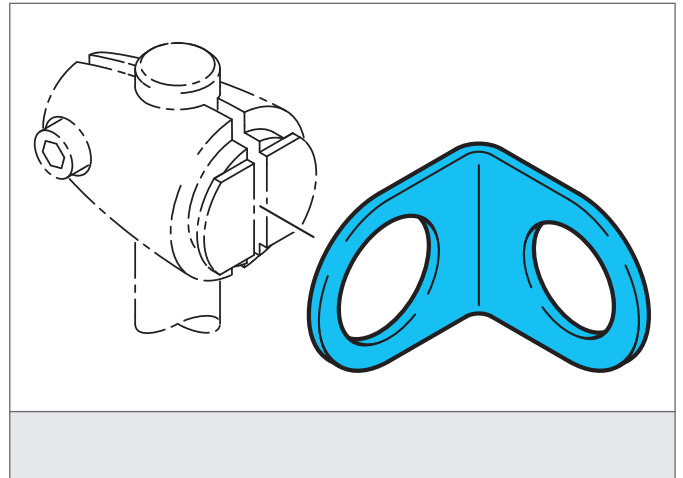


HS-BW-18

Mounting bracket

- Highly flexible versatile mounting system
- All-purpose mounting
- Smooth adjustment
- Robust design



TECHNICAL INFORMATION (typ.)

Dimension	Ø 18,5 / Ø 20 mm (Diameter assembly tap/drilling)
Casing material	stainless steel
Product series	System holder HS