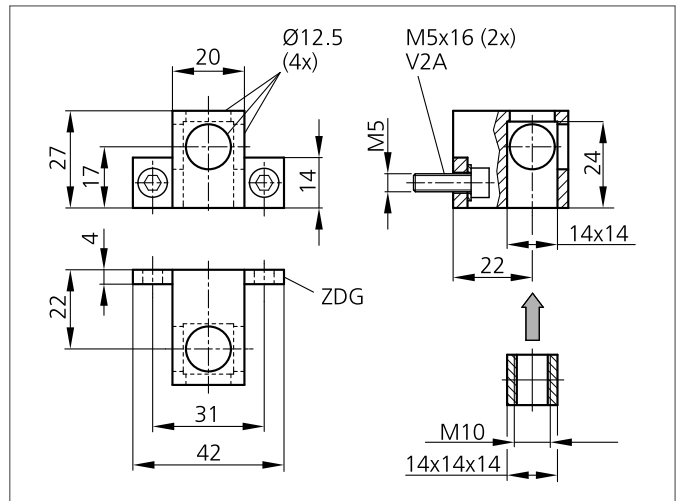
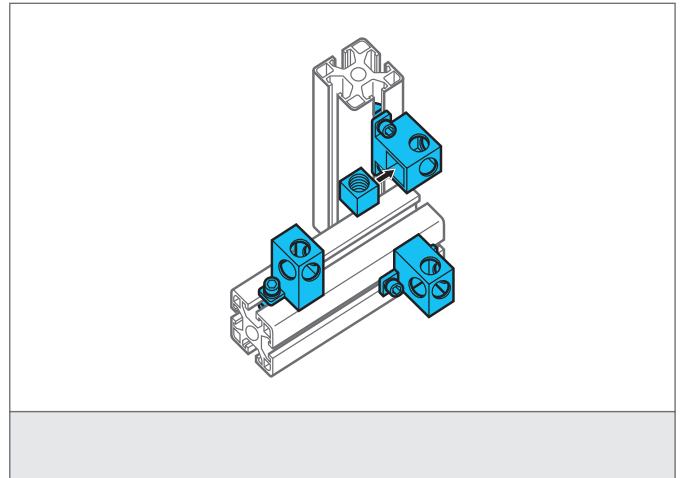


# HS-GH-12

## Base holder

- Highly flexible versatile mounting system
- All-purpose mounting
- Smooth adjustment
- Robust design



### TECHNICAL INFORMATION (typ.)

Dimension	M 10 (Diameter assembly tap/drilling)
Casing material	Die-cast zinc
Product series	System holder HS