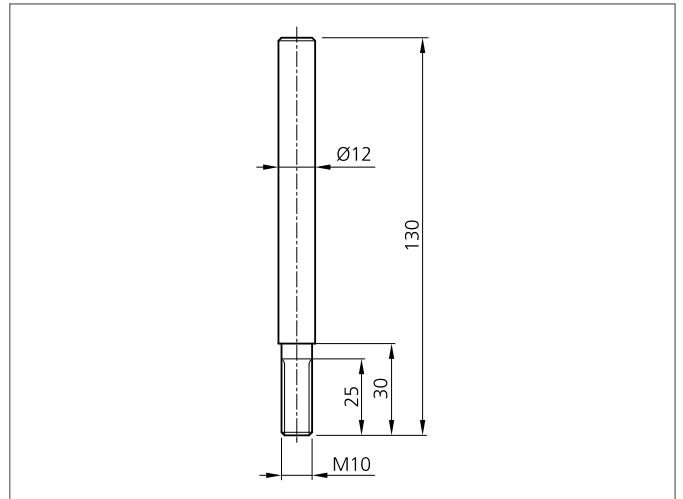
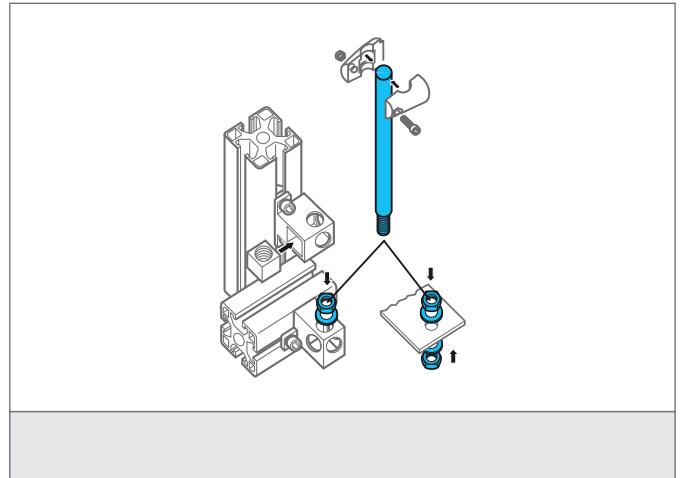


HS-S-12-130-M10

Mounting rod

- Highly flexible versatile mounting system
- All-purpose mounting
- Smooth adjustment
- Robust design



TECHNICAL INFORMATION (typ.)

Dimension	Ø 12 mm / M 10 (Diameter assembly tap/drilling)
Casing material	stainless steel
Product series	System holder HS