

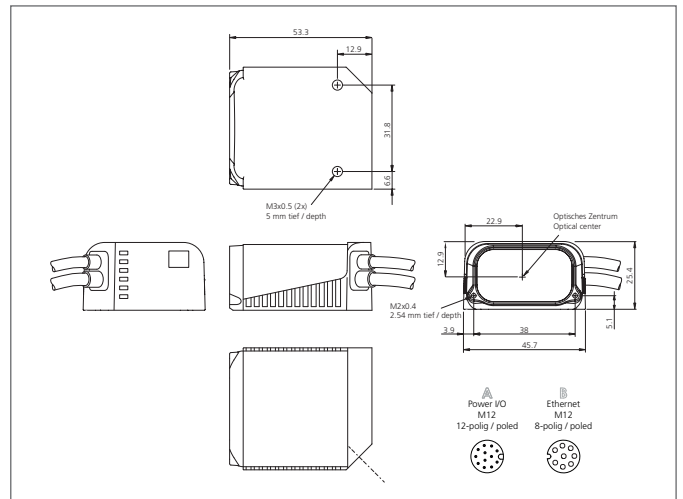
VS-05-BM2-3-ES Vision System

- Integrated with di-soric VS AutoVision software
- Autofocus
- Integrated lighting
- Compact design
- Integrated Ethernet network
- Scaleable system - extended toolset available



Safety instructions

The Instruments are not to be used for safety applications, in particular applications in which safety of persons depends on proper operation of the instruments.
These instruments shall exclusively be used by qualified personnel.



TECHNICAL INFORMATION (typ.)	+20°C, 24V DC
Size	25.4 x 45.7 x 53.3 mm (Dimensions)
Service voltage	10 ... 30 V DC
Internal power consumption	132 mA, (24 V DC)
Resolution	752 x 480 pixel
Trigger input	4,5 ... 28 V DC, 10 mA (28 V DC)
Outputs 1, 2 and 3	1 ... 28 V DC, <100 mA at 24 V DC (current limited by user)
Interface	Ethernet, RS 232
Ambient temperature	0 ... +40 °C
Protection class	IP 54
Connection	Ethernet M12, 8-poled, I/O-Cable M12, 12-poled
Sensor size	1/2"
Protocols	Ethernet / IP, Ethernet TCP / IP, RS 232
Weight	91 g
optical density	High
Image sensor	CMOS (Global shutter)
Focusing	Motor Autofocus
Frame rate	60 images/second (max.)