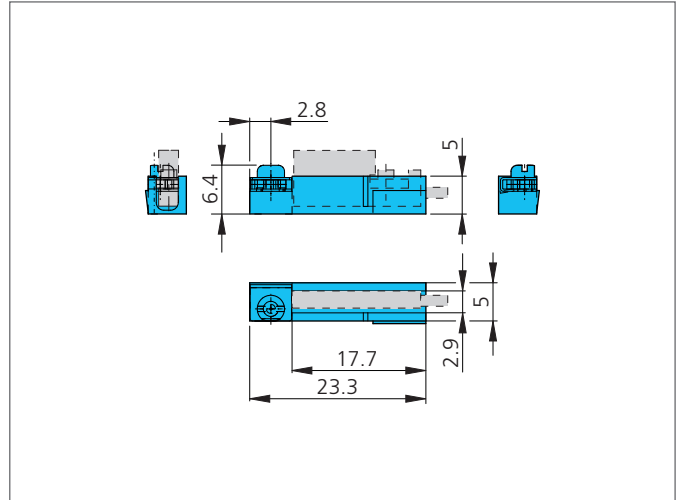
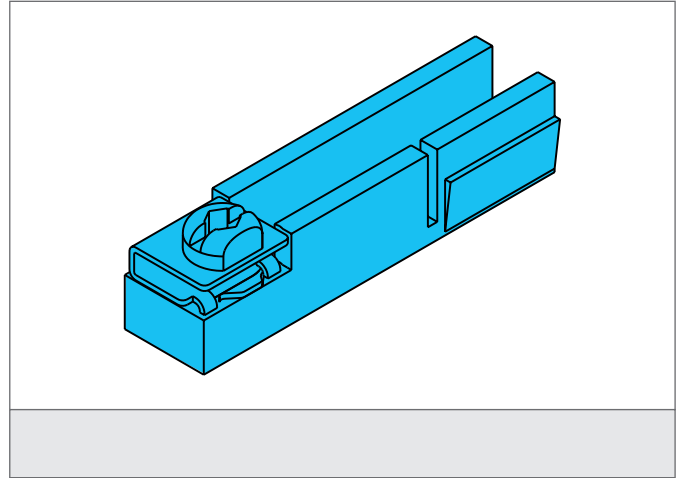


MZ-C-T-18 T-shaped slot adapter



- Easy-to-install
- Robust design



TECHNICAL INFORMATION (typ.)	
Mounting	+20°C, 24V DC at cylinder sensors with T-shaped slot
For	Zylinder sensors MZEC 9-18...
Casing material	Die-cast zinc, stainless steel