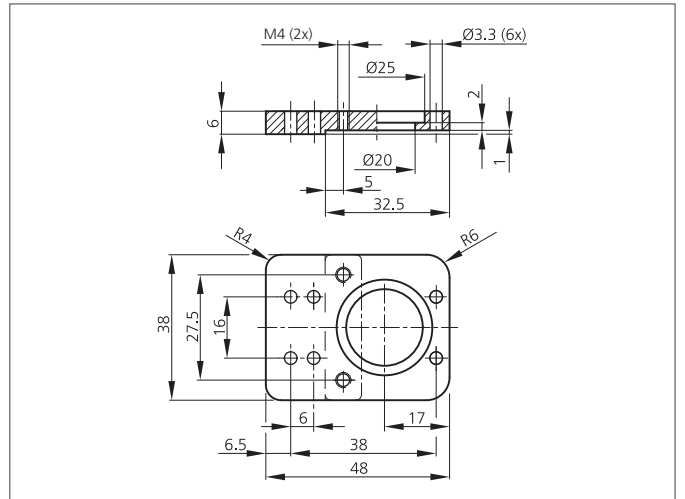
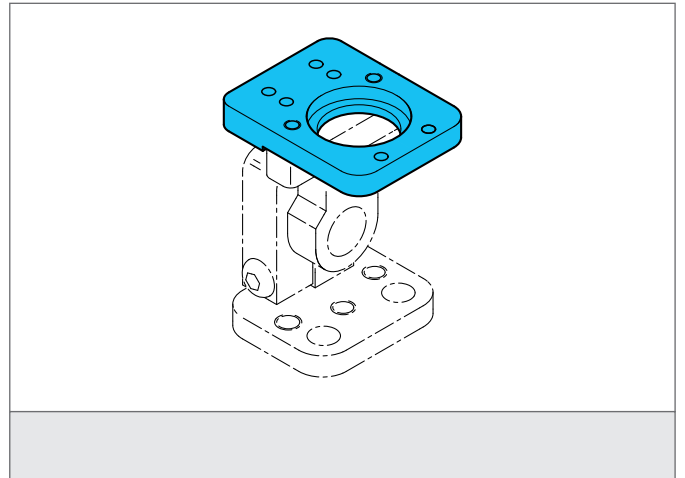


SH-G-CS Mounting plate for CS 50

- Highly flexible versatile mounting system
- All-purpose mounting
- Smooth adjustment
- Robust design



TECHNICAL INFORMATION (typ.)		+20°C, 24V DC
Operation with		Clamping cylinder HS-KL-12-20-V, Mounting bracket CKR-200-BKT
For		CS 50
Casing material		Aluminium black anodized
Product series		System holder HS, System holder SH

