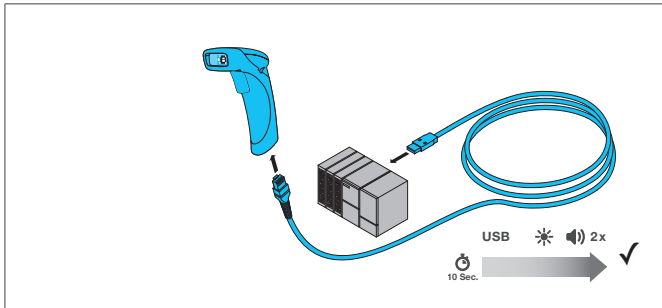


ID-80-IM3-2-U

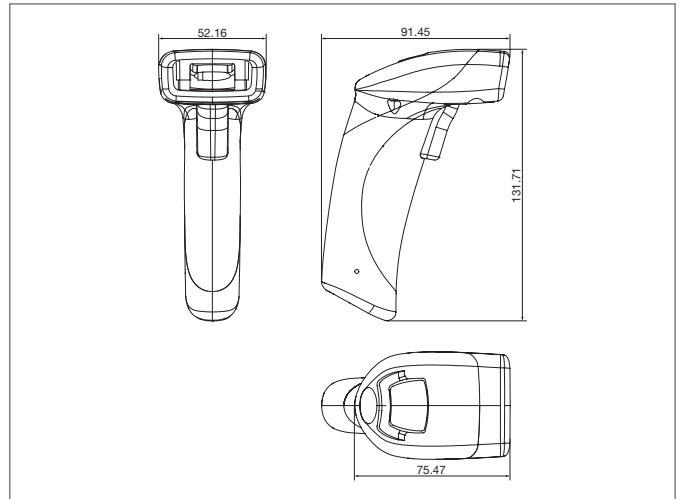
ID-Handheld

- High speed, omnidirectional reading of 1D, 2D and postal codes
- Manual or automatic triggering
- Low weight for fatigue-free working
- Ergonomic design
- Read-feedback by means of LED and audible sound
- 5-year warranty



Safety instructions

The Instruments are not to be used for safety applications, in particular applications in which safety of persons depends on proper operation of the instruments.
These instruments shall exclusively be used by qualified personnel.



| TECHNICAL INFORMATION (typ.) | +20°C, 5V DC |
|------------------------------|---|
| Size | 132 x 52 x 91 mm (Dimensions) |
| Service voltage | 5 V DC |
| Internal power consumption | < 300 mA |
| Resolution | 1.280 x 960 pixel |
| Interface | USB-A (operated with ID-K-RJ50/U-2) |
| Ambient temperature | -20 ... +55 °C |
| Protection class | IP 54 |
| Connection | USB-Cable 1.8 m, (included in delivery) |
| Symbologies - 1D-Codes | Code 11, Code 32, Code 39, Code 93, Code 128, Interleaved 2 of 5, GSI DataBar, BC 412, Codabar, IATA 2 of 5, Hong Kong 2 of 5, Matrix 2 of 5, MSI Plessey, NEC 2 of 5, Plessey, Straight 2 of 5, Telepen, Trioptic, UPC / EAN / JAN |
| Symbologies - 2D-Codes | Data Matrix, Data Matrix Rectangular Extension, QR Code, Micro QR Code, QR Model 1, Aztec Code, GoCode® (protected - additional license required) |
| Symbologies - Stacked codes | PDF 417, Micro PDF, GS1 Composite (CC-A/CC-B/CC-C) |
| Weight | 110 g |
| Position scanner to code | Tilt 180°, Pitch ± 65°, Skew ± 60° |
| Image sensor | CMOS |