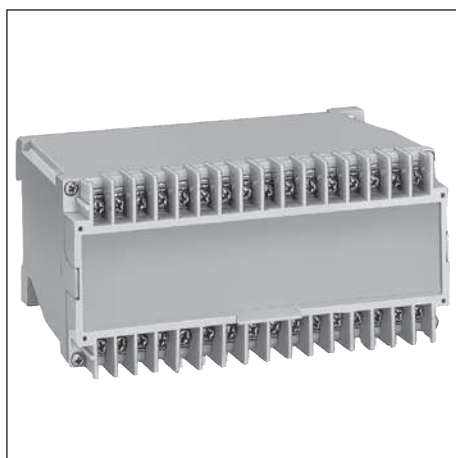
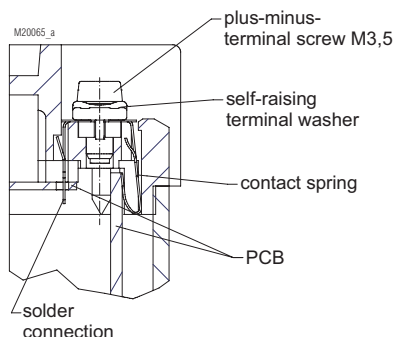


# Insulated Enclosure K70/150A

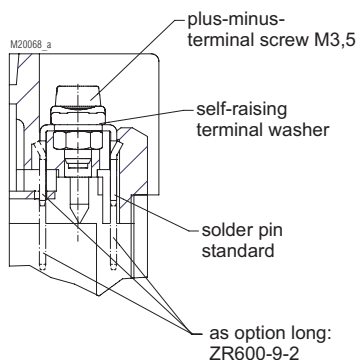
with flat terminals  
for plug-in technology



- Width 150 mm
- Max. 32 plus-minus-terminal screws with self raising terminal washers
- Double contacts for direct insertion of PCB
- PCBs are easy to install because of guiding ribs
- Terminal cover for contact protection complies with VBG 4 as option



Flat terminal for plug-in technology

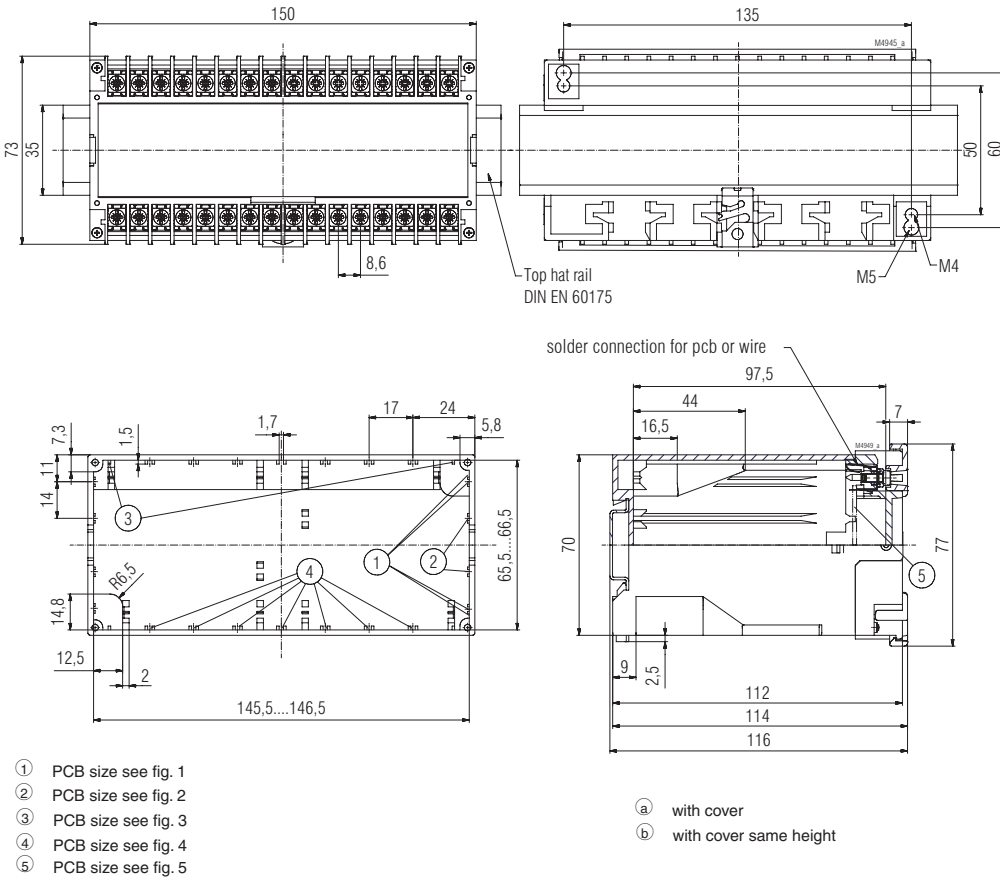


Flat terminal for soldered connection on request

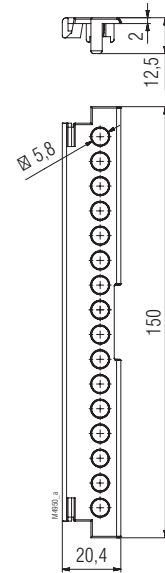
## Technical Data

Order reference:	K70/150A 112-32	
<b>Outer dimensions:</b>	150 x 74 x 112 mm	
with cover:	150 x 78 x 112 mm	
Enclosure material:	PC-GF light grey RAL 7035 (other colour on request)	
Temperature stability:	PC	
complying with UL 746 B:	125 °C	
complying with Vicat		
ISO 306	Meth. B:	148 °C
complying with ISO 75-2	Meth. A:	138 °C
	Meth. B:	144 °C
Max. permitted power dissipation:	at normal climate 23 / 50-1	ISO 554
	Enclosure gap	max. power dissipation $P_v$
	0 ... ∞ mm	20 W
Flame retardancy	V-0	
complying with UL 94:	BH 2-30	
complying with IEC 60707:		
<b>Number of terminals:</b>	32, < 32 on request	
Terminal material:	CuSn6, fire tin-plated	
Max. cross section for connection:	2 x 2.5 mm <sup>2</sup> solid or 2 x 1.5 mm <sup>2</sup> stranded ferruled	DIN 46228-1/-2/-3/-4
Insulation of wires length:	10 mm	
Max. contact resistance to printed circuit board:	10 mΩ	} ≈ 1 W / terminal (power dissipation)
Max. current carrying capacity:	10 A	
Wire fastening:	Plus-minus-terminal screws M3,5, with self-raising terminal washers or faston connector on request	
Torque:	max. 0.8 Nm	
Inner connection:	Direct plugging of printed circuit board (numbered inside) or soldered connection for sleeve B 2.8 complying with DIN 46247-1	
<b>Enclosure fastener:</b>	1) Snap-on fastener on top hat rail EN 60715 2) Screw fixing 2.1) Distance between M4-screws 35 x 50 2.2) Distance between M5-screws 35 x 60	
<b>Creepage current resistance</b>	PC: CTI 175 ≈ insulating material III a IEC 60664-1 PC: CTI 450 ≈ insulating material II IEC 60664-1	
<b>Air gap and creepage distance:</b>	≥ 4.0 mm IEC 60664-1	
Type of protection	IP 40 IEC 60529	
Enclosure:	IP 10 (with terminal cover IP 20 and contact protection complies with VBG 4)	
Terminal board:		
Print area:	35.5 x 95 mm	
<b>Printed circuit board:</b>	see printed circuit design 1) * - 122 cm <sup>2</sup> 2) * - 125.8 cm <sup>2</sup> 3) * - 52.5 cm <sup>2</sup> 4) * - 53 cm <sup>2</sup> 5) * - 59 cm <sup>2</sup> * see drawing on the back	
Printed circuit board holder:	Guide ribs on the small side	
<b>Accessories:</b>	Terminal cover K70/150-0-61: K70/150-0-48: Blanking plug for part insertion K70/150-0-69: Spacer for PCB coding	

## Dimensions

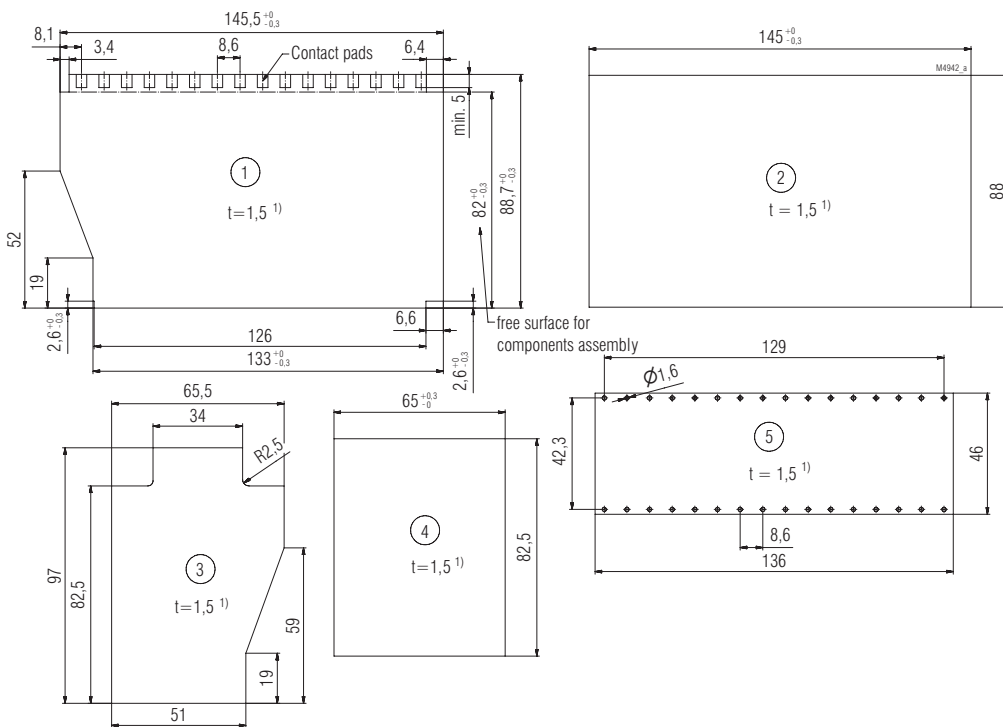


## Accessories

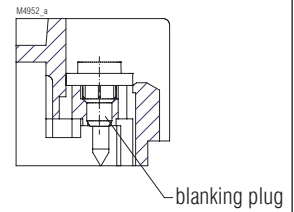


Terminal cover  
K70/150-0-61

## Printed circuit board design



1) Tolerance at DIN EN 60 249-2-4  
General tolerance: PER FAG 2 E



Blanking plug  
K70/150-0-48