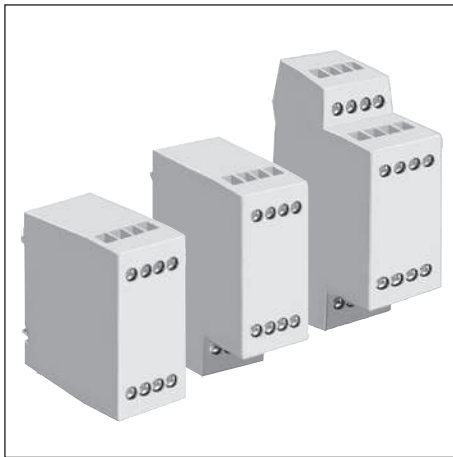
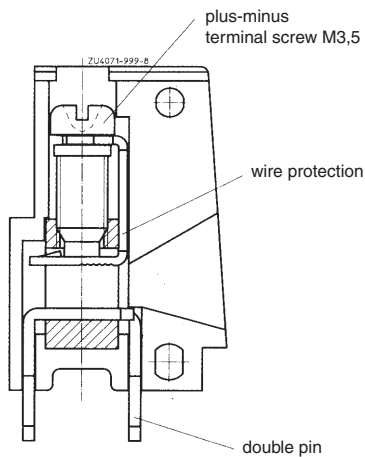


# Insulated Enclosure KO 4077, KO 4078, KO 4079 with box-terminals for machine soldering

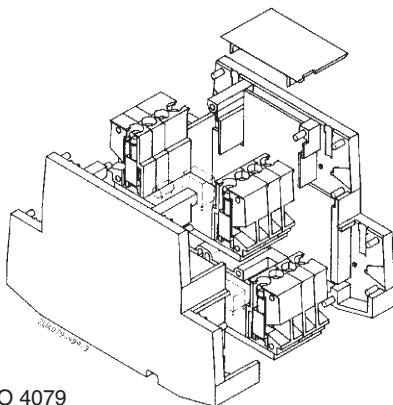


- Width 28 mm
- Optionally with max. 8, 12 or 16 captive plus-minus-terminal screws
- Mounting of pcb's in 3 planes
- With machine solderable double pins
- Optionally with long soldering pin (see drawing "Inner connection")
- Optionally with exchangeable Front

Supplied unassembled, in kit form. Terminals mounted in connection blocks.



Box terminals with machine-solderable double pins



KO 4079

## Technical Data

Order reference:

Insulated Enclosure with double pin without fixed front plate:	KO 4077.0038250	KO 4078.0038251	KO 4079.0038252
with opaque removable front plate	KO 4077.0039219	KO 4078.0039223	KO 4079.0039225
with clear removable front plate	KO 4077.0039220	KO 4078.0039224	KO 4079.0039226
Insulated Enclosure with long soldering pin without fixed front plate:	KO 4077.0038787	on request	on request
with opaque removable front plate	KO 4077.0039221	on request	on request
with clear removable front plate	KO 4077.0039222	on request	on request

### Outer dimensions:

KO 4077:	28 x 60 x 60 mm
KO 4078:	28 x 75 x 60 mm
KO 4079:	28 x 90 x 60 mm

Enclosure material: PC-GF, light grey RAL 7035

Temperature stability	
complying with UL 746 B:	125 °C
complying with Vicat ISO 306	Meth. B: 148 °C
compl. with ISO 75-2	Meth. A: 138 °C Meth. B: 144 °C

Max. permitted power dissipation: at normal climate 23/50-1 ISO 554  
4 W | 4 W | 4 W

Flame retardancy  
complying with UL 94: V-0  
complying with IEC 60 707: BH 2-30

### Number of terminals

KO 4077:	8	} less on request
KO 4078:	12	
KO 4079:	16	

Terminal material: CuSn tin-plated

Max. cross section for connection: 4 mm<sup>2</sup> solid  
2.5 mm<sup>2</sup> stranded ferruled DIN 46 228-1/-2/-3  
2 x 1.5 mm<sup>2</sup> stranded ferruled DIN 46 228-1/-2/-3  
1.5 mm<sup>2</sup> stranded ferruled DIN 46 228-4

Insulation of wires length: 8 mm

Max contact resistance to  
Printed circuit board: 10 mΩ  
Max. current carrying capacity: 16 A

Wire fastening: captive plus-minus-terminal screws M3.5  
Box terminals with self-raising wire protection

Torque: max. 0.8 Nm

Inner connection: machine solderable double pins for PCB  
optionally with long soldering pin

Enclosure fastener: Snap-on fastener on top hat rail EN 50 022

Tracking current resistance: CTI 175 ≅ insulating material III a IEC 60 664-1

Air gap and creepage distances: ≥ 3.3 mm

Type of protection

Enclosure: IP 40 IEC 60 529  
Terminal strip: IP 20 IEC 60 529

contact protection complies with VBG 4

Print area: 33 x 27 mm

### Printed circuit board horizontal

top	10.8 cm <sup>2</sup>	10.8 cm <sup>2</sup>	10.8 cm <sup>2</sup>
bottom	11.6 cm <sup>2</sup>	14.4 cm <sup>2</sup>	17.2 cm <sup>2</sup>

Printed circuit board vertical 23.0 cm<sup>2</sup> | 23.0 cm<sup>2</sup> | 23.0 cm<sup>2</sup>

Printed circuit board holder

horizontal: Guide ribs in enclosure  
vertical: 2 cylindrical M2x3 ISO 1207  
(not included in delivery)

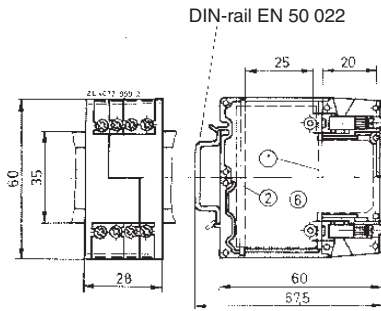
Net weight 53 g | 68 g | 73 g

### Accessories:

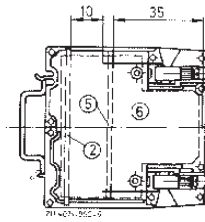
KO 4074-4.1: Terminal block with single solder pins, on request  
KO 4074-4.2: Terminal block with solder lugs, on request  
KO 4074-4.3: Terminal block with double pins  
KO 4074-4.4: Terminal block with long solder pins  
KO 4721-7-1.6: Blanking plug for part insertion

## Dimensions

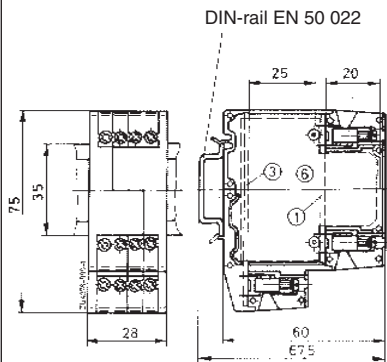
KO 4077.0038250  
with double pin



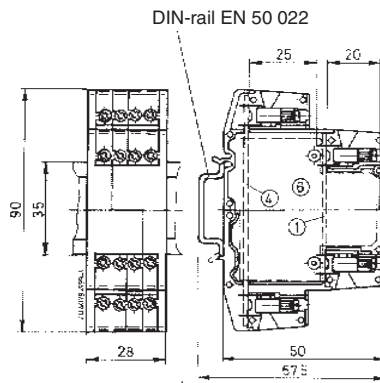
KO 4077.0038787  
with long soldering pin



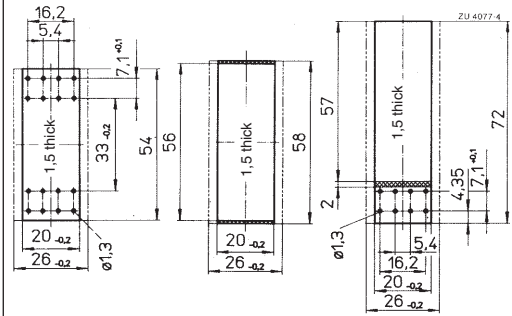
KO 4078.0038251  
with double pin



KO 4078.0038252  
with double pin



## Printed circuit board design



f. KO 4077/78/79

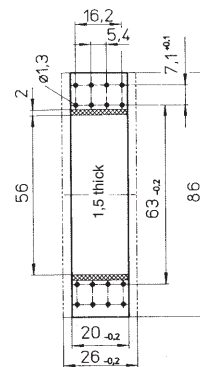
①

f. KO 4077

②

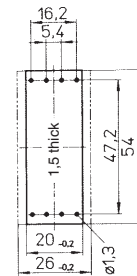
f. KO 4078

③



f. KO 4079

④

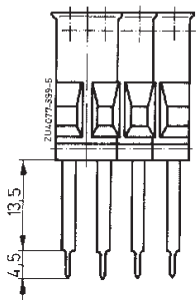
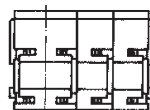


f. KO 4077 with l. solder pin

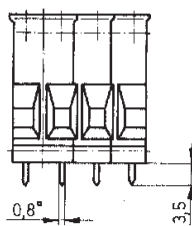
⑤

both sides  
free of  
components

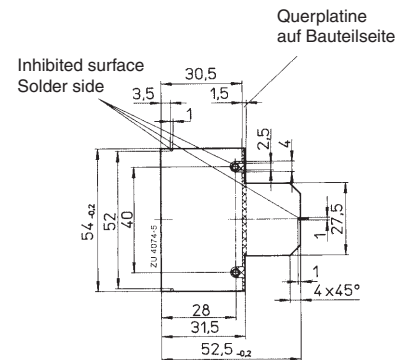
## Inner connection



KO 4074-4.4  
long solder pins



KO 4074-4.3  
double pins



f. KO 4074/75/76/77/78/79

⑥

If ⑥ not used

① - ⑤: 20.±0.2 becomes 26.±0.2