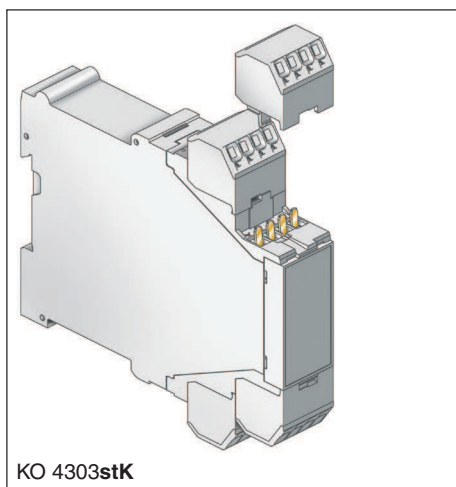


Insulated Enclosure KO 4300stK

removeable terminal blocks with spring cage clamps
for machine soldering technology



Approvals and Markings

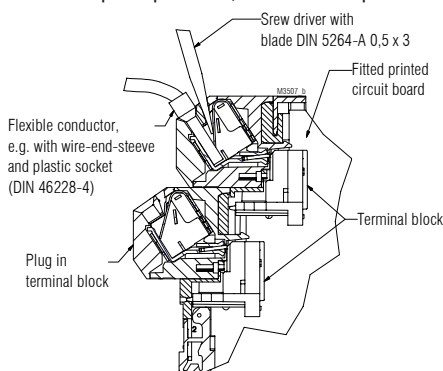


Your Advantages

- modular, flexible
- various connection technologies
- distinctive design
- individual customisation

Features

- Width 22.5 mm / 45 / 67.5 / 90 mm
- Max. 16 / 32 / 48 / 64 spring cage clamps
- Large, variable front plate surface
- Max. current carrying capacity 16 A
- Machine soldered terminal block, use of heat-resistant plastic means no cover for the terminal block facing the soldering bath is required
- Easy and quick connecting of conductors: solid wire and flexible wire with end ferrule can be inserted directly (saving of time in comparison to screw terminals: 50 - 80 %)
- Easy removing of conductors (put in a screwdriver according to DIN 5264-A 0.5 x 3)
- High spring force for a secure connection
- Printed circuit board density t = 1.5 mm and 1 mm possible
- More option possible, see "Other options"



Technical Data

Width [mm]	Depth [mm]	Order references	Article-No.:	Version
22,5	118	KO4303stK.	0055677	Standard
			0066662	UL
	97	KO4323stK.	0055688	Standard
45	118	KO4304stK.	0060524	Standard
			0066664	UL
	97	KO4324stK.	0060527	Standard
67,5	118	KO4305stK.	0060525	Standard
			0066666	UL
	97	KO4325stK.	0060528	Standard
90	118	KO4306stK.	0060526	Standard
			0066668	UL
	97	KO4326stK.	0060529	Standard
			0066669	UL

Enclosure material:
Standard version:

PC-GF, light gray RAL 7035
(base plug in terminal block, side part and front plate)
PA4/6, natur (terminal block)
as well as standard, but plug in terminal block and side part in PA66/6, light gray RAL 7035

Version UL

Temperature stability	PC	PA66/6	PA4/6
complying with UL 746 B:	125 °C	120 °C	120 °C
complying with Vicat ISO 306	Meth. B: 148 °C	230 °C	290 °C
compl. with ISO 75-2	Meth. A: 138 °C Meth. B: 144 °C	225 °C 235 °C	290 °C 290 °C

Max. permitted power dissipation: see diagrams

Specific thermal resistance:

KO 4303stK; 04stK; 05stK: $R_{th} = 6.5 \text{ K/W}; 5.5 \text{ K/W}; 4.2 \text{ K/W}$
KO 4323stK; 24stK; 25stK: $R_{th} = 9.0 \text{ K/W}; 6.5 \text{ K/W}; 5.4 \text{ K/W}$

Flame retardancy compl. with UL 94: V-0

Number of terminals: 16

Terminal material: steel strip (Spring made of stainless steel)

Max. cross section for connection

solid / stranded:	mm ²	1 x 0,5 ... 2,5 / 0,5 ... 2,5	1 x 4 / 4
stranded ferruled, without or with plastic sleeve	mm ²	1 x 0,5 ... 1,5	1 x 2,5
stranded twin ferruled and plastic sleeve	mm ²	1 x 0,5 ... 1,0	1 x 1,5
stripping length/length of ferrule	mm	10 ... 12	12

Max. contact resistance to printed circuit board:

10 m Ω

Max. current carrying capacity:

16 A; US: 15 A; CN: 15 A

Wire fastening:

Spring cage clamp

Inner connection:

Terminal block can be machine soldered

Enclosure fastener:

Snap-on fastener on top hat rail IEC/EN 60 715

Creepage resistance:

Version Standard:

CTI 175 ≙ insulating material III a IEC 60 664-1
CTI 250 - 400 ≙ insulating material III a IEC 60 664-1
same as standard, but the plug in terminal block and side-part CTI 550 ≙ insulating material II IEC 60 664-1

Version UL:

Air gap and creepage distance:

≥ 4,0 mm

IEC 60 664-1

Type of protection

Enclosure:

IP 40

IEC 60 529

Terminal strip:

IP 20

IEC 60 529

contact protection complies with VBG 4

Technical Data

Print area:

see dimensions

Printed circuit board:

See printed circuit board design

Printed circuit board holder:

Guide ribs in base

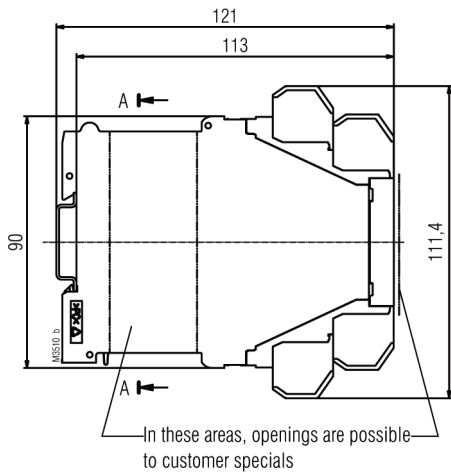
Other options:

- Variable equipping level
- With ground terminal to top hat rail
- Side openings, e. g. for bus connection or ventilation slots
- Openings in base, e. g. for bus connection to top hat rail
- Variable front plate

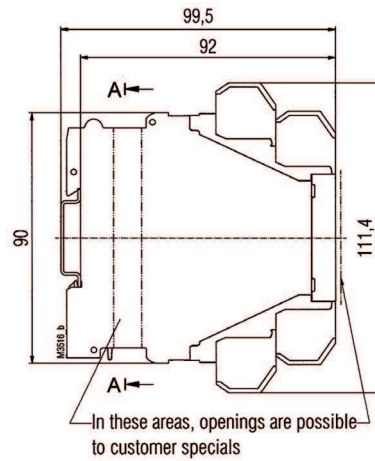
**More informationen
see brochure G23**

Dimensions

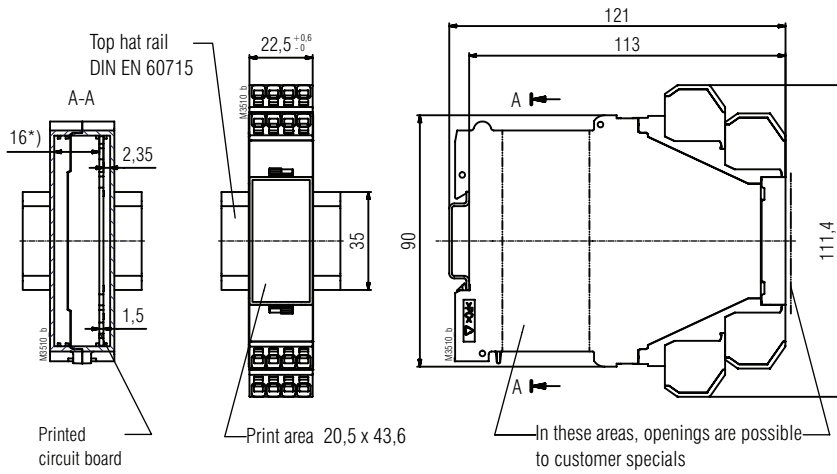
KO 430_stK



KO 432_stK

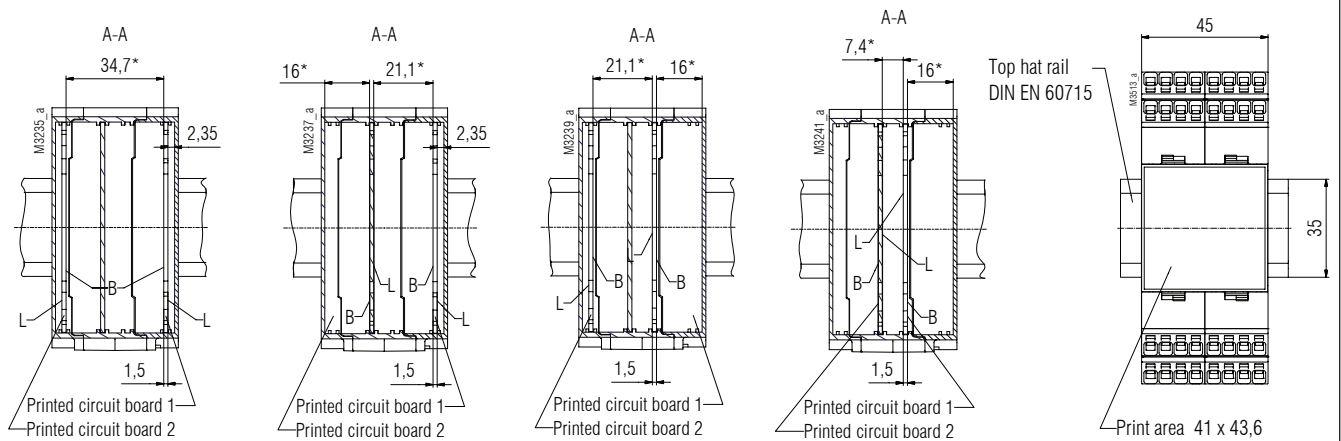


Printed circuit board configuration KO 4303stK / KO 4323stK



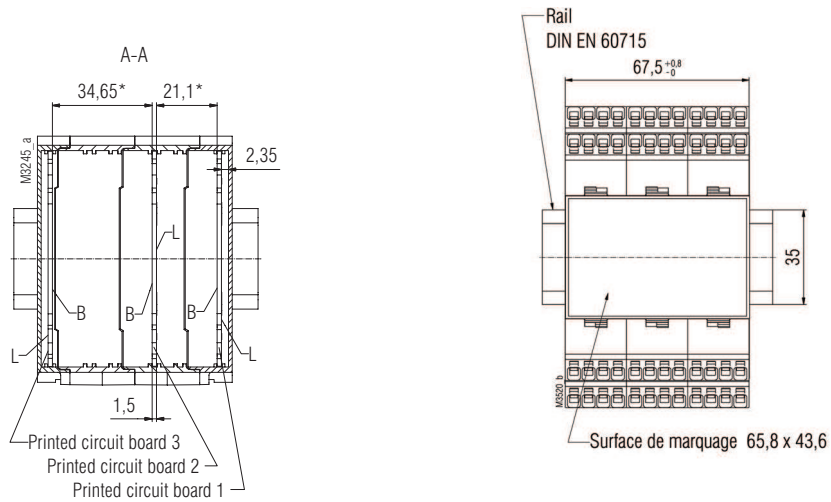
*) 16,5 with printed circuit board thickness $t = 1$ mm

Printed circuit board configuration KO 4304stK / KO 4324stK

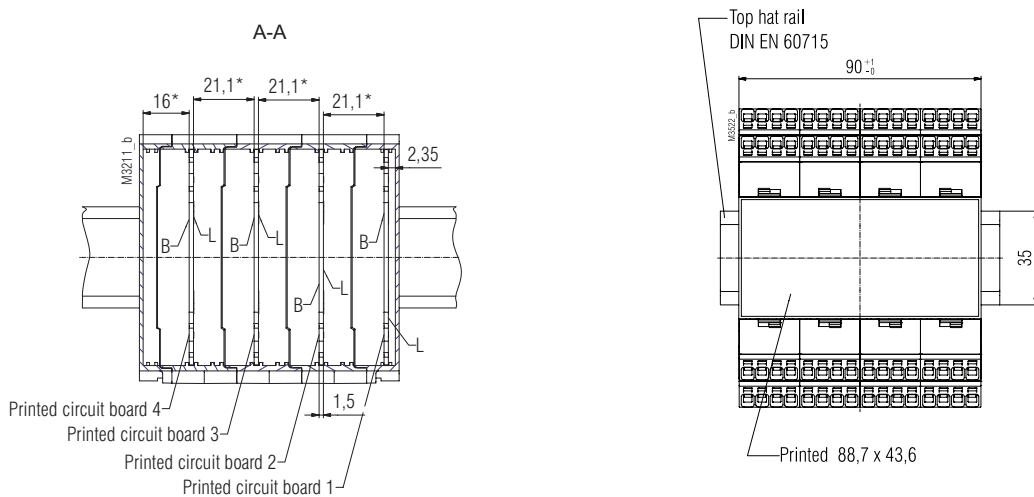


Dimensions

Printed circuit board configuration KO 4305stK / KO 4325stK

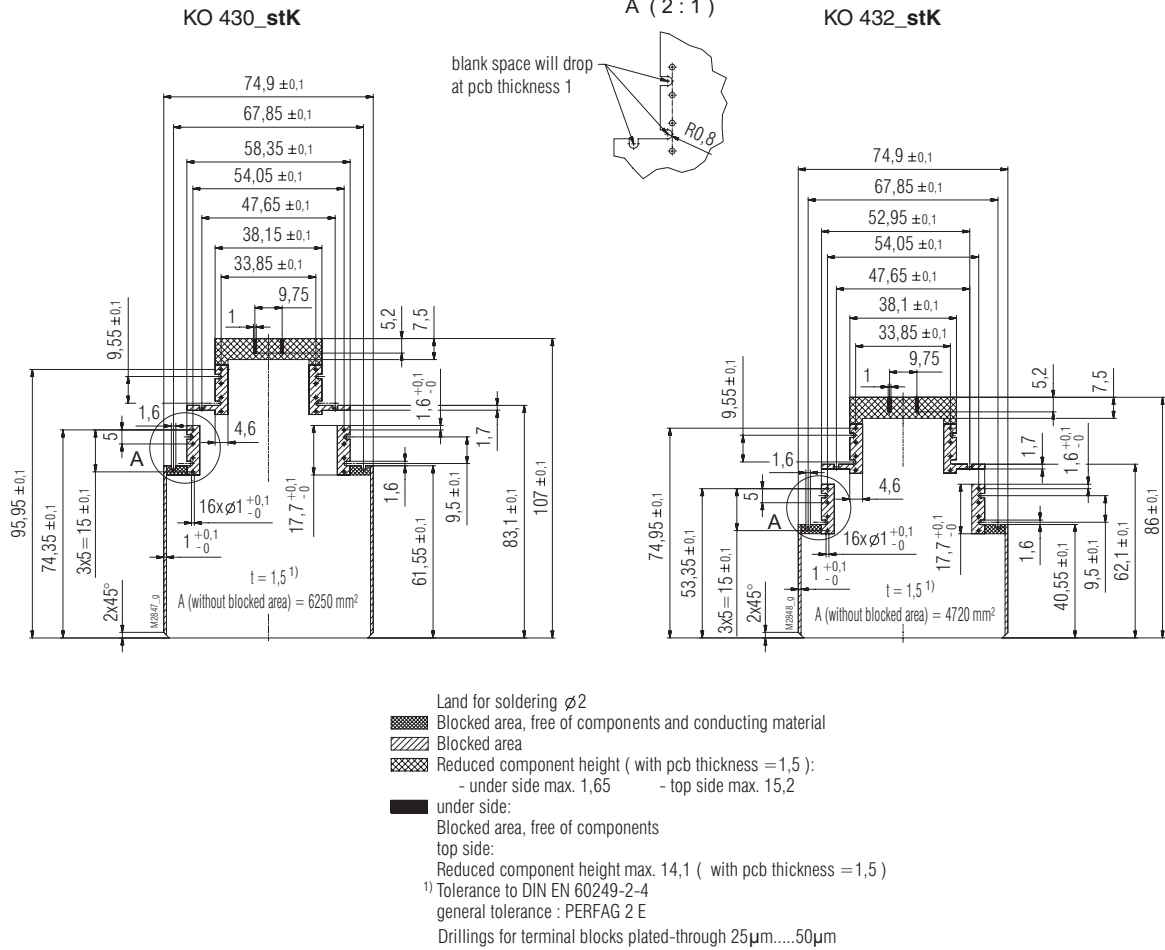


Printed circuit board configuration KO 4306stK / KO 4326stK

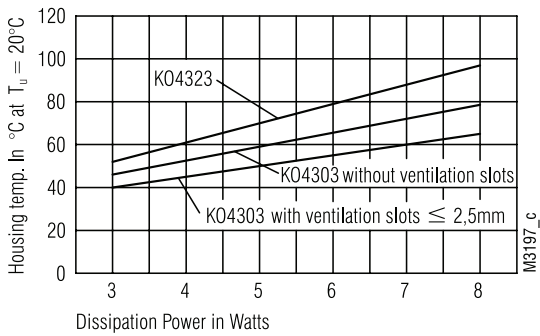


B = Component side
 L = Solder side
 * = component height
 other printed circuit board configuration are possible

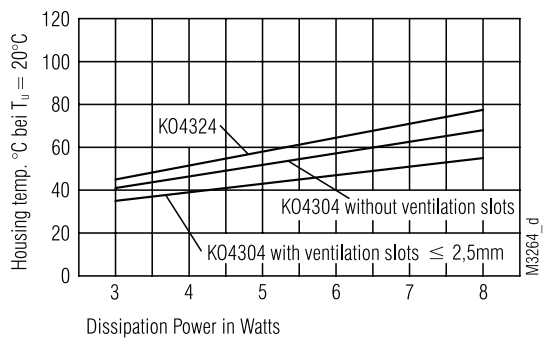
Printed circuit board design



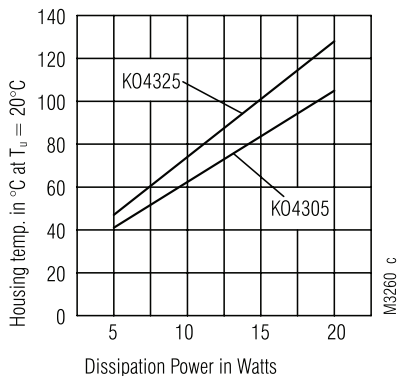
Diagrams (Thermal Resistance)



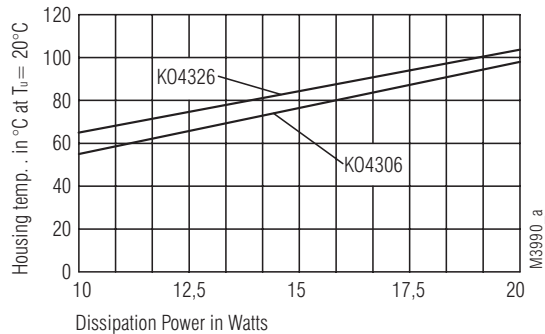
KO 4303stK, KO 4323stK



KO 4304stK, KO 4324stK



KO 4305stK, KO 4325stK

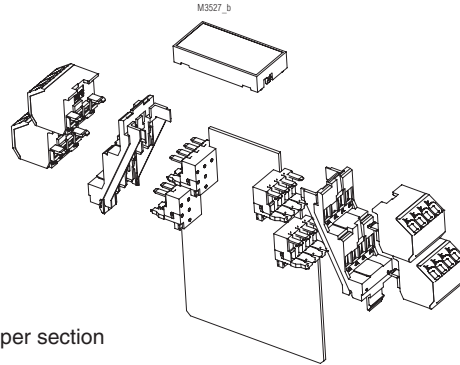
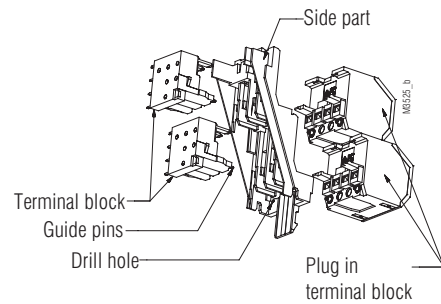


KO 4306stK, KO 4326stK

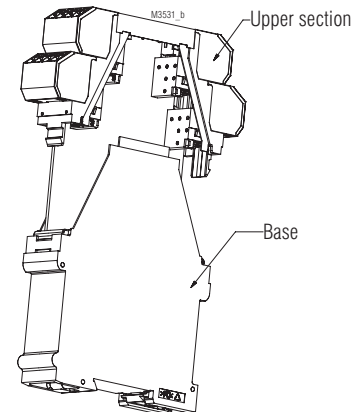
Notes on Housing Installation

1. Installation of upper section

- Place all assemblies on a level surface.
- Push the side parts over the terminal blocks of the equipped printed circuit board; in doing so, the guide pins of the terminal blocks must slide into the drilled holes in the side parts
- Snap the front plate onto the premounted side parts
- Installation of the removeable terminal blocks (plug in)



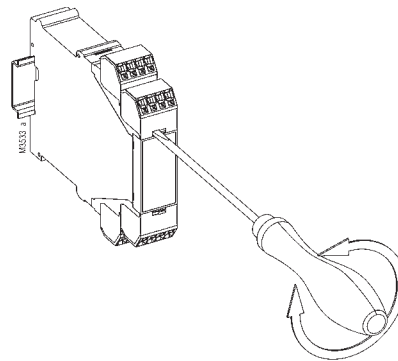
- Place all assemblies on a level surface.
- Slide the printed circuit board of the upper section into the guide grooves of the base.
- When placing the hood and upper section together, ensure that the wall areas overlap correctly. The guide element of the base must slide into the guide recess of the upper section.



Notes on Housing Deinstallation

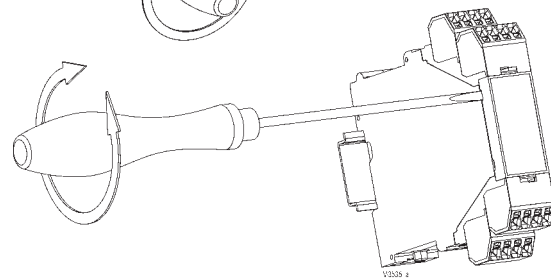
1. Deinstallation of the removeable terminal blocks

- Insert a screwdriver in the side recess of the front plate and removeable terminal block.
- Turn the screwdriver to the right and left.



2. Removing the front plate

- Insert a screwdriver in the side recess of the front plate.
- Turn the screwdriver to the right and left.



3. Removing the upper section

- Insert a screwdriver in the snap fastener of the base as far as it will go.
- With a tilting movement, release the snap fastening.
- Pull the upper section with the printed circuit board out of the base.

