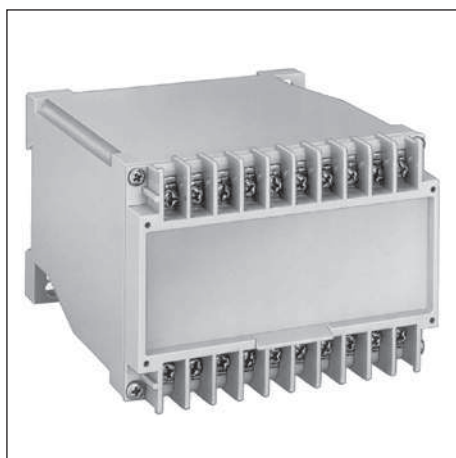
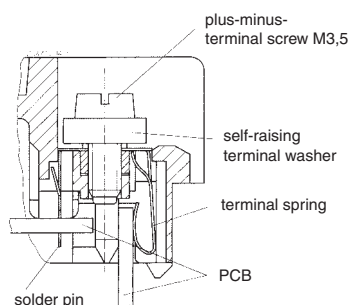


Insulated Enclosure KO 4710

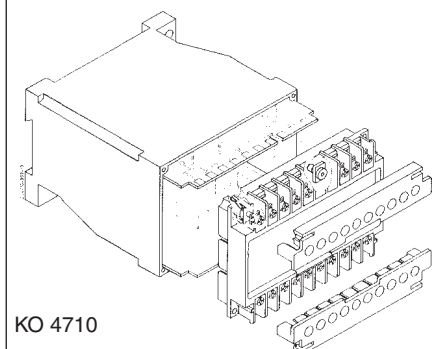
with flat terminals
for plug-in technology



- Width 100 mm
- Max. 20 plus-minus-terminal screws with self raising terminals washers
- PCBs are easy to install because of guiding ribs
- Terminal cover for contact protection complies with VBG 4 as option



Flat terminal for plug-in technology



KO 4710

Technical Data

Order reference: KO 4710.112.20.02.000

Outer dimensions: 100 x 74 x 114 mm
with cover: 100 x 78 x 114 mm

Enclosure material: PC
Terminal plate: PC-GF lichtgrau RAL 7035
Base: PC-GF lichtgrau RAL 7035
Special version: PC-GF lichtgrau RAL 7035 (other colour on request)

Temperature stability:	PC	PA
complying with UL 746 B:	125 °C	60 °C
complying with Vicat		
ISO 306 Meth. B:	148 °C	86 °C
compl. with ISO 75-2 Meth. A:	138 °C	87 °C
Meth. B:	144 °C	92 °C

Max. permitted power dissipation: at normal climate 23 / 50-1 ISO 554

	Enclosure gap	Power dissipation P_v
Standard version:	0 mm	15 W
	6 mm	18 W
	∞	19 W
Special version PC:	0 mm	23 W
	6 mm	26 W
	∞	29 W

Flame retardancy complying with UL 94: V-0
complying with IEC 60 707: BH 2-30

Number of terminals: 20, < 20 on request

Terminal material: CuSn6, fire-plated

Max. cross section for connection: 2 x 2,5 mm² solid
2 x 1,5 mm² stranded ferruled DIN 46 228-1/-2/-3/-4

Insulation of wires length: 10 mm

Max. contact resistance to printed circuit board: 10 mΩ
Max. current carrying capacity: 10 A } ≈ 1 W / terminal (Power dissipation)

Wire fastening: Plus-minus-terminal screws M3,5, with self-raising terminal washers

Connection inside: Direct plugging of printed circuit board (numbered inside) or soldered connection

Enclosure fastener: 1) Snap-on fastener on top hat rail EN 50 022
2) Screw fixing
2.1) Distance between M4-screws 35 x 50
2.2) Distance between M5-screws 35 x 60

Creepage current resistance: CTI 175 \approx insulating material III a IEC 60 664-1

Air gap and creepage distance: $\geq 4,0$ mm IEC 60 664-1

Type of protection IEC 60 529

Enclosure: IP 40
Terminal board: IP 10 (with terminal cover IP 20 and contact protection complies with VBG 4)

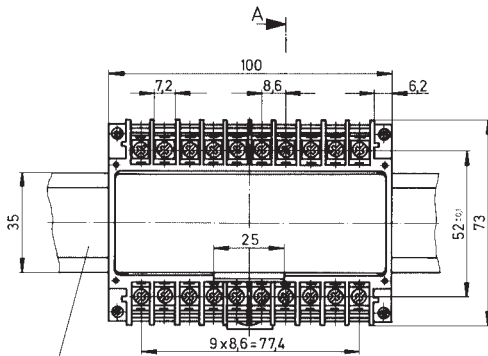
Print area: 35,5 x 95 mm

Printed circuit board: see Printed circuit design
1) * - 73 cm²
2) * - 41 cm²
3) * - 81 cm²
4) * - 52,5 cm²
5) * - 52 cm²
* see drawing on the back

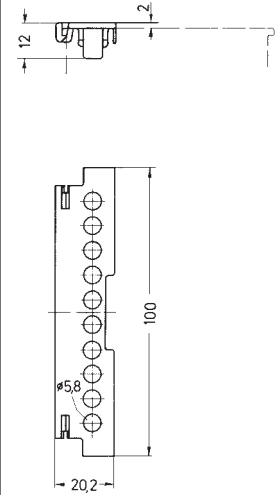
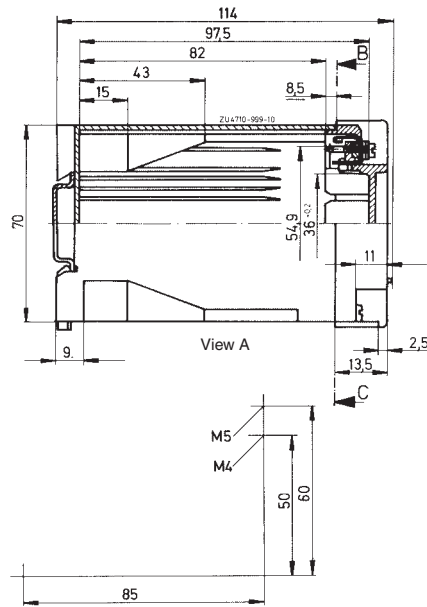
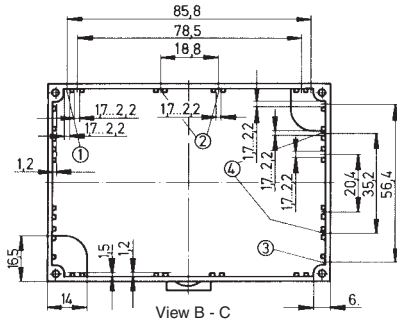
Printed circuit board holder: Guide ribs on all sides

Accessories:
K70/100-0-16: Terminal cover
K70/150-0-48: Blanking plug for part insertion
K70/150-0-69: Spacer for PCB coding

Dimensions



DIN-rail
EN 50 022



Terminal cover
K70/100-0-16

- ① PCB size see fig. 1
- ② PCB size see fig. 2
- ③ PCB size see fig. 3
- ④ PCB size see fig. 4
- ⑤ PCB size see fig. 5

Printed circuit board design

