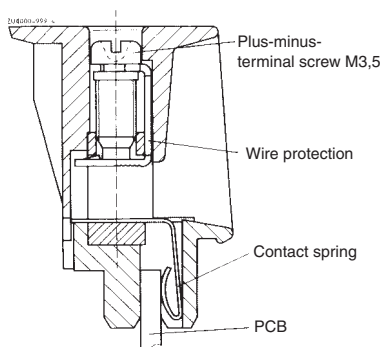


Insulated Enclosure KO 4721

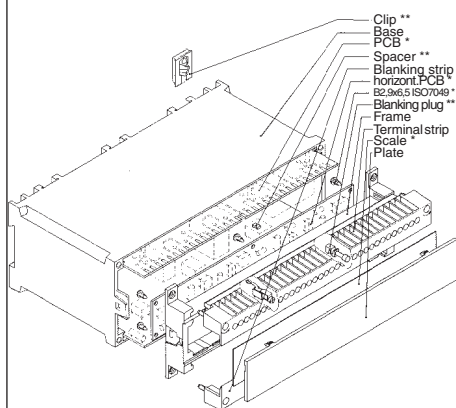
with box-terminals
for plug-in technology



- Width 200 mm
- Max. 66 box-terminals with hochgedrehten captive plus-minus terminal screws
- Removable, mixed up terminal strip for plug-in connection with PCB
- Optionally with Blanking strips ET 4720-37.1 or terminal strips with only 21 box terminals
- With screwdriver guides and entry guides for connection wiring
- PCBs are easy to install because of guideing ribs



Box terminal for plug-in technology



* not included in deliveries
** see accessories

Technical Data

Order references:

Front colour	beige	light grey RAL 7035	blue RAL 5015	Enclosure variant with
KO 4721.118.66.02	.000	.108	.111	front plate
KO 4721.118.66.02	.102	.109	.112	platte
KO 4721.118.66.02	.103	.110	.113	platte clear

Outer dimensions: 200 x 73,2 x 118,2 mm
Enclosure material: PC-GF, base black, front colour see table

Temperature stability:	
complying with UL 746 B:	125 °C
complying with Vicat	
ISO 306 Meth. B:	148 °C
compl. with ISO 75-2 Meth. A:	138 °C
Meth. B:	144 °C

Max. permitted power dissipation: approx. 40 W for stand-alone enclosure at normal climate 23/50-1 ISO 554

Specific thermal resistance: $R_{th} = 2.5 \text{ K / W}$ for stand-alone enclosure

Flame retardancy:
 complying with UL 94: V-0; Plate clear = V-2
 complying with IEC 60 707: BH 2-30

Number of terminals: 66; < 66 on request

Terminal material: CuSn6 tin-plated

Max. cross section for connection:
 each 1 x 4 mm² solid
 each 1 x 2,5 mm² stranded ferruled DIN 46 228-1/-2/-3/-4
 each 2 x 1,5 mm² stranded ferruled DIN 46 228-1/-2/-3/-4
 10 mm

Insulation of wires length:

Max. contact resistance to printed circuit board: 10 mΩ } $\cong 1 \text{ W / terminal power dissipation}$

Max. current carrying capacity: 10 A

Wire fastening: captive plus-minus terminal screws M3.5 with self raising terminal washers, terminal strip can be removable separately

Torque: max. 0.8 Nm

Inner connection: Direct connection on PCB, solder connection possible

Enclosure fastener:
 1) Snap-on fastener on top hat rail EN 50 022
 2) Screw fixing M4, grid 80 mm

Creepage current resistance: CTI 175 \cong insulated material III a IEC 60 664-1

Air gap and creepage distance: $\geq 4 \text{ mm}$ IEC 60 664-1

Type of protection:
 Enclosure IP 40 IEC 60 529
 Terminals IP 20 IEC 60 529

contact protection complies with VGB 4

Print area: 33 x 200 mm (on front plate)

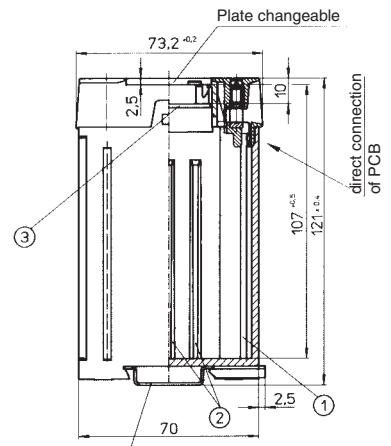
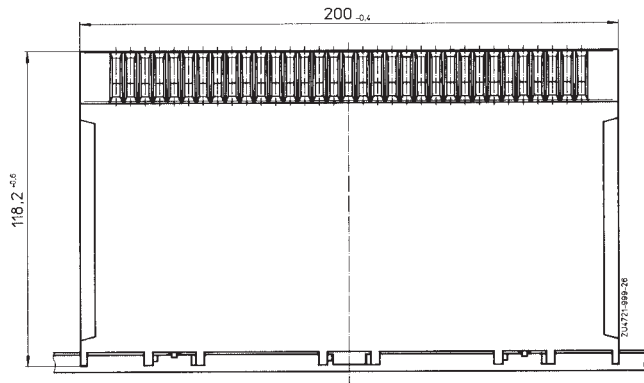
Printed circuit board: see printed circuit design

Printed circuit board holder: Guide ribs on the small side and on the enclosure bottom for 5 PCBs

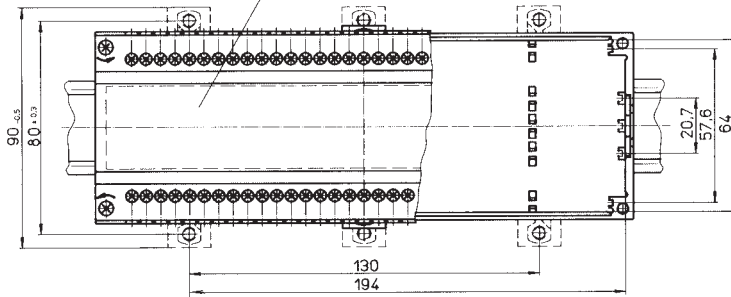
Net weight: approx. 470 g

Accessories:
 ET 4072-1-2: Clip for screw fixing
 ET 4721-8-1: Spacer for PCB coding
 ET 4720-37.1: Blanking strip beige
 ET 4720-37.2: Blanking strip grey
 ET 4720-37.3: Blanking strip blue
 KO4721-7-1.22: Blanking plug clear

Dimensions

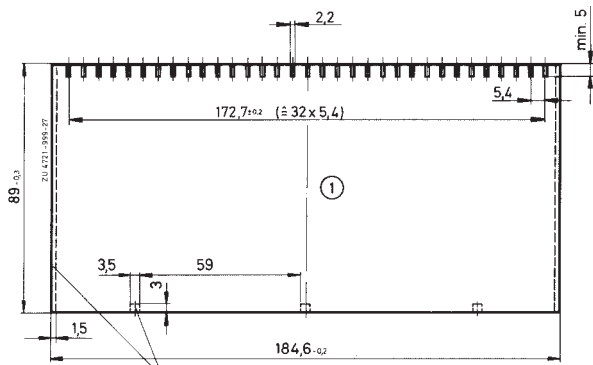


In this area 31x192 openings and ribs are possible to customers specification

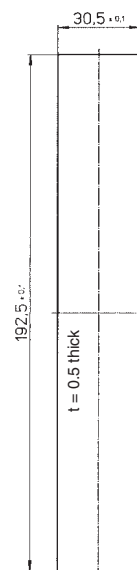
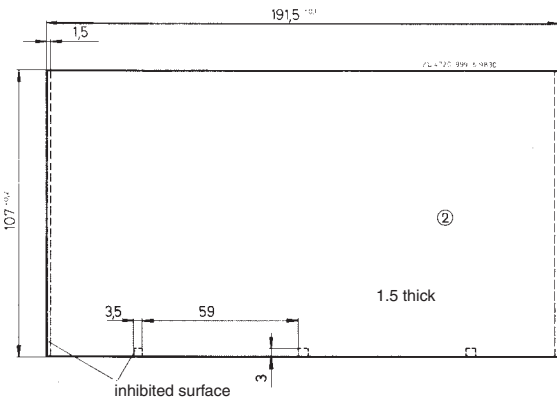
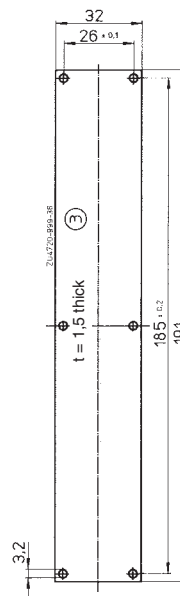


top hat rail
EN 50 022

Printed circuit board design



horizontal PCB

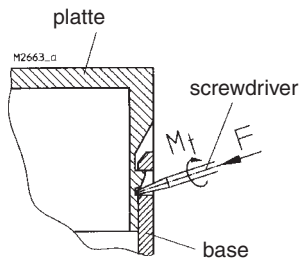
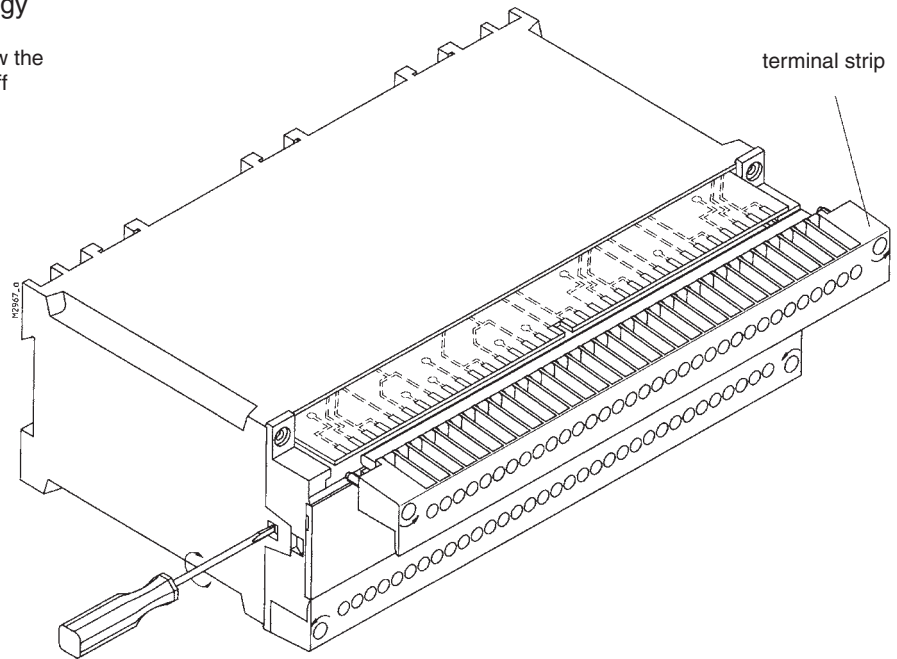


Tolerance complying with IEC 60 249-2-4

Scale

Enclosure for plug-in technology

To remove the front plate first unscrew the terminal strips fixing screws and lift off the terminal strips.



To remove front-frame insert an 0.8 x 4.0 or 0.8 x 4.5 screwdriver into the side recess, on the hood, and turn lightly to the left or right until the snap-in lug disengages. Repeat in the opposite side.

