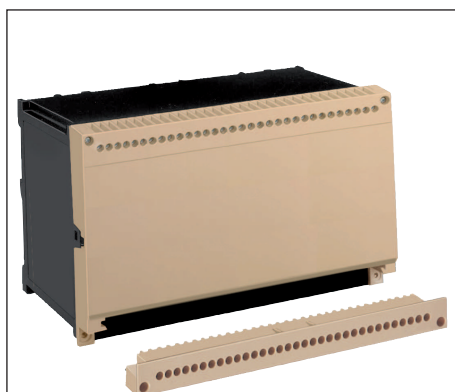


Insulated Enclosure KO 4723

with box-terminals
for plug-in technology



KO 4723.118.66.03.000



KO 4723.138.132.04.000

- Width 200 mm
- Optionally max. 66 or 132 terminals washers with high torque, captive plus-minus-terminal screws
- With removable, mixed up terminal strip for plug-in connection with PCB
- Optionally with blanking strips ET 4720-37.1 or box terminals with only 21 terminal washers
- With screwdriver guides and entry guides for connection wiring
- PCBs are easy to install because of guideing ribs

Technical Data

Order references:

Front colour	beige	light grey RAL 7035	blue RAL 5015	Enclosure variant with
Solder pin straight:				
KO 4723.118.42.01	.001	.011	.012	plate
KO 4723.118.84.02	.001	.005	.006	plate

Outer dimensions:

KO 4723.118.66.03.000: 200 x 123.2 x 118.2 mm

KO 4723.138.132.04.000: 200 x 123.2 x 137.5 mm

Enclosure material: PC-GF, base black, front colour see table

Temperature stability:

complying with UL 746 B: 125 °C

complying with Vicat

ISO 306 Meth. B: 148 °C

compl.with ISO 75-2 Meth. A: 138 °C

Meth. B: 144 °C

Max. permitted power dissipation: 55 W for stand-alone enclosure at normal climate 23/50-1 ISO 554

Specific thermal resistance: $R_{th} = 2 \text{ K} / \text{W}$ for stand-alone enclosure

Flame retardancy:

complying with UL 94: V-0; Plate clear = V-2

complying with IEC 60 707: BH 2-30

Number of terminals:

KO 4723.118.66: 66; < 66 on request

KO 4723.138.132: 132; < 132 on request

Terminal material: CuSn6 tin-plated

Max. cross section for connection: 1 x 4 mm² solid
2 x 1.5 mm² stranded ferruled DIN 46 228-1/-2/-3/-4
1 x 2.5 mm² stranded ferruled DIN 46 228-1/-2/-3/-4
10 mm

Insulation of wires length:

Max. contact resistance to printed circuit board: 10 mΩ } $\cong 1 \text{ W} / \text{terminal power dissipation}$

Max. current carrying capacity: 10 A }

Wire fastening: captive plus-minus terminal screws M3.5 with self raising terminal washers, terminal strip can be removable separately

Torque: max. 0.8 Nm

Inner connection: Direct connection on PCB, solder connection possible

Enclosure fastener:

1) Snap-on fastener on top hat rail EN 50 022 x 15

2) Screw fixing M4, grid 130 x 130 mm

Creepage current resistance: CTI 175 \cong insulated material III a IEC 60 664-1

Air gap and creepage distance: $\geq 3.3 \text{ mm}$ IEC 60 664-1

Type of protection: Enclosure IP 40 IEC 60 529

Terminals IP 20 IEC 60 529

contact protection complies with VGB 4

Print area:

KO 4723.118: 83 x 200 mm (on front plate)

KO 4723.138: 43 x 200 mm (on front plate)

Printed circuit board: see printed circuit design

Printed circuit board holder: Guide ribs on the small side and on the enclosure bottom for 5 PCBs

Net weight:

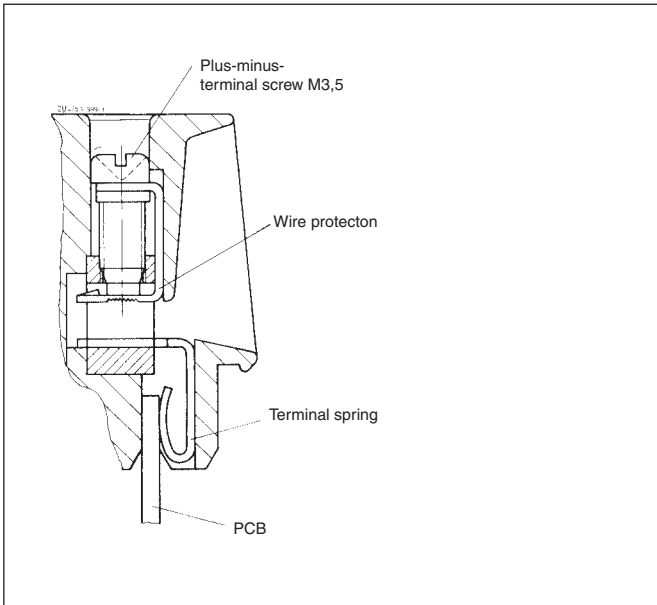
with 66 terminals: approx. 580 g

with 132 terminals: approx. 790 g

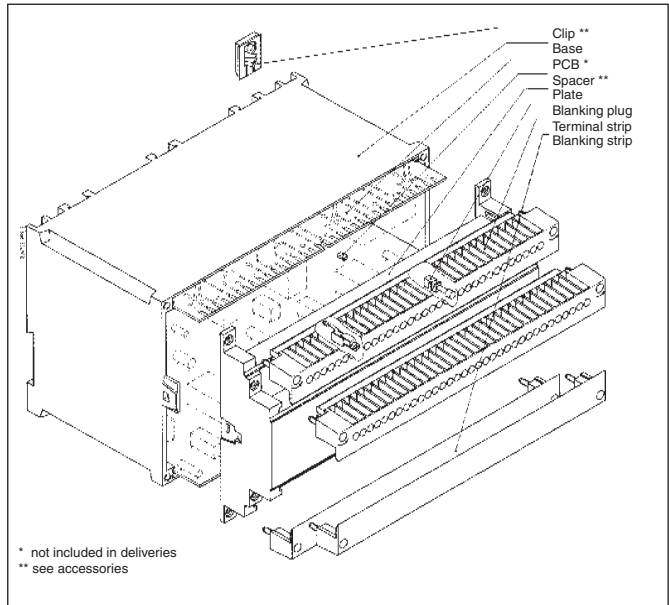
Accessories:

ET 4072-1-2: Clip for screw fixing
ET 4720-0-60: Spacer for PCB coding
ET 4720-37.1: Blanking strip beige
ET 4720-37.2: Blanking strip grey
KO4721-7-1.22: Blanking strip clear

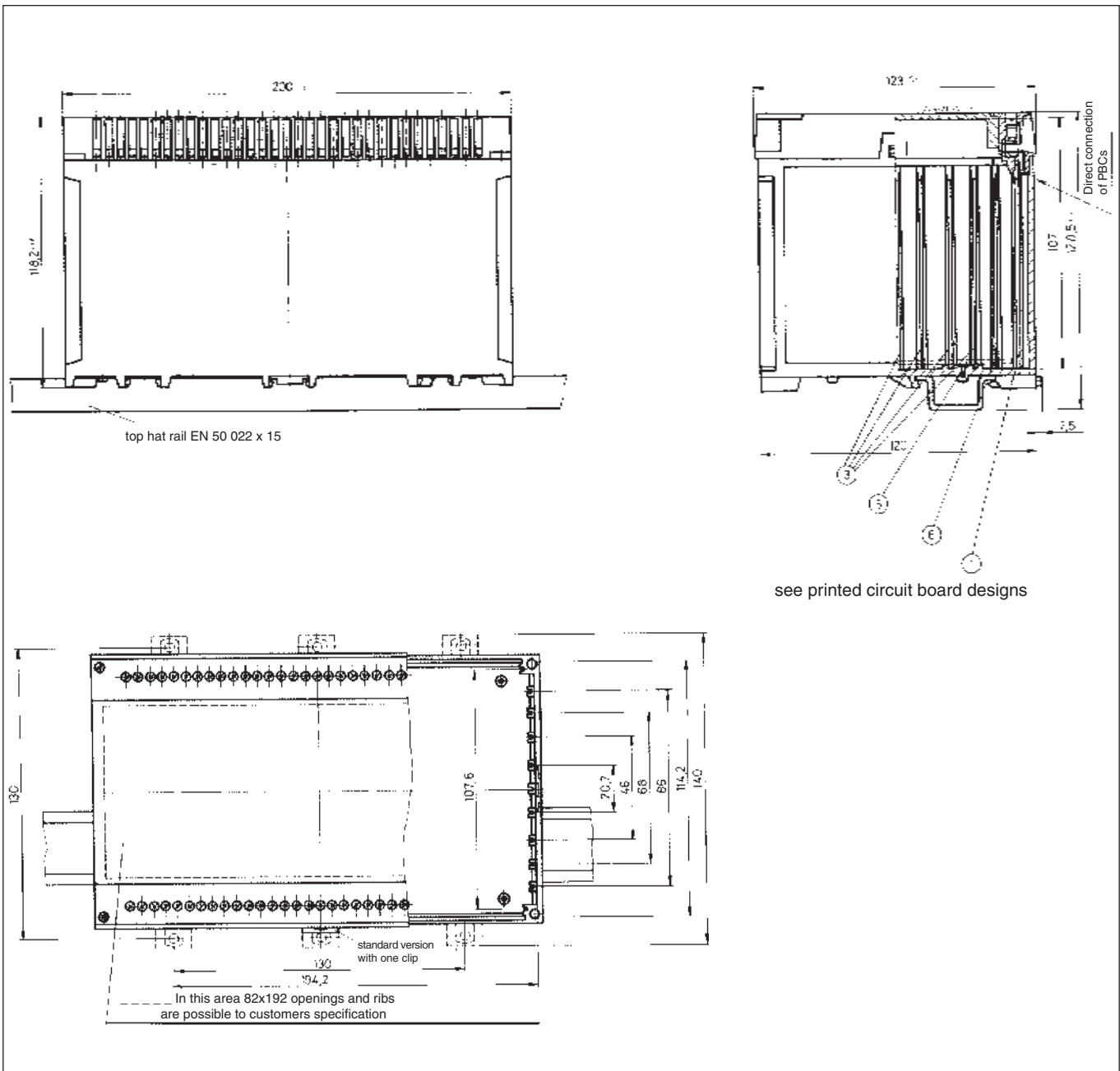
Box-terminals for plug-in technology



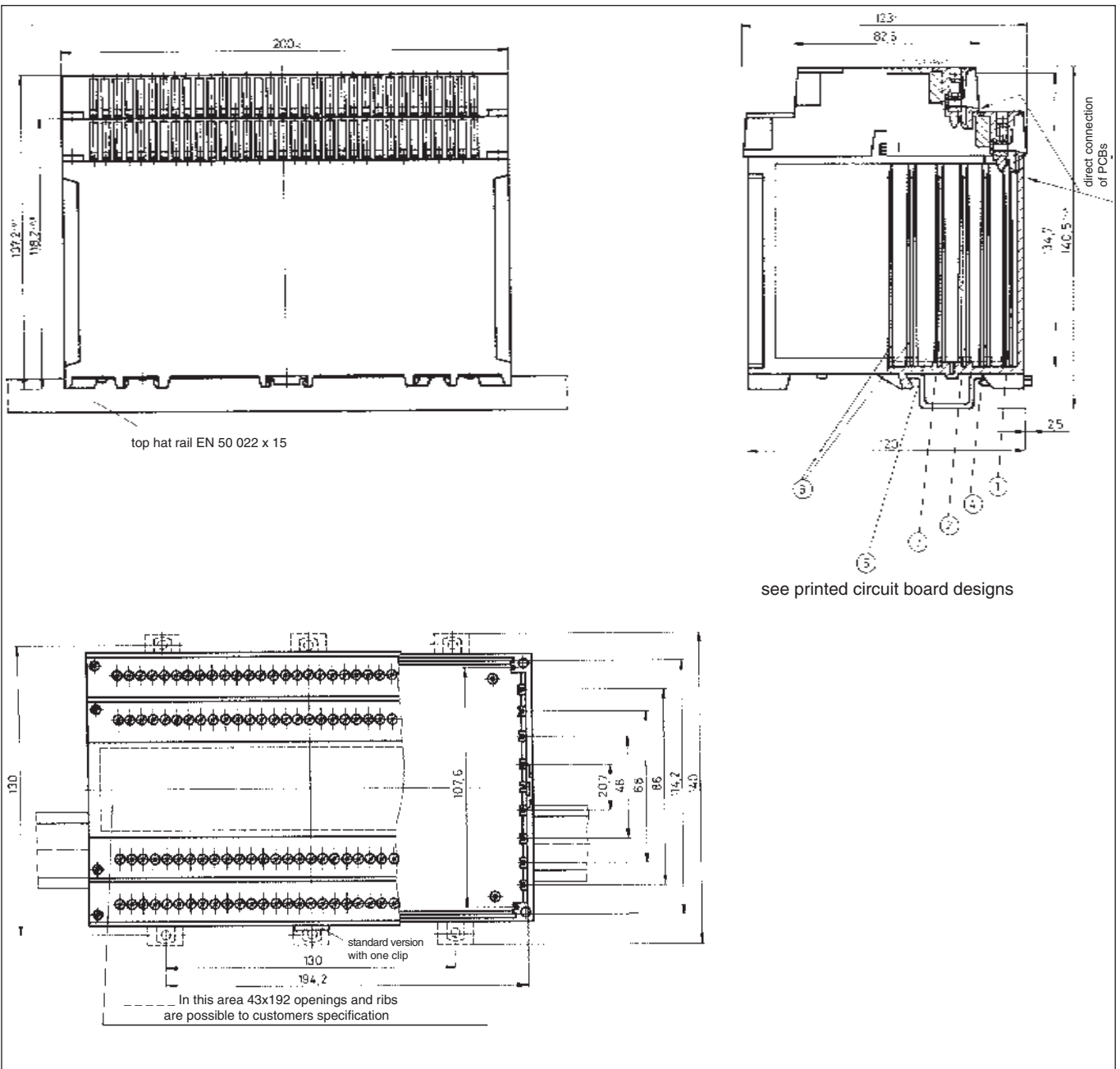
Exploded view



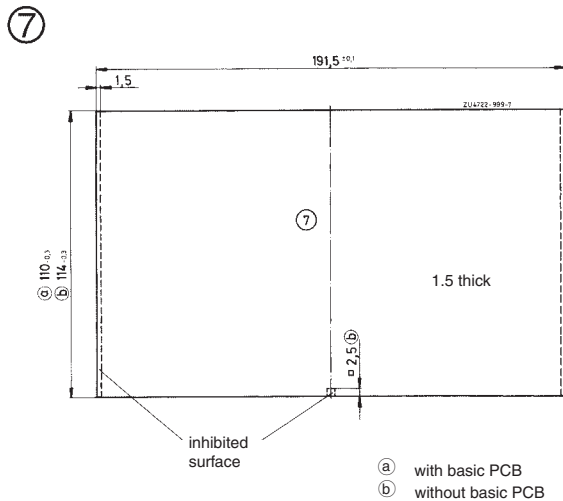
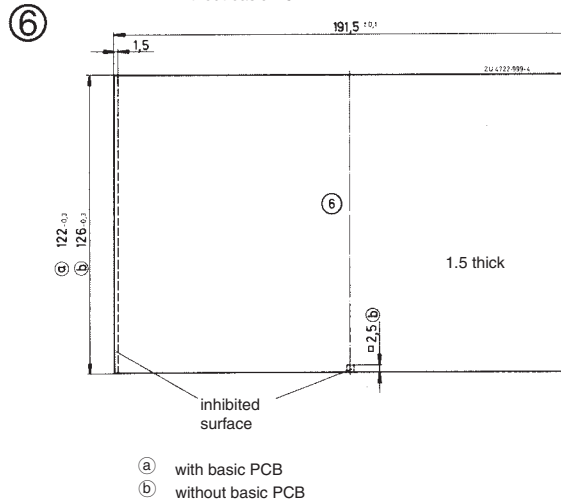
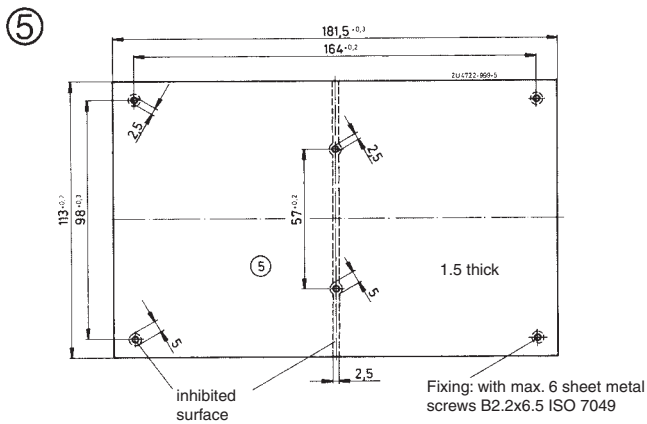
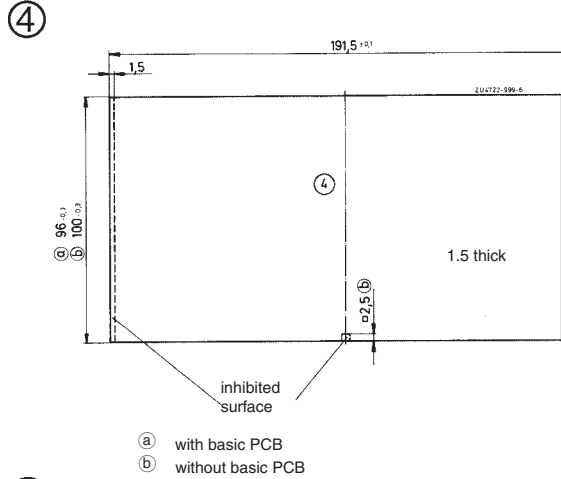
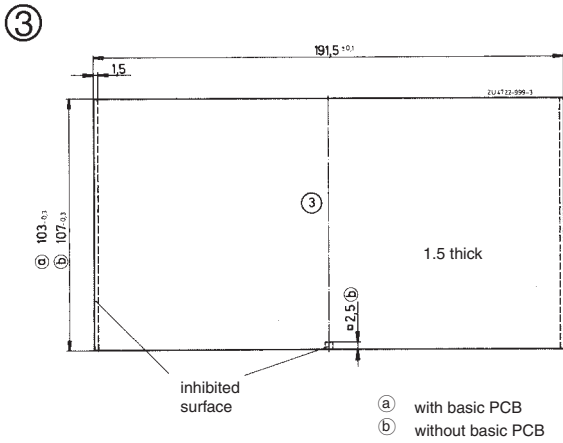
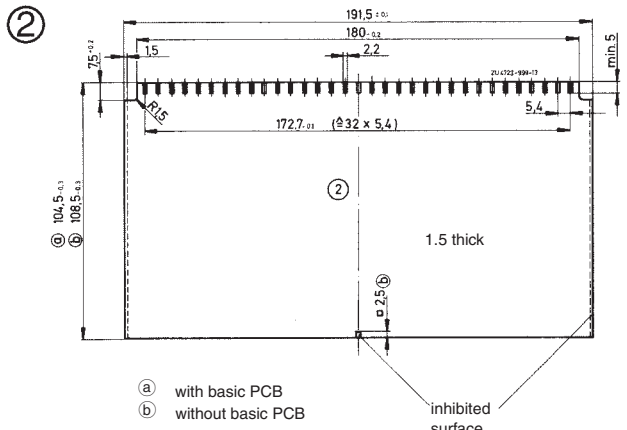
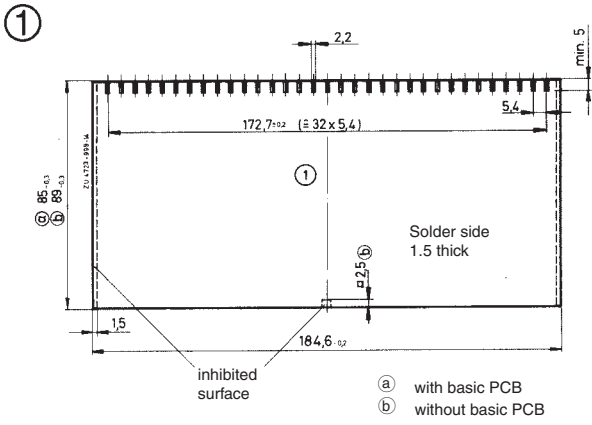
Dimensions



Dimensions



Printed circuit board designs

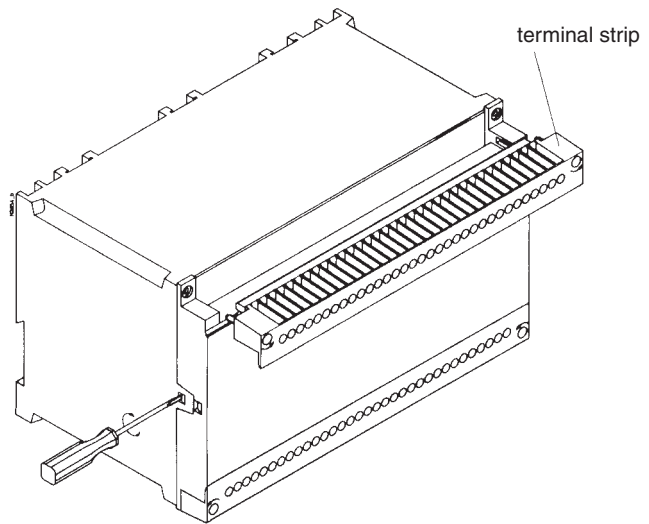
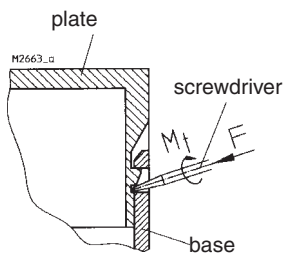


Tolerance complying with IEC 60 249-2-4

Notes on Housing Opening

Enclosure for plug-in technology

To remove the front plate first unscrew the terminal strips fixing screws and lift off the terminal strips.



To remove front-frame insert an 0,8 x 4,0 or 0,8 x 4,5 screwdriver into the side recess, on the hood, and turn lightly to the left or right until the snap-in lug disengages. Repeat in the opposite side.

