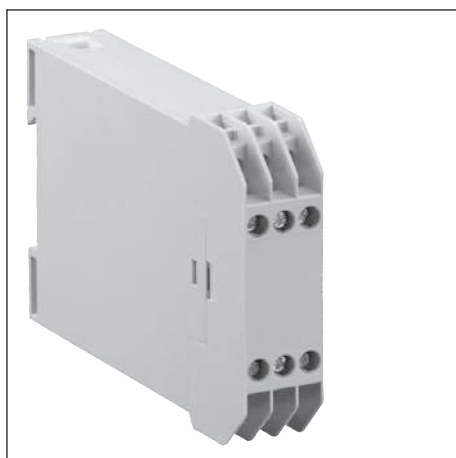
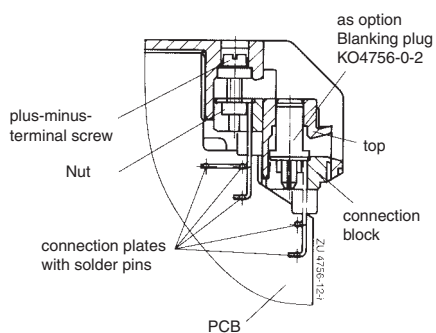


# Insulated Enclosure KO 4757

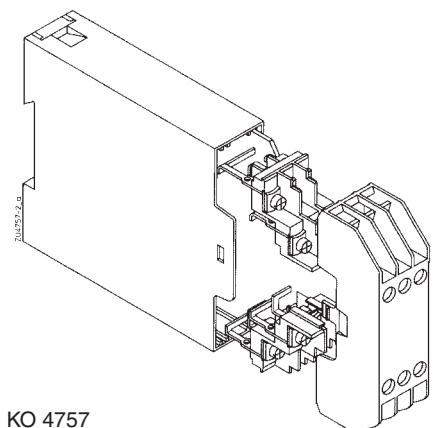
with flat terminal  
for machine soldering



- Width 22.5 mm
- Max. 12 plus-minus captive terminal screws with self-raising terminal washers
- Secure clamping of max. 2 connection wires with differing cross section
- Machine solderable connections, stranded cable connection possible
- Large area für control and indicating components and legends.
- Housing supplied as single parts, terminals prefitted in terminal blocks



Flat terminal for machine soldering



KO 4757

## Technical data

Order reference: KO 4057.0046336  
**Outer dimensions:** 22.5 x 82 x 118.2 mm  
 Enclosure material: PC-GF light grey RAL 7035

Temperature stability:	PC
complying with UL 746 B:	125 °C
complying with Vicat	
ISO 306 Meth. B:	148 °C
compl. with ISO 75-2 Meth. A:	138 °C
Meth. B:	144 °C

Max. permitted power dissipation: at normal climate 23 / 50-1 ISO 554

Enclosure gap	Power dissipation $P_v$
0 mm	4 W
16 mm	7.5 W
∞	10 W

Specific thermal resistance:  $R_{th} = 10 \text{ K / W}$  for stand-alone enclosure

Flame retardancy complying with UL 94: V-0  
 complying with IEC 60707: BH 2-30

**Number of terminals:** Max. 12, numbered inside from 1 to 6

Terminal material: steel strip, tin-plated

Max. cross section for connection: max. 2 x 2,5 mm<sup>2</sup> solid  
 max. 2 x 1.5 mm<sup>2</sup> stranded ferruled DIN 46228-1/-2/-3  
 max. 2 x 1 mm<sup>2</sup> stranded ferruled DIN 46228-4  
 8 mm

Insulation of wires length:

Max. cross resistance to printed circuit board: 20 mΩ

Max. current carrying capacity: 20 A

Wire fastening: Plus-minus terminal screws M3.5 with self-raising terminal washers, Function complying with IEC 60999-1

Torque: max. 0.4 Nm

Inner connection: machine solderable pins for PCB and solder points for strands wire  $\varnothing 1.8 \text{ mm}$  max.

**Enclosure fastener:** 1) Snap-on fastener on top hat rail EN 60715  
 2) Screw fastening possible with retractable lugs, fastening dimension 80 mm, for 2 M4 screws

### Creepage current resistance

PC: CTI 175  $\hat{=}$  insulating material III a IEC 60664-1  
 PC: CTI 450  $\hat{=}$  insulating material II IEC 60664-1

**Air gap and creepage distances:** Air gap  $\geq 3.2 \text{ mm}$  IEC 60664-1  
 Creepage distance  $\geq 5.0 \text{ mm}$

Type of protection: Enclosure IP 40 IEC 60529  
 Terminals IP 20 IEC 60529  
 unmounted terminals: IP 20  
 unmounted terminals with blanking plug: IP 40

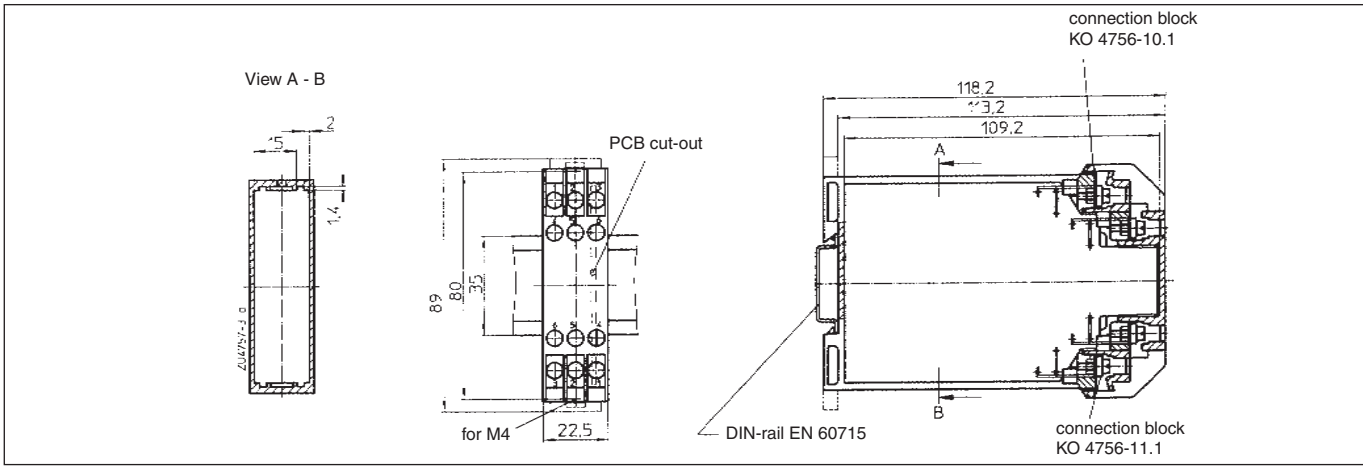
Print area: 30 x 21.5 mm

**Printed circuit board:** see Printed circuit board design

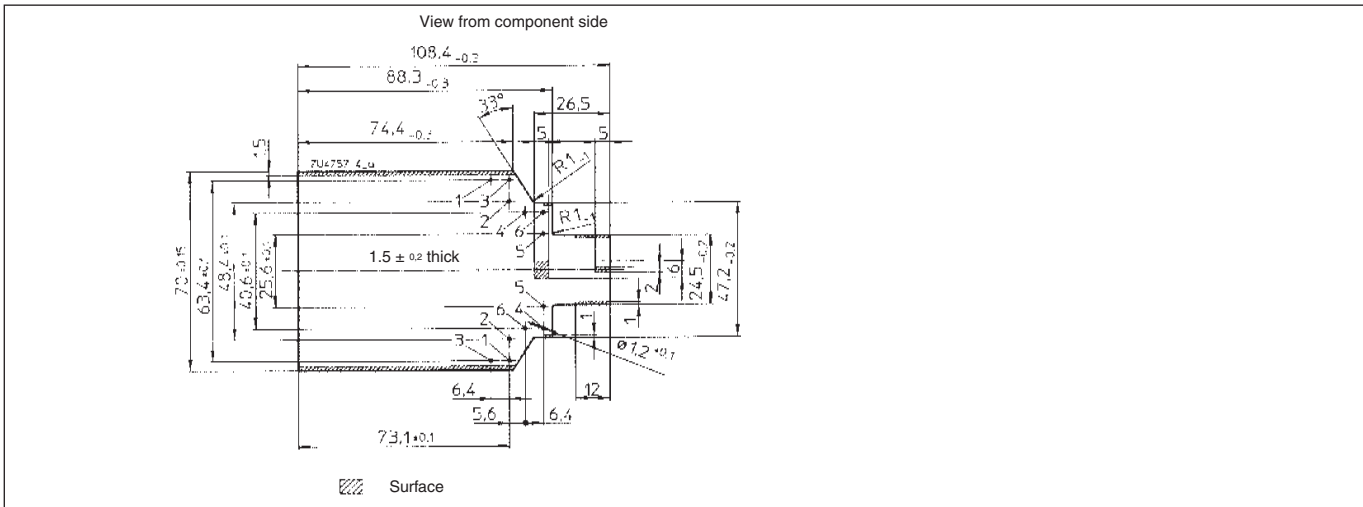
Printed circuit board holder: Guides in base and terminal plate

**Accessories:** KO 4756-0-2 Blanking plug

## Dimensions



## Printed circuit board design



## Mask for a solder frame

