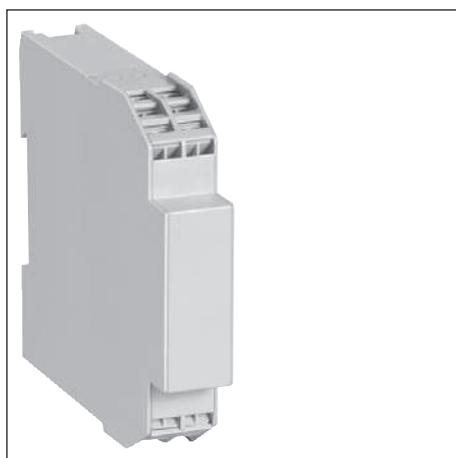
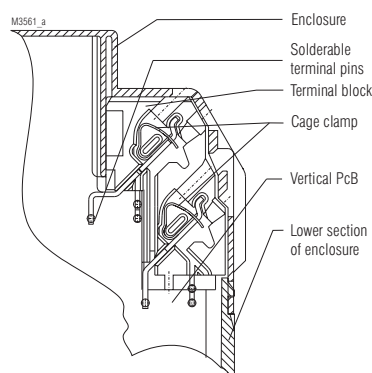


# Insulated Enclosure KO 4912

for surface mounting and mounting in cabinets,  
with cage clamp terminals



- Width 17,5 mm
- Max. 8 terminals with each 2 cage clamp terminals
- Machine solderable connections
- Housing supplied as single parts, terminals prefitted in terminal blocks

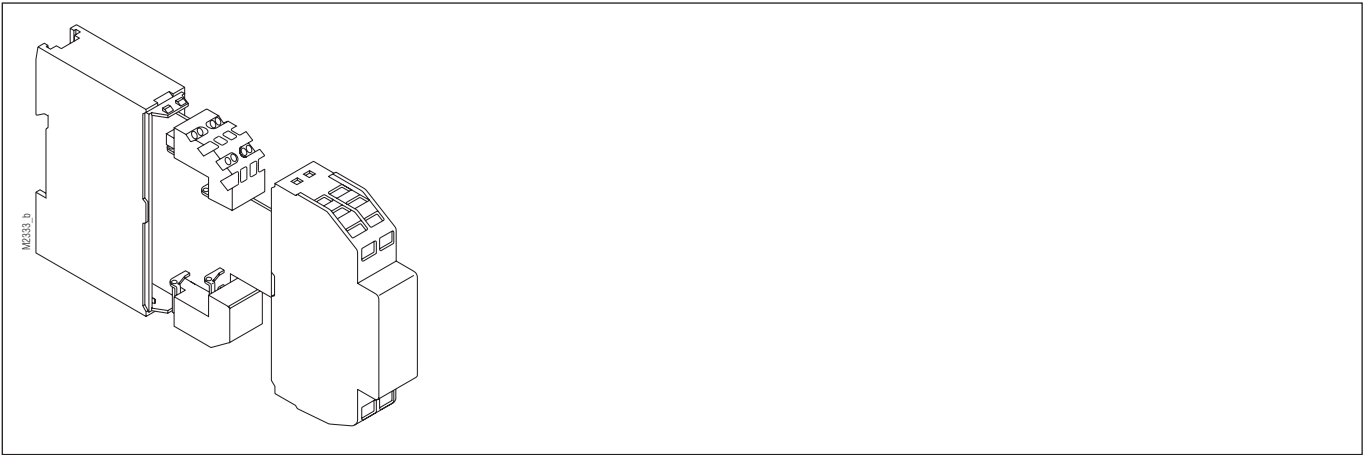


Cage-clamp for soldering

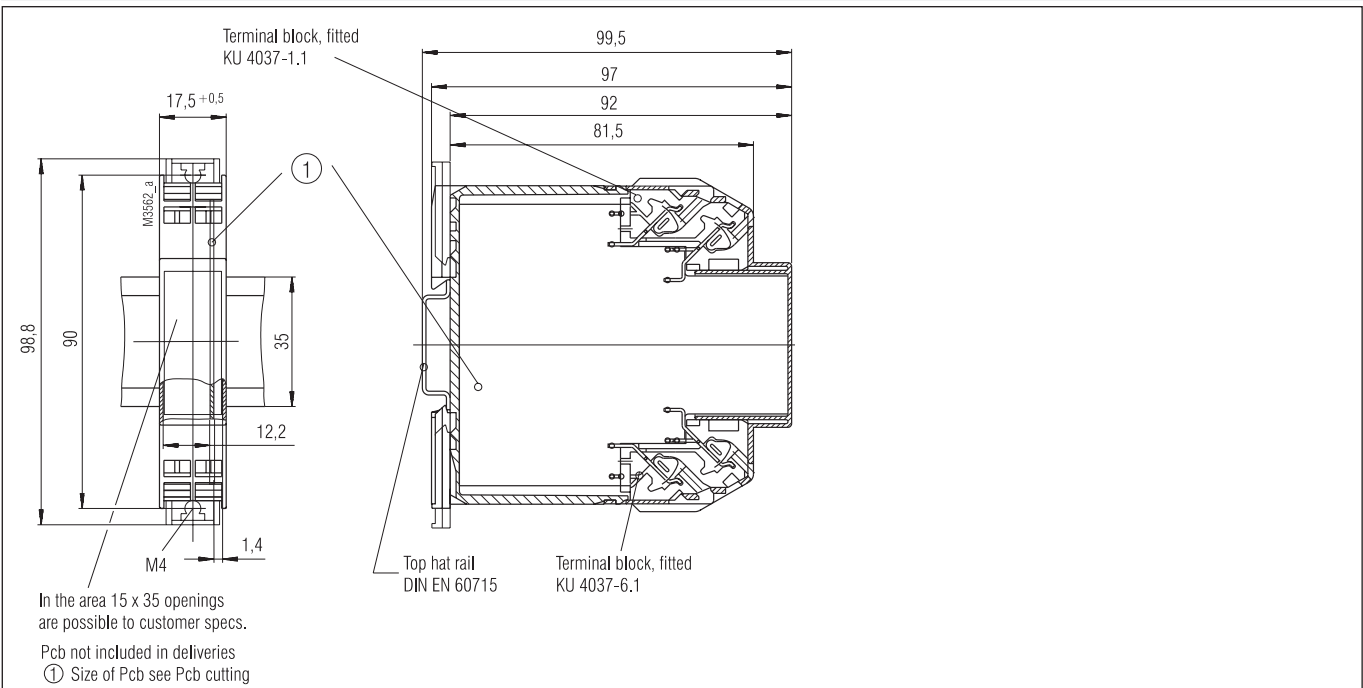
## Technical Data

|   |  |                 |           |
|---|--|-----------------|-----------|
| Order reference:  | KO 4912.0050312  |                 |           |
| <b>Outer dimensions:</b>  | 17,5 x 90 x 97 mm  |                 |           |
| Enclosure material:   | PC-GF, light grey RAL 7035   |                 |           |
| Temperature stability:  |  |                 |           |
| complying with UL 746 B:  | 125 °C   |                 |           |
| complying with Vicat ISO 306  | Meth. B:   | 148 °C          |           |
| complying with ISO 75-2   | Meth. A:   | 138 °C          |           |
|   | Meth. B:   | 144 °C          |           |
| Max. permitted power dissipation:   | 5,5 W for stand-alone enclosure at normal climate 23/50-1  | ISO 554         |           |
| Specific thermal resistance:  | R <sub>th</sub> = 8 K / W for stand-alone enclosure  |                 |           |
| Flame retardancy complying with UL 94:  | V-0  |                 |           |
| complying with IEC 60 707:  | BH 2-30  |                 |           |
| <b>Number of terminals:</b>   | 8; < 8 on request  |                 |           |
| Terminal material:  | High grade steel / Copper alloy, tin-plated  |                 |           |
| Max. cross section for connection:  | 2 x 1,5 mm <sup>2</sup> solid or<br>2 x 1,5 mm <sup>2</sup> stranded or<br>2 x 1 mm <sup>2</sup> stranded ferruled DIN 46 228-1/-2/-3/-4<br>min. Ø 0,1 mm solid AWG 24 |                 |           |
| Insulation of wires length:   | 8 mm   |                 |           |
| Max. contact resistance to printed circuit board:                                     | 10 mΩ  |                 |           |
| Max. current carrying capacity:   | 10 A   |                 |           |
| Wire fastening:   | Cage clamps  |                 |           |
| Required tool:  | Screwdriver  | ISO 2380-B0,5x3 |           |
| Inner connection:   | Machine-solderable terminal pins for PCB   |                 |           |
| <b>Enclosure fastener:</b>  | 1) Snap-on fastener on top hat rail  |                 | EN 50 022 |
|   | 2) Screw fixing M4, grid 90 mm with second clip as accessory   |                 |           |
| Creepage current resistance:  | CTI 175 ^ = insulated material III a   | IEC 60 664-1    |           |
| <b>Air gap and creepage distance:</b>   | ≥ 4 mm   | IEC 60 664-1    |           |
| Type of protection  | IEC 60 529   |                 |           |
| Enclosure:  | IP 40  |                 |           |
| Terminals:  | IP 20  |                 |           |
|   | Contact protection complies with VBG 4   |                 |           |
| Print area:   | 17 x 44 mm on the front and 17 x 8 mm above the terminals  |                 |           |
| <b>Printed circuit board:</b>   | See printed circuit board design   |                 |           |
| Printed circuit board holder:   | Guide ribs   |                 |           |
| Component installation height for a vertical printed circuit board on component side: | ≤ 12,2 mm resp. 11,6 mm  |                 |           |
| on soldering side:  | ≤ 2,0 mm resp. 1,4 mm (see PCB design)   |                 |           |
| Net weight:   | 60 g   |                 |           |
| <b>Accessories:</b>   |  |                 |           |
| ET 4086-0-2:  | Second clip for screw fixing   |                 |           |

## Exploded view



## Dimensions



## Printed circuit board

