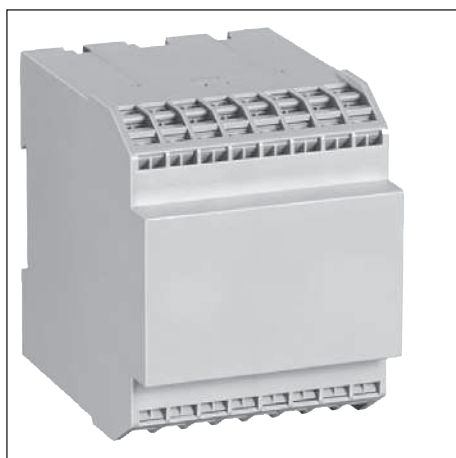
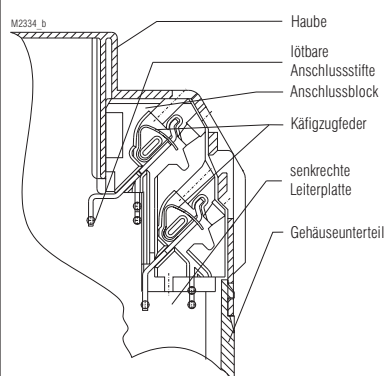


# Insulated Enclosure KO 4914

for surface mounting and mounting in cabinets,  
with cage clamp terminals



- Width 70 mm
- Max. 32 terminals with each 2 cage clamp terminals
- Machine solderable connections
- Housing supplied as single parts, terminals prefitted in terminal blocks

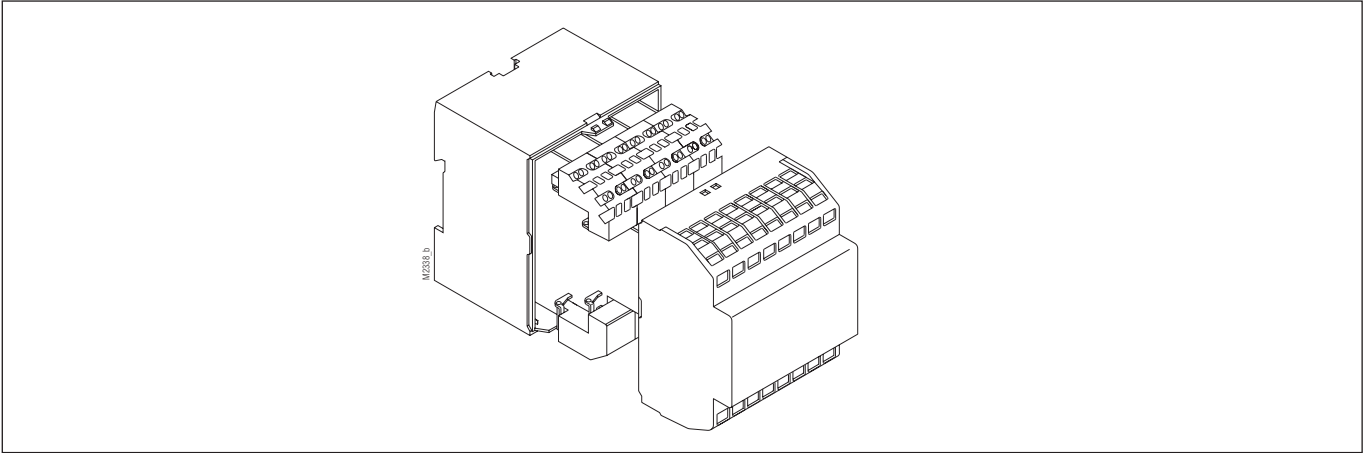


Cage clamp for soldering

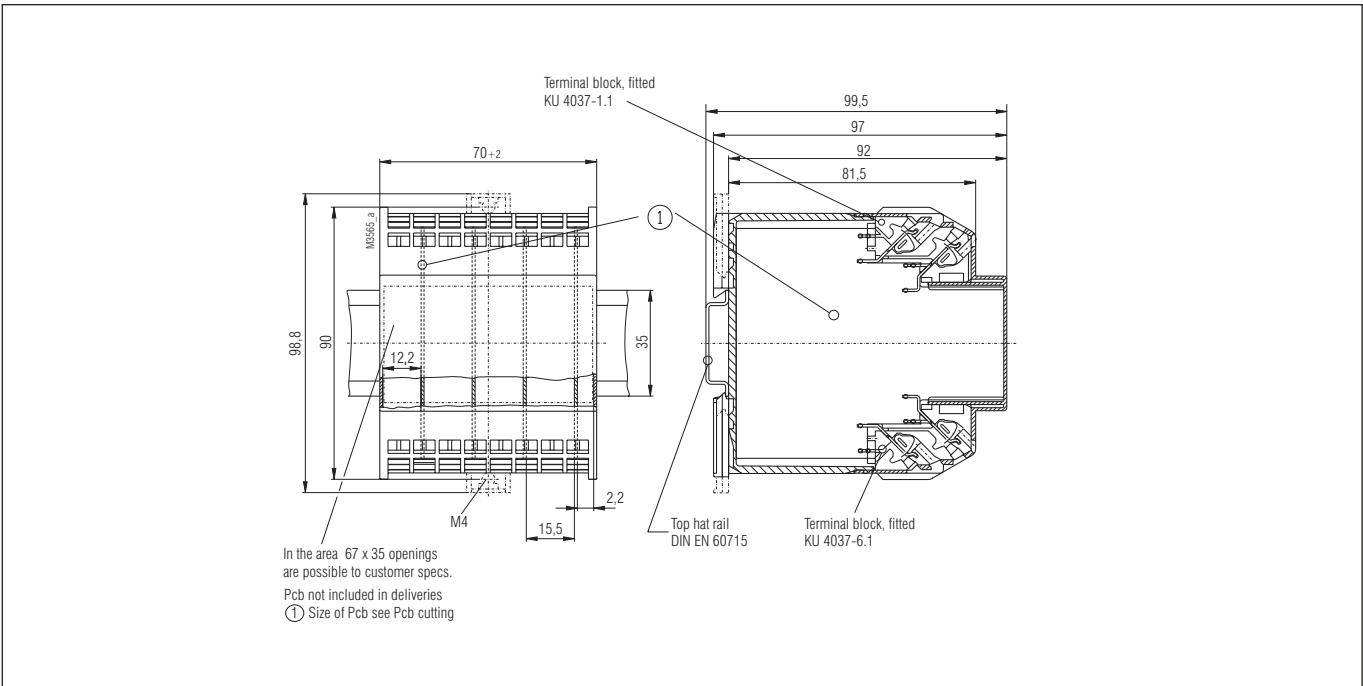
## Technical Data

Order reference:	KO 4914.0050314		
<b>Outer dimensions:</b>	70 x 90 x 97 mm		
Enclosure material:	PC-GF, light grey RAL 7035		
Temperature stability:			
complying with UL 746 B:	125 °C		
complying with Vicat ISO 306	Meth. B:	148 °C	
complying with ISO 75-2	Meth. A:	138 °C	
	Meth. B:	144 °C	
Max. permitted power dissipation:	14 W for stand-alone enclosure at normal climate 23/50-1	ISO 554	
Specific thermal resistance:	R <sub>th</sub> = 4 K / W for stand-alone enclosure		
Flame retardancy complying with UL 94:	V-0		
complying with IEC 60 707:	BH 2-30		
<b>Number of terminals:</b>	32; < 32 on request		
Terminal material:	High grade steel / Copper alloy, tin-plated		
Max. cross section for connection:	2 x 1,5 mm <sup>2</sup> solid or 2 x 1,5 mm <sup>2</sup> stranded or 2 x 1 mm <sup>2</sup> stranded ferruled min. Ø 0,1mm solid AWG 24		
	DIN 46 228-1/-2/-3/-4		
Insulation of wires length:	8 mm		
Max. contact resistance to printed circuit board:	10 mΩ		
Max. current carrying capacity:	10 A		
Wire fastening:	Cage clamps		
Required tool:	Screwdriver		
	ISO 2380-1-B0,5x3		
Inner connection:	Machine-solderable terminal pins for PCB		
<b>Enclosure fastener:</b>	1) Snap-on fastener on top hat rail EN 50 022 2) Screw fixing M4, grid 90 mm with second clip as accessory		
Creepage current resistance:	CTI 175 $\hat{=}$ insulated material III a	IEC 60 664-1	
<b>Air gap and creepage distance:</b>	$\geq 4$ mm		IEC 60 664-1
Type of protection	IEC 60 529		
Enclosure:	IP 40		
Terminals:	IP 20		
	Contact protection complies with VBG 4		
Print area:	70 x 44 mm on the front and 70 x 8 mm above the terminals		
<b>Printed circuit board:</b>	See printed circuit board design		
Printed circuit board holder:	Guide ribs		
Component installation height for a vertical printed circuit board on component side:	$\leq 63$ mm		
on soldering side:	$\leq 2,0$ mm		
Net weight:	190 g		
<b>Accessories:</b>			
ET 4086-0-2:	Second clip for screw fixing		

## Exploded view



## Dimensions



## Printed circuit board design

