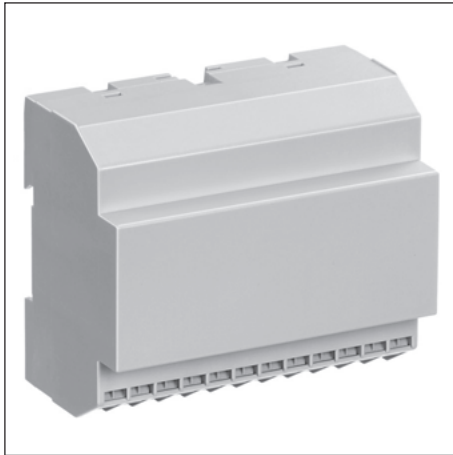
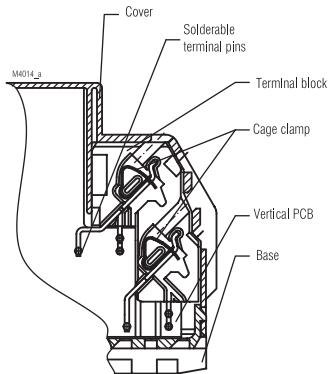


Insulated Enclosure KU 4040

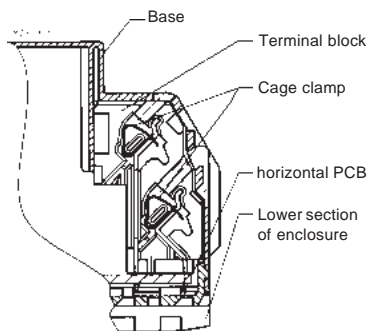
to DIN 43 880 for installation in distribution cabinets or surface mounting,
with cage clamp terminals



- Width 105 mm
- Max. 24 terminals with each 2 cage clamp terminals
- Machine solderable connections
- Housing supplied as single parts, terminals prefitted in terminal blocks



Terminals for vertical PCB



Terminals for horizontal PCB

Technische Daten

Order references:

KU 4040.0055082: with 24 terminals, soldering on vertical PCB
 KU 4040.0050913: with 24 terminals, soldering on horizontal PCB

Outer dimensions: 105 x 90 x 59 mm

Enclosure material: PC-GF, light grey RAL 7035

Temperature stability:	
complying with UL 746 B:	125 °C
complying with Vicat	
ISO 306 Meth. B:	148 °C
complying with ISO 75-2 Meth. A:	138 °C
Meth. B:	144 °C

Max. permitted power dissipation: 10 W at normal climate 23/50-1 ISO 554

Specific thermal resistance: $R_{th} = 6,1 \text{ K / W}$ for stand-alone enclosure

Flame retardancy
 complying with UL 94: V-0
 complying with IEC 60 707: BH 2-30

Number of terminals: 24 < 24 on request

Terminal material: High grade steel / Copper alloy, tin-plated

Max. cross section for connection: 2 x 1,5 mm² solid or
 2 x 1,5 mm² stranded or
 2 x 1 mm² stranded ferruled DIN 46 228-1/-2/-3/-4
 min. Ø 0,5 mm solid AWG 24

Insulation of wires length: 8 mm

Max. contact resistance
 to printed circuit board: 10 mΩ

Max. current carrying capacity: 10 A

Wire fastening: Cage clamps
 Required tool: Screwdriver ISO 2380-1-B0,5x3

Inner connection: Machine-solderable terminal pins for PCB

Enclosure fastener:
 1) Snap-on fastener on top hat rail EN 50 022
 2) Screw fixing M4, grid 90 mm
 with second clip as accessory

Creepage current resistance: CTI 175 ≙ insulated material III a IEC 60 664-1

Air gap and creepage distance
 vertical PCB: Air gap distances: ≥ 3,3 mm IEC 60 664-1
 Creepage distances: ≥ 4,5 mm
 horizontal PCB: ≥ 4 mm

Type of protection
 Enclosure: IP 40 IEC 60 529
 Terminals: IP 20 IEC 60 529
 Contact protection complies with VBg 4

Print area: 103 x 42 mm on the front and 103 x 8 mm
 above the terminals

Printed circuit board: See printed circuit board design

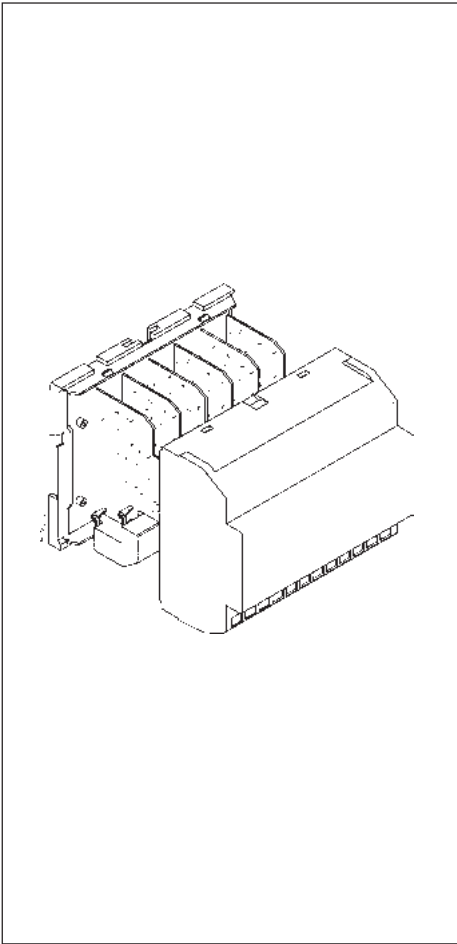
Printed circuit board holder: Guide ribs

Component installation height for
 a vertical printed circuit board
 on component side: ≤ 12,2 mm resp. ≤ 15,5 mm
 on soldering side: ≤ 2,2 mm

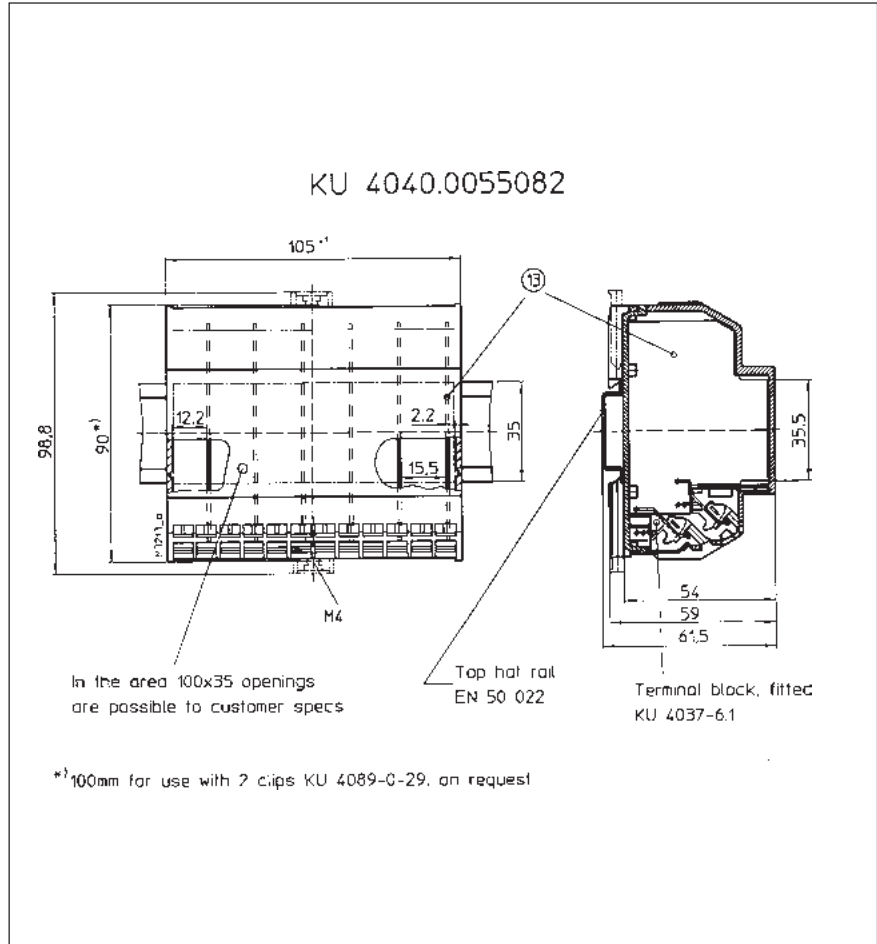
Net weight:
 vertical PCB: 260 g
 horizontal PCB: 220 g

Accessories:
 ET 4086-0-2: Second clip for screw fixing

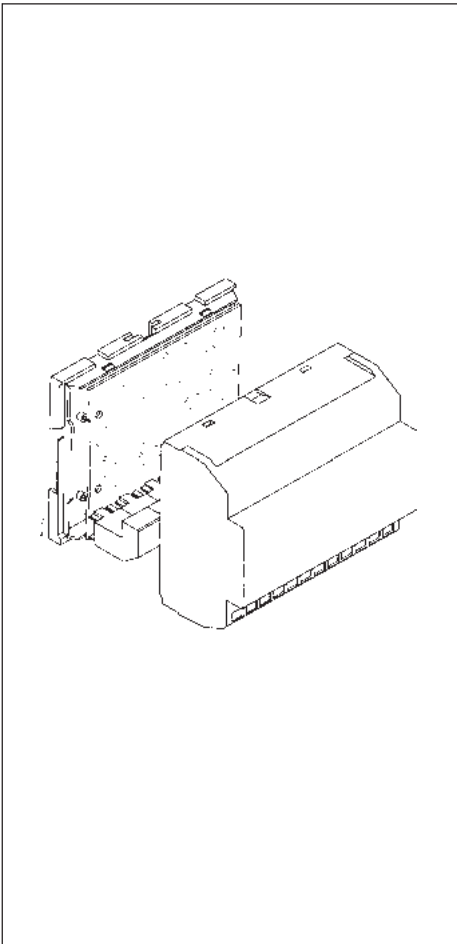
Exploded view



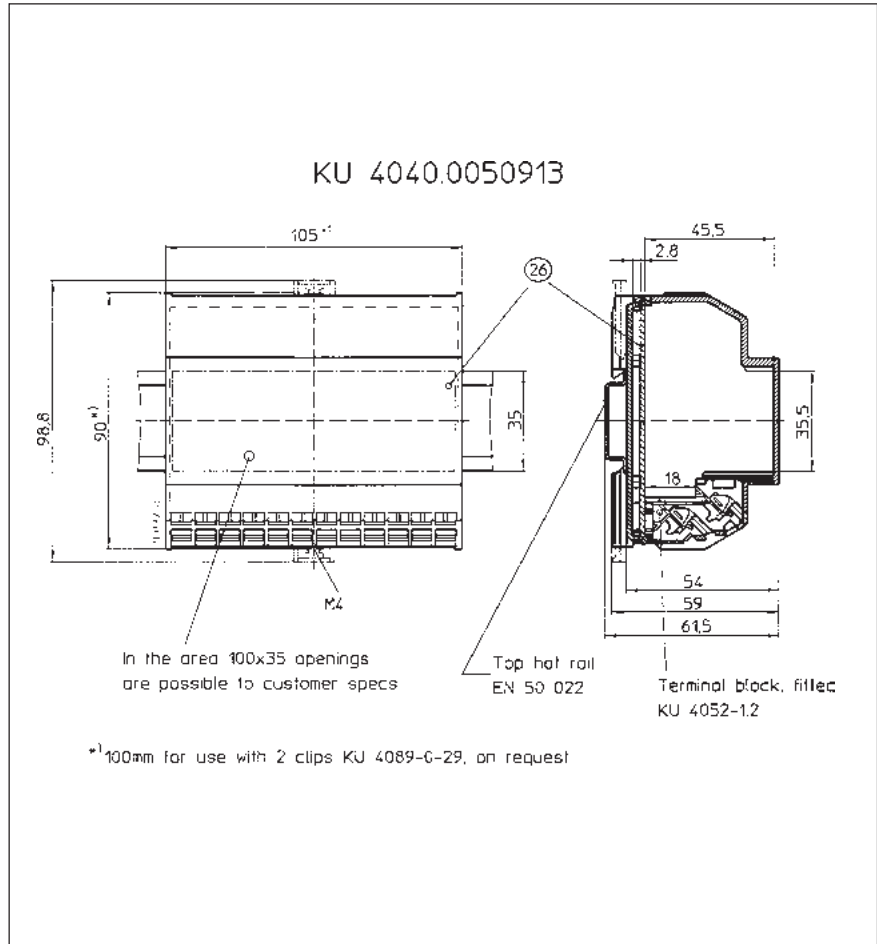
Dimensions Enclosure for vertical PCB



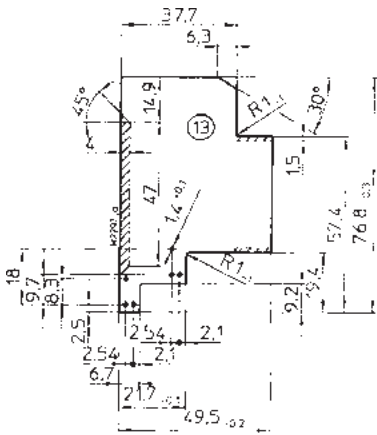
Exploded view



Dimensions Enclosure for horizontal PCB

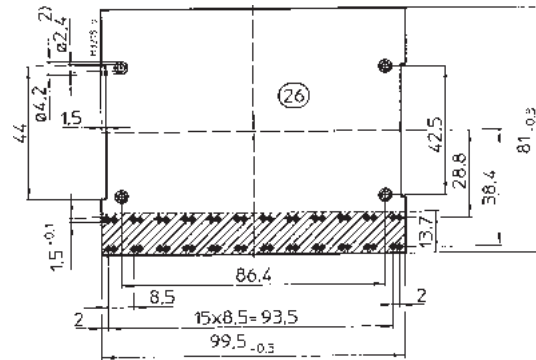


for vertical PCB



for horizontal PCB

View from component side



 Inhibited surface

- 1) Tolerance complying with IEC/EN 60249-2-4
- 2) Hole \varnothing 2,4 on request for cylindrical screws
ISO 1207 - M2 x 3 not included in deliveries

