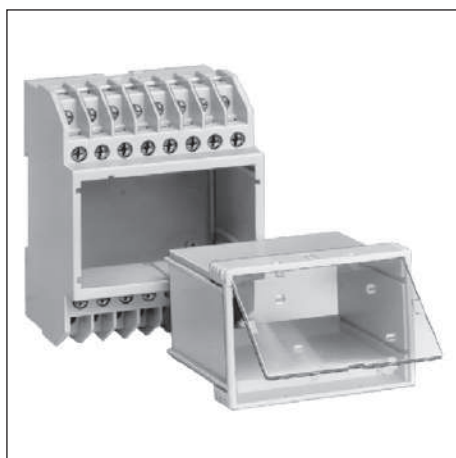
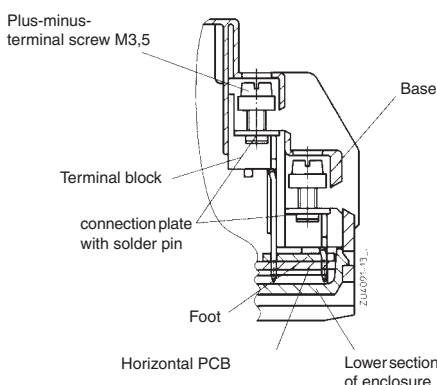


Insulated Enclosure KU 4059

to DIN 43 880 for installation in distribution cabinets or surface mounting,
with plug-in relay-module-carrier



- Width 70 mm
- Ideal for building-in of BUS compatible equipment
- Plug-in carriers for Field-BUS specific control modules, providing an excellent compatibility with the field-bus system
- Quick change-over of carriers
- With 32 plus-minus-terminal screws
- Will take one PCB on the base and two PCBs in the carriers
- Machine solderable connctions
- Housing supplied as single parts, terminals prefitted in terminal blocks

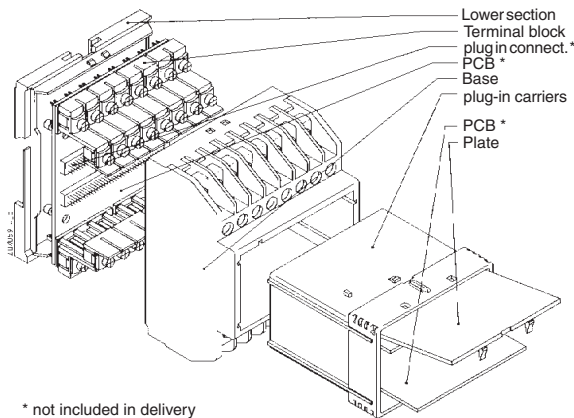


Flat terminal for horizontal PCB

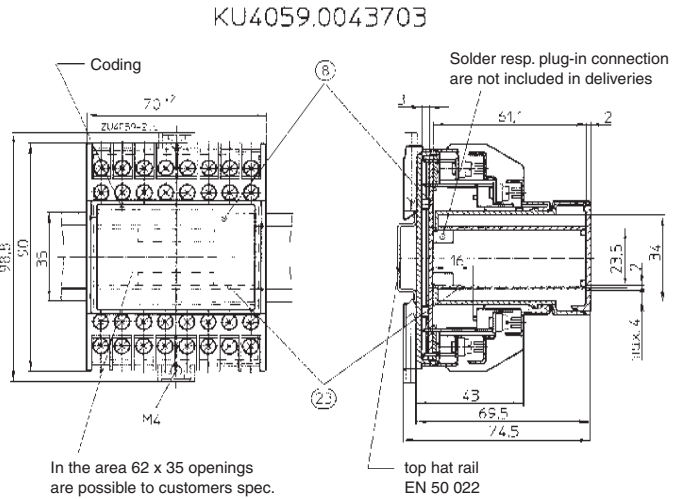
Technical Data

Order reference:	KU 4059.0043703 Standard version: Plate clear	
Outer dimensions:	70 x 90 x 74,5 mm	
Enclosure material	PC-GF, light grey RAL 7035	
Enclosure:	PC clear	
Plate:	PC clear	
Temperature stability	Enclosure: PC-GF	Plate: PC clear
complying with UL 746 B:	125 °C	115 °C
complying with Vicat ISO 306	Meth. B: 148 °C	145 °C
complying with ISO 75-2	Meth. A: 138 °C	126 °C
	Meth. B: 144 °C	136 °C
Max. permitted power dissipation:	10 W for stand-alone enclosure at normal climate 23/50-1	ISO 554
Specific thermal resistance:	Rth = 8 K / W or stand-alone enclosure	
Flame retardancy	V-0	V-2
complying with UL 94:	BH 2-30	BH 2-30
complying with IEC 60 707		
Number fo terminals:	32, < 32 on request	
Terminal material:	Steel strip, tin-plated	
Max. cross section for connection:	2 x 2,5 mm ² solid 2 x 1,5 mm ² stranded min. Ø 0,5 mm solid	DIN 46 228-1/-2/-3/-4
Insulation length of wire:	10 mm	
Max. contact resistance to printed circuit board:	20 mΩ	
Max. current carrying capacity:	16 A; 40 A on request	
Wire fastening:	Captive plus-minus-terminal screws M3,5 with self raising terminal washers. Complies with IEC 60 999-1	
Torque:	max. 0,8 Nm	
Inner connection:	Machine-solderable terminal pins for PCB	
Enclosure fastener:	1) Snap-on fastener on top hat rail 2) Screw fixing M4, grid 90 mm with second clip as accessory	EN 50 022
Creepage current resistance:	Enclosure: CTI 175 ≅ insulated material III a Plate: CTI 250 ≅ insulated material III a	IEC 60 664-1 IEC 60 664-1
Air gap and creepage distance:	≥ 3,2 mm	
Type of protection	IEC 60 529	
Enclosure:	IP 40	
Terminals:	with terminal screws: IP 20 without terminal block: IP 20 with terminal block: IP 30 with terminal block and Blanking plug KU 4089-3-4: IP 40 Contact protection complying with VGB 4	
Print area:	70 x 42 mm	
Printed circuit board:	See printed circuit board design	
Printed circuit board holder:	Guide ribs in base	
Printed circuit boards in module-carriers:	On component side: ≤ 21 mm On soldering side: ≤ 4 mm	
Net weight:	220 g	
Accessories:	Second clip for screw fixing Blanking plug for terminal block Blanking plug for Enclosure base Dummy terminal block for vertical PCB Double foot, for KU 4089-3-1 necessary, 2 pieces KU 4089-3-1 mounted on double foot Foot, for KU 4089-3-1 necessary, 1 piece KU 4089-3-1 mounted on foot	
KU 4089-3-3.1:		
Special version on request:	- with ventilation slots - Plate grey	

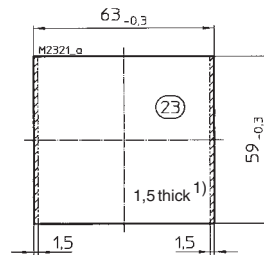
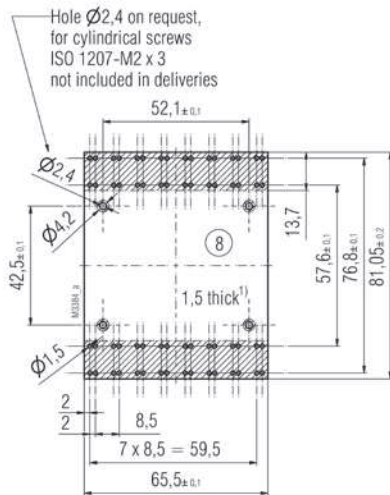
Exploded view



Dimensions



Printed circuit board design



▨ Inhibited surface
1) Tolerance complying with IEC/EN 60249-2-4

Accessories

