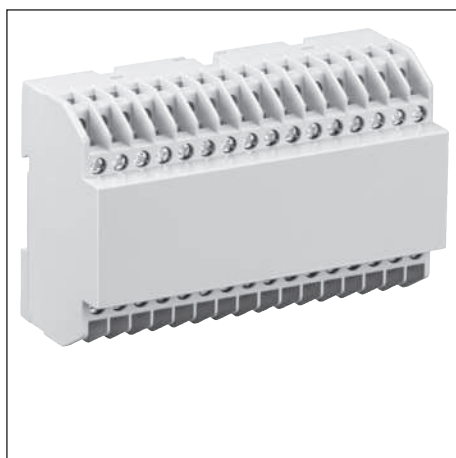
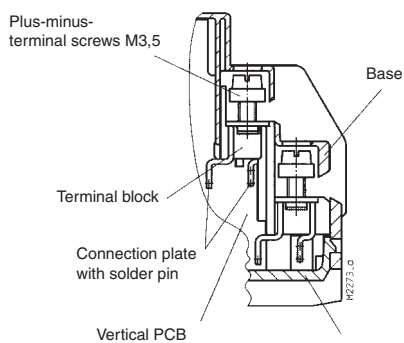


# Insulated Enclosure KU 4091

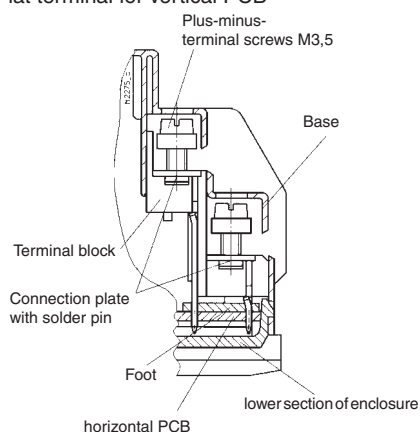
to DIN 43 880 for installation in distribution cabinets or surface mounting



- Width 140 mm
- optionally 32 or 64 plus-minus terminal screws with self raising terminal washers  
Part insertion possible, available with blanking plugs
- Secure termination of max. 2 connection wires of differing cross section
- Machine solderable connection pins, additional wire connection possible
- available with EIB-plug-in
- available with ventilation slots
- Housing supplied as single parts, terminals prefitted in terminal blocks



### Flat terminal for vertical PCB



### Flat terminals for horizontal PCB

## Technical Data

Order references:  
 KU 4091.0037203: 64 terminals, soldering on vertical PC  
 KU 4091.0037202: 32 terminals, diagonally soldering on vertical PC  
 KU 4091.0037201: 32 terminals, in a row soldering on vertical PC

KU 4091.0036973: 64 terminals, soldering on horizontal PCB  
 KU 4091.0038001: 32 terminals, diagonally soldering on horizontal PCB  
 KU 4091.0038002: 32 terminals, in a row soldering on horizontal PCB

**Outer dimensions:** 140 x 90 x 59 mm  
**Enclosure material:** PC - GF, light grey RAL 7035

<b>Temperature stability:</b>	
complying with UL 746 B:	125 °C
complying with Vicat ISO 306	Meth. B: 148 °C
complying with ISO 75-2	Meth. A: 138 °C Meth. B: 144 °C

**Max. permitted power dissipation:** 22 W for stand alone enclosure at normal climate 23/50-1 ISO 554

**Specific thermal resistance:**  $R_{th} = 4,5 \text{ K / W}$   
for stand-alone enclosure

**Flame retardancy**  
 complying with UL 94: V-0  
 complying with IEC 60 707: BH 2-30

**Number of terminals:** 64 / 32; < 64 / < 32 on request

**Terminal material:** Steel strip, tin-plated

**Max. cross section for connection:** 2 x 2,5 mm<sup>2</sup> solid  
 2 x 1,5 mm<sup>2</sup> stranded DIN 46 228-1/-2/-3/-4  
 min Ø 0.6 solid / 0.28 mm<sup>2</sup> / 22 AWG

**Insulation of wires length:** 10 mm

**Max. contact resistance to printed circuit board:** 20 mΩ

**Max. current carrying capacity:** 16 A; 50 A on request

**Wire fastening:** Captive plus-minus-terminal screws M3,5 with self raising terminal washers.  
Function complying with IEC 60 999-1

**Torque:** max. 0,8 Nm

**Inner connection:** Machine solderable connection pin for PCB and soldering lug for stranded

**Enclosure fastener:** 1) Snap-on fastener on top hat rail EN 50 022  
 2) Screw fixing M4, grid 90 mm with additional clip as accessory

**Creepage current resistance:** CTI 175 ± insulated material III a IEC 60 664-1

**Air gap and creepage distances** IEC 60 664-1  
**Vertical PCB:** Air gap distance: ≥ 4,0 mm  
 Creepage distance: ≥ 6,3 mm  
**Horizontal PCB:** ≥ 3,2 mm

**Type of protection**  
**Enclosure:** not fixed: IP 30 IEC 60 529  
 fixed on Din-rail or Screw fixing: IP 40

**Terminals:** IP 20 IEC 60 529  
 Contact protection complies with VBG 4

**Print area:** 137 x 42 mm

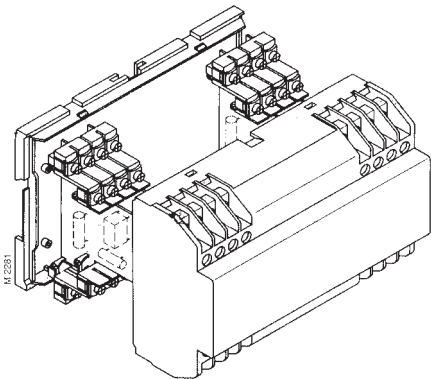
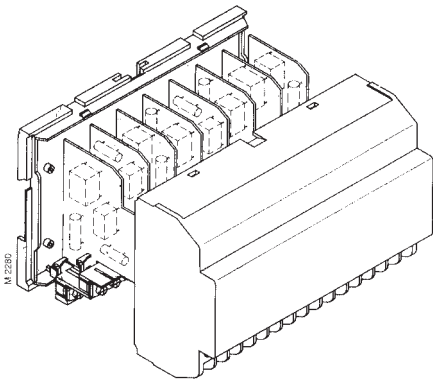
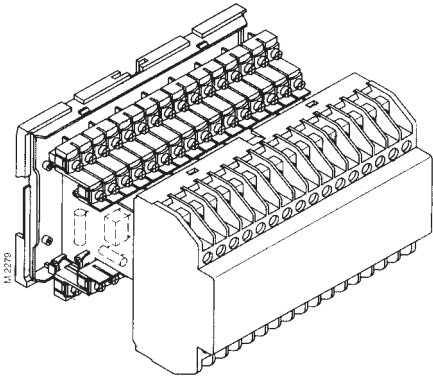
**Printed circuit board:** See printed circuit board design

**Printed circuit board holder:** Guide ribs

**Net weight:**  
 with 64 terminals: 270 g  
 with 32 terminals: 230 g

**Accessories:**  
 ET 4086-0-2: Second clip for screw fixing  
 KU 4089-3-4: Blanking plug for terminal block  
 KU 4087-0-2: Blanking plug for Enclosure base  
 KU 4087-2-1: Dummy terminal block for vertical PCB  
 KU 4089-3-1: Dummy terminal block for horizontal PCB  
 Double foot, for KU 4089-3-1 necessary,  
 2 pieces KU 4089-3-1 mounted on double foot  
 Foot, for KU 4089-3-1 necessary,  
 1 piece KU 4089-3-1 mounted on foot

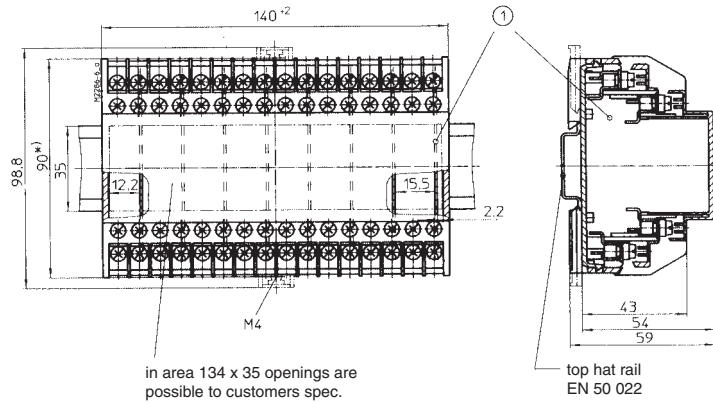
## Exploded views



## Dimensions Enclosure for vertical PCB

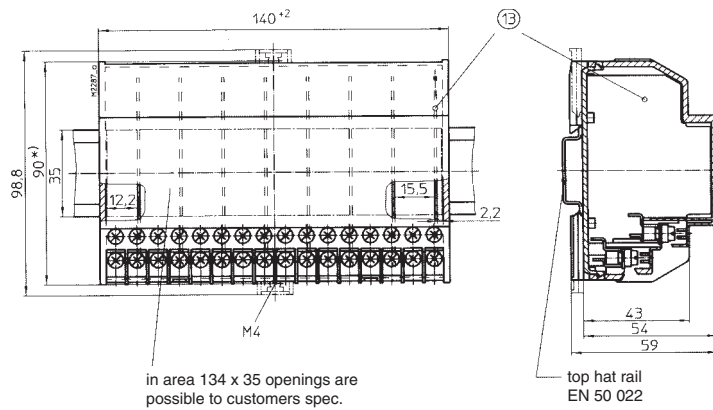
PCBs not included in deliveries

KU 4091.0037203



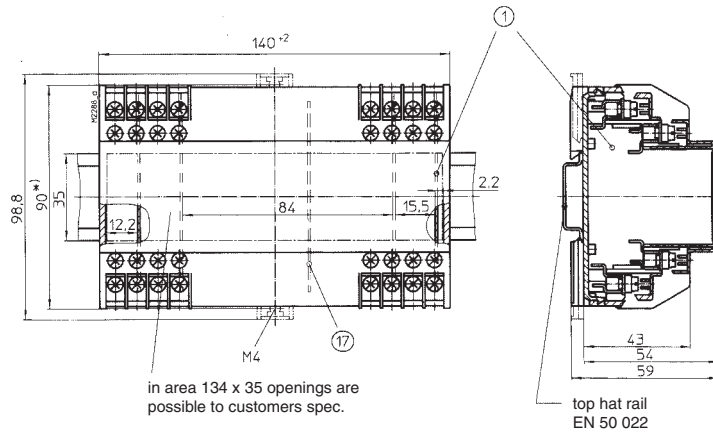
<sup>\*)</sup> 100 mm for use with 2 clips KU 4089-0-29, on request

KU 4091.0037201



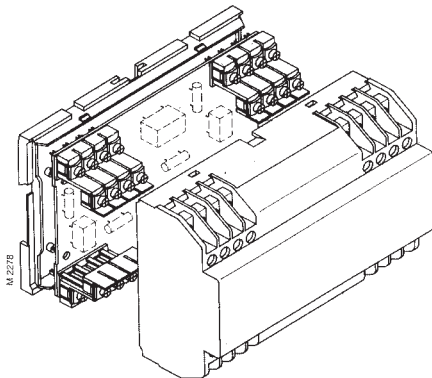
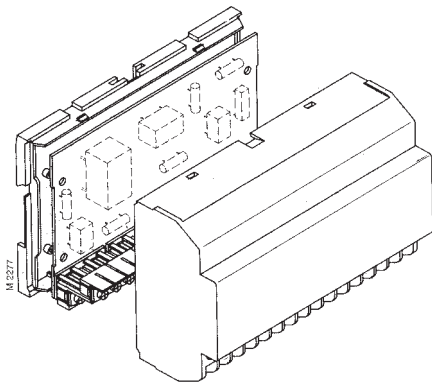
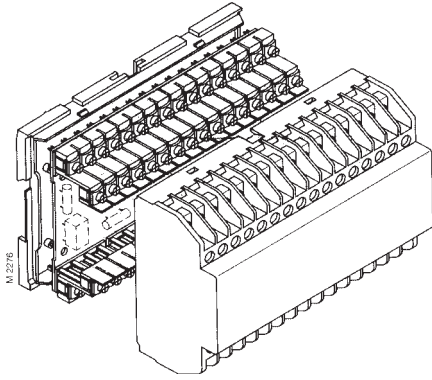
<sup>\*)</sup> 100 mm for use with 2 clips KU 4089-0-29, on request

KU 4091.0037202



<sup>\*)</sup> 100 mm for use with 2 clips KU 4089-0-29, on request

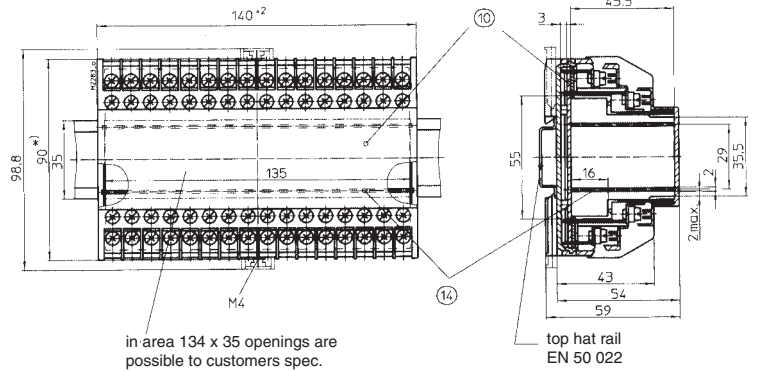
## Exploded views



## Dimensions Enclosure for horizontal PCB

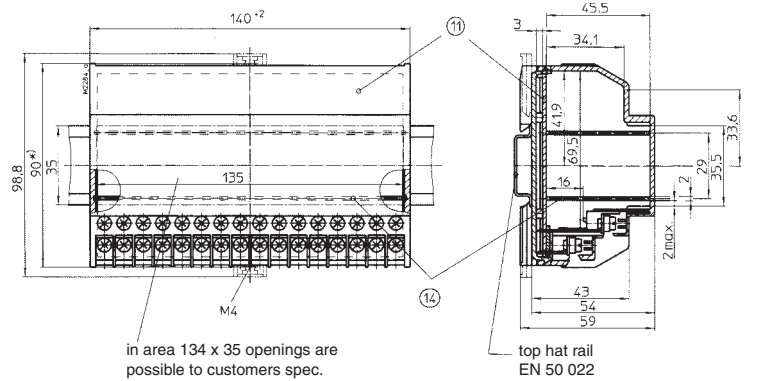
PCBs not included in deliveries

KU 4091.0036973



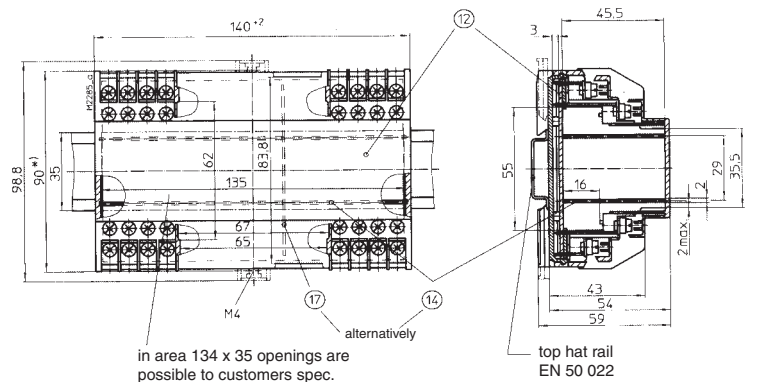
) 100 mm for use with 2 clips KU 4089-0-29, on request

KU 4091.0038002



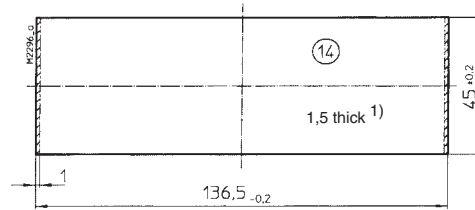
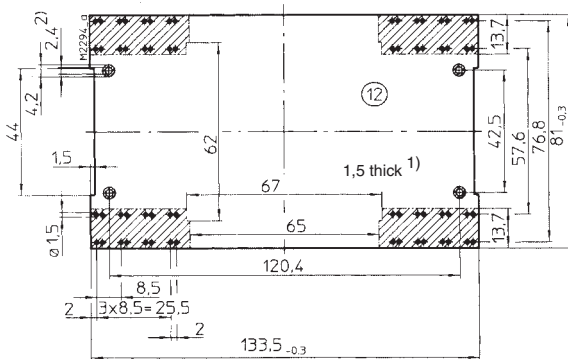
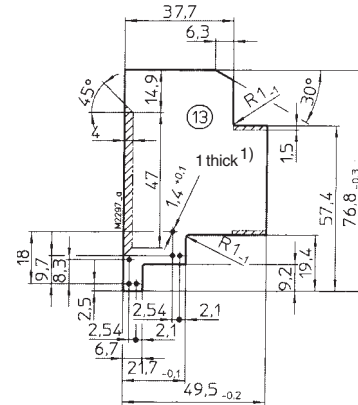
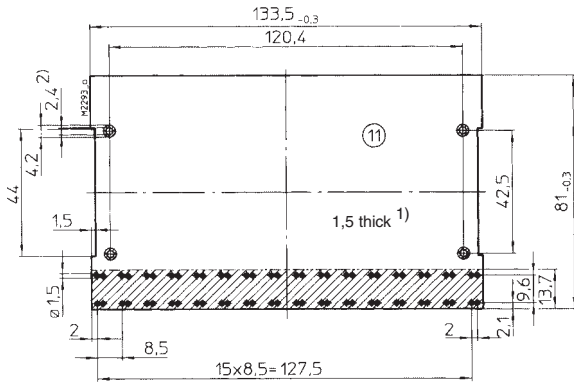
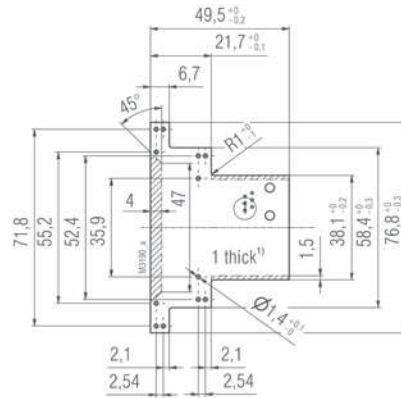
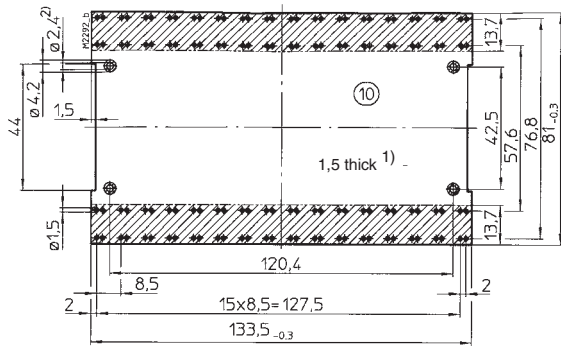
) 100 mm for use with 2 clips KU 4089-0-29, on request

KU 4091.0038001



) 100 mm for use with 2 clips KU 4089-0-29, on request

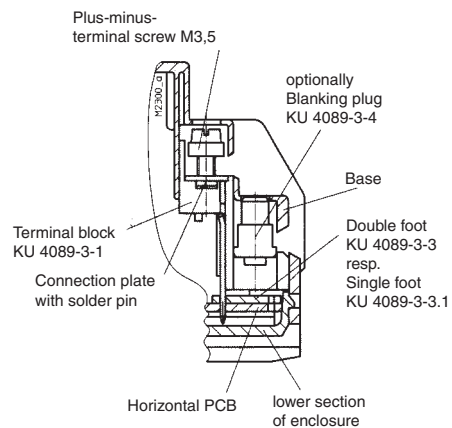
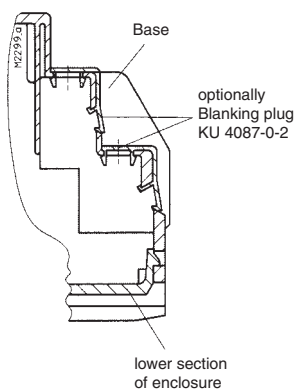
## Printed circuit board designs



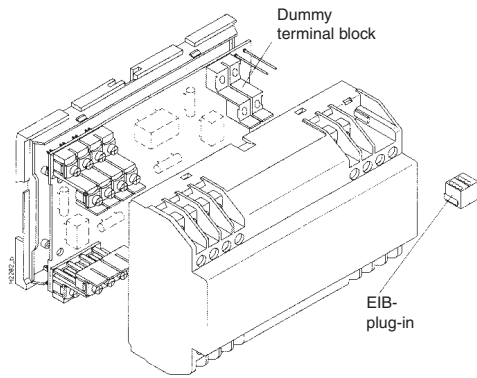
 Inhibited surface

- 1) Tolerance complying with IEC/EN 60249-2-4
- 2) Hole  $\varnothing$  2,4 on request for cylindrical screws ISO 1207 - M2 x 3 not included in deliveries

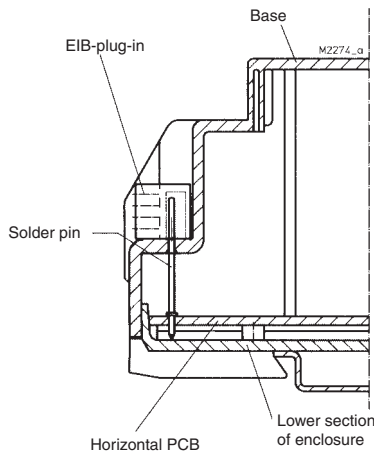
## Accessories



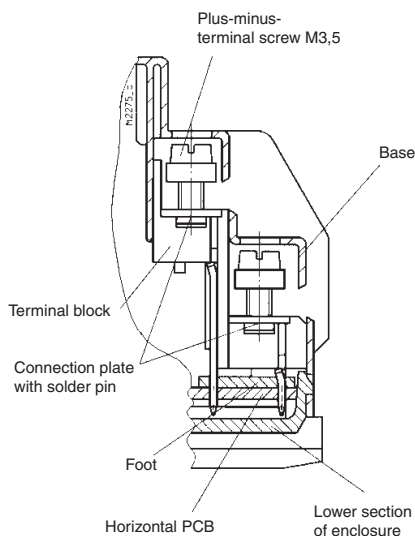
## for EIB-plug-in (24-pole)



- Width 140 mm
- Useable for Sensor and Aktor modules in EIB-system
- For standard EIB-plug-in, 2-pole
- 24 plus-minus-terminal screws with self raising terminal washers
- Part insertion possible, available with blanking plugs



EIB-plug-in



Flat terminals for horizontal PCB

Order reference:  
KU 4091.0047367

24 terminals, diagonally soldering of PCB for EIB-plug-in

EIB-plug-in  
Contact pin:

Ø 1 mm, 25,5 mm large, soldering in PCB

Cross section for plug-in:

4 x 0,8 mm<sup>2</sup> solid, in plug-in technology

BUS-types:

YCYM 2 x 2 x 0,8  
J-Y (ST) Y 2 x 2 x 0,8

Volatage EIB-system:

DC 24 V

KU 4089-3-1:

Dummy terminal block for horizontal PCB are included in delivery

Screw terminal

Number of terminals:

24, < 24 on request

Further technical Data see standard enclosure KU 4091 to

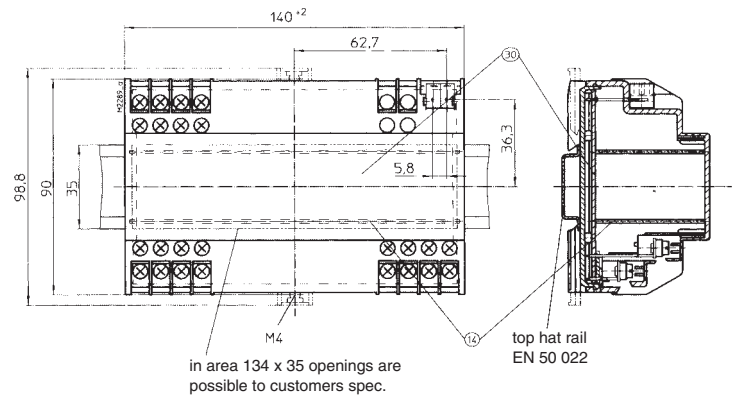
DIN 43 880

Further accessories see standard enclosure KU 4091 to

DIN 43 880

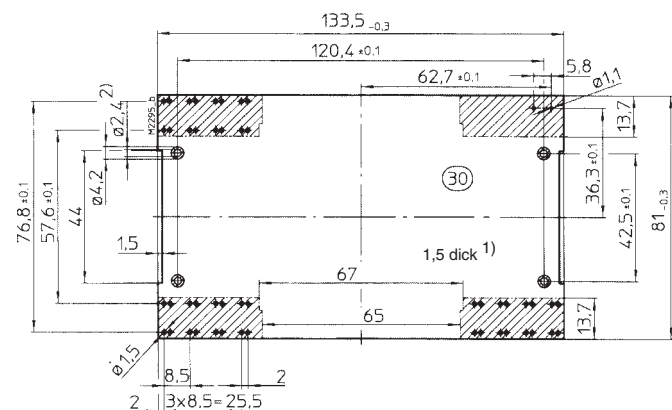
## Dimension

KU 4091.0047367



PCBs not included in delivery; EIB-plug-in see accessories;  
PCB desing 14 see standard enclosure KU 4091 to DIN 43 880.

## Printed circuit board design



▨ Inhibited surface

- 1) Tolerance complying with IEC/EN 60249-2-4
- 2) Hole Ø 2,4 on request for cylindrical screws ISO 1207 - M2 x 3 not included in deliveries

## Cover with ventilation slots

### Technical Data:

Max. permitted power dissipation: 22 W

Specific thermal resistance:  $R_{th} = 2,5 \text{ K / W}$  for stand alone enclosure

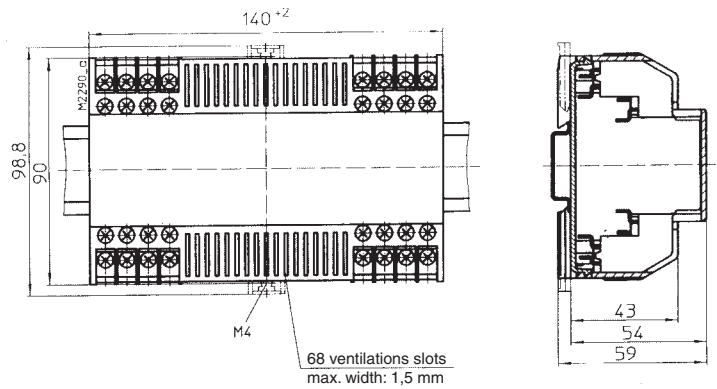
Type of protection

Enclosure: IP 30 IEC 60 529

Further technical Data see standard enclosure KU 4090re technische Daten siehe Standardgehäuse KU 4091

## Maßbilder

KU 4091.0047674 for vertical PCB



KU 4091.0047471 for horizontal PCB

