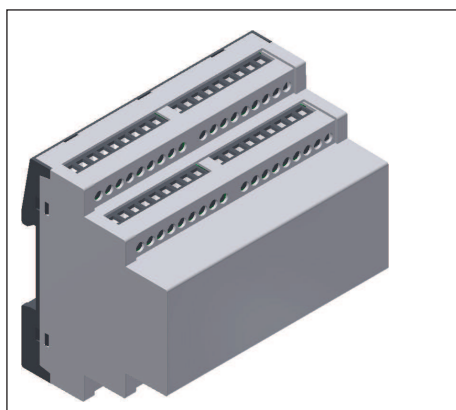


Insulated Enclosures KU 4190

to DIN 43 880 for installation in distribution cabinets
70 mm depth



Your Advantages

- Modular and flexible
- Plenty of space
- Variable connection system
- Can be specifically tailored to customer requirements

Features

- Module widths 105 mm
- Nominal depth 64 mm for overall panel depth maximum 70 mm to DIN 43 880
- Selectable enclosure configurations
 - without terminal
 - with printed circuit board terminals
 - with plug in screw terminals
 - with plug in cage clamp terminals
 - with various terminal combinations
- Suited for the accommodation of up to two horizontal PCBs with terminals and additional PCB for display and control or elements in the housing front; optionally for the accommodation of up to 4 vertical PCBs with terminals
- Enclosure openings for connection terminals, control elements and bus connectors KNX and RJ45 on request
- Base plates available with side walls for mounting of PCB assemblies

Technical Data

Order reference:	Standard	UL
Closed:	0061104	0066511
PCB terminal:	0060124	0066513
Plug in screw terminal:	0060125	0066512
Plug in cage clamp terminal:		0066642

External dimensions: 105 x 90 x 71

Enclosure material
Cover: PC-GF, PC (UL) light grey RAL 7035
Base plate: PC-GF, PC (UL) dark black RAL 9005

Temperature stability	PC-GF	PC (UL)
complying with UL 746 B:	115 °C	115 °C
complying with Vicat ISO 306		
Meth. B:	145 °C	146 °C
compl. with ISO 75-2 (1.8 MPa):	136 °C	123 °C
(0.45 MPa):	142 °C	142 °C

Max. permitted power dissipation: 21 W for stand-alone enclosure at normal climate 23/50-1 ISO 554

Specific thermal resistance: $R_{th} = 4.5 \text{ K / W}$

Flame retardancy complying with UL 94: All Enclosure materials: V-0

Number of terminals: 72; less on request

Enclosure fastener: Snap-on fastener on top hat rail EN 60 715

Creepage current resistance
PC-GF: CTI 175 $\hat{=}$ insulated material III a IEC 60 112
PC: CTI 225 $\hat{=}$ insulated material III a IEC 60 112

Type of protection: Enclosure IP 40 IEC 60 529
Base plate IP 30
(connector cut outs IP 20)

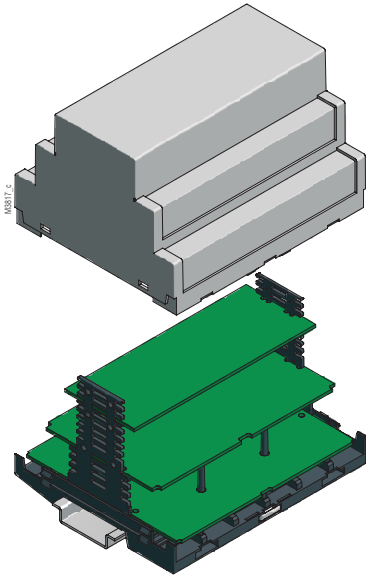
Print area: 104,5 x 41,5 mm

Print circuit board: See printed circuit board design

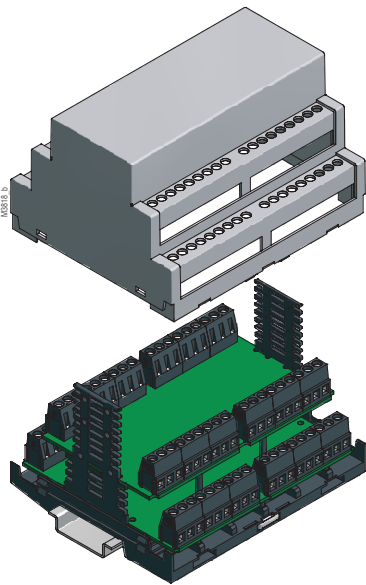
Printed circuit board mounting
horizontal: Fixed to the base by screws and / or by the side walls
vertical: Guides in base and terminal plate

More information see brochure Terminal overview GE02

Exploded view

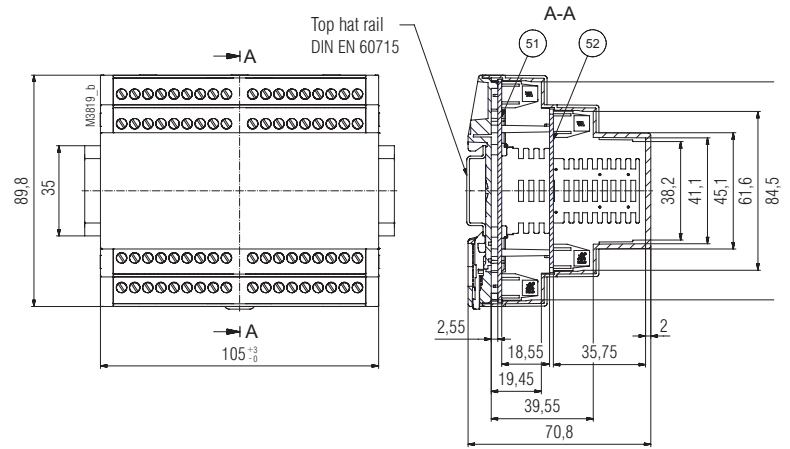
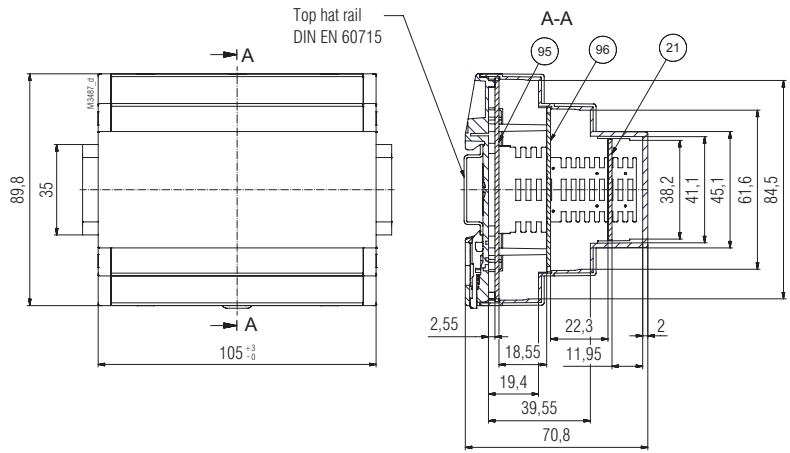


closed

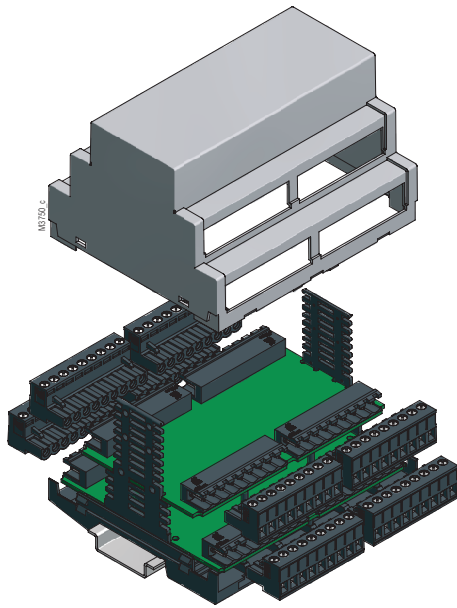


printed circuit board terminal

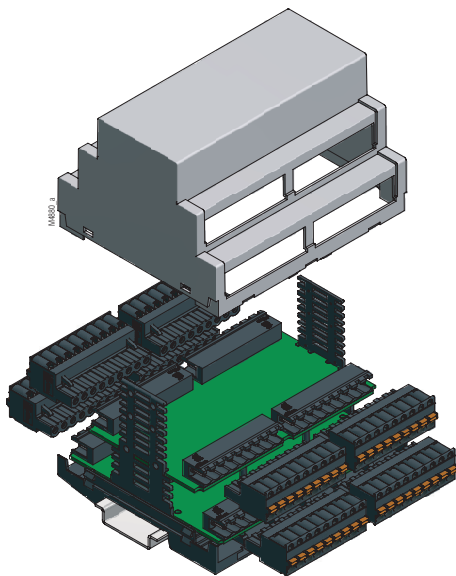
Dimensions



Exploded view

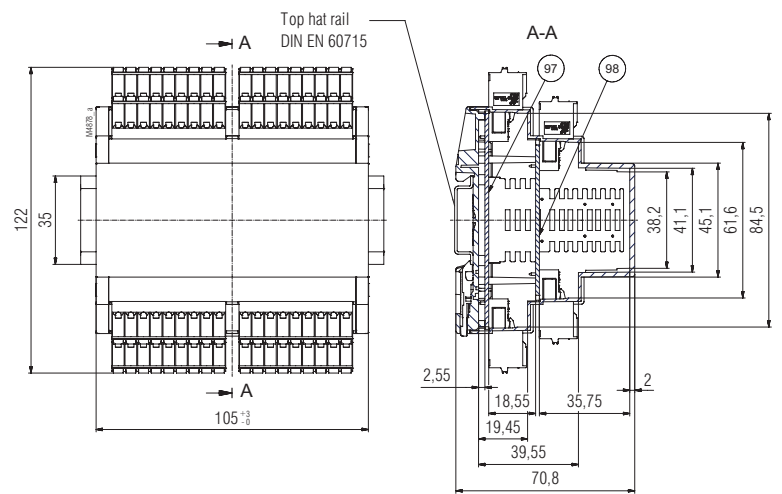
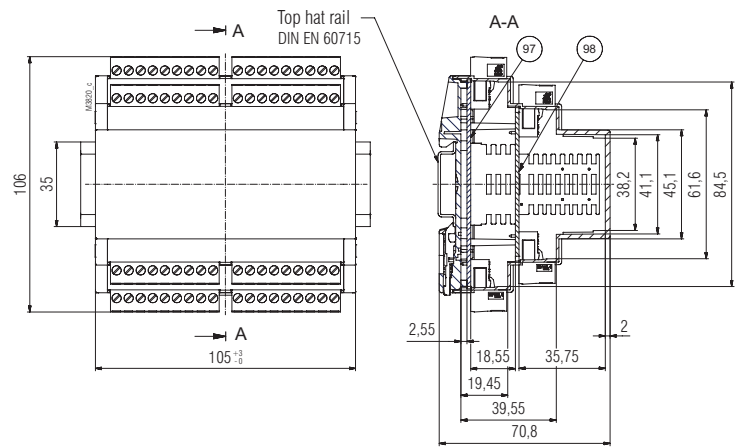


plug in screw terminal

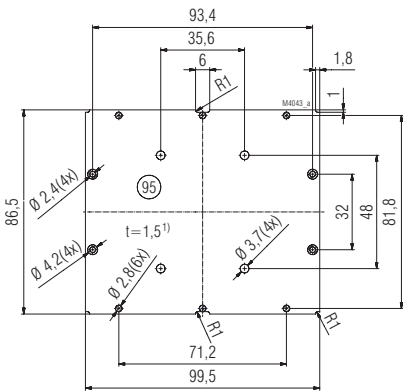


plug in cage clamp terminal

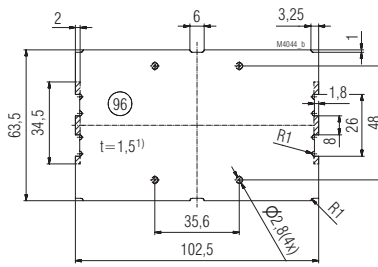
Dimensions



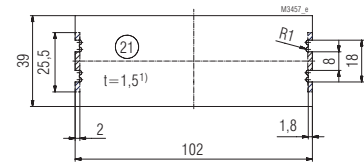
Leiterplattenzuschnitte



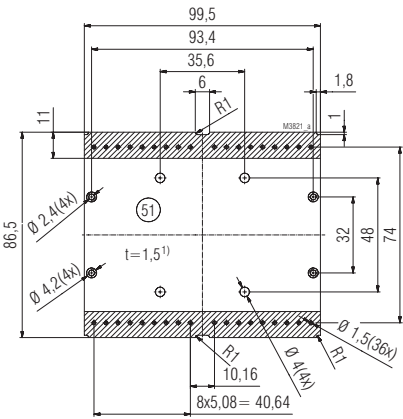
PCB in PCB-position Bottom
for closed res. milled enclosure



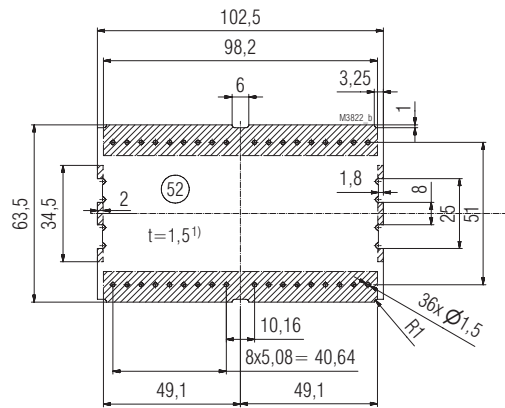
PCB in PCB-position Middle
for closed res. milled enclosure



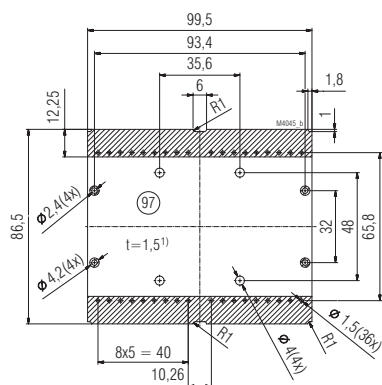
PCB in PCB-position Front
for closed res. milled enclosure



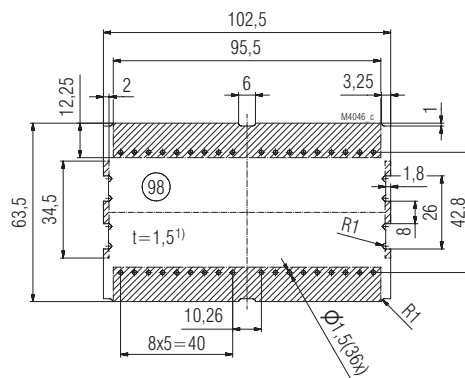
PCB in PCB-position Bottom
for 4 x 9-pole PCB terminals



PCB in PCB-position Middle
for 4 x 9-pole PCB terminals



PCB in PCB-position Bottom
for 4 x 9-pole contact tag row
(plug in screw terminals e.g.
plug in cage clamp terminals)



PCB in PCB-position Middle
for 4 x 9-pole contact tag row
(plug in screw terminals e.g.
plug in cage clamp terminals)



1) Tolerance at DIN EN 60 249-2-4; General tolerance: PERFAG 2 E
Holes Ø 2,4 on request for cylindrical screws ISO 1207 M2x4