

Presentation: Coded

### STS-System Benefits

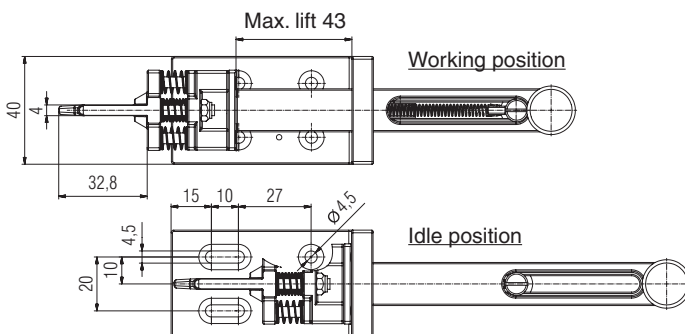
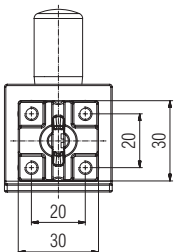
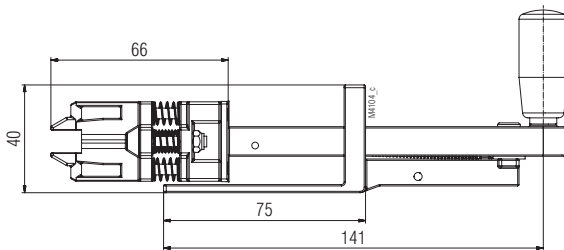
- EU-Test certificate according to the directive 2006/42/EG, annex IX
- For safety applications up to PL/Category 4 according to EN/ISO 13849-1
- Modular and expandable system
- Rugged stainless steel design
- Wireless mechanical safeguarding
- Combines the benefits of safety switch, locking module and key transfer in a single system
- Easy installation through comprehensive accessories
- Protection against lock-in
- Coding level low, medium, high according to DIN EN ISO 14119:2014-03

### Features

- Actuator with sliding bolt
- Flexible and adjustable actuator
- Can be coded
- Optionally with release function
- Manual adjustment of vertical offset during operation

### Dimensional Drawing [mm]

Presentations show the coded version



### Approvals and Marking



### Application

The actuator CS series is used in connection with the SAFEMASTER STS units which are equipped with integrated actuator modules A, B, D, E or K. Generally, the actuators are fitted to the movable part of a separating guard and are used to switch the associated STS unit.

### Design and Operation

The actuator CS consists of a flexible actuator C and additional door handle. It serves as a door bolt on hinged doors. Its special construction permits height differences of  $\pm 6$  mm between door bolt and actuator module. Therefore, this will compensate for installation inaccuracies. Moreover, the actuator CS is designed for high shearing and tension forces to the extent that overload breaks can be largely excluded. Refer to data sheet Actuator C for the adjustment of incline and radius of the actuator CS.

In situations such as safety entries which can be slammed shut with such a great force that the more simple actuators T and C can no longer ensure a perfect function of the actuator module, the actuators CS are used.

The actuator CS is designed in such a way that in a damaged condition, that is, with screws coming loose, it still keeps the hinged door secured by it reliably locked.

### ATTENTION!



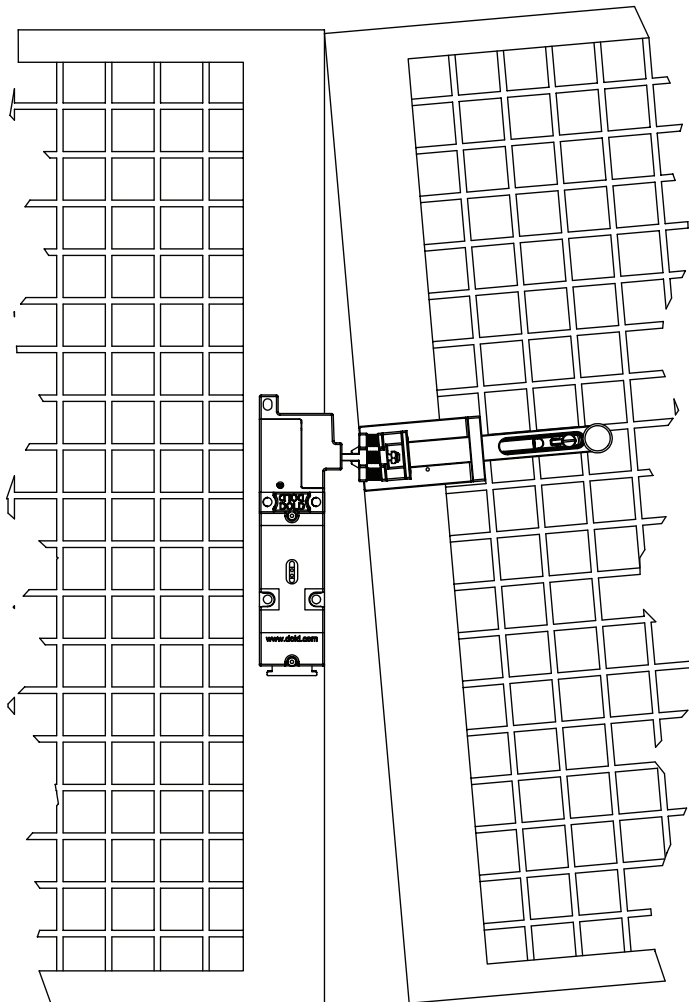
Prerequisite: The gap to safety gate and door frame must be smaller than 15 mm.

### Technical Data

#### Material

Actuator: Stainless steel V4A / AISI 316  
Spring: V2A / AISI 304  
Handle: ABS

## Inaccurate door adjustment



M4127\_a

## Variants

### CS1

If the actuator CS is to be fitted in a vertical position, the CS1 version is to be selected. It was specifically designed for vertical installation and is equipped by a stronger return spring. This also pulls the actuator safely up against the gravitational force.

The installed actuator C is mounted rotated by 90°.

### CS2

This version has a limited vertical offset

### CS3

This version is equipped with a stronger return spring for vertical installation. The installed actuator C is not installed rotated.

### CKS

The actuator CS can also be coded. The delivery of this coded actuator is always done in pairs with an associated coded actuator module D or E. Different types of coding are available. The coding used will not be identified on the actuator. The product designation then becomes CKS. Coding level medium according to DIN EN ISO 14119:2014-03

### CSF

In addition, these actuators can be designed with an opening of escape release function (pull cable with handle). In this case, the product designation receives the letter F in addition.

Examples: actuator CSF or CKSF.

Refer to the customer information for additional details on selecting the actuator.

## Accessories

### Mounting plate CS

To facilitate mounting to machines and plants (see separate data sheet mounting plate CS)

## Ordering Designation

Actuator CS

Article number: 0062334

Actuator CS1

Article number: 0063749

Actuator CS2

Article number: 0064327

Actuator CS3

Article number: 0064857

Actuator CKS

Article number: 0063968

Actuator CSF

Article number: 0065112