

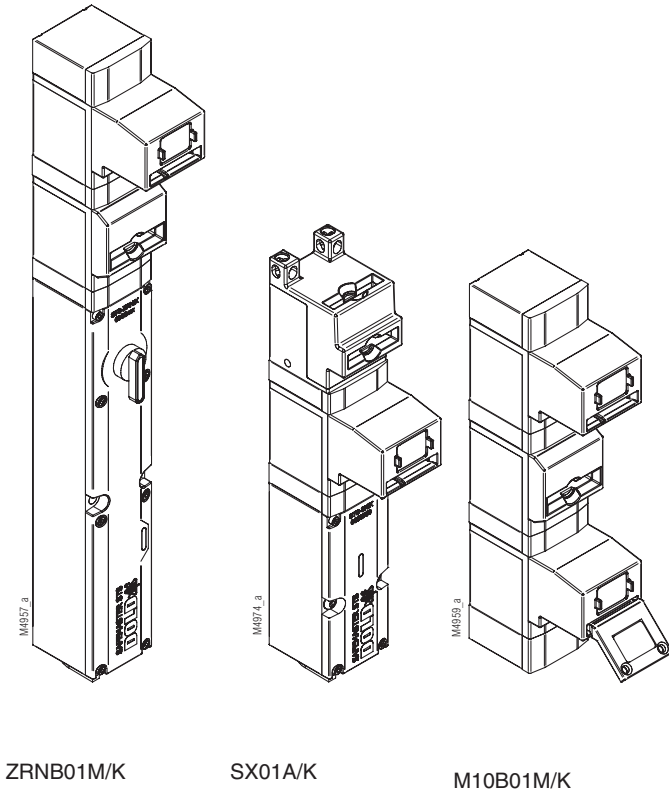
STS/K-System Benefits

- EU-Test certificate according to the directive 2006/42/EG, annex IX
- For safety applications up to PLe/Category 4 according to EN/ISO 13849-1
- Modular and expandable system
- Rugged stainless steel and plastic design
- Wireless mechanical safeguarding
- Easy installation through comprehensive accessories
- Protection against lock-in
- Coding level low, medium, high according to DIN EN ISO 14119:2014-03

Features

- Key modules to force operating sequences
- Module expansions possible below and above the module
- With or without protective cover installed
- Facilitate protection against lock-in
- Reduces wiring work and analysis function in the switching cabinet
- Choice of direction in 4 increments of 90°
- This module is also available in stainless steel

Installation Examples



Approvals and Markings



Application

The key module is built together with other modules to form a STS-unit. The key is used thereby for unlocking or locking of functions. The module can be installed in 4 positions, each rotated by 90°.

ATTENTION !



Mechanical function modules can be installed above and/or below the key module!

Electrical modules can only be installed below the key module!

Design and Operation

This is an extremely robust and flexible key module, which mechanically monitors the safeguarding of a function in the system, for instance, opening or locking a guard or door and thereby forcing a process.

The monitoring function is achieved in combination with additional function modules such as switch, door lock or actuator modules. The essential functions of key modules consist of ensuring a determined operating sequence. Securing separating guards is the main application. Releasing or blocking certain functions in a predefined sequence is thereby decisive.

Example SX01A/K

The switch module is deactivated and blocked by removing the key. Access is released. The removed key in this case serves as prevention against lock-in and allows further mechanically secured entries to open in the system. It is also secured again with key modules. They may also consist only of mechanical units.

The insertion or removal of a key from the key module determines whether a guard door or door lock can be opened or closed or if switching circuits can be activated or deactivated.

Technical Data

Enclosure: PA + GF
Internal parts and inserting slots: Stainless steel V4A / AISI 316 / AISI 630
Ambient temperature: - 25 °C bis + 60 °C
Variant:

- Key module 01:
Removal of the key to release the upper module and lock the lower module
- Key module 10:
Inserting the key to release the upper module and lock the lower module

Coding level high according to DIN EN ISO 14119:2014-03

ATTENTION !



To avoid wrong usage (e.g. by overload, mounting position or usage in acid, alkaline or other hostile ambient conditions) the limitations of the product have to be observed. Please check in advance if your application requires the usage of the more robust stainless steel model of SAFEMASTER STS. The requirements of the mounting and operating instruction must be fulfilled.

Ordering Designation

Key module 01/K
Article number: 0065892

Key module 10/K
Article number: 0066313

Key module 01S/K
Article number: 0066982

Key module 10S/K
Article number: 0066983

Variants and Accessories

Key modules with protective cover

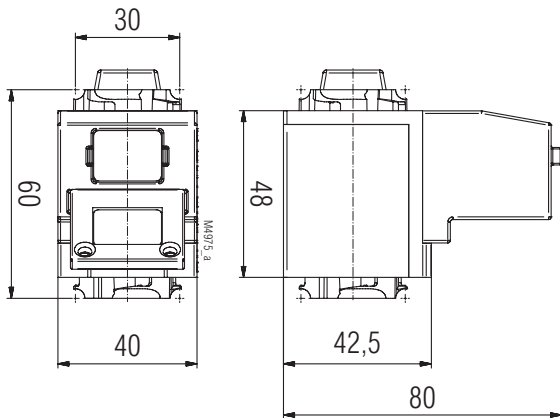
The key modules can be alternatively equipped with a protective cover. It is located in the key insertion opening. When the key is pulled out it offers protection from penetrating dirt like sand and dust. Since the SAFEMASTER STS/K for key coding works with a coding barrel and not with delicate pins, this protective cover together with the lateral cleaning holes is sufficient as protective measure against most of the dirt. The protective cover offers only limited protection against the penetration of fluids.

The key modules with protective covers receive an additional „S“ at the end of their normal type designation. Therefore, their full designation is 01S/K or 10S/K.

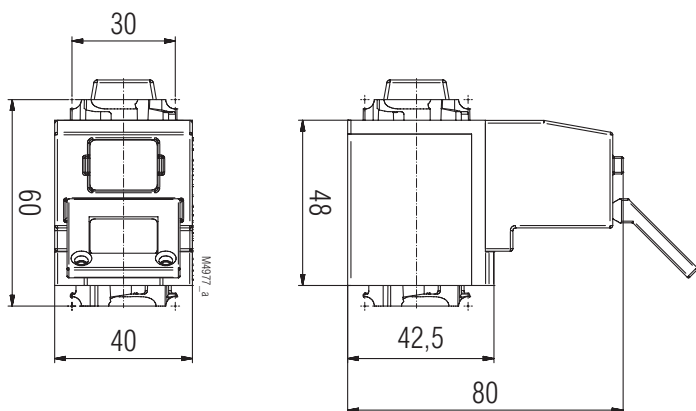
Examples of devices with protective cover:

M10SA/K, M11SBM/K, SX02SM/K.

Dimensions [mm]



Key module 01/K



Key module 10/K