

STS/K-System Benefits

- EU-Test certificate according to the directive 2006/42/EG, annex IX
- For safety applications up to PLe/Category 4 according to EN/ISO 13849-1
- Modular and expandable system
- Rugged stainless steel and plastic design
- Wireless mechanical safeguarding
- Combines the benefits of safety switch, solenoid locking and key transfer in a single system
- Easy installation through comprehensive accessories
- Protection against lock-in
- Coding level low, medium, high according to DIN EN ISO 14119:2014-03

Features

- To operate STS/K units
- Custom labelling
- Forced operating sequences
- Allows protection against being locked in
- Service and group keys according to customers requirements

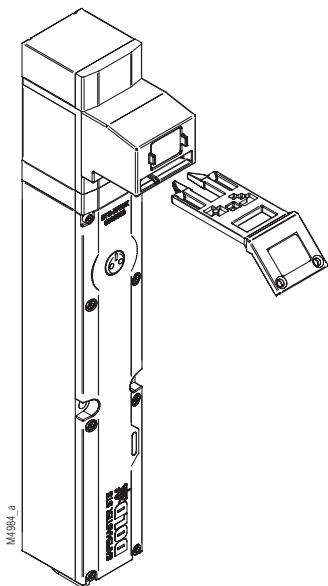
Product Description

The Key/K is used to enable or to lock functions and in addition can provide protection against being locked in, operate authorisation sequences or force operating sequences.

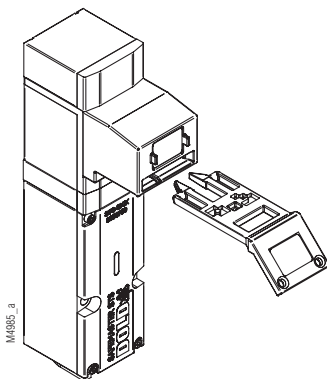
Approvals and Markings



Installation Examples



Key extracted with unit
ZRH01M/K



Key extracted with unit
SX01M/K

Application

The key module is built together with other modules to form a STS-unit. The key is used thereby for unlocking or locking of functions. The module can be installed in 4 positions, each rotated by 90°.

ATTENTION !



Mechanical function modules can be installed above and/or below the key module!

Electrical modules can only be installed below the key module!

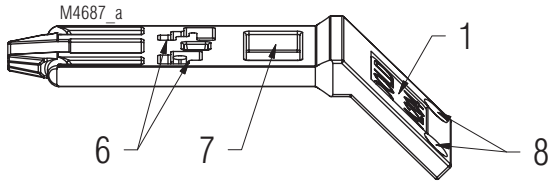
Design and Operation

To operate the safety switch and key interlock system SAFEMASTER STS/K the key allows over 50,000 different codes (coding level high acc. to DIN EN ISO 14119:2014-03) in combination with the corresponding key modules 01/K, 10/K, 01S/K, 10S/K, R1/K and R1S/K. Depending on the application a key can release or lock other key modules.



The excellent handling of a key transfer system is also depending on the ergonomy of the keys. So the key is designed to suit the hand.

Design and Operation



Key

- 1 Label
- 6 Coding area
- 7 Cut out for padlocks
- 8 Fixing holes

ATTENTION!



Declaration to provide key duplicates, master and general keys and more spare parts for SAFEMASTER STS/K System.

A key transfer system is designed to protect people, machines, Plants and goods against danger and damage. This can be achieved by forcing an operating sequence to open a separating guard. The same is applicable for a safety switch and key interlock system SAFEMASTER STS/K.

Danger for life may be caused by manipulation of guarded access doors using several keys with identical function (duplicates, master- and general keys) in addition to the original keys of a system (see product standard DIN EN ISO 14119:2014-03). The same is applicable for spare parts e.g. actuators, that can be used to manipulate a system.

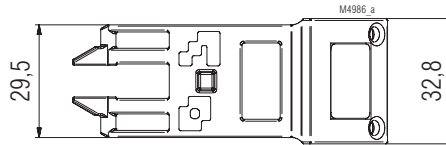
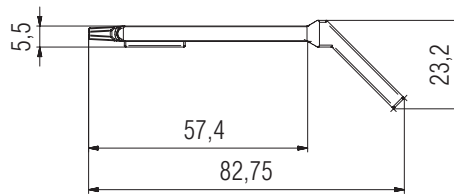
Before we can deliver duplicate, master or general keys or other spare parts, we need your confirmation that you have read and understood this warning. Please ask for the confirmation form.

Technical Data

Material:

Key: Stainless steel V4A / AISI 316
Label: ABS-plastic

Dimension [mm]



Key

Variants and Accessories

The labels can be engraved with 3 lines and 10 characters per line. The standard labels are orange with black characters. Other colour combinations are available on request:

Label area	Font	Availability
Orange	black	Standard
White	black	on request
Red	white	on request
Black	white	on request
Green	white	on request
Blue	white	on request

Ordering Designation

Key/K

Article number: 0060985