

Presentation:
key extracted

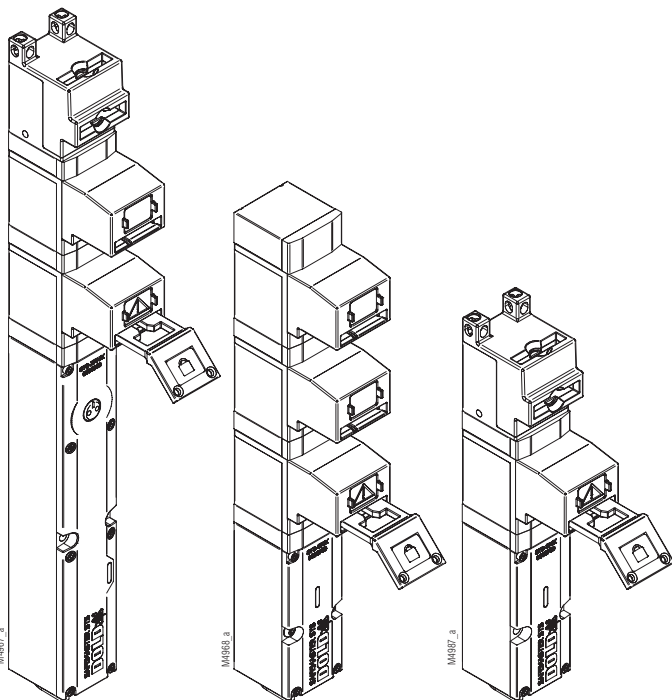
STS/K-System Benefits

- EU-Test certificate according to the directive 2006/42/EG, annex IX
- For safety applications up to PLe/Category 4 according to EN/ISO 13849-1
- Modular and expandable system
- Rugged stainless steel and plastic design
- Wireless mechanical safeguarding
- Combines the benefits of safety switch, locking module and key transfer in a single system
- Easy installation through comprehensive accessories
- Protection against lock-in
- Coding level low, medium, high according to DIN EN ISO 14119:2014-03

Features

- Permits personal influence on a safety concept
- For up to 3 padlocks with shackle diameters from min. 6 mm to max. 8 mm
- Module expansions possible below and above the module
- Allows blocking of entries and control elements
- Choice of direction in 4 increments of 90°
- This module is also available in stainless steel

Installation Examples



ZRHV01A/K

SXV02M/K

SXVA/K

Approvals and Markings



Application

The padlock module V/K is assembled together with other modules into an STS/K unit and can be locked with a padlock. It is hung up on the **nonremovable key**. The key is used thereby for unlocking or locking of functions. The module can be installed in 4 positions, each rotated by 90°.

ATTENTION !



Mechanical function modules can be installed above and/or below the padlock module!

Electrical modules can only be installed below the padlock module!

Design and Operation

Robust and flexible padlock reliably monitoring locking by mechanical means, e.g. of protective hood or door, switch or door lock, thus enabling personal protection measures.

To fulfil its function, the module must be used in connection with other function modules such as switch, solenoid lock, actuator or key modules. These modules are always installed at a strategic location in the system to ensure forced operation.

The padlock module therefore offers the operating personnel the possibility of taking control of their own safety.

Example M10VBM/K

A key must first be inserted here in the key module and the key on the padlock module must be subsequently pulled. Only then can it be secured with a padlock before a door or hood can be opened. The removal of the key on the padlock locks the key module 10/K and unlocks the actuator module B/K. Hooking in the padlock in this case serves as a personal security measure against being locked in.

Technical Data

Enclosure: PA + GF
Internal parts and inserting slots: Stainless steel V4A / AISI 316 / AISI 630
Ambient temperature: - 25 °C bis + 60 °C
Variant:

- **Padlock module V/K:**
For the release of the upper module and locking of the lower module the non-removable key must be pulled out; option of hanging up 1 to 3 padlocks
- **Padlock module W/K:**
Inverted design of padlock module V; for the release of the lower and locking of the upper module then nonremovable key must be pulled out; option of hanging up 1 to 3 padlocks

Ordering Designation

Padlock module V/K
Article number: 0066794

Padlock module W/K
Article number: 0066984

Variants and Accessories

The padlock module W/K has an inverted working principle compared to padlock module V/K and is used to lock an access or switch with the help of a padlock. To release a process, the key of the padlock module W must be inserted. Padlock modul W are ideally suited for inverted applications with the actuator modules K/K

ATTENTION !



To avoid wrong usage (e.g. by overload, mounting position or usage in acid, alkaline or other hostile ambient conditions) the limitations of the product have to be observed. Please check in advance if your application requires the usage of the more robust stainless steel model of SAFE-MASTER STS. The requirements of the mounting and operating instruction must be fulfilled.

Dimensions [mm]

