

Presentation: Coded

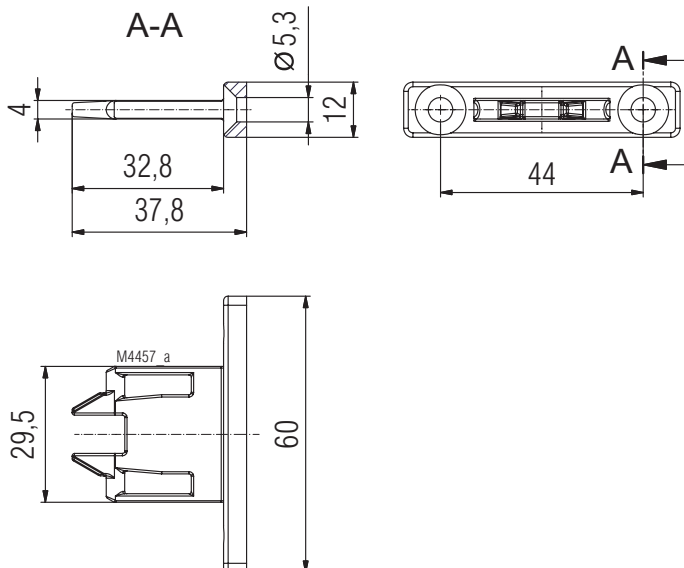
STS-System Benefits

- EU-Test certificate according to the directive 2006/42/EG, annex IX
- For safety applications up to PLe/Category 4 according to EN/ISO 13849-1
- Modular and expandable system
- Rugged stainless steel design
- Wireless mechanical safeguarding
- Combines the benefits of safety switch, locking module and key transfer in a single system
- Easy installation through comprehensive accessories
- Protection against lock-in
- Coding level low, medium, high according to DIN EN ISO 14119:2014-03

Features

- Rigid actuator
- Can be coded
- Economically priced

Dimensional Drawing [mm]



Approvals and Marking



Application

The standard actuator T is used in connection with the SAFEMASTER STS units which are equipped with integrated actuator modules A, B, D, E or K. Generally, it is fitted to the movable part of a separating guard and is used to switch the associated STS unit. This simple actuator is ideal for standard applications with normal strain and for constructive devices such as sliding bolts.

Notes

The standard actuator T is not suitable for applications in which an overload of the associated STS unit may occur. Such an example is a manually operated sliding door, the protection of which is achieved by an STS unit with a key module above the actuator module (for instance, SXB01M). In trying to close the door forcefully without first inserting the required key into the key module, the actuator module will remain blocked. The effect of the force of the slammed door may damage the standard actuator or the actuator module.

Recommendation:

We therefore recommend the actuator C or actuator CS for such applications. Additional information is available in the data sheets actuator C or actuator CS in the customer information on the issue of overloading.

Variants and Accessories

The standard actuator T is also available as coded version. The product designation of the actuator T then becomes actuator TK.

Coding level medium according to DIN EN ISO 14119:2014-03

Ordering Designation

Standard actuator T	
Article number:	0064823
Standard actuator TK	
Article number:	0066199

