

Valid as of version
PROFIBUS DP V 3.06.XX (Device software)
PROFIBUS PA V 3.06.XX (Device software)

Operating Instructions

Proline t-mass 65

PROFIBUS DP/PA

Thermal Mass Flowmeter

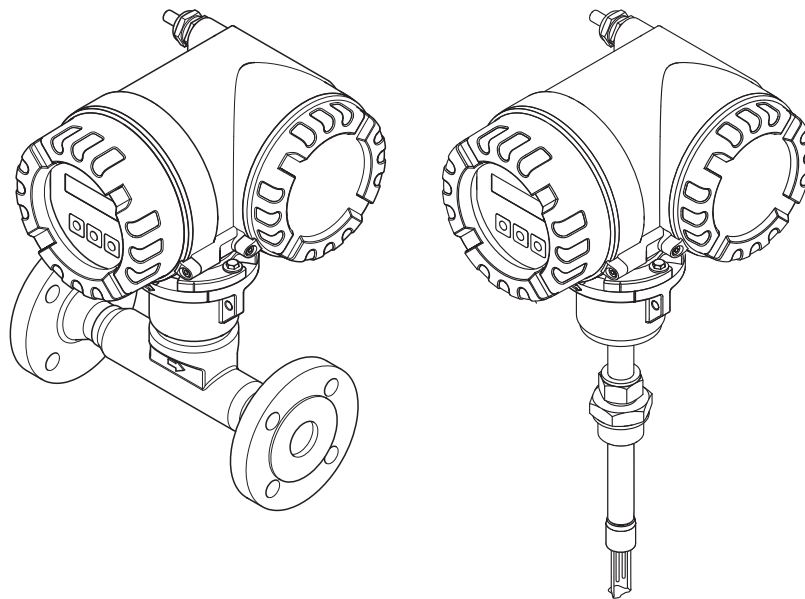





Table of contents

1	Document information	3	8	Maintenance	88
1.1	Document conventions	3	8.1	External cleaning	88
2	Safety instructions	5	8.2	Pipe cleaning	88
2.1	Designated use	5	8.3	Sensor cleaning	88
2.2	Installation, commissioning and operation	5	8.4	Replacing seals	89
2.3	Operational safety	6	8.5	In-situ calibration	89
2.4	Return	6	8.6	Recalibration	89
2.5	Product safety	6	9	Accessories	90
3	Identification	7	9.1	Device-specific accessories	90
3.1	Device designation	7	9.2	Service-specific accessories	90
3.2	Certificates and approvals	10	10	Trouble-shooting	92
3.3	Registered trademarks	10	10.1	Trouble-shooting instructions	92
4	Installation	11	10.2	System error messages	93
4.1	Incoming acceptance, transport and storage	11	10.3	Process error messages	100
4.2	Installation conditions	12	10.4	Process errors without messages	100
4.3	Installation	19	10.5	Spare parts	102
4.4	Post-installation check	27	10.6	Return	109
5	Electrical connection	28	10.7	Disposal	109
5.1	Cable specifications	28	10.8	Software history	110
5.2	Connecting the remote version	29	11	Technical data	111
5.3	Connecting the measuring unit	31	11.1	Applications	111
5.4	Degree of protection	35	11.2	Function and system design	111
5.5	Post-connection check	36	11.3	Input	111
6	Operation	37	11.4	Output	112
6.1	Quick operation guide	37	11.5	Power supply	113
6.2	Display and operating elements	38	11.6	Performance characteristics	113
6.3	Brief operating instructions for the function matrix 39		11.7	Installation	116
6.4	Error messages	41	11.8	Environment	116
6.5	Operating options	42	11.9	Process	116
6.6	PROFIBUS DP hardware settings	44	11.10	Mechanical construction	118
6.7	PROFIBUS PA hardware settings	47	11.11	Operability	120
7	Commissioning	49	11.12	Certificates and approvals	120
7.1	Function check	49	11.13	Ordering information	122
7.2	Switching on the measuring device	49	11.14	Accessories	122
7.3	Quick Setup	49	11.15	Documentation	122
7.4	Commissioning the PROFIBUS interface	60	Index	123	
7.5	PROFIBUS DP/PA system integration	62			
7.6	PROFIBUS DP cyclic data transmission	65			
7.7	PROFIBUS PA cyclic data transmission	74			
7.8	PROFIBUS DP/PA acyclic data transmission	83			
7.9	Adjustment	84			
7.10	Data storage device (HistoROM)	85			






1 Document information

1.1 Document conventions









1.1.1 Safety symbols

Symbol	Device particularities and document content
 Caution!	"Caution" indicates an action or procedure which, if not performed correctly, can result in incorrect operation or destruction of the device. Comply strictly with the instructions.
 Warning!	"Warning" indicates an action or procedure which, if not performed correctly, can result in injury or a safety hazard. Comply strictly with the instructions and proceed with care.
 Note!	"Note" indicates an action or procedure which, if not performed correctly, can have an indirect effect on operation or trigger an unexpected response on the part of the device.




1.1.2 Electrical symbols

Symbol	Meaning
 A0011197	Direct current A terminal at which DC voltage is present or through which direct current flows.
 A0011198	Alternating current A terminal at which alternating voltage (sinusoidal) is present or through which alternating current flows.
 A0011200	Ground connection A grounded terminal which, as far as the operator is concerned, is grounded via a grounding system.
 A0011199	Protective ground connection A terminal which must be connected to ground prior to establishing any other connections.
 A0011201	Equipotential connection A connection that must be connected to the plant grounding system: This may be a potential equalization line or a star grounding system depending on national or company codes of practice.

1.1.3 Symbols for types of information

Symbol	Meaning
 A0011182	Permitted Indicates procedures, processes or actions that are permitted.
 A0011183	Preferred Indicates procedures, processes or actions that are preferred.
 A0011200	Forbidden Indicates procedures, processes or actions that are forbidden.
 A0011193	Tip Indicates additional information.
 A0011194	Reference to documentation Refers to the corresponding device documentation.
 A0011195	Reference to page Refers to the corresponding page number.
1., 2., 3. etc.	Series of steps
	Result of a sequence of actions
 A0013562	Help in the event of a problem

1.1.4 Symbols for graphics

Symbol	Meaning
1, 2, 3 etc.	Item numbers
A, B, C etc.	Views
A-A, B-B, C-C etc.	Item numbers
 A0013441	Flow direction
 A0011187	Hazardous area Indicates the hazardous area.
 A0011187	Safe area (non-hazardous area) Indicates the non-hazardous area.

2 Safety instructions

2.1 Designated use

The measuring device described in these Operating Instructions is to be used only for measuring the mass flow rate of gases (e. g. kg, Nm³ sft³). At the same time, it also measures gas temperature. The measuring device can be configured to measure a standard range of pure gases or gas mixtures.

Examples:

- Air
- Oxygen
- Nitrogen
- Carbon Dioxide
- Argon, etc.

The use with corrosive, saturated or unclean gases should be treated with caution. In such cases, please contact your Endress+Hauser sales center for clarification. The use with unstable gases or gases not deemed to be suitable by Endress+Hauser must be avoided. The measuring device is not designed to be used with liquids or fluids in the liquid phase.

Resulting from incorrect use or from use other than that designated, the operational safety of the measuring devices can be jeopardized. The manufacturer accepts no liability for damages being produced from this.

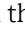
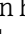
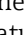
2.2 Installation, commissioning and operation

Note the following points:


- Installation, connection to the electricity supply, commissioning, operation and maintenance of the measuring device must be carried out by trained, qualified specialists authorized to perform such work by the facility's owner operator. The specialist must have read and understood these Operating Instructions and must follow the instructions they contain.
- Endress+Hauser is willing to assist in clarifying the chemical resistance properties of parts wetted by special fluids, including fluids used for cleaning. However small changes in temperature, concentration or the degree of contamination in the process can result in changes of the chemical resistance properties. Therefore, Endress+Hauser can not guarantee or accept liability for the chemical resistance properties of the fluid wetted materials in a specific application. The operator is responsible for the choice of fluid wetted materials in regards to their in-process resistance to corrosion.
- If carrying out welding work on the piping, the welding unit should not be grounded by means of the measuring device.
- The installer must ensure that the measuring device is correctly wired in accordance with the wiring diagrams. The transmitter must be grounded unless special protection measures have been taken e.g. galvanically isolated power supply SELV or PELV! (SELV = Safe Extra Low Voltage; PELV = Protective Extra Low Voltage)
- Invariably, local regulations governing the opening and repair of electrical devices apply.

2.3 Operational safety

Note the following points:

- Measuring devices for use in hazardous environments are accompanied by separate "Ex documentation", which is an integral part of these Operating Instructions. Strict compliance with the installation instructions and ratings as stated in this supplementary documentation is mandatory.
The symbol on the front of this supplementary Ex documentation indicates the approval and the certification body (e.g.  Europe,  USA,  Canada).
- Burn hazard! When hot fluid passes through the measuring tube, the surface temperature of the housing increases. In the case of the sensor, in particular, users should expect temperatures that can be close to the fluid temperature. If the temperature of the fluid is high, implement sufficient measures to prevent burning or scalding.
- The measuring device complies with the general safety requirements in accordance with EN 61010-1, the EMC requirements of IEC/EN 61326, and NAMUR recommendation NE 21, NE 43 and NE 53.
- The separate document on the Pressure Equipment Directive must be observed for measuring devices used in Category II or III installations in accordance with the Pressure Equipment Directive.
- The manufacturer reserves the right to modify technical data without prior notice. Your Endress+Hauser sales center will supply you with current information and updates to these Operating Instructions.

2.4 Return

- Do not return a measuring device if it is not absolutely certain that it has been fully cleaned of all traces of hazardous substances, e.g. substances which have penetrated crevices or diffused through plastic.
- Costs incurred for waste disposal and injury (burns, etc.) due to inadequate cleaning of the measuring device will be charged to the owner-operator.
- Refer to the measures on →  109.

2.5 Product safety

This measuring device is designed in accordance with good engineering practice to meet state-of-the-art safety requirements, has been tested, and left the factory in a condition in which it is safe to operate. It complies with the applicable standards and regulations in accordance with EN 61010-1 "Safety requirements for electrical equipment for measurement, control and laboratory use". It can, however, be a source of danger if used incorrectly or for other than the designated use.

3 Identification

3.1 Device designation

The "t-mass 65" measuring device consists of the following components:

- t-mass 65 transmitter
- t-mass F, t-mass I sensors

Two versions are available:

- Compact version: transmitter and sensor form a single mechanical unit.
- Remote version: transmitter and sensor are installed separately.

3.1.1 Nameplate of the transmitter

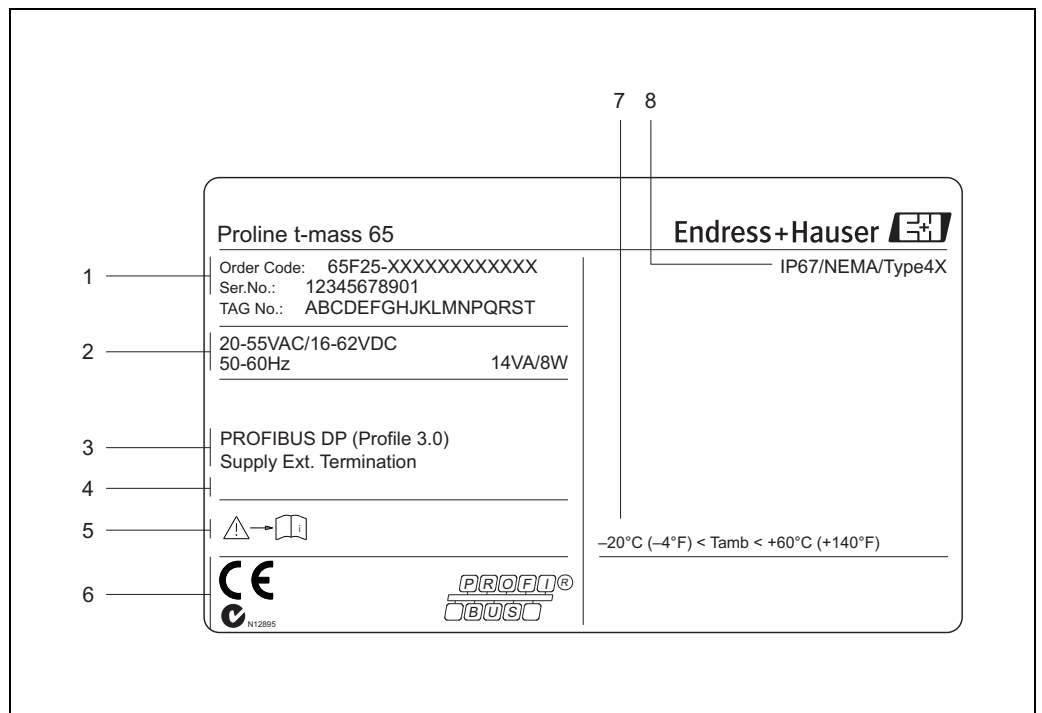
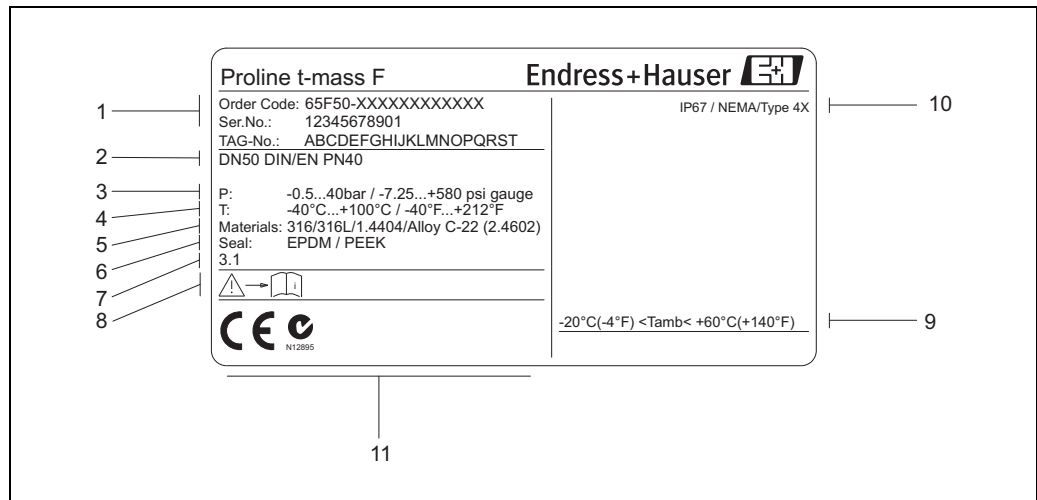


Fig. 1: Nameplate specifications for the "t-mass 65" transmitter (example)

- 1 Order code, serial number: See the specifications on the order confirmation for the meanings of the individual letters and digits.
- 2 Power supply, frequency, power consumption
- 3 Available inputs/outputs:
- 4 Reserved for information on special products
- 5 Please refer to measuring device documentation
- 6 Reserved for certificates, approvals and for additional information on device version
- 7 Ambient temperature range
- 8 Degree of protection

3.1.2 Nameplate of the sensor



A0005512

Fig. 2: Nameplate specifications for the "t-mass F" sensor (example)

- 1 Order code, serial number: See the specifications on the order confirmation for the meanings of the individual letters and digits.
- 2 Nominal diameter device
- 3 Pressure range
- 4 Temperature range
- 5 Material of measuring tubes
- 6 Seal material
- 7 Reserved for information on special products
- 8 Please refer to measuring device documentation
- 9 Ambient temperature range
- 10 Degree of protection
- 11 Reserved for additional information on device version (approvals, certificates)

3.1.3 Nameplate for connections

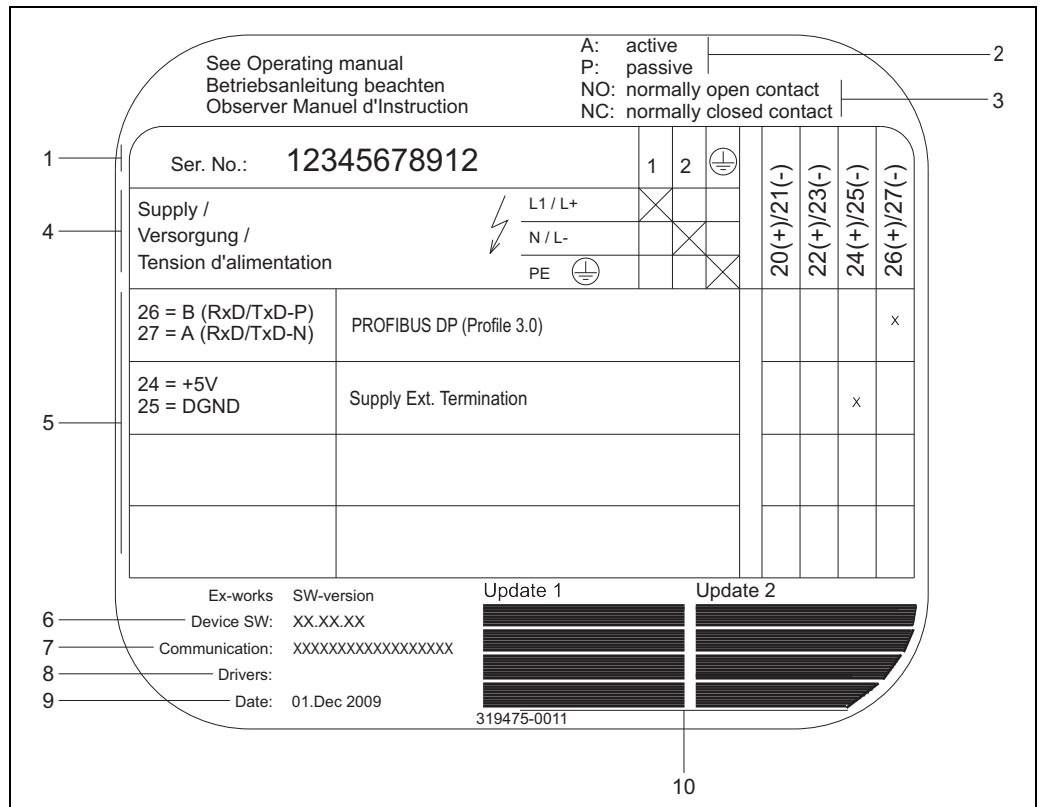


Fig. 3: Nameplate specifications for transmitter connections (example)

- 1 Serial number
- 2 Possible configuration of current output
- 3 Possible configuration of relay contacts
- 4 Terminal assignment, cable for power supply: 85 to 260 V AC, 20 to 55 V AC, 16 to 62 V DC
Terminal No. 1: L1 for AC, L+ for DC
Terminal No. 2: N for AC, L- for DC
- 5 Signals present at inputs and outputs, possible configuration and terminal assignment (20 to 27), see also "Electrical values of inputs/outputs", → 111
- 6 Version of measuring device software currently installed
- 7 Installed communication type, e.g.: HART, PROFIBUS DP, etc.
- 8 Information on current communication software (Device Revision and Device Description), e.g.: Dev. 01 / DD 01 for HART
- 9 Date of manufacture
- 10 Current updates to data specified in points 6 to 9

3.2 Certificates and approvals

This measuring device is designed in accordance with good engineering practice to meet state-of-the-art safety requirements, has been tested, and left the factory in a condition in which it is safe to operate. The measuring device complies with the applicable standards and regulations in accordance with EN 61010-1 "Safety requirements for electrical equipment for measurement, control and laboratory use" and with the EMC requirements of IEC/EN 61326.

The measuring device described in these Operating Instructions thus complies with the statutory requirements of the EC Directives. Endress+Hauser confirms successful testing of the measuring device by affixing to it the CE mark.

The measuring device meets the EMC requirements of the Australian Communications and Media Authority (ACMA).

The flow measuring system has successfully passed all the test procedures carried out and is certified and registered by the PNO (PROFIBUS User Organization).

The device thus meets all the requirements of the following specifications:

- Certified to PROFIBUS Specification, Profile Version 3.0
Device certification number: available on request
- The device can also be operated in conjunction with other-make certified devices (interoperability).

3.3 Registered trademarks

KALREZ® and VITON®

Registered trademarks of DuPont Performance Elastomers L.L.C., Wilmington, USA

PROFIBUS®

Registered trademark of the PROFIBUS User Organization, Karlsruhe, Germany

HistoROM™, S-DAT®, T-DAT™, F-CHIP®, FieldCare®, FieldCheck®, Applicator®, t-mass®

Registered or registration-pending trademarks of businesses in the Endress+Hauser Group

4 Installation

4.1 Incoming acceptance, transport and storage


4.1.1 Incoming acceptance

On receipt of the goods, check the following points:

- Is the packaging or content undamaged?
- Is the delivery complete and do the delivered goods match your order?

4.1.2 Transport

Observe the following instructions when unpacking and transporting the device to its final location:

- Transport the measuring device in the container in which it is delivered.
- The covers or caps fitted to the process connections prevent mechanical damage to the sealing surfaces and contamination in the measuring tube when the unit is being transported or in storage. Do not remove these covers or caps until immediately before installation.
- Do not lift measuring devices of nominal diameters $> \text{DN } 40$ ($1\frac{1}{2}$ ") by the transmitter housing or the connection housing in the case of the remote version →  4. For transportation purposes, use webbing slings slung round the two process connections. Do not use chains, as they could damage the housing.



Warning!

Risk of injury if the measuring device slips. The center of gravity of the assembled measuring device might be higher than the points around which the slings are slung.

When transporting, make sure that the measuring device does not unexpectedly turn around its axis or slip.

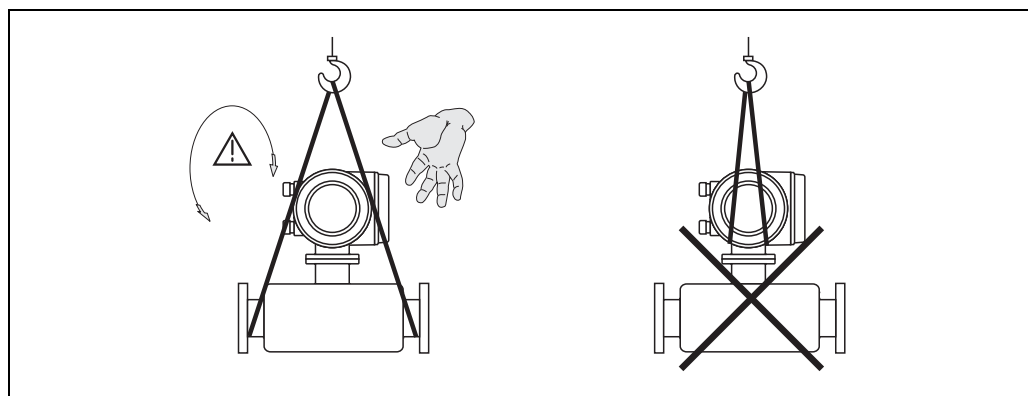


Fig. 4: Instructions for transporting sensors with $> \text{DN } 40$ ($> 1\frac{1}{2}$ ")



4.1.3 Storage

Note the following points:


- Pack the measuring device in such a way as to protect it reliably against impact for storage (and transportation). The original packaging provides optimum protection.
- The permissible storage temperature is: -40 to $+80$ °C (-40 to $+176$ °F), preferably $+20$ °C ($+68$ °F).
- Do not remove the protective covers or caps on the process connections until you are ready to install the device.
- The measuring device must be protected against direct sunlight during storage in order to avoid unacceptably high surface temperatures.
- Devices delivered with special sealing or bagging for oxygen service must remain sealed or bagged until ready for installation.

4.2 Installation conditions

Note the following points:

- The thermal dispersion principle is very sensitive to disturbed flow conditions.
- Observe the recommended inlet and outlet requirements.
- Good engineering practice is necessary for the associated pipe work and installation.
- Ensure correct alignment and orientation of the sensor.
- Take measures to reduce or avoid condensation (e.g. install a condensation trap, thermal insulation, etc.).
- The maximum permitted ambient temperatures →  116 and the medium temperature range →  116 must be observed.
- Install the transmitter in a shaded location or use a protective sun shield.
- For mechanical reasons, and in order to protect the pipe, it is advisable to support heavy sensors.

4.2.1 Dimensions

The dimensions and installation lengths of the sensor and transmitter can be found in the "Technical Information" for the device in question. This document can be downloaded as a PDF file from www.endress.com. A list of the "Technical Information" documents available can be found in the "Documentation" section on →  122.

4.2.2 System pressure and pulsating flow

Reciprocating pumps and some compressor systems can create strong changes in process pressure that can induce spurious internal flow patterns and therefore cause additional measurement error. These pressure pulses must be reduced by the appropriate measures:

- Use of expansion tanks
- Use of inlet expanders
- Relocate the flowmeter further downstream

In compressed air systems, it is recommended to mount the flowmeter after the filter, dryer and buffer devices to avoid pulsations and oil/dirt contamination.

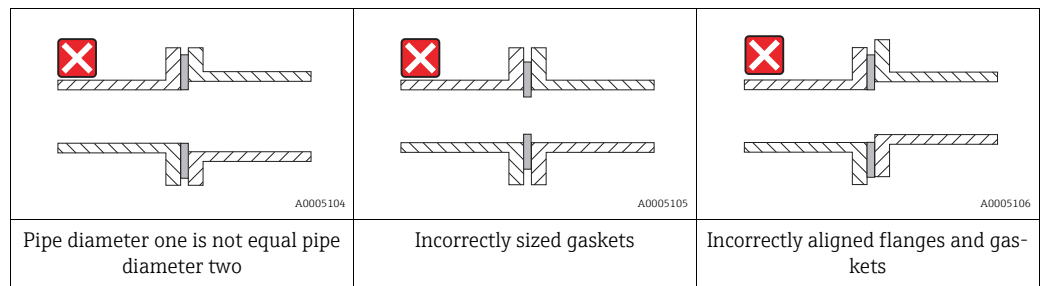
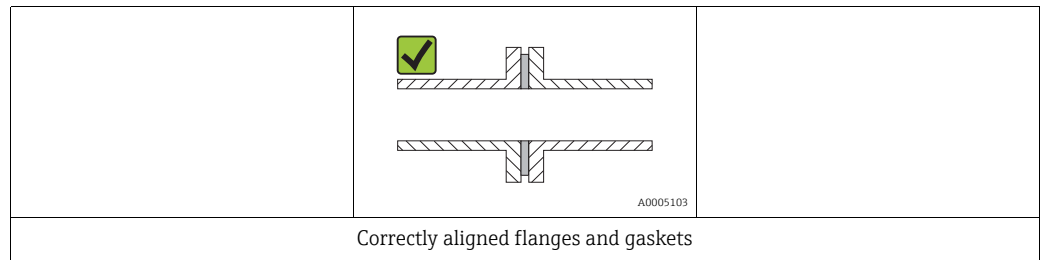
Do not mount the flowmeter directly after the compressor outlet.

4.2.3 Pipework requirements

Good engineering practice should be followed at all times:

- Correct preparation, welding and finishing techniques
- Correctly sized gaskets
- Correctly aligned flanges and gaskets
- Connecting pipe work should match the internal diameter of the flowmeter. Maximum pipe diameter mismatch should not exceed:
 - 1 mm (0.04 in) for diameters < DN 200 (8")
 - 3 mm (0.12 in) for diameters ≥ DN 200 (8")

Further information is provided in ISO Standard 14511.

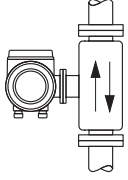
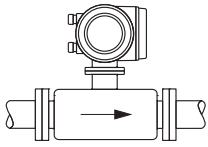
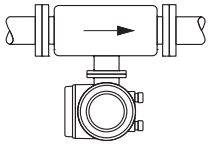
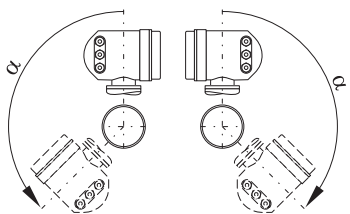


Caution!

New installations should be free of metallic and abrasive particles to prevent damage to the sensing elements on start-up.

4.2.4 Orientation

Make sure that the direction arrow on the sensor matches the direction of flow through the pipe.

	Flanged sensor		Insertion sensor	
Vertical orientation				
 <p>A0013785</p>	compact	remote	compact	remote
	✓✓ ①	✓✓ ①	✓ ①, ②	✓✓ ①
Horizontal orientation, transmitter head up				
 <p>A0013786</p>	compact/remote			
	✓✓ ②			
Horizontal orientation, transmitter head down				
 <p>A0013787</p>	compact/remote			
	✓ ③			
Inclined orientation, transmitter head down				
 <p>A0009897</p>	compact/remote			
	✓ ④			

- ✓✓ = Recommended orientation
- ✓ = Orientation recommended in certain situations

- ① In the case of saturated or unclean gases, upward flow in a vertical pipe section is preferred to minimize condensation/contamination.
- ② Not recommended if the vibrations are too high or if the installation is unstable.
- ③ Only suitable for clean/dry gases. Do not mount the sensor from the bottom, on horizontal pipes, if build-up or condensate are likely to be present. Mount the sensor in a position as indicated below
- ④ If the gas is very wet or saturated with water (e. g. biogas, undried compressed air), mount in inclined orientation ($\alpha = \text{approx. } 135^\circ \pm 10^\circ$).

4.2.5 Inlet and outlet runs

The thermal dispersion principle is sensitive to disturbed flow conditions. As a general rule, the thermal flowmeter should always be installed as far away as possible from any flow disturbances. For further information → ISO Standard 14511.

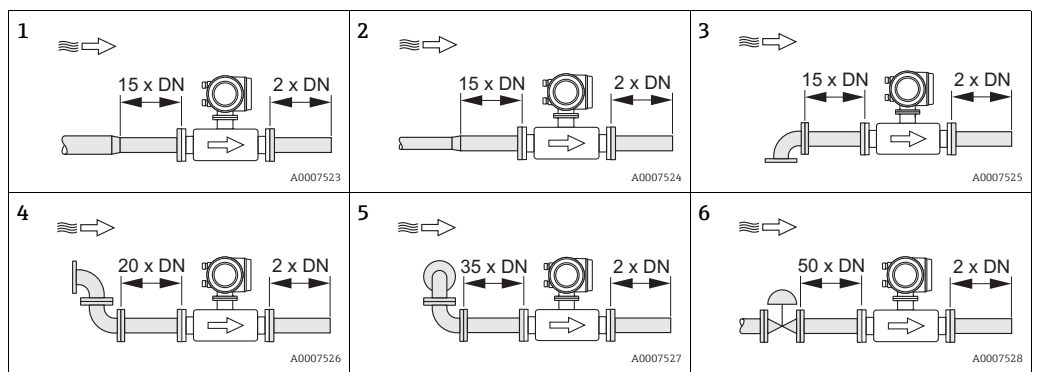


Note!

- Where two or more flow disturbances are located upstream of the meter, the longest indicated inlet length should prevail. For example if a control valve is additionally mounted upstream from the measuring device and an elbow on the inlet side, select the recommended inlet length for control valves: $50 \times DN$
- For very light gases such as Helium and Hydrogen all upstream distances should be doubled.

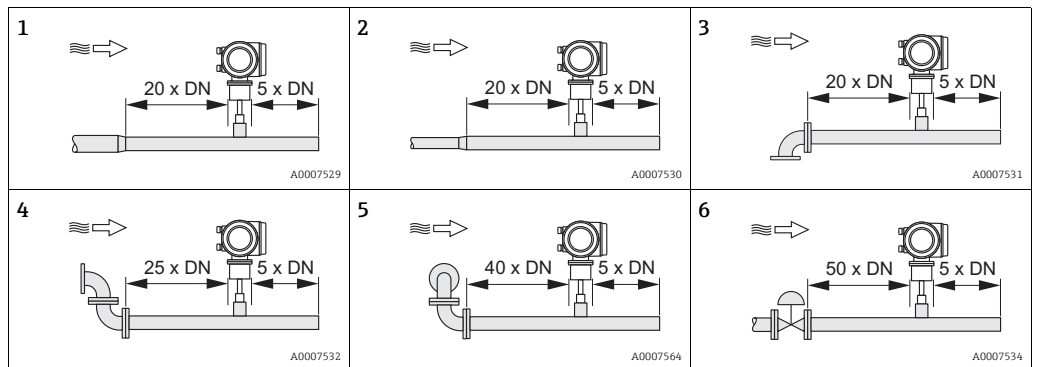
The minimum recommendations for inlet and outlet runs (without flow conditioner) are:

Flanged sensor



1 = Reduction, 2 = Expansion, 3 = 90° elbow or T-piece, 4 = 2 × 90° elbow, 5 = 2 × 90° elbow (3-dimensional), 6 = Control valve

Insertion sensor



1 = Reduction, 2 = Expansion, 3 = 90° elbow or T-piece, 4 = 2 × 90° elbow, 5 = 2 × 90° elbow (3-dimensional), 6 = Control valve or pressure regulator



Note!

A specially designed perforated plate flow conditioner can be installed if it is not possible to observe the inlet runs required (→ 16).

Outlet runs with pressure measuring points

The pressure measuring point should be installed downstream of the measuring device, so that there is no potential influence of the pressure transmitter process connection on the flow entering the measuring point.

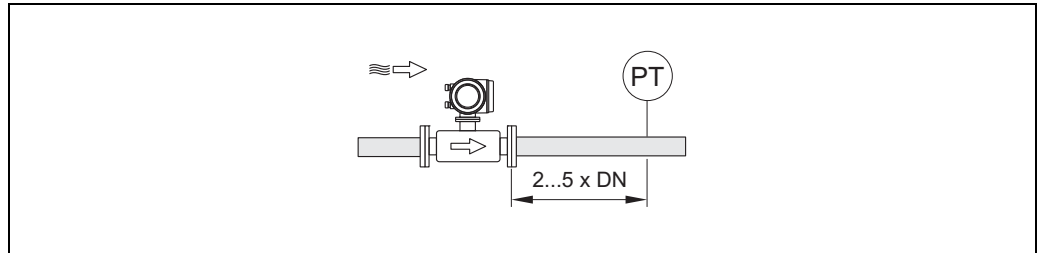


Fig. 5: Installing a pressure measuring point (PT = pressure transmitter)

Perforated plate flow conditioner

It is recommended to install a perforated plate flow conditioner if the recommended inlet runs are not available.

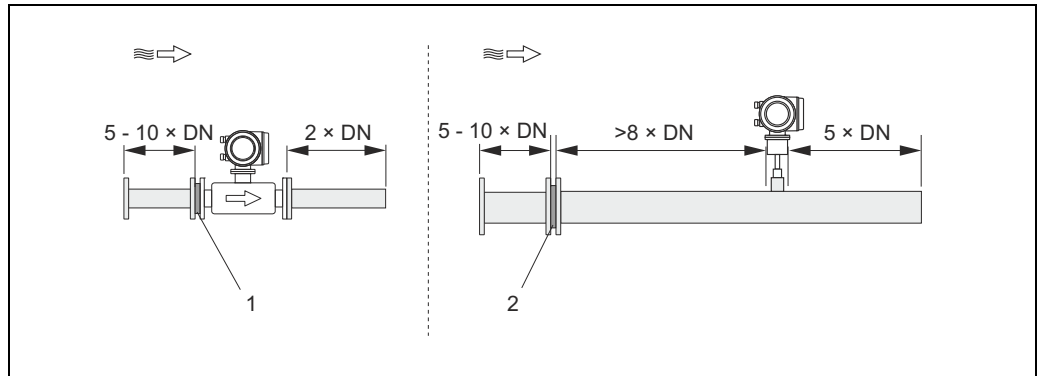


Fig. 6: The figure above illustrates the minimum recommended inlet and outlet runs expressed in multiples of the pipe diameter using a flow conditioner.

1 = Flow conditioner with the flanged sensor, 2 = Flow conditioner with the insertion sensor

Flow conditioner for use with insertion sensors 65I

→ 90

The well known "Mitsubishi" design is recommended for this application DN 80 mm to DN 300 mm (3" to 12"). The flow conditioner must be installed at a distance of 8 x DN upstream of the sensor. A further 5 pipe diameters minimum inlet run is required upstream of the actual conditioner itself.

Measured errors can occur depending on disturbances in the inlet run. Therefore it is advisable to choose inlet runs that are as long as possible.



Note!

In the case of insertion devices, the inlet run selected downstream of the conditioner should be as long as possible.

Perforated plate flow conditioners (19 hole) for use with flanged sensor 65F → 90

This is a special Endress+Hauser version designed especially for use with the t-mass F sensor (sizes DN 25 to 100 / 1" to 4"). The mounting hole patterns and sizing are of a multi-variant design which means that one plate will fit different flange pressure classes e.g. Cl. 150 and Cl. 300.

The flow conditioner and gaskets are fitted between the pipe flange and the measuring device → 7. Use only standard bolts which match the flange bolt hole to guarantee that the flow conditioner is centered correctly.

The alignment notch must also be pointing in the same plane as the transmitter. Incorrect installation of the flow conditioner will have a small effect on the measurement accuracy.

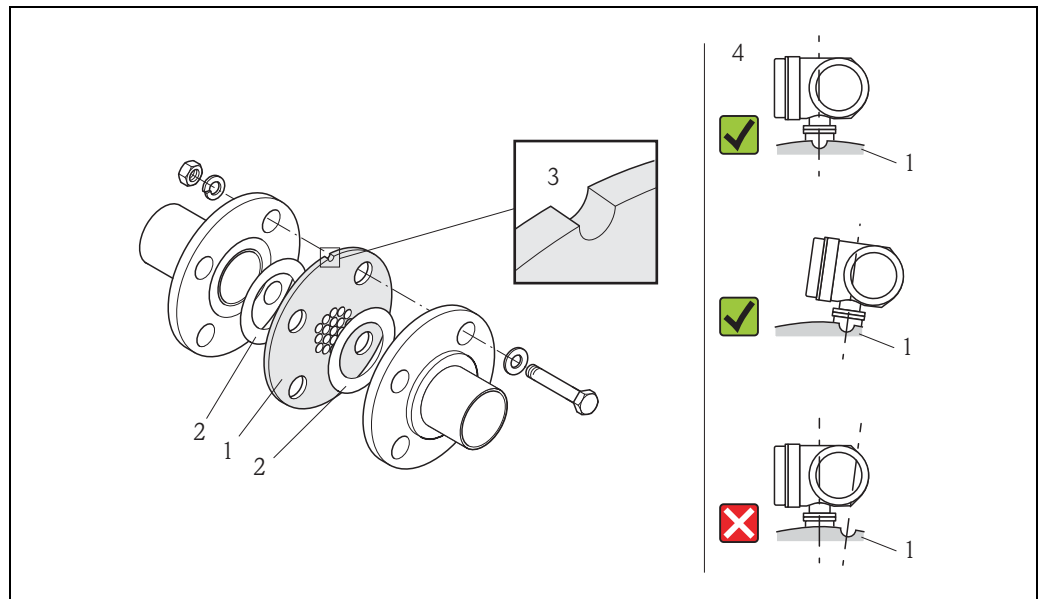


Fig. 7: Flow conditioner mounting arrangement (example)

1 = perforated plate flow conditioner, 2 = seal/gasket, 3 = alignment notch, 4 = alignment in the same plane as the transmitter

Note

- Order the t-mass F sensor and the flow conditioner together to ensure that they are calibrated together. Joint calibration guarantees optimum performance. Ordering the flow conditioner separately and using it with the measuring device will further increase measurement uncertainty.
- The use of conditioners from other suppliers will affect the flow profile and pressure drop and will have an adverse effect on performance.
- Bolts, nuts, seals, etc. are not included in the scope of supply and must be supplied by the customer.

4.2.6 Heating

Some applications require suitable measures to avoid heat loss (condensation). Heating can be electric, e. g. with heated elements, or by means of hot water, steam pipes or insulation.

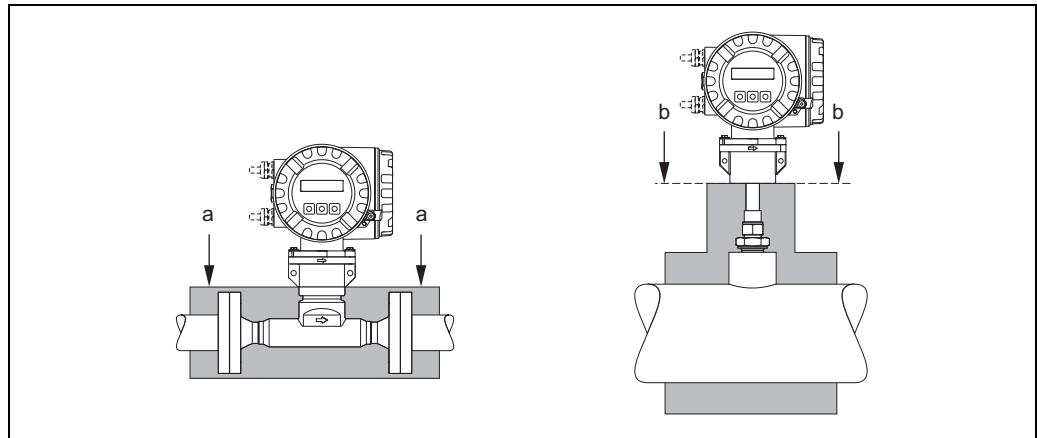


Caution!

Risk of electronics overheating! Consequently, make sure that the adapter between sensor and transmitter and the connection housing of the remote version always remain free of insulating material.

4.2.7 Thermal insulation

When the gas is very damp or saturated with water (e. g. bio gas), the piping and flowmeter body should be insulated to prevent water droplets condensing on the measuring sensor.



A0005122

Fig. 8: Maximum thermal insulation for t-mass 65F and 65I

a Maximum insulation height for the flanged sensor

b Maximum insulation height for the insertion sensor

4.2.8 Vibrations



Caution!

Excessive vibration can result in mechanical damage to the measuring device and its mounting.

Observe the vibration specification in the technical data section → 116

4.3 Installation

4.3.1 Mounting the insertion sensor

The sensor can be mounted into a welding socket or a retractable mounting set. If a retractable mounting set is being used, then refer to the supplementary documentation delivered with the mounting set.

Mounting the welding socket

This instruction describes mounting of the Endress+Hauser welding socket. If a welding boss is already available or a customer-specific one is being used, then go to the next section "Insertion depth calculation and adjustment."



Note!

- Take the orientation and inlet and outlet runs into account before mounting the welding socket → 14 ff.
- The welding socket is made of stainless steel 1.4404 (316/316L). Use appropriate welding technique.



Caution!

- When mounting the fitting to a thin wall duct, use a suitable support bracket for the sensor and weld the welding socket to a base plate to spread the load. Otherwise, the mounting may be unstable and the duct wall can be damaged.



Warning!

- These instructions are only applicable to installation in an un-pressurized line, without gas present and at safe temperatures.

1. Drill or a cut hole of $\varnothing 31.0 \text{ mm} \pm 0.5 \text{ mm}$ (1.22 ± 0.019 ") in the pipe.
2. Deburr the hole.
3. Fit the edge of the welding socket into hole, align it vertically and weld it on → 9.

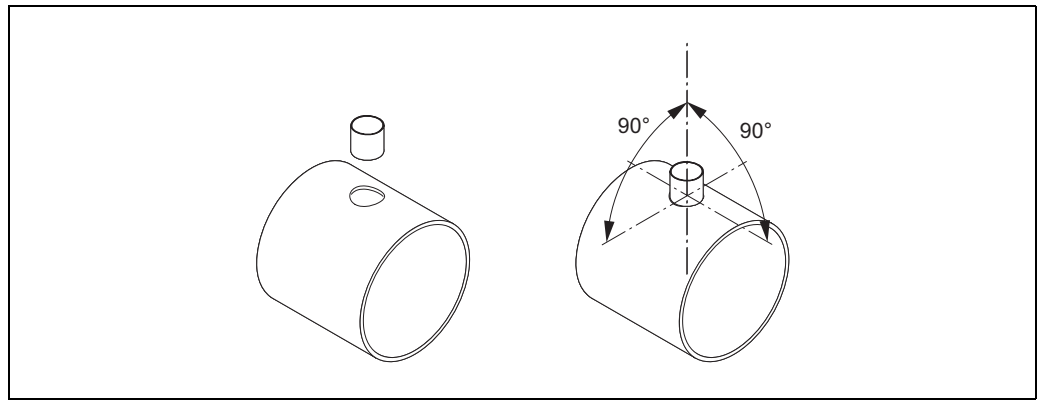


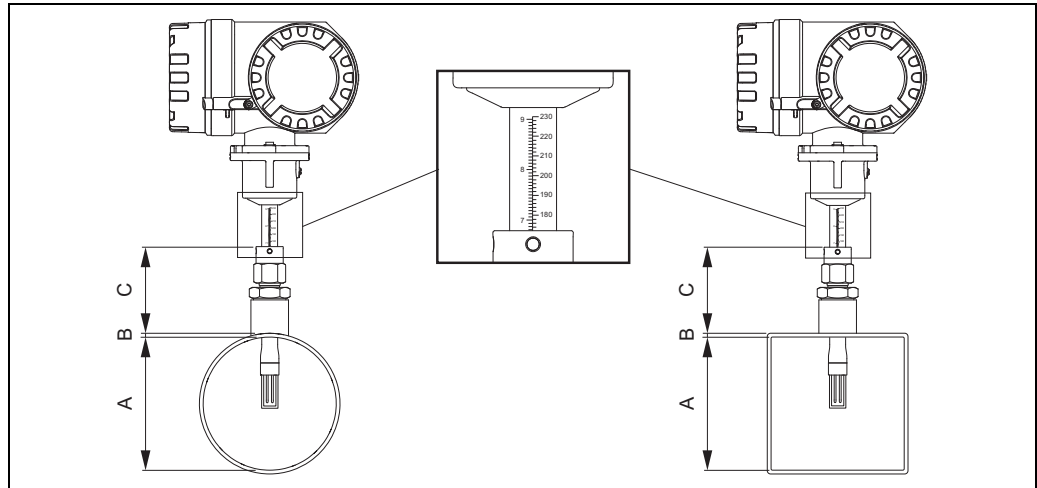
Fig. 9: Positioning the welding socket on the pipe (or duct)

Insertion depth calculation and adjustment

To ensure optimum measurement performance, the insertion sensor must be installed in the correct position in the pipe or duct (30% of the internal diameter).

A millimeter and inch scale is provided along the entire length of the sensor tube. This makes it possible to align the sensor at the right depth.

4. Calculate the insertion depth:
 - with the help of the Quick Setup "Sensor" → 52 or
 - using the following dimensions and formulae



A0005118

Fig. 10: Dimensions needed to calculate the insertion depth

- A Pipes: internal diameter
Ducts: internal dimension
- B Wall thickness
- C Dimension from pipe/duct to the compression fitting

The following dimensions are required to calculate the insertion depth:

A	<ul style="list-style-type: none"> • For circular pipes: the internal diameter (DN) • For rectangular ducts: <ul style="list-style-type: none"> – The internal duct height if the sensor is installed vertically – The internal duct width if the sensor is installed horizontally <p> Note! Minimum length of dimension A = 80 mm (3.15 in)</p>
B	Pipe / duct wall thickness
C	Height of the welding nozzle at the pipe/duct including the sensor compression fitting or low pressure mounting set (if used).

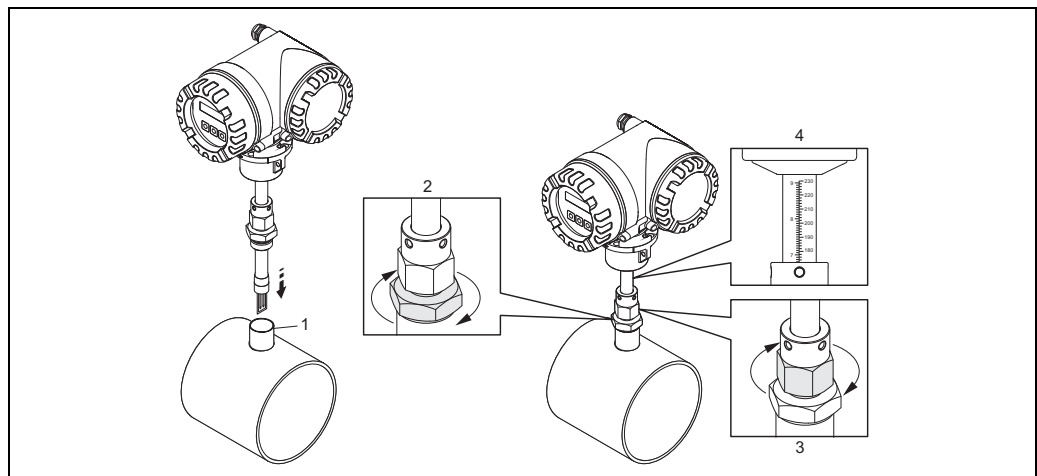


Note!

For detailed remarks on calculation refer to Technical Information TI00069D.

■ Calculated insertion depth = $(0.3 \times A) + B + C + 2 \text{ mm}$ (0.08 in)

Note down the calculated value.



A0010001

Fig. 11: Aligning the sensor to the calculated insertion depth

5. Insert the sensor in the nozzle (1) and tighten the lower nut of the compression fitting (2) finger-tight.
 - ☞ Caution!
 - NPT thread: use a thread sealing tape or paste
 - G 1 A thread: the sealing ring supplied must be installed
6. Tighten the upper nut of compression fitting (3) such that the sensor can still be adjusted.
7. Read off the calculated insertion depth from the scale and adjust the sensor so that the value aligns with the upper end of the compression fitting (4).
8. Tighten the lower nut of the compression fitting 1¼ revolutions using a wrench (42 mm).

Aligning the sensor with the flow direction

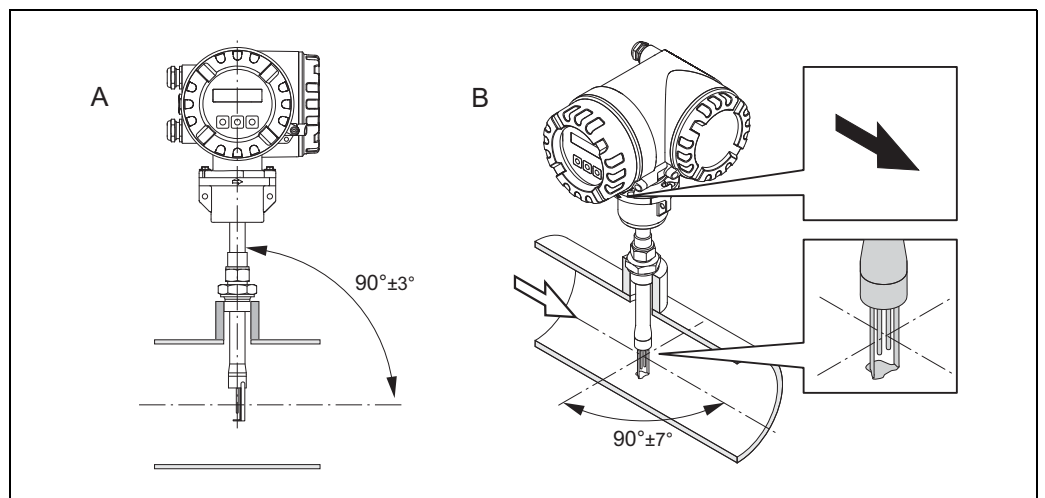


Fig. 12: Aligning the sensor with the flow direction

9. Check and ensure that the sensor is aligned vertically at a 90° angle on the pipe/duct. Turn the sensor so that the arrow marking matches the direction of flow.



Note!

To ensure optimum exposure of the measuring transducer to the flowing gas stream, the sensor must not be rotated more than 7° from this alignment.

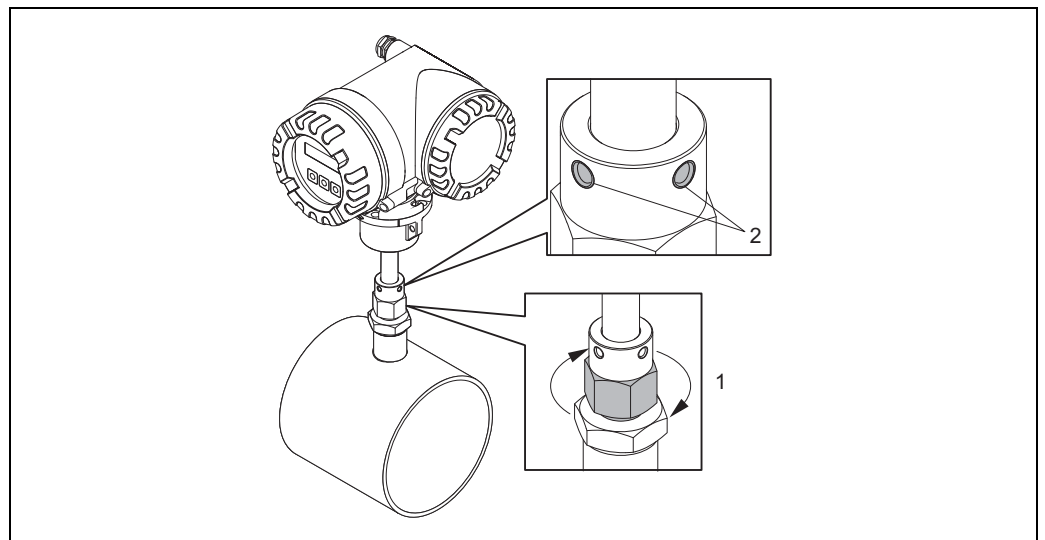



Fig. 13: Securing the position of the sensor

10. Tighten the compression fitting (1) by hand to secure the position of the sensor. Then, using an open-ended wrench, tighten another $1\frac{1}{4}$ revolutions in a clockwise direction.
11. Fix the two securing screws (2) (Allen key 3 mm; (1/8")).
 Warning!
Observe torque: 4 Nm (2.95 lbf ft)
12. Check that the sensor and transmitter do not turn.
13. Check the measuring point for leaks at the maximum operating pressure.

4.3.2 Removing the insertion sensor



Warning!

- Do not remove the measuring device when it is pressurized! Stop the gas flow and unpressurize the process pipe.
- In the case of toxic, explosive or flammable gases, the pipe in which the measuring device is installed must be purged with an inert gas to remove all traces of the gas used.
- Make sure that the process cannot be resumed while removal work is in progress.
- Allow the system and device to cool to a safe temperature (i.e. $<50\text{ }^{\circ}\text{C}$, ($<120\text{ }^{\circ}\text{F}$)).

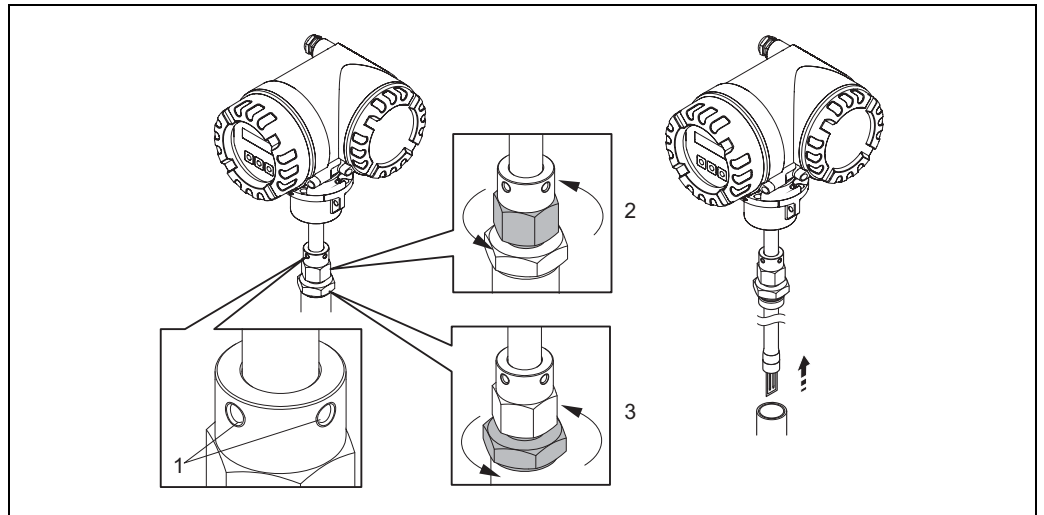


Fig. 14: Removing the insertion sensor

1. Release the securing screws (1).
2. Release the upper nut of compression fitting using a wrench, turning in a counterclockwise direction (2).



Caution!

In the case of vertical installation, do not drop the measuring device into the pipe.

3. Unscrew the lower nut of compression fitting (3) and remove the sensor.

4.3.3 Mounting the flanged sensor

The arrow on the sensor must match with the actual direction of flow through the pipe.

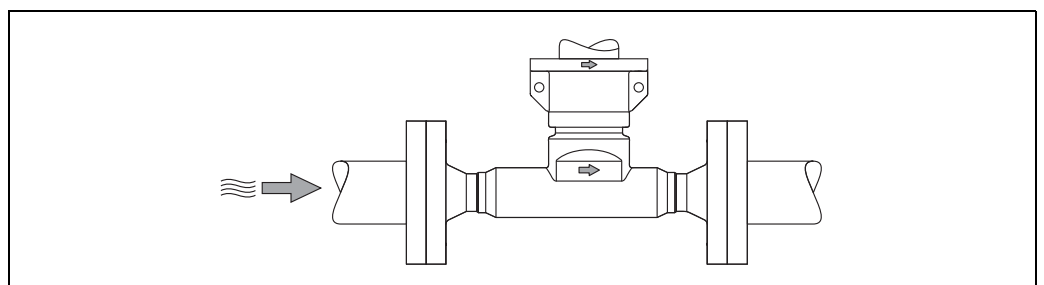


Fig. 15: Mounting in direction of flow

4.3.4 Turning the transmitter housing

Turning the aluminium field housing



Warning!

The rotating mechanism for measuring devices for hazardous areas Zone 1 (ATEX/IEC Ex) or Class I Div. 1 (FM/CSA) is different to that described here. The procedure for turning these housings is described in the Ex-specific documentation → 122.

1. Loosen the two securing screws.



Caution!

Special screw! Do not loosen screw completely or replace with another screw. Use only original Endress+Hauser parts.

1. Turn the bayonet catch as far as it will go.
2. Carefully lift the transmitter housing as far as it will go.
3. Turn the transmitter housing to the desired position (max. $2 \times 90^\circ$ in either direction).
4. Lower the housing into position and re-engage the bayonet catch.
5. Retighten the two securing screws.

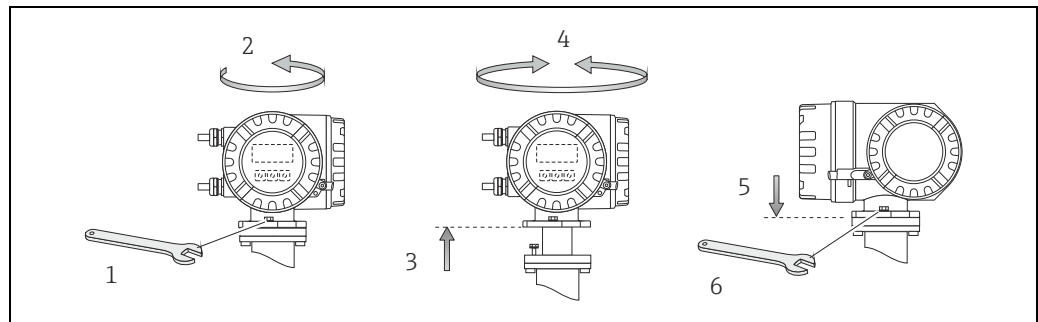


Fig. 16: Turning the transmitter housing (aluminium field housing)

4.3.5 Turning the local display

1. Unscrew cover of the electronics compartment from the transmitter housing.
2. Press the side latches on the display module and remove the module from the electronics compartment cover plate.
3. Rotate the display to the desired position ($4 \times 45^\circ$ in both directions), and reset it onto the electronics compartment cover plate.
4. Screw the cover of the electronics compartment firmly back onto the transmitter housing.

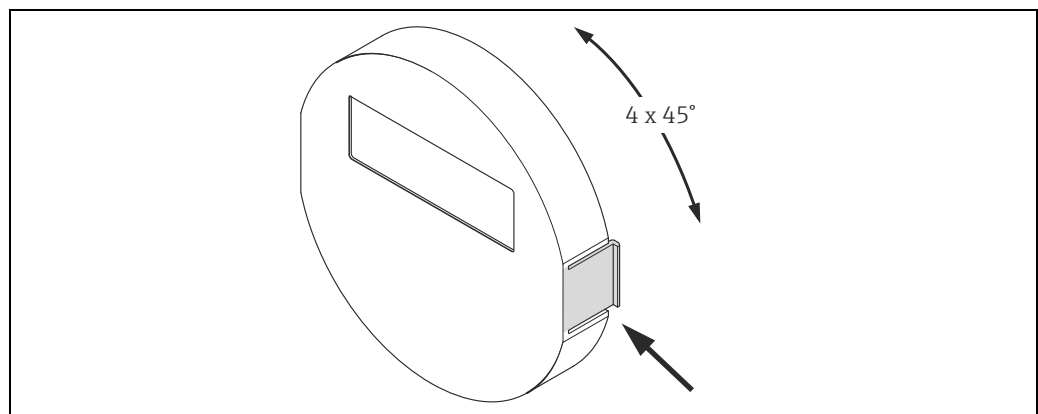


Fig. 17: Turning the local display (field housing)

4.3.6 Installing the wall-mount transmitter housing

There are various ways of installing the wall-mount transmitter housing:

- Mounted directly on the wall
- Installation in control panel → 26 (separate mounting set, accessories → 90)
- Pipe mounting → 26 (separate mounting set, accessories → 90)



Caution!

- The ambient temperature may not exceed the permissible range of -20 to $+60$ °C (-4 to $+140$ °F), optionally -40 to $+60$ °C (-40 to $+140$ °F), at the mounting location.
- Install the device in a shady location. Avoid direct sunlight on the display.
- Always install the wall-mount housing in such a way that the cable entries are pointing down.

Mounted directly on the wall

1. Drill the holes as illustrated in the diagram.
2. Remove the cover of the connection compartment (a).
3. Push the two securing screws (b) through the appropriate bores (c) in the housing.
 - Securing screws (M6): max. \varnothing 6.5 mm (0.26 inch)
 - Screw head: max. \varnothing 10.5 mm (0.41 inch)
4. Secure the transmitter housing to the wall as indicated.
5. Screw the cover of the connection compartment (a) firmly onto the housing.

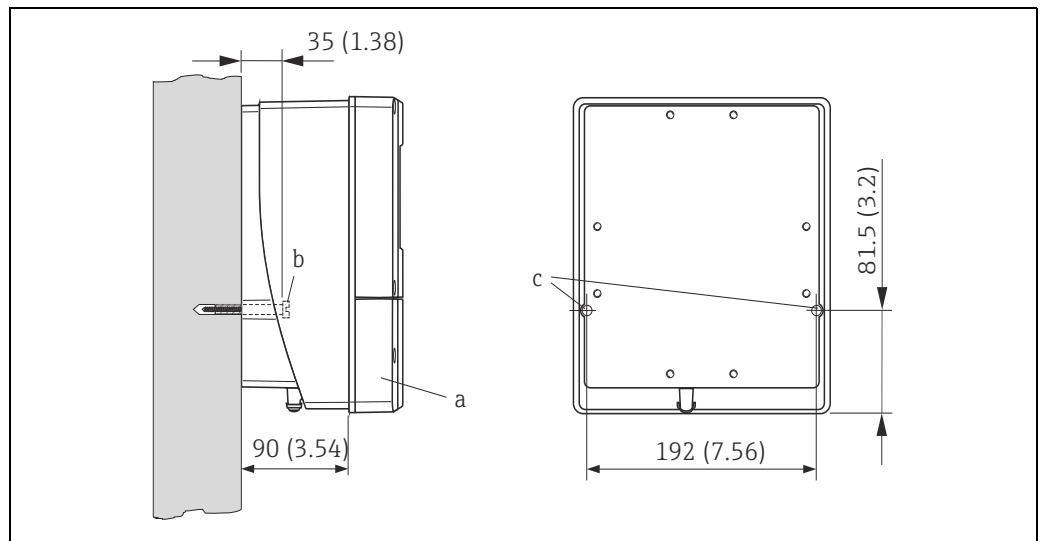


Fig. 18: Engineering unit mm (in)

A0001130

Installation in control panel

1. Prepare the opening in the panel as illustrated in the diagram.
2. Slide the housing into the opening in the panel from the front.
3. Screw the fasteners onto the wall-mount housing.
4. Screw threaded rods into holders and tighten until the housing is solidly seated on the panel wall. Afterwards, tighten the locking nuts.
Additional support is not necessary.

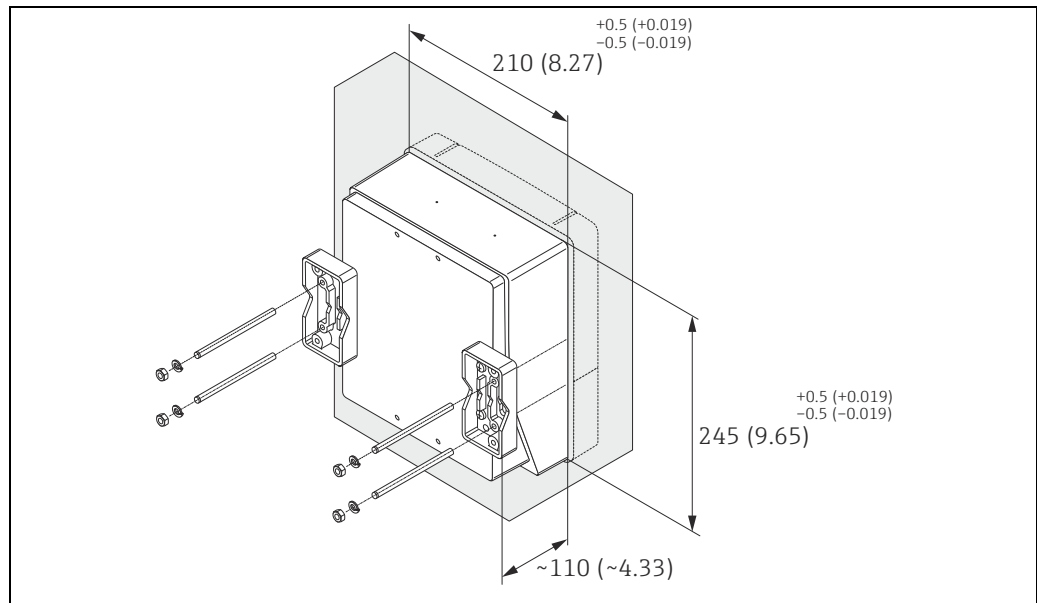


Fig. 19: Engineering unit mm (in)

Pipe mounting

The assembly should be performed by following the instructions in the diagram.



Caution!

If a warm pipe is used for installation, make sure that the housing temperature does not exceed the max. permitted value of +60 °C (+140 °F).

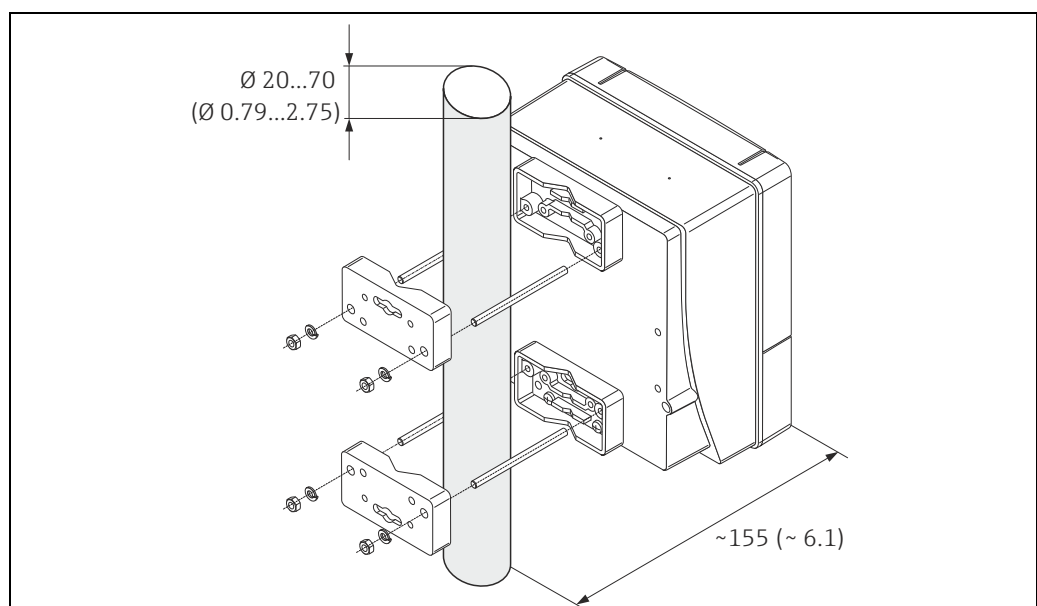














Fig. 20: Engineering unit mm (in)

4.4 Post-installation check

Perform the following checks after installing the measuring device in the pipe:

Measuring device condition and specifications	Notes
Is the measuring device undamaged (visual inspection)?	–
Does the device correspond to specifications at the measurement point, including process temperature and pressure, ambient temperature, measuring range, etc.? Check the name plate.	→  7
Installation	Notes
Correct alignment of pipe/gasket/flowmeter body?	→  13
Professional installation, e.g. correct pipe internal diameter, correctly sized gaskets?	→  13
Is the position chosen for the sensor correct, in other words suitable for sensor type, fluid properties and fluid temperature?	→  14
Is there sufficient upstream and downstream pipe sensor?	→  15
Correct installation of flow conditioner (if fitted)?	→  16
Does the arrow on the sensor match the direction of flow through the pipe?	→  14
Correct sensor depth (insertion sensor only)?	→  19
Process environment/process conditions	Notes
Is the measuring device protected against moisture and direct sunlight?	–
Is the measuring device protected against overheating?	→  18
Is the measuring device protected against excessive vibration?	→  18, →  116
Check gas conditions (e. g. purity, dryness, cleanliness)	Select suitable orientation →  14

5 Electrical connection



Warning!

When connecting Ex-certified measuring devices, see the notes and diagrams in the Ex-specific supplement to these Operating Instructions. Please do not hesitate to contact your Endress+Hauser sales center if you have any questions.

5.1 Cable specifications

5.1.1 PROFIBUS DP cable specifications

Cable type

Two versions of the bus line are specified in IEC 61158. Cable type A can be used for all transmission rates up to 12 Mbit/s. Refer to the table for the cable parameters:

Cable type A	
Characteristic impedance	135 to 165 Ω at a measuring frequency of 3 to 20 MHz
Cable capacitance	< 30 pF/m
Core cross-section	>0.34 mm ² , corresponds to 22 AWG
Cable type	Twisted in pairs, 1 × 2, 2 × 2 or 1 × 4 wire
Loop-resistance	≤110 Ω /km
Signal damping	Max. 9 dB over the entire length of the cable section
Shielding	Copper braided shielding or braided shielding and foil shielding


Bus structure

Note the following points:

- The maximum line length (segment length) depends on the transmission rate. For cable type A, the maximum line length (segment length) is as follows:

Transmission rate [kBit/s]	9.6 to 93.75	187.5	500	1,500	3,000 to 12,000
Line length [m]([inch])	1,200 (4,000)	1,000 (3,300)	400 (1,300)	200 (650)	100

- A maximum of 32 users are permitted per segment.
- Each segment is terminated at either end with a terminating resistor.
- The bus length or the number of users can be increased by introducing a repeater.
- The first and last segment can comprise max. 31 devices.
The segments between the repeaters can comprise max. 30 stations.
- The maximum distance between two bus users can be calculated as follows:
(NO_REP + 1) × segment length

 Note!

NO_REP = maximum number of repeaters that may be switched in series depending on the repeater in question.

Example

In accordance with manufacturer specifications, 9 repeaters can be switched in series when using a standard line.


The maximum distance between two bus users at a transmission rate of 1.5 MBit/s can be calculated as follows: (9 + 1) × 200 m = 2000 m.

Spurs

Note the following points:

- Length of spurs < 6.6 m (21.7 ft) (at max. 1.5 MBit/s)
- No spurs should be used for transmission rates >1.5 MBit/s. The line between the connector and the bus driver is described as a spur. Experience has shown that you should proceed with caution when configuring spurs. For this reason, you cannot presume that the sum of all spurs at 1.5 MBit/s may be 6.6 m (21.7 ft). This is affected greatly by the arrangement of the field devices. Therefore, we recommend you do not use any spurs, if possible, at transmission rates >1.5 MBit/s.
- If you cannot avoid using spurs, then they may not include any bus terminators.

Bus termination

It is important to terminate the RS485 line correctly at the start and end of the bus segment since impedance mismatch results in reflections on the line which can cause faulty data transfer →  46.

Further information

General information and further notes regarding the wiring can be found in BA00034S/04: "Guidelines for planning and commissioning, PROFIBUS DP/PA, field communication".

5.1.2 Shielding and grounding

When planning the shielding and grounding for a fieldbus system, there are three important points to consider:

- Electromagnetic compatibility (EMC)
- Explosion protection
- Safety of the personnel

To ensure the optimum electromagnetic compatibility of systems, it is important that the system components and above all the cables, which connect the components, are shielded and that no portion of the system is unshielded. Ideally, the cable shields are connected to the normally metal housings of the connected field devices. Since these are generally connected to the protective ground, the shield of the bus cable is grounded many times. Ensure that the stripped and twisted lengths of cable shield to the ground terminal are as short as possible.

This approach, which provides the best electromagnetic compatibility and personnel safety, can be used without restriction in systems with good potential matching.

In the case of systems without potential matching, a power supply frequency (50 Hz) equalizing current can flow between two grounding points which, in unfavorable cases, e.g. when it exceeds the permissible shield current, may destroy the cable.

To suppress the low frequency equalizing currents, it is therefore recommended - in the case of systems without potential equalization - to connect the cable shield directly to the building ground (or protective ground) at one end only and to use capacitive coupling to connect all other grounding points.



Caution!

The statutory EMC requirements are **only** met if the cable shield is grounded at both ends!

5.2 Connecting the remote version



Note!

A cable is not supplied for the remote version.

5.2.1 Connecting connecting cable for sensor/transmitter



Warning!

- After removing the electronics cover, there is a risk of electric shock as shock protection is removed! Switch off the measuring device before removing internal covers.
- Risk of electric shock. Connect the protective earth to the ground terminal on the housing before the power is supplied.

1. Remove the connection compartment cover by loosening the fixing screws on the transmitter and sensor housing.
2. Feed the connecting cable through the appropriate cable entry.
3. Establish the connections between sensor and transmitter in accordance with the wiring diagram (→ 2.1 or see wiring diagram in screw cap; wire cross-section: max. 2.5 mm² (14 AWG)).
4. Screw the connection compartment cover back onto the sensor and transmitter housing.

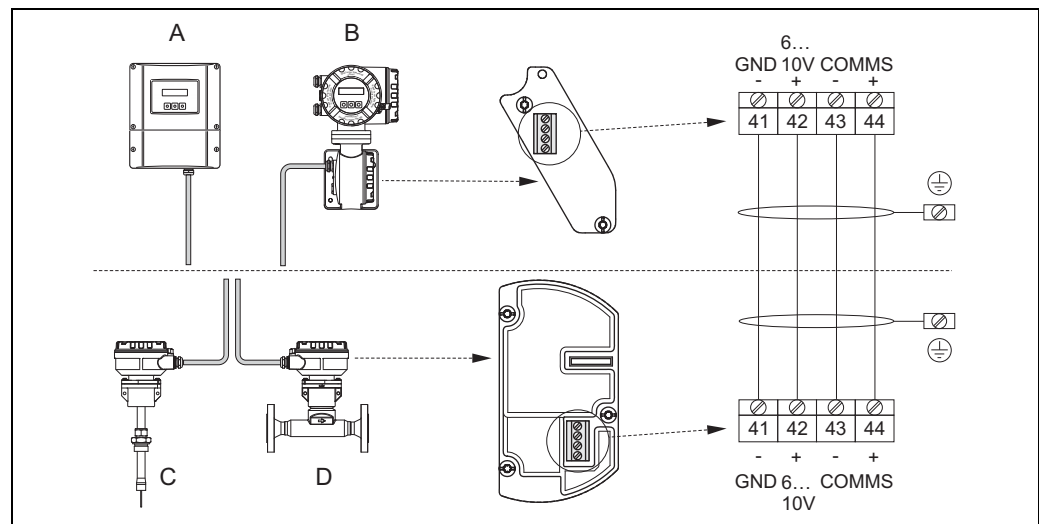


Fig. 21: Connecting the remote version

- A Wallmount housing; Non-hazardous area and zone 2 (ATEX II3G, FM/CSA) → see separate "Ex documentation"
 B Field housing; Zone 1 (ATEX II2GD, IECEx, FM/CSA) → see separate "Ex documentation"
 C Remote sensor insertion
 D Remote sensor flanged

Wire colors (when supplied by Endress+Hauser):
 Terminal no. 41 = white; 42 = brown; 43 = green; 44 = yellow

5.2.2 Cable specification, connecting cable

A cable with the following specifications must be used for the remote version:

- 2 × 2 × 0.5 mm² (AWG 20) PVC cable with common shield (2 twisted pairs)
- Conductor resistance: ≤ 40 Ω /km (≤ 131.2 Ω /1000 ft)
- Operating voltage: ≥ 250 V
- Temperature range: -40 to +105 °C (-40 to +221 °F)
- Overall nominal diameter: 8.5 mm (0.335")
- Maximum cable length: 100 m (328 feet)



Note!

- The cable must be installed securely to prevent movement
- The cable should be of sufficient diameter to provide adequate sealing of the cable gland → 113.

5.3 Connecting the measuring unit



Note!
The electrical characteristic quantities are listed in the "Technical data" section.

5.3.1 Terminal assignment

PROFIBUS DP

Order version	Terminal No. (inputs/outputs)							
	20 (+)	21 (-)	22 (+)	23 (-)	24 (+)	25 (-)	26 (+)	27 (-)
65F**_*****J 65I_*****J	-		-		+5 V power supply for external termination (optional)	DGND	B	A
							PROFIBUS DP A = RxD/TxD-N B = RxD/TxD-P	

PROFIBUS PA

Order version	Terminal No. (inputs/outputs)			
	20 (+) / 21 (-)	22 (+) / 23 (-)	24 (+) / 25 (-)	26 = PA + ¹⁾ 27 = PA - ¹⁾
65F**_*****F 65I_*****F	-	-	-	PROFIBUS PA, Ex i
65F**_*****H 65I_*****H	-	-	-	PROFIBUS PA

¹⁾ With integrated reverse polarity protection

5.3.2 Transmitter connection



Warning!

- Risk of electric shock. Switch off the power supply before opening the measuring device. Never mount or wire the measuring device while it is connected to the power supply. Failure to comply with this precaution can result in irreparable damage to the electronics.
- Risk of electric shock. Connect the protective earth to the ground terminal on the housing before the power supply is applied unless special protection measures have been taken (e.g. galvanically isolated power supply SELV or PELV).
- Compare the specifications on the nameplate with the local supply voltage and frequency. The national regulations governing the installation of electrical equipment also apply.

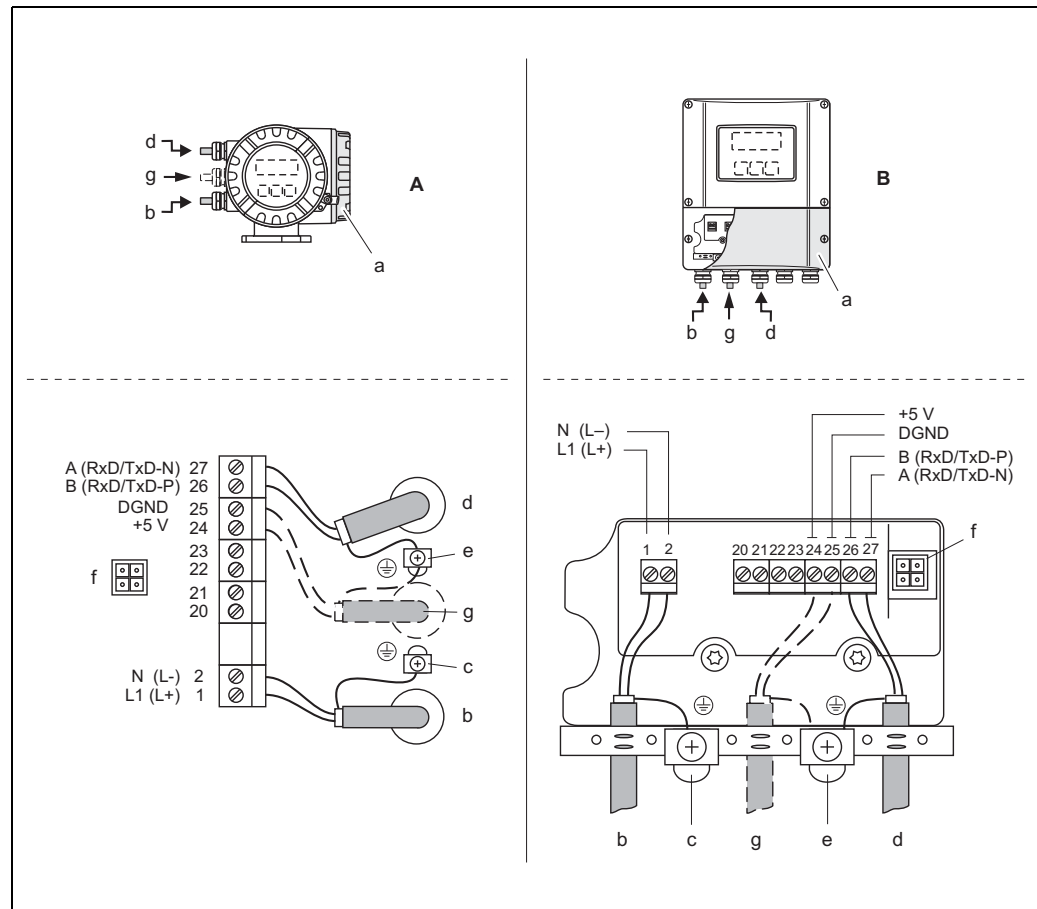
1. Unscrew the connection compartment cover from the transmitter housing.
2. Feed the power supply cable, the fieldbus cable and the power supply cable for external termination (optional) cable through the appropriate cable entries.
3. Perform wiring:
 - Wiring diagram → 32
 - Terminal assignment → see above



Caution!

- Risk of damage to the fieldbus cable!
Observe the information about shielding and grounding the fieldbus cable → 29.
 - We recommend that the fieldbus cable not be looped using conventional cable glands. If even just one measuring device is later replaced, the bus communication will have to be interrupted.
4. Screw the cover of the connection compartment back onto the transmitter housing.

5.3.3 PROFIBUS DP connection diagram



A0005465

Fig. 22: Connecting the transmitter, cable cross-section: max. 2.5 mm² (14 AWG)

- A Field housing
 B Wall-mount housing
 a Connection compartment cover
 b Power supply cable: 85 to 260 V AC, 20 to 55 V AC, 16 to 62 V DC
 Terminal No. 1: L1 for AC, L+ for DC
 Terminal No. 2: N for AC, L- for DC
 c Ground terminal for protective earth
 d Fieldbus cable:
 Terminal No. 26: B (Rx/D/TxD-P)
 Terminal No. 27: A (Rx/D/TxD-N)
 e Ground terminal for fieldbus cable shield
 Observe the following:
 - the shielding and grounding of the fieldbus cable → 29
 - that the stripped and twisted lengths of cable shield to the ground terminal are as short as possible
 f Service socket for connecting service interface FXA 193 (FieldCare or Fieldcheck)
 g Power supply cable for external termination (optional):
 Terminal No. 24: +5 V
 Terminal No. 25: DGND

5.3.4 PROFIBUS PA connection diagram

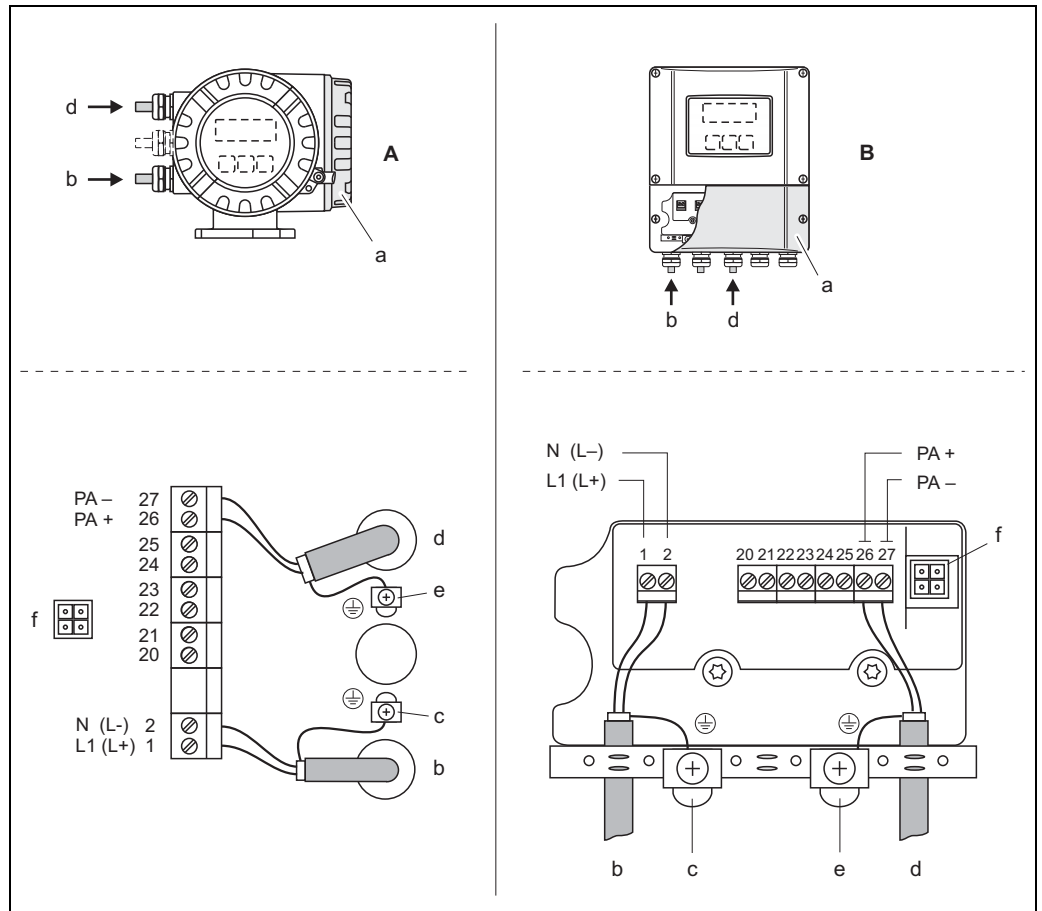


Fig. 23: Connecting the transmitter, cable cross-section max. 2.5 mm² (14 AWG)²

- A View A (field housing)
- B View B (wall-mount housing)
- a Cover of the connection compartment
- b Cable for power supply: 85 to 260 V AC, 20 to 55 V AC, 16 to 62 V DC
Terminal No. 1: L1 for AC, L+ for DC
Terminal No. 2: N for AC, L- for DC
- c Ground terminal for protective ground
- d Fieldbus cable:
Terminal No. 26: PA +, with reverse polarity protection
Terminal No. 27: PA -, with reverse polarity protection
- e Fieldbus cable shield ground terminal
Please note the following:
- The shield and grounding of the fieldbus cable → 29
- Make sure that the stripped and twisted lengths of cable shield to the ground terminal are kept as short as possible
- f Service connector for connecting service interface FXA193 (Fieldcheck, FieldCare)

Fieldbus connector



Note!

The connector can only be used for PROFIBUS PA devices.

The connection technology of PROFIBUS PA allows measuring devices to be connected to the fieldbus via uniform mechanical connections such as T-boxes, distribution modules etc.

This connection technology using prefabricated distribution modules and plug-in connectors offers substantial advantages over conventional wiring:

- Field devices can be removed, replaced or added at any time during normal operation. Data transmission is not interrupted.
- Installation and maintenance are significantly easier.
- Existing cable infrastructures can be used and expanded instantly, e.g. when constructing new star distributors using 4-channel or 8-channel distribution modules.

The measuring device can therefore be supplied with the option of a ready-mounted fieldbus connector. Fieldbus connectors for retrofitting can be ordered from Endress+Hauser as a spare part → 90.

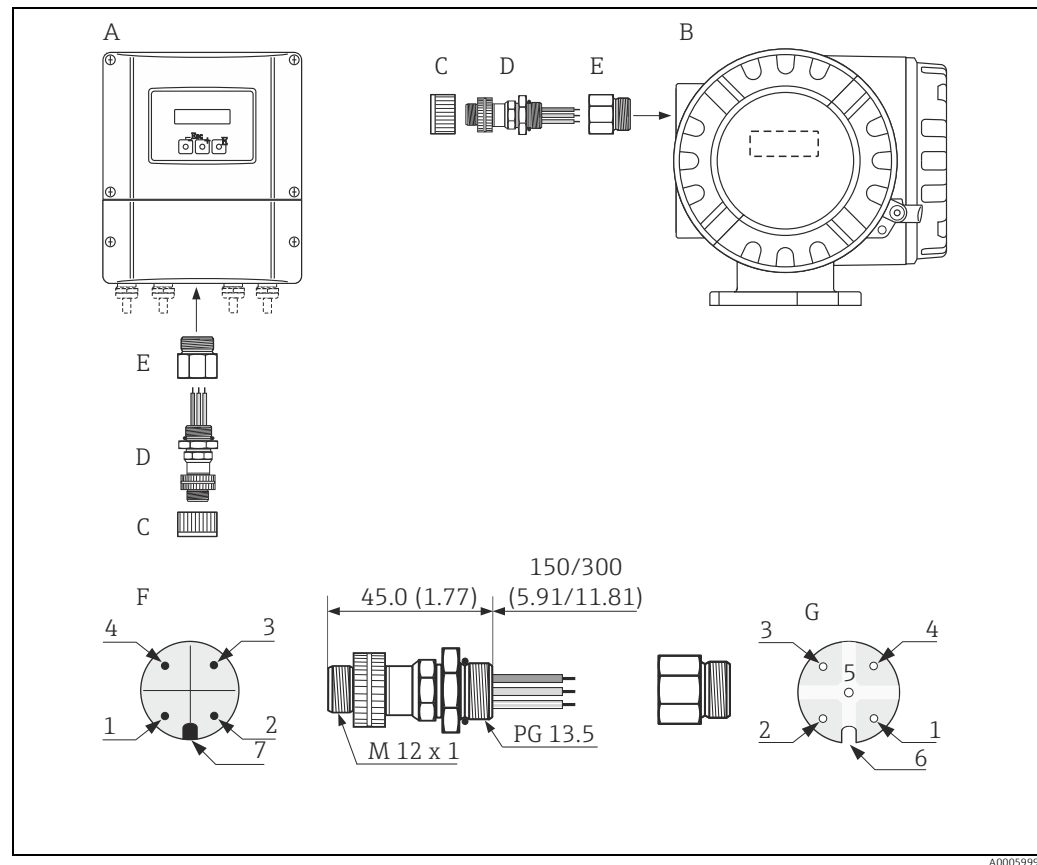


Fig. 24: Connectors for connecting to the PROFIBUS PA

- A Aluminum field housing
 B Stainless steel field housing
 C Protection cap for connector
 D Fieldbus connector
 E Adapter PG 13.5 / M 20.5
 F Connector at housing (male)
 G Female connector

Pin assignment / color codes:

- 1 Brown wire: PA + (terminal 26)
 2 Not connected
 3 Blue wire: PA - (terminal 27)
 4 Black wire: ground (instructions for connection → 33)
 5 Middle female connector not assigned
 6 Positioning groove
 7 Positioning key

5.4 Degree of protection

The measuring devices fulfill all the requirements for IP 67 (NEMA 4X).

Compliance with the following points is mandatory following installation in the field or servicing, in order to ensure that IP 67 (NEMA 4X) protection is maintained:

- The housing seals must be clean and undamaged when inserted into their grooves. The seals must be dried, cleaned or replaced if necessary.
- All threaded fasteners and screw covers must be firmly tightened.
- The cables used for connection must be of the specified outside diameter (cable entry → [113](#))
- Firmly tighten the cable entries (a).
- The cables must loop down before they enter the cable entries ("water trap") (b). This arrangement prevents moisture penetrating the entry. Always install the measuring device in such a way that the cable entries do not point up.
- Remove all unused cable entries and insert blanking plugs instead.
- Do not remove the grommet from the cable entry.

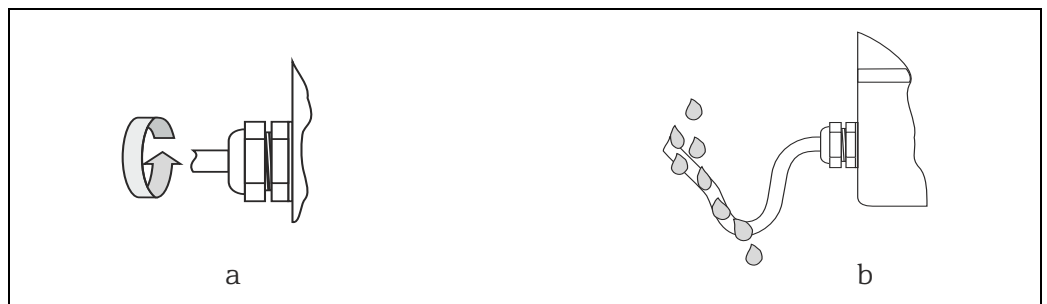


Fig. 25: Installation instructions, cable entries

5.5 Post-connection check



Perform the following checks after completing electrical installation of the measuring device:

Measuring device condition and specifications	Notes
Are the measuring device or cables undamaged (visual inspection)?	-
Electrical connection	Notes
Does the supply voltage match the specifications on the nameplate?	85 to 260 V AC (45 to 65 Hz) 20 to 55 V AC (45 to 65 Hz) 16 to 62 V DC
Do the cables comply with the specifications?	PROFIBUS DP → 28 Sensor cable → 30
Do the cables have adequate strain relief?	-
Cables correctly segregated by type? Without loops and crossovers?	-
Are the power supply and signal cables correctly connected?	See the wiring diagram inside the cover of the terminal compartment
Only remote version: Is the flow sensor connected to the matching transmitter electronics?	Check serial number on nameplates of sensor and connected transmitter.
Only remote version: is the connecting cable between sensor and transmitter connected correctly?	→ 29
Are all screw terminals firmly tightened?	-
Are all cable entries installed, firmly tightened and correctly sealed? Cables looped as "water traps"?	→ 35
Are all housing covers installed and firmly tightened?	-
Electrical connection, PROFIBUS	Notes
Are all the connecting components (T-boxes, junction boxes, connectors, etc.) connected with each other correctly?	-
Has each fieldbus segment been terminated at both ends with a bus terminator?	→ 46
Has the max. length of the fieldbus cable been observed in accordance with the PROFIBUS specifications?	→ 28
Has the max. length of the spurs been observed in accordance with the PROFIBUS specifications?	→ 29
Is the fieldbus cable fully shielded and correctly grounded?	→ 29



6 Operation

6.1 Quick operation guide

The user has a number of options for configuring and commissioning the device:

1. **Local display (option)** →  38
The local display makes it possible to read all important variables directly at the measuring point, configure device-specific parameters in the field and perform commissioning.
2. **Configuration programs** →  42
The configuration of profile and device-specific parameters is primarily done via the PROFIBUS interface. You can obtain special configuration and operating programs from various manufacturers for these purposes.

3. **Jumpers/miniature switches for hardware settings**

- PROFIBUS DP →  44
- PROFIBUS PA →  47

The following hardware settings can be made using a jumper or miniature switches on the I/O board:

- ▶ Address mode configuration (select software or hardware addressing)
- ▶ Device bus address configuration (for hardware addressing)
- ▶ Hardware write protection enabling/disabling

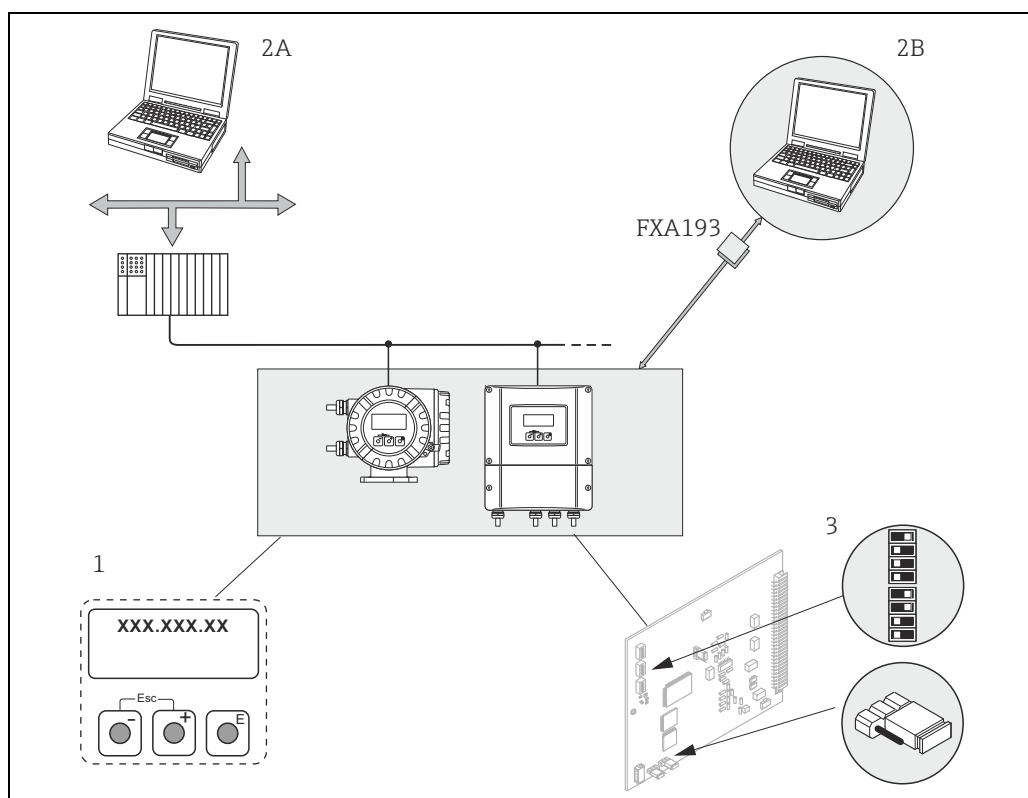


Fig. 26: Methods of operating PROFIBUS

- 1 Local display for device operation in the field (option)
- 2A Configuration/operating programs (e.g. FieldCare) for operation via PROFIBUS DP/PA
- 2B Configuration/operating program for operation via service interface FXA193 (e.g. FieldCare)
- 3 Jumper/miniature switches for hardware settings (write protection, device address, address mode)

6.2 Display and operating elements

The local display enables you to read all important parameters directly at the measuring point or configure the measuring device via the function matrix.

The display area consists of two lines; this is where measured values are displayed, and/or status variables (direction of flow, partially filled pipe, bar graph etc.). You can change the assignment of display lines to different variables to suit your needs and preferences (→ see the "Description of Device Functions" manual).

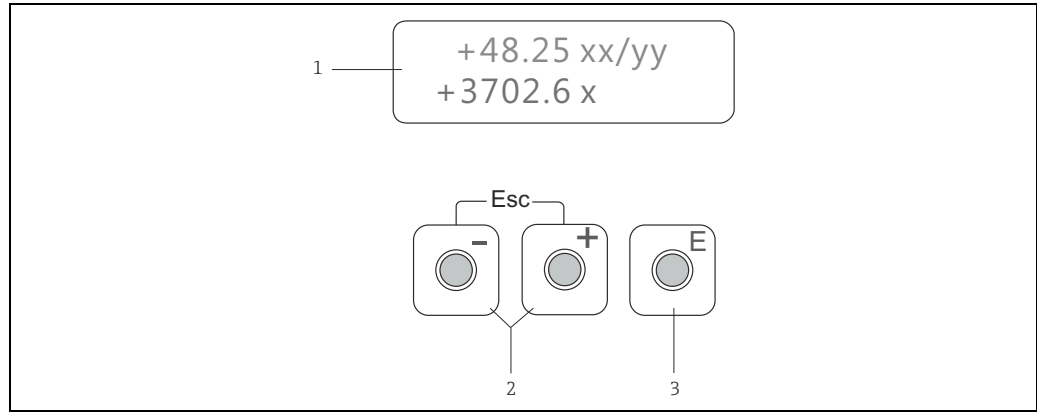



Fig. 27: Display and operating elements

- 1 **Liquid crystal display**
 The backlit, two-line liquid crystal display shows measured values, dialog texts, fault messages and notice messages. The display as it appears when normal measuring is in progress is known as the HOME position (operating mode).
 - Upper display line: Shows primary measured values, e.g. volume flow in [l/min] or in [%].
 - Lower display line: Shows supplementary measured variables and status variables, e.g. totalizer reading in [m3], bar graph, measuring point designation
- 2 **Plus/minus keys**
 - Enter numerical values, select parameters
 - Select different function groups within the function matrix
 Press the +/- keys simultaneously to trigger the following functions:
 - Exit the function matrix step by step → HOME position
 - Press and hold down +/- keys for longer than 3 seconds → Return directly to HOME position
 - Cancel data entry
- 3 **Enter key**
 - HOME position → Entry into the function matrix
 - Save the numerical values you input or settings you change

Icons

The icons which appear in the field on the left make it easier to read and recognize measured variables, measuring device status, and error messages.

Icon	Meaning	Icon	Meaning
S	System error	P	Process error
⚡	Fault message (with effect on outputs)	!	Notice message (without effect on outputs)
⊕	Low flow cut off or extended flow function is active		
← →	Cyclic communication via PROFIBUS active, e.g. via PLC (master Class 1) (alternating display)		
	Acyclic communication via PROFIBUS active, e.g. via FieldCare (master Class 2)		

A0001206

6.3 Brief operating instructions for the function matrix



Note!

- See the general notes → 40.
- For a detailed description of all the functions → "Description of Device Functions" manual

The function matrix is a two-level construct: the function groups form one level and the groups' functions the other.

The groups are the highest-level grouping of the control options for the measuring device. A number of functions is assigned to each group. You select a group in order to access the individual functions for operating and configuring the measuring device.

1. HOME position → **E** → Entry into the function matrix
2. Select a function group (e.g. CURRENT OUTPUT 1)
3. Select a function (e.g. TIME CONSTANT)
Change parameter / enter numerical values:
 - + -** → Select or enter enable code, parameters, numerical values
 - E** → Save your entries
4. Exit the function matrix:
 - Press and hold down Esc key (**Esc**) for longer than 3 seconds → HOME position
 - Repeatedly press Esc key (**Esc**) → Return step by step to HOME position

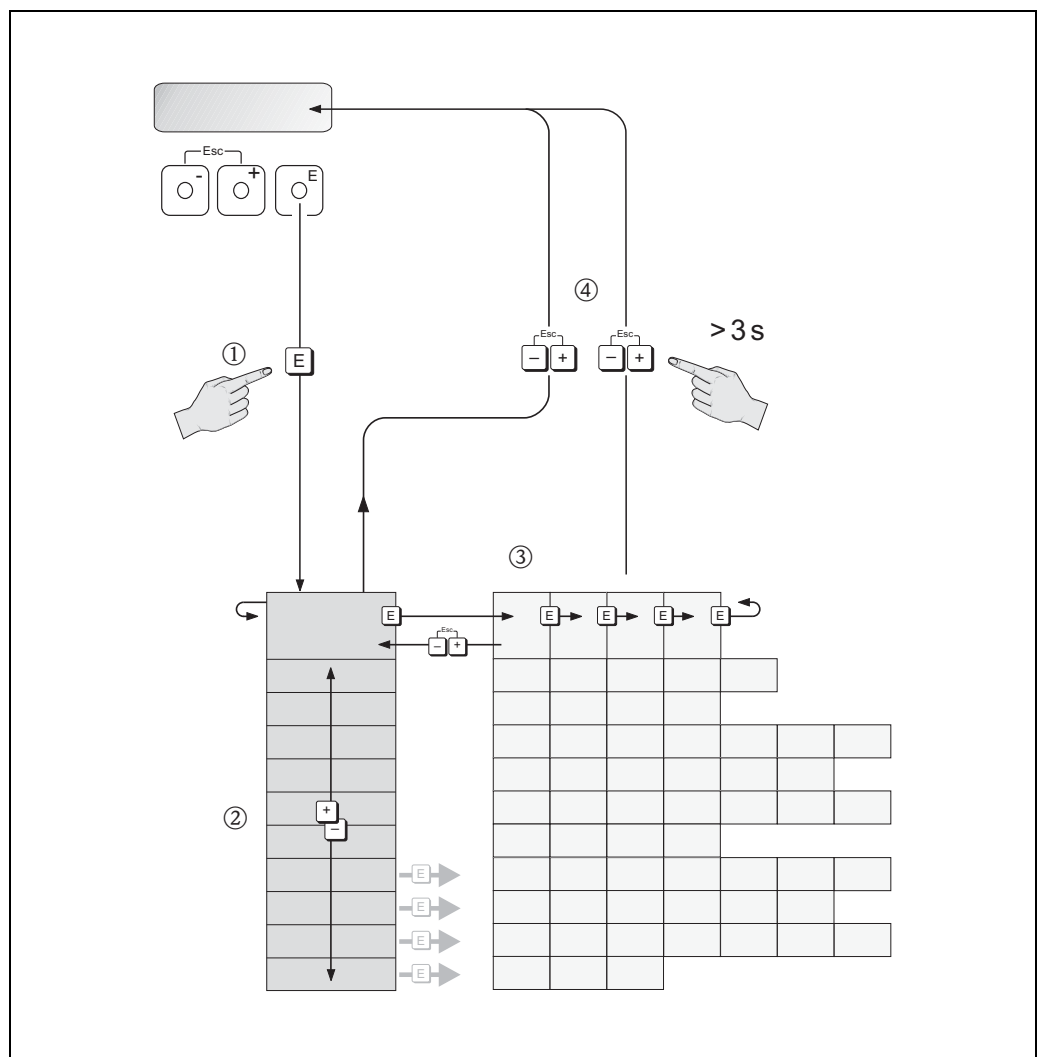



Fig. 28: Selecting functions and configuring parameters (function matrix)



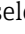
a0001142

6.3.1 General notes

The Quick Setup menu (→  49) contains the default settings that are adequate for commissioning.

Complex measuring operations on the other hand necessitate additional functions that you can configure as necessary and customize to suit your process parameters. The function matrix, therefore, comprises a multiplicity of additional functions which, for the sake of clarity, are arranged in a number of function groups.

Comply with the following instructions when configuring functions:

- You select functions as described already. →  39
- You can switch off certain functions (OFF). If you do so, related functions in other function groups will no longer be displayed.
- Certain functions prompt you to confirm your data entries.
Press  to select "SURE (YES)" and press  to confirm. This saves your setting or starts a function, as applicable.
- Return to the HOME position is automatic if no key is pressed for 5 minutes.
- Programming mode is disabled automatically if you do not press a key within 60 seconds following automatic return to the HOME position.



Caution!

All functions are described in detail, as is the function matrix itself, in the "Description of Device Functions" manual, which is a separate part of these Operating Instructions.



Note!


- The transmitter continues to measure while data entry is in progress, i.e. the current measured values are output via the signal outputs in the normal way.
- If the power supply fails, all preset and parameterized values remain safely stored in the EEPROM.

6.3.2 Enabling the programming mode

The function matrix can be disabled. Disabling the function matrix rules out the possibility of inadvertent changes to device functions, numerical values or factory settings. A numerical code (factory setting = 50) has to be entered before settings can be changed.

If you use a code number of your choice, you exclude the possibility of unauthorised persons accessing data (→ see the "Description of Device Functions" manual).

Comply with the following instructions when entering codes:

- If programming is disabled and the  operating elements are pressed in any function, a prompt for the code automatically appears on the display.
- If "0" is specified as the customer's code, programming is always enabled.
- Your Endress+Hauser sales center can be of assistance if you mislay your private code.



Caution!

Changing certain parameters, such as all sensor characteristics, for example, influences numerous functions of the entire measuring system, particularly measuring accuracy. There is no need to change these parameters under normal circumstances and, consequently, they are protected by a special code known only to the Endress+Hauser sales center. Please contact Endress+Hauser first if you have any questions.

6.3.3 Disabling the programming mode

Programming mode is disabled if an operating element is not pressed within 60 seconds following automatic return to the HOME position.

Programming can also be disabled by entering any number in the "ACCESS CODE" function (other than the customer's code).

6.4 Error messages

6.4.1 Type of error

Errors that occur during commissioning or measuring are displayed immediately. If two or more system or process errors occur, the error with the highest priority is the one shown on the display.

The measuring device distinguishes between two types of error:

- *System error* → ⓘ 93:
This group includes all device errors, e.g. communication errors, hardware errors etc.
- *Process error* → ⓘ 100
This group includes all application errors, e.g. flow limit etc.

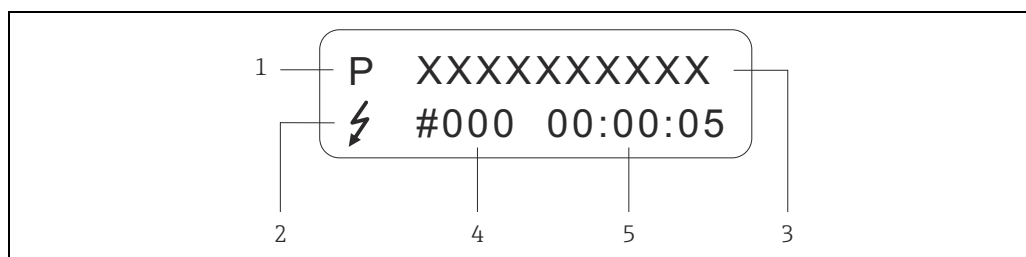


Fig. 29: Error messages on the display (example)

- 1 Error type: P = process error, S = system error
- 2 Error message type: ⚡ = fault message, ! = notice message, definition
- 3 Error designation: e.g. FLOW LIMIT = maximum flow limit exceeded
- 4 Error number: e.g. #401
- 5 Duration of most recent error occurrence (in hours, minutes and seconds)

6.4.2 Error message type

The measuring device always assigns system and process errors which occur to two types of error messages

(fault or notice messages) resulting in different weightings → ⓘ 92 ff.

Serious system errors, e.g. module defects, are always identified and classed as "fault messages" by the measuring device.

Notice message (!)

- The error in question has no effect on the current operation.
- Displayed as → Exclamation mark (!), error type (S: system error, P: process error).
- Displaying the device status on PROFIBUS DP/PA → ⓘ 93

Fault message (\$)

- The error in question interrupts or stops the current operation.
- Displayed as → Lightning flash (⚡), error type (S: system error, P: process error)
- Displaying the device status on PROFIBUS DP/PA → ⓘ 93

6.5 Operating options

6.5.1 Operating program "FieldCare"

FDT-based plant asset management tool from Endress+Hauser. It can configure all intelligent field devices in your plant and supports you in managing them. By using status information, it also provides a simple but effective means of checking their health. The Proline flow measuring devices are accessed via a service interface or via the service interface FXA193.


6.5.2 Operating program "SIMATIC PDM" (Siemens)

SIMATIC PDM is a standardised, manufacturer-independent tool for the operation, configuration, maintenance and diagnosis of intelligent field devices.

6.5.3 Device description files

The device description files that suit the individual operating tools are listed in the following table.

PROFIBUS DP


Valid for device software:	3.06.XX	→ Function DEVICE SOFTWARE
PROFIBUS DP device data:		
Profile Version:	3.0	→ Function PROFILE VERSION
t-mass 65 ID No.:	1545hex	→ Function DEVICE ID
Profile ID No.:	9740hex	
GSD file information:		
t-mass 65 GSD file:	Extended format (recommended):	eh3x1545.gsd
	Standard format:	eh3_1545.gsd
	 Note! When planning and configuring the PROFIBUS network, please observe the information on using GSD files → 62 ff.	
Profile GSD file:	PA039740.gsd	
Bitmaps:	EH_1545_d.bmp/.dib EH_1545_n.bmp/.dib EH_1545_s.bmp/.dib	
Software release:	10.2010	
Operating program		Sources for obtaining device descriptions
t-mass GSD file	<ul style="list-style-type: none"> ▪ www.endress.com → Download 	
Profile GSD file	<ul style="list-style-type: none"> ▪ www.profibus.com 	
FieldCare / DTM	<ul style="list-style-type: none"> ▪ www.endress.com → Download ▪ CD-ROM (Endress+Hauser order number: 56004088) ▪ DVD (Endress+Hauser order number: 70100690) 	
SIMATIC PDM	<ul style="list-style-type: none"> ▪ www.endress.com → Download 	

Tester/simulator:	
Measuring device:	How to acquire:
Fieldcheck	<ul style="list-style-type: none"> ▪ Update by means of FieldCare with the Flow Device FXA193/291 DTM in the Fieldflash module.



Note!
 The Fieldcheck tester/simulator is used for testing flowmeters in the field. When used in conjunction with the "FieldCare" software package, test results can be imported into a database, printed out and used for official certification. Further information is available from your Endress+Hauser sales center.

PROFIBUS PA

Valid for device software:	3.06.XX	→ Function DEVICE SOFTWARE
PROFIBUS PA device data		
Profile Version:	3.0	→ Function PROFILE VERSION
t-mass 65 ID No.:	1550hex	→ Function DEVICE ID
Profile ID No.:	9740hex	
GSD file information:		
t-mass 65 GSD file:	Extended format (recommended): Standard format:	eh3x1550.gsd eh3_1550.gsd
	 Note! When planning and configuring the PROFIBUS network, please observe the information on using GSD files → 62 ff.	
Profile GSD file:	PA039740.gsd	
Bitmaps:	EH_1550_d.bmp/.dib EH_1550_n.bmp/.dib EH_1550_s.bmp/.dib	
Software release:	10.2010	
Operating program		Sources for obtaining device descriptions
t-mass 65 GSD file	<ul style="list-style-type: none"> ■ www.endress.com → Download ■ www.profibus.com 	
FieldCare / DTM	<ul style="list-style-type: none"> ■ www.endress.com → Download ■ CD-ROM (Endress+Hauser order number: 56004088) ■ DVD (Endress+Hauser order number: 70100690) 	
SIMATIC PDM	<ul style="list-style-type: none"> ■ www.endress.com → Download 	

Tester/simulator:	
Measuring device:	How to acquire:
Fieldcheck	<ul style="list-style-type: none"> ■ Update by means of FieldCare with the Flow Device FXA193/291 DTM in the Fieldflash module.



Note!

The Fieldcheck tester/simulator is used for testing flowmeters in the field. When used in conjunction with the "FieldCare" software package, test results can be imported into a database, printed out and used for official certification. Further information is available from your Endress+Hauser sales center.

6.6 PROFIBUS DP hardware settings

6.6.1 Configuring the write protection

A jumper on the I/O board provides the means of switching hardware write protection on or off. When the hardware write protection is switched on, it is **not** possible to write to the device parameters via PROFIBUS (acyclic data transmission, e.g. via operating program "FieldCare").



Warning!

Risk of electric shock. Exposed components carry dangerous voltages. Switch off the power supply before you remove the cover of the electronics compartment.

1. Switch off the power supply.
2. Remove the I/O board.
3. Configure the hardware write protection accordingly with the aid of the jumpers (see Figure).
4. Installation is the reverse of the removal procedure.

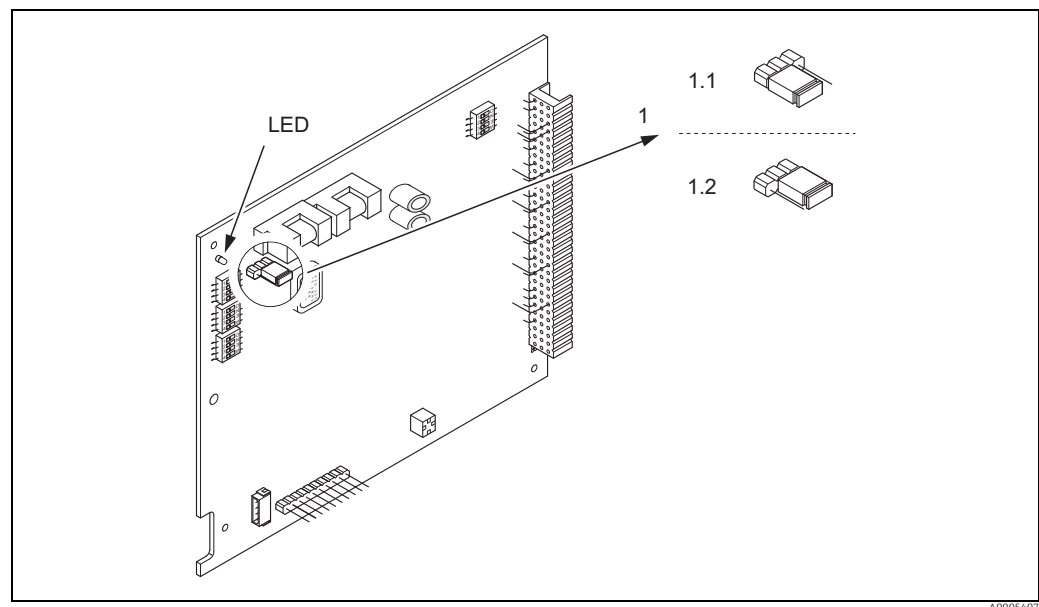


Fig. 30: Switching write protection on and off with the aid of a jumper on the I/O board

1 Jumper for switching write protection on and off

1.1 Write protection switched on = it is **not** possible to write to the device functions via PROFIBUS (acyclic data transmission, e.g. via the operating program "FieldCare")

1.2 Write protection switched off (factory setting) = it is possible to write to the device functions via PROFIBUS (acyclic data transmission, e.g. via the operating program "FieldCare")

LED Overview of LED status:

- Lit continuously → Ready for operation
- Not lit → Not ready for operation
- Flashing → System or process error present → 92

6.6.2 Configuring the device address

The address must always be configured for a PROFIBUS DP/PA device. Valid device addresses are in the range from 1 to 126. Each address can only be assigned once in a PROFIBUS DP/PA network. If an address is not configured correctly, the device is not recognized by the master. All measuring devices are delivered from the factory with the address 126 and software addressing.

Addressing via local operation or operating program

Addressing takes place in the FIELDBUS ADDRESS function → see "Description of Device Functions" manual.

Addressing via miniature switches



Warning!

Risk of electric shock. Exposed components carry dangerous voltages. Switch off the power supply before you remove the cover of the electronics compartment.

1. Loosen Allen screw (3 mm) of the securing clamp.
2. Unscrew cover of the electronics compartment from the transmitter housing.
3. Remove the local display (if present). To do so, loosen the set screws of the display module.
4. Set the position of the miniature switches on the I/O board using a sharp pointed object.
5. Installation is the reverse of the removal procedure.

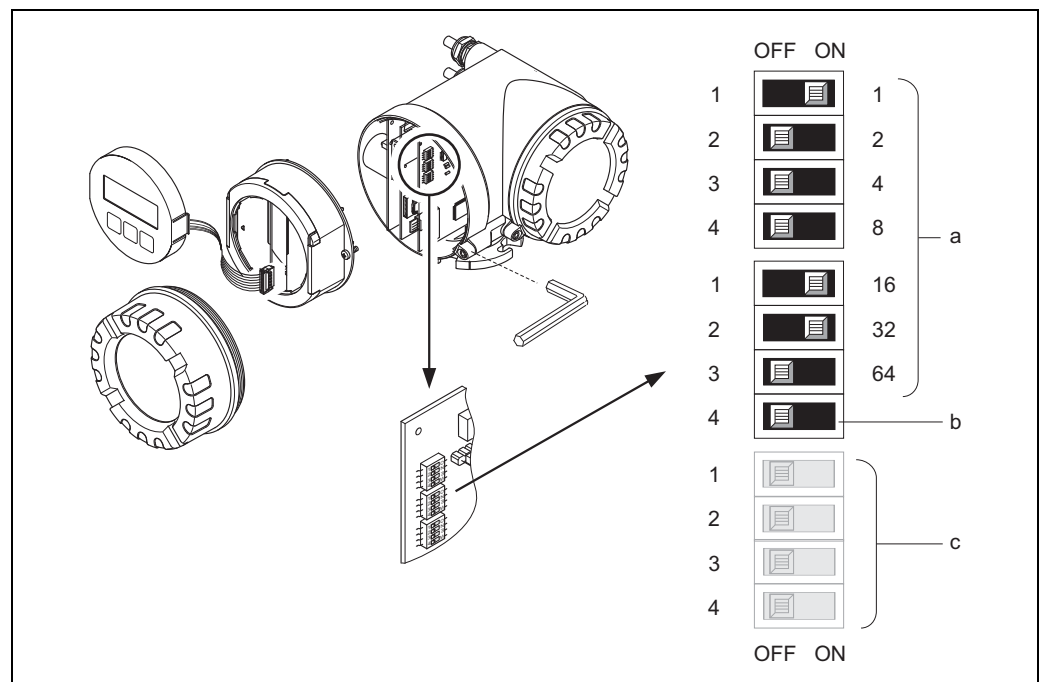


Fig. 31: Addressing with the aid of miniature switches on the I/O board

- a Miniature switches for setting the device address (illustrated: $1 + 16 + 32 =$ device address 49)
 b Miniature switches for the address mode (method of addressing):
 OFF = software addressing via local operation or operating program (factory setting)
 ON = hardware addressing via miniature switches
 c Miniature switches not assigned

6.6.3 Configuring the terminating resistors



Note!

It is important to terminate the RS485 line correctly at the start and end of the bus segment since impedance mismatch results in reflections on the line which can cause faulty data transfer.



Warning!

Risk of electric shock. Exposed components carry dangerous voltages. Switch off the power supply before you remove the cover of the electronics compartment.

- For baudrates up to 1.5 MBaud, the termination is set via the terminating switch SW 1 for the last transmitter on the bus: ON – ON – ON – ON.
- The measuring device is operated with a baudrate >1.5 MBaud: Due to the capacitive load of the device and the line reflection generated as a result, make sure that external termination is used.

The miniature switch for termination is located on the I/O board (see Figure):

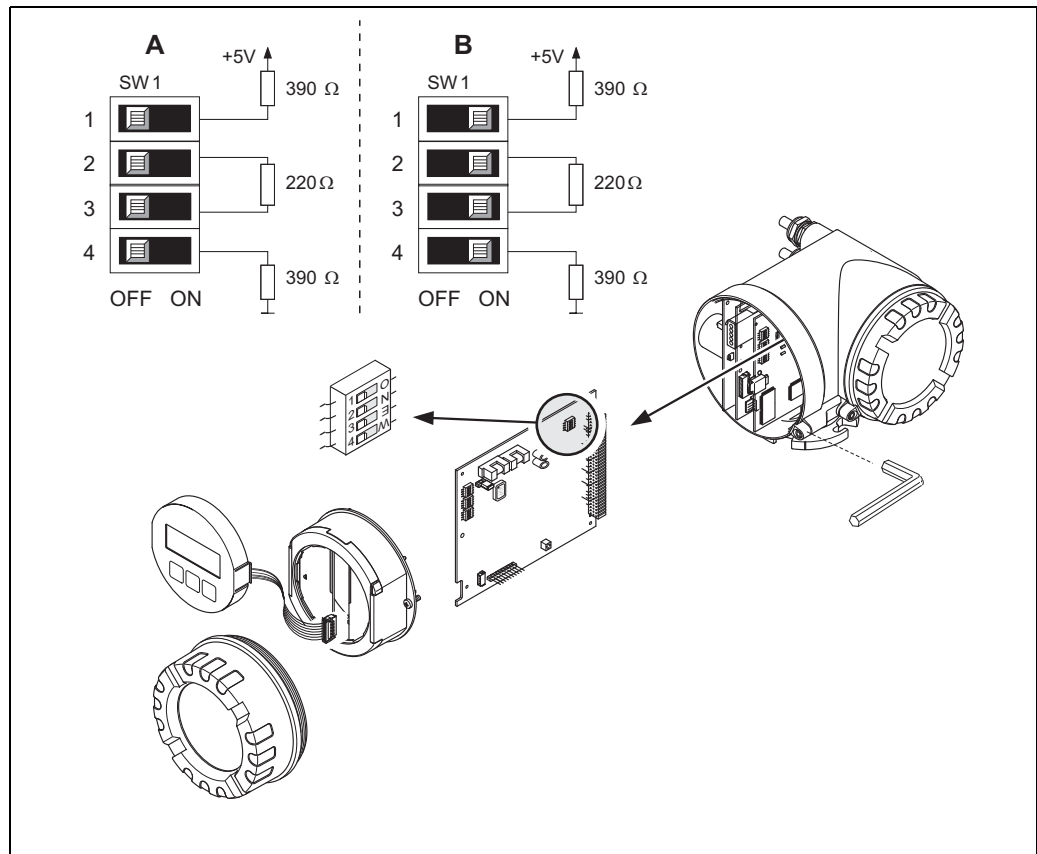


Fig. 32: Set terminating resistors (for baud rates < 1.5 MBaud)

A = Factory setting

B = Setting at the last transmitter



Note!

It is generally recommended to use external termination since if a device that is terminated internally is defect, this can result in the failure of the entire segment.

6.7 PROFIBUS PA hardware settings

6.7.1 Configuring the write protection

A jumper on the I/O board provides the means of switching hardware write protection on or off. When the hardware write protection is switched on, it is **not** possible to write to the device parameters via PROFIBUS (acyclic data transmission, e.g. via operating program "FieldCare").



Warning!

Risk of electric shock. Exposed components carry dangerous voltages. Switch off the power supply before you remove the cover of the electronics compartment.

1. Switch off the power supply.
2. Remove the I/O board.
3. Configure the hardware write protection accordingly with the aid of the jumpers (see Figure).
4. Installation is the reverse of the removal procedure.



A0001359

Fig. 33: Switching write protection on and off with the aid of a jumper on the I/O board

- 1 Jumper for switching write protection on and off
 - 1.1 Write protection switched on = it is **not** possible to write to the device functions via PROFIBUS (acyclic data transmission, e.g. via the operating program "FieldCare")
 - 1.2 Write protection switched off (factory setting) = it is possible to write to the device functions via PROFIBUS (acyclic data transmission, e.g. via the operating program "FieldCare")
 - 2 Jumper without function
- LED Overview of LED status:
- Lit continuously → Ready for operation
 - Not lit → Not ready for operation
 - Flashing → System or process error present → 92

6.7.2 Configuring the device address

The address must always be configured for a PROFIBUS DP/PA device. Valid device addresses are in the range from 1 to 126. Each address can only be assigned once in a PROFIBUS DP/PA network. If an address is not configured correctly, the device is not recognized by the master. All measuring devices are delivered from the factory with the address 126 and software addressing.

Addressing via local operation/operating program

Addressing takes place in the FIELDBUS ADDRESS function → see the "Description of Device Functions" manual.

Addressing via miniature switches



Warning!

Risk of electric shock. Exposed components carry dangerous voltages. Switch off the power supply before you remove the cover of the electronics compartment.

1. Loosen Allen screw (3 mm) of the securing clamp.
2. Unscrew cover of the electronics compartment from the transmitter housing.
3. Remove the local display (if present). To do so, loosen the set screws of the display module.
4. Set the position of the miniature switches on the I/O board using a sharp pointed object.
5. Installation is the reverse of the removal procedure.

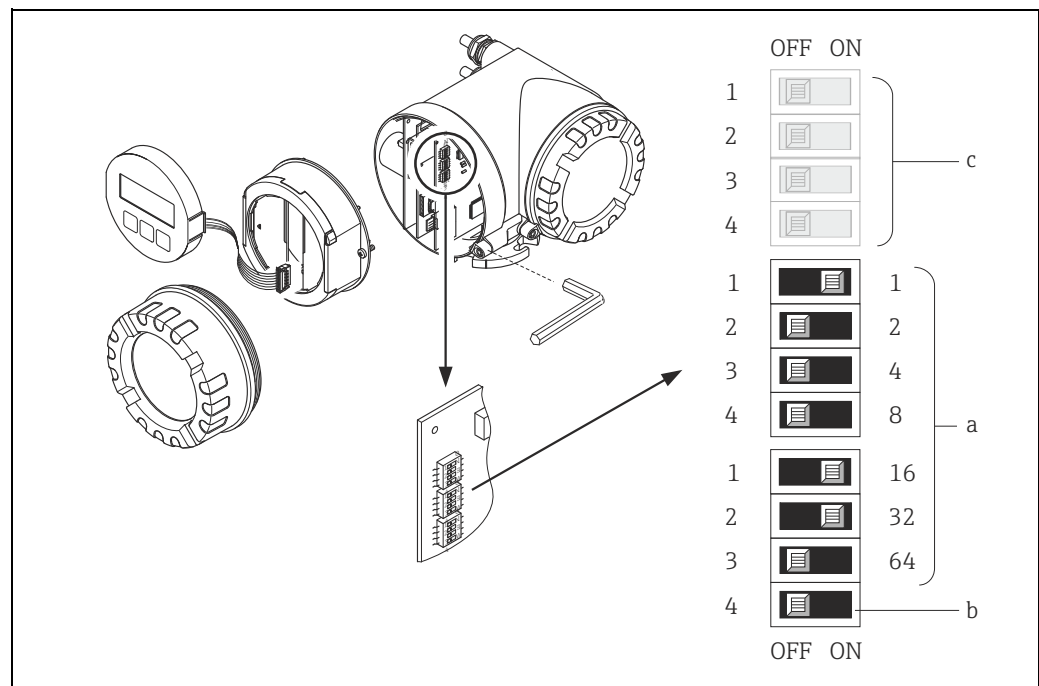




Fig. 34: Addressing with the aid of miniature switches on the I/O board

- a Miniature switches for setting the device address (illustrated: $1 + 16 + 32 =$ device address 49)
- b Miniature switches for the address mode (method of addressing):
- OFF = software addressing via local operation/operating program (factory setting)
 - ON = hardware addressing via miniature switches
- c Miniature switches not assigned

7 Commissioning

7.1 Function check

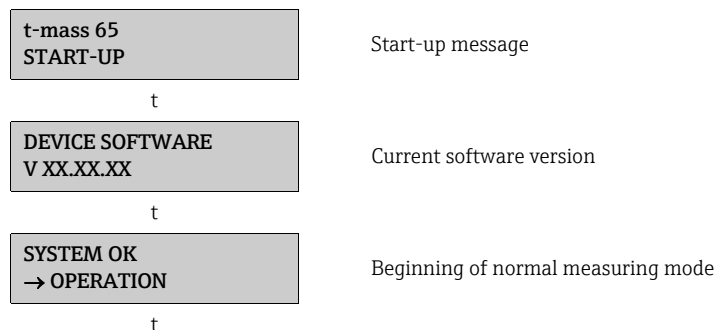
Perform all the final checks before putting the measuring point into operation:

- Checklist for "Post-installation check" →  27
- Checklist for "Post-connection check" →  36

7.2 Switching on the measuring device

Only switch on the supply voltage once all the final checks have been performed. The measuring device is now operational.

The measuring device performs a number of power on self-tests. As this procedure progresses the following sequence of messages appears on the local display:



Normal measuring mode commences as soon as start-up completes.

Various measured values and/or status variables appear on the display (HOME position).



Note!

If start-up fails, an error message indicating the cause is displayed.

7.3 Quick Setup

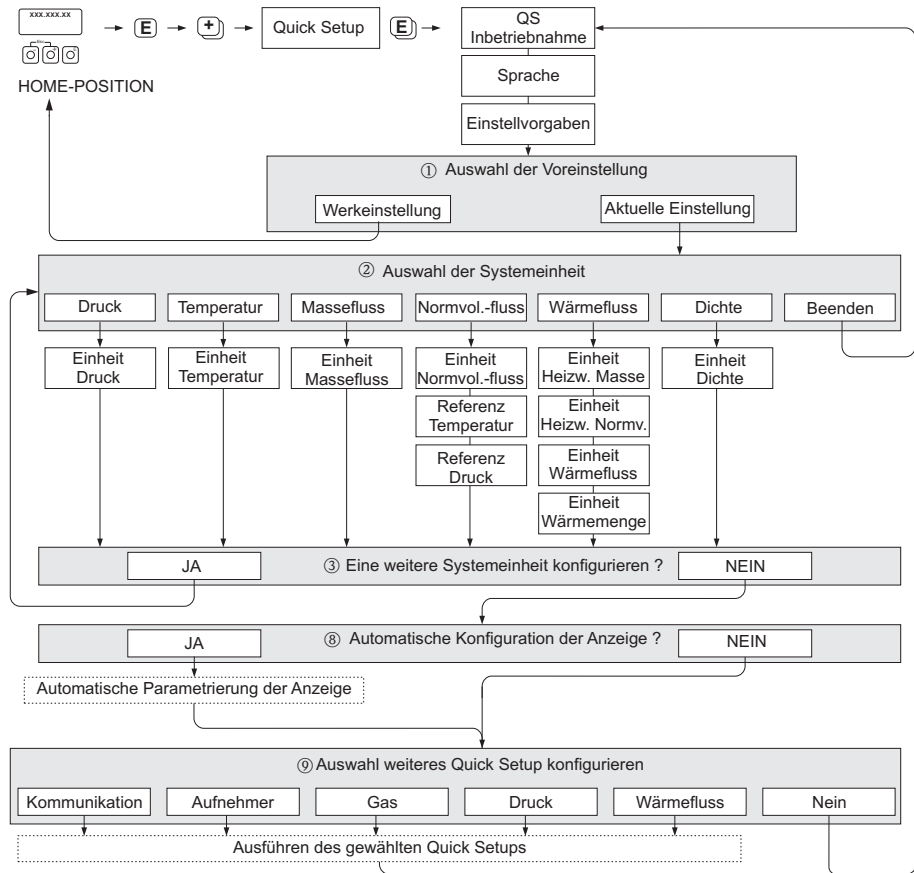
All important device parameters for standard operation can be configured quickly and easily by means of the Quick Setup menu, especially for devices that have been delivered with factory default settings.



Note!

If the measuring device has been ordered with customer-specific settings then the Quick Setup is not necessary. Check that the parameterization protocol on the CD delivered with the device matches your required data.

7.3.1 Quick Setup "Commissioning"



A0005458-en

Fig. 35: QUICK SETUP COMMISSIONING- menu for straightforward configuration of the major device functions



Note!

The display returns to the QUICK SETUP cell if you press the ESC key combination (\leftarrow) during programming of a parameter anywhere in the menu. The configuration settings already made remain valid, however.

QUICK SETUP - COMMISSION

Use the \leftarrow or \rightarrow key at the prompt "QS-COMMISSION NO" and the device access code entry appears. Enter the device access code "65" and press \leftarrow ; programming is enabled. The prompt "QS-COMMISSION NO" appears. Use the \leftarrow or \rightarrow key to change NO to YES and press \leftarrow .

LANGUAGE

Use the \leftarrow or \rightarrow key to select the required language and continue with \leftarrow .

PRE-SETTING.

① Select ACTUAL SETTINGS to continue programming the measuring device and go to the next level or select DELIVERY SETTINGS to reset the measuring device. The measuring device restarts and returns to the Home position.

- ACTUAL SETTINGS are the parameters currently programmed in the measuring device

- DELIVERY SETTINGS are the programmed parameters (factory settings plus customer-specific settings) originally delivered with the measuring device

SYSTEM UNITS.

Select required system unit function and carry out parameterization or select QUIT to return to the QUICK SETUP function if no further programming is required.

- ② Only units not yet configured in the current setup are available for selection in each cycle.
- ③ The YES option remains visible until all the units have been configured.
NO is the only option displayed when no further units are available.

Automatic configuration of the display

- ⑧ The "automatic parameterization of the display" option contains the following basic settings/factory settings:
 - YES: main line = MASS FLOW, additional line = TOTALIZER 1
 - NO: The existing (selected) settings remain.

Carry out another Quick Setup?

- ⑨ Select additional Quick Setups to complete commissioning or select NO to exit.

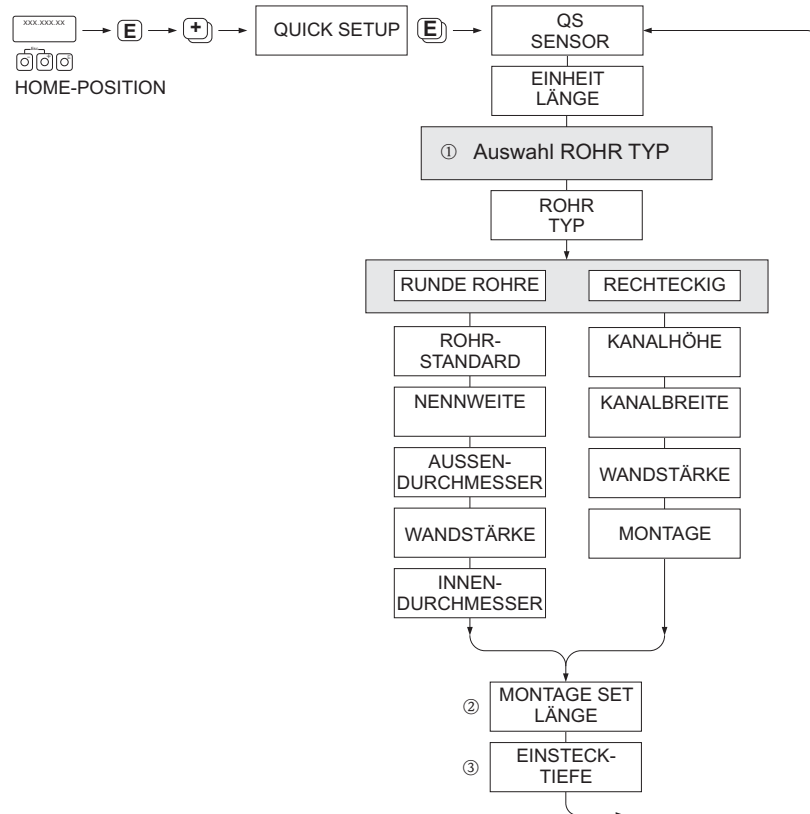
7.3.2 Quick Setup "Sensor"

It is essential that the insertion sensor is setup according to the actual pipe or duct and then installed at the calculated insertion depth. This Quick Setup guides the user systematically through the procedure to setup the sensor.



Note!

The QUICK SETUP SENSOR function is not available for flanged type sensors.



A0009910-en

PIPE TYPE

- ① ■ CIRCULAR
 - in case that the pipe is of a standard type, then parameterize functions PIPE STANDARD and NOMINAL DIAMETER
 - In case that the pipe is a non-standard type, then select OTHERS in the function PIPE STANDARD and parameterize the functions WALL THICKNESS and OUTER DIAMETER.
 - The function INTERNAL DIAMETER displays the calculated internal diameter and is read only.
- RECTANGULAR
 - Enter the INTERNAL HEIGHT, INTERNAL WIDTH and WALL THICKNESS of the duct
 - Select the MOUNTING orientation of the sensor: HORIZONTAL or VERTICAL

MOUNTING SET LENGTH

- ② Enter the measured length of the mounting set (including the compression fitting) → 19.

INSERTION DEPTH

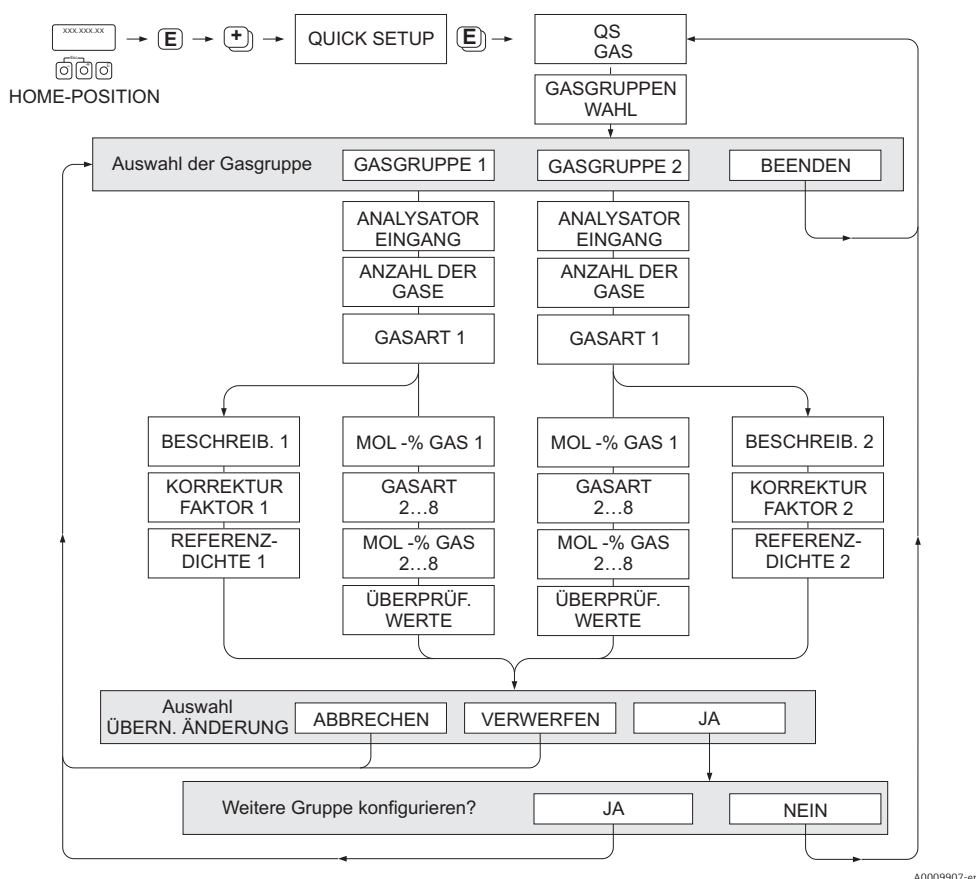
- ③ This function calculates the insertion depth value for the mounting of the sensor → 19.

Press **E** to save settings and return to QUICK SETUP SENSOR group.

7.3.3 "Gas" Quick Setup menu

The device can be setup with 1 or 2 individual gas groups in memory. This means that up to 2 different gas flow streams (e.g. nitrogen and argon) can be measured in a single pipe with one flowmeter.

In the case of 2 gas groups being used, a digital input can be assigned to switch between the gas groups or, alternatively, the switch can be done manually via a function in the device software. Furthermore, a programmed gas mixture can be dynamically updated, via a signal from a gas analyzer.



A0009907-en

Programming a gas group

The measuring device allows flexible change of the gas group parameters, independent of the original factory setup and calibration.

A gas group can be programmed as:

- one single gas or
- one gas mixture (of up to 8 components)

A single gas can be:


- selected from a list of standard gases or
- setup for other suitable types of gases, such as Ozone, using manual correction factors and the option called SPECIAL GAS. This requires application evaluation at the factory - In this case, please contact your Endress+Hauser sales center for clarification.

Setting or viewing the active gas group

Go to the function SELECT GROUP and simply select 1 or 2 and then exit using ESC (+/- keys simultaneously). No save function is necessary.


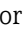




Note!

The Quick Setup Gas function is not available if an in-situ calibration function has been performed on the measuring device as the in-situ calibration curve refers to the sensor power at each recorded flow point. Therefore, the programmed gas settings become redundant. →  89


Performing the Quick Setup

1. GAS GROUP



Use the  or  key to select the required GAS GROUP and continue with .

- Set the ANALYZER INPUT to ON if a gas compensation input is being used →  85
- Select the NUMBER OF GASES in the group from 1 to 8.
- select the GAS TYPE from the choose list.
- enter the MOLE % for each GAS TYPE (only if NUMBER OF GASES is 2 and more).
- The error message CHECK VALUES appears if the total mixture % does not equal 100%. Go back and check the mixture settings.

2. SAVE CHANGES?

- Select YES to save the settings in GAS GROUP 1 or 2 and activate the last gas group selected. Press  to continue or
- Select CANCEL to save the entered settings in buffer memory but not activate them for measurement. If this function is selected, then it will be necessary to come back to this gas group and save it at a later stage.
- Select DISCARD to clear the last changes and return to CONFIGURE GROUP to make new settings.

3. ANOTHER GAS GROUP?

- Select YES to continue to the CONFIGURE GROUP function. Use the  or  key to select the desired GAS GROUP and proceed as per the above instructions.
- Select NO to exit to the Quick Setup.

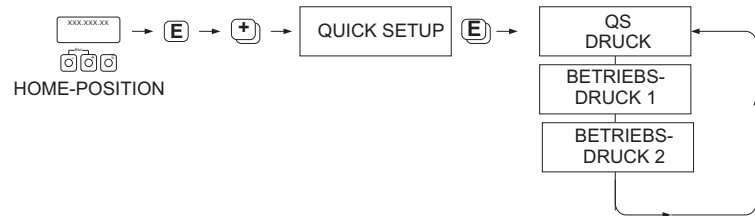


Note!

More detailed information on the GAS GROUP programming can be found in the separate "Description of Device Functions" manual (BA00114D/06/... see chapter GAS).

7.3.4 "Pressure" Quick Setup menu

The individual process pressure for every gas group can be programmed with this Quick Setup. If only one gas group is being used, then only the function PROCESS PRESSURE 1 needs to be programmed, PROCESS PRESSURE 2 can remain with default settings.



A0009908-en



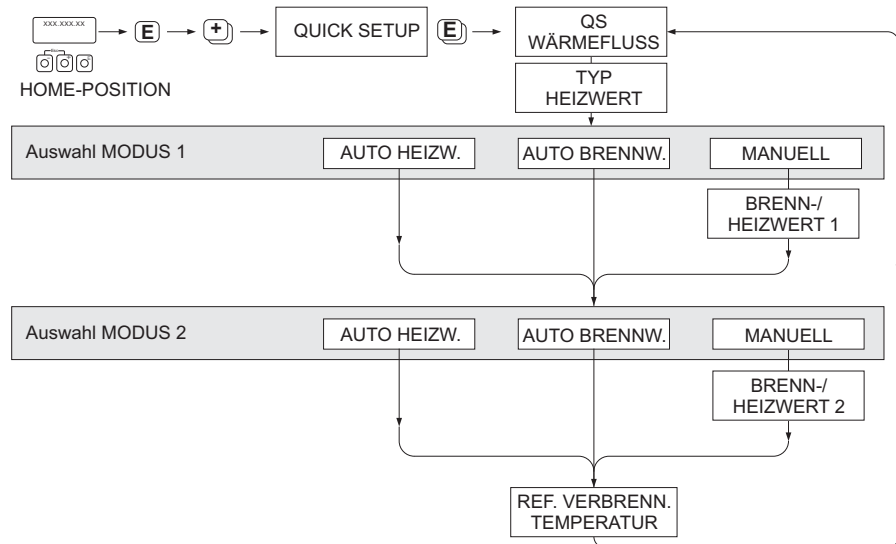
Note!

- The measuring device operates with absolute pressure only. All gauge pressure must be converted to absolute pressure.
- If a pressure compensating input is being used, then the input signal value overrides the manually programmed value. The pressure input value applies to both gas groups. i.e. 2 independent pressure values are no longer possible.
- The Quick Setup Gas function is not available if an in-situ calibration function has been performed on the measuring device as the in-situ calibration curve refers to the sensor power at each recorded flow point. Therefore, the programmed pressure settings become redundant → 89.

7.3.5 "Heat Flow" Quick Setup menu

The measuring device can calculate and output the heat of combustion of common fuel gases such as methane, natural gas, propane, butane, ethane and hydrogen.

This Quick Setup menu can be used to program the method to calculate the net calorific value or gross calorific value. The measuring device can be configured to give two independent heating value outputs and totalized values. For example, the pipeline has either natural gas or propane running at separate times and the heating value is required for both gases.



A0009909-en

Calculation mode 1 and 2

- The heating value for CALCULATION MODE 1 corresponds to the settings in the function GAS GROUP 1.
- The heating value for CALCULATION MODE 2 corresponds to the settings in the function GAS GROUP 2.



Note!

- If only one gas group is used, then leave mode 2 as default settings.
- The units of measure are selected in the system units section → 50.

Auto Gross

The gross heating value (or higher heating value) is the total heat obtained by complete combustion at constant pressure of a volume of gas in air, including the heat released by the water vapor in the combustion products (gas, air and combustion products taken at reference combustion temperature and standard pressure).

Auto Net

The net heating value (or lower heating value) is determined by subtracting the heat of vaporization of the water vapor from the higher heating value. This treats any water formed as water vapor. The energy required to vaporize the water therefore is not realized as heat.

Manual

This function allows entry of a user-specific heating value if the required value is different from the value in the following table.

Gas	Formula	Net/lower heating value		Gross/upper heating value	
		[Mj/kg]	MBtu/lb	[Mj/kg]	MBtu/lb
Hydrogen	H ₂	119.91	51.56	141.78	60.97
Ammonia	NH ₃	18.59	7.99	22.48	9.67
Carbon Monoxide	CO	10.1	4.34	10.1	4.34
Hydrogen Sulphide	H ₂ S	15.2	6.54	19.49	8.38
Methane	CH ₄	50.02	21.51	55.52	23.87
Ethane	C ₂ H ₆	47.5	20.43	51.93	22.33
Propane	C ₃ H ₈	46.32	19.92	50.32	21.64
Butane	C ₄ H ₁₀	45.71	19.66	49.51	21.29
Ethylene	C ₂ H ₄	47.16	20.28	50.31	21.63

* According to ISO Standard 6976:1995(E) and GPA Standard 2172-96

Reference combustion temperature

The following reference temperatures are used:

Country	reference combustion temperature
Austria, Belgium, Denmark, Germany, Italy, Luxembourg, The Netherlands, Poland, Russia, Sweden, Switzerland	25 °C
Brazil, China	20 °C
France, Japan	0 °C
Australia, Canada, Czech Republic, Hungary, India, Ireland, Malaysia, Mexico, South Africa, Great Britain	15 °C
Slovakia	25 °C
USA, Venezuela	60 °F

7.3.6 Quick Setup "Communication"

To establish cyclic data transfer, various arrangements between the PROFIBUS Master (class 1) and the slave are required which have to be taken into consideration when configuring various functions. These functions can be configured quickly and easily by means of the Communication Quick Setup. The configuration options for the parameters are explained in detail in the table that follows.

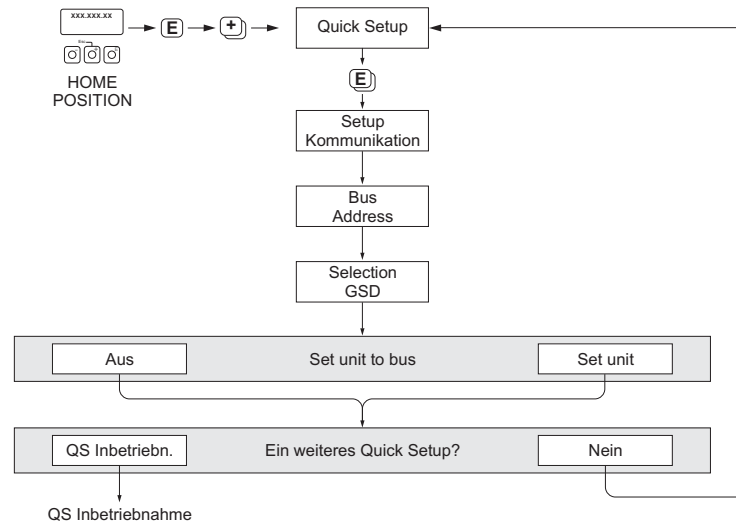


Fig. 36: Quick Setup Communication

A0005459-en

QUICK SETUP - COMMUNICATION

1. Use the + or - key at the prompt "QS-COMMISSION NO" and the device access code entry appears.
2. Enter the device access code "65" and press E; programming is enabled.
3. The prompt "QS-COMMUNICATION NO" appears.
4. Press the + or - key to change from "NO" to "YES" and press the E key.

FIELD BUS ADDRESS

Use the + or - key enter the device address (1 to 126) and continue with E.

SELECTION GSD

Use the + or - key to select the operating mode (GSD file) which should be used for cyclic communication with the PROFIBUS Master (class 1) and continue with the E key.

- MANUFACT. SPEC. (factory setting): The measuring device is operated with complete device functionality.
- PROFILE-GSD The measuring device is operated in the PROFIBUS Profile mode.



Note!

For PROFIBUS network configuration, make sure that the right device master file (GSD file) of the measuring device is used for the selected operating mode. → 62

UNIT TO BUS

If this function is executed, the measured variables (AI modules) transmitted cyclically are transmitted to the PROFIBUS Master (class 1) with the system unit configured in the measuring device.

Other Quick Setup?

To execute the Quick Setup Commission or back to the Quick Setup function group.

7.3.7 Data backup/transmission

Using the T-DAT SAVE/LOAD function, you can transfer data (device parameters and settings) between the T-DAT (exchangeable memory) and the EEPROM (device storage unit).

This is required in the following instances:

- Creating a backup: current data are transferred from an EEPROM to the T-DAT.
- Replacing a transmitter: current data are copied from an EEPROM to the T-DAT and then transferred to the EEPROM of the new transmitter.
- Duplicating data: current data are copied from an EEPROM to the T-DAT and then transferred to EEPROMs of identical measuring points.



Note!

For information on installing and removing the T-DAT → 102

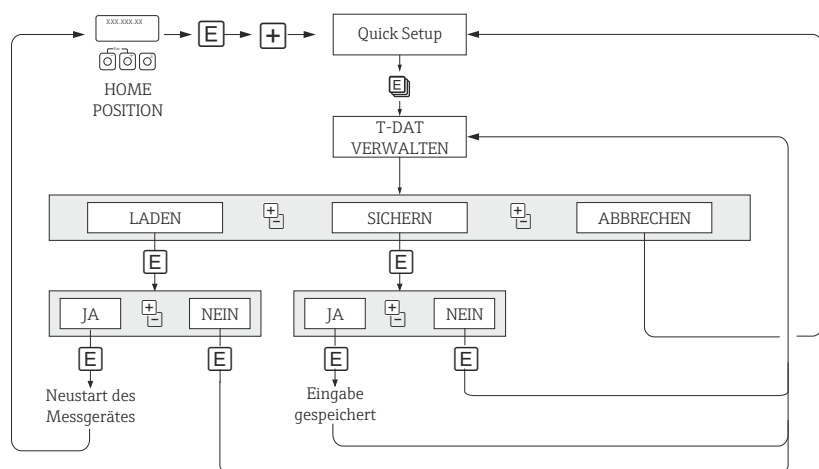


Fig. 37: Data backup/transmission with T-DAT SAVE/LOAD function

A0001221-en

Information on the LOAD and SAVE options available

LOAD:

Data are transferred from the T-DAT to the EEPROM.



Note!

- Any settings already saved on the EEPROM are deleted.
- This option is only available, if the T-DAT contains valid data.
- This option can only be executed if the software version of the T-DAT is the same or newer than that of the EEPROM. Otherwise, the error message "TRANSM. SW-DAT" appears after restarting and the LOAD function is then no longer available.

SAVE:

Data are transferred from the EEPROM to the T-DAT

7.4 Commissioning the PROFIBUS interface



Note!

- All functions required for commissioning are described in detail in the "Description of Device Functions" manual which is a separate part of this Operating Manual.
- A code (factory setting: 65) must be entered to change device functions, numerical values or factory settings → 40.

7.4.1 PROFIBUS DP/PA commissioning

The following steps must be carried out in the sequence specified:

1. **Check the hardware write protection:**
The WRITE PROTECT parameter indicates whether it is possible to write to the device parameters via PROFIBUS (acyclic data transmission, e.g. via operating program "Field-Care").



Note!

This check is not needed if operating via the local display.

COMMUNICATION → WRITE PROTECT → Display of one of the following options:

- OFF (factory setting) = write access via PROFIBUS possible
- ON = write access via PROFIBUS not possible

Deactivate the write protection if necessary.

PROFIBUS DP → 44, PROFIBUS PA → 47

2. **Enter the tag name (optional):**
COMMUNICATION → TAG NAME
3. **Configuring the fieldbus address:**
 - ▶ Software addressing using the local display or operating program:
COMMUNICATION → FIELDBUS ADDRESS
 - ▶ Hardware addressing via miniature switches
PROFIBUS DP → 45, PROFIBUS PA → 48
4. **Select the system unit:**
 - a. Determine the units by means of the "System units" group: SYSTEM UNITS → UNIT MASS FLOW / UNIT CORR. VOLUME FLOW/ UNIT...
 - b. In the function UNIT TO BUS, select the option SET UNITS so that the measured variables transmitted cyclically to the PROFIBUS Master (class 1) are transmitted with the system units set in the measuring device:
COMMUNICATION → UNIT TO BUS



Note!


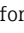
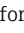
- The configuration of the system units for the totalizer is described in step 6.
- If the system unit of a measured variable is changed by means of the local operation or an operating program, this initially does not have any effect on the unit that is used to transmit the measured variable to the PROFIBUS Master (class 1). Changed system units of the measured variables are not transmitted to the PROFIBUS Master (class 1) until the SET UNITS option is activated in the function COMMUNICATION → UNIT TO BUS.

5. Configuration of the Analog Input function blocks 1 to 3:

The measuring device has three Analog Input function block (AI modules), through which the various measured variables can be cyclically transmitted to the PROFIBUS Master (class 1). The assignment of a measured variable to the Analog Input function block is shown below using the example of Analog Input function block 1 (AI module, slot 1).

Using the CHANNEL function, it is possible to determine the measured variable (e.g. mass flow) to be cyclically transmitted to the PROFIBUS Master (class 1):

- a. Select COMMUNICATION → BLOCK SELECTION
- b. Select the option AI1 - OUT VALUE
- c. Go to the function CHANNEL
- d. Select the option MASS FLOW


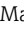
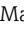
Measured variable	ID for CHANNEL function
MASS FLOW (factory setting AI function block 1)	277
CORR. VOLUME FLOW (factory setting AI function block 2)	398
TEMPERATURE (factory setting AI function block 3)	285
 Note! If, when the PROFIBUS network configuration, the module "AI" was integrated in slot 1, 2 or 3, the measured variable selected in the CHANNEL function is transmitted cyclically to the PROFIBUS Master (class 1) for the respective Analog Input function block 1 to 3 (PROFIBUS DP →  67, PROFIBUS PA →  76).	

6. Configuration of totalizers 1 to 2:


The measuring device has two totalizers. The following example describes the configuration of the totalizer using totalizer 1 as an example.

Using the CHANNEL function, it is possible to determine the measured variable (e.g. totalized mass flow) to be cyclically transmitted to the PROFIBUS Master (class 1) as a totalizer value:

- a. Select TOTALIZER → SELECT TOTALIZER
- b. Select the option TOTALIZER 1
- c. Go to the function CHANNEL
- d. Select the option MASS FLOW

Totalizer value/measured variable	ID for CHANNEL function
MASS FLOW (factory setting totalizer 1 to 2)	277
CORR. VOLUME FLOW	398
OFF	0
 Note! If, during the PROFIBUS network configuration, the module or the function "TOTAL" was integrated in slot 4 or 5, the measured variable selected in the CHANNEL function is transmitted cyclically to the PROFIBUS Master (class 1) for the respective totalizer 1 to 2 (PROFIBUS DP →  67, PROFIBUS PA →  76).	

- Enter the desired unit for the totalizer:
TOTALIZER → UNIT TOTALIZER
- Configure totalizer status (e.g. totalize):
TOTALIZER → SET TOTALIZER → Option: TOTALIZE
- Set the totalizer mode: TOTALIZER → MODE TOTALIZER
Select one of the following options:
 - BALANCE (factory setting): calculates the positive and negative flow portions.
 - POSITIVE: calculates the positive flow portions.
 - NEGATIVE: calculates the positive flow portions.
 - HOLD VALUE: The totalizer remains at the last value.

 Note!


The device can't calculate negative flow portions.


7. **Select the operating mode:**

Select the operating mode (GSD file) which should be used for cyclic data transmission with the PROFIBUS Master.

COMMUNICATION → SELECTION GSD → Selection of one of the following options:

- MANUFACT. SPEC. (factory setting): the complete device functionality is available.
- PROFILE-GSD: The device is operated in the PROFIBUS Profile mode.


 Note!

For PROFIBUS network configuration, make sure that the right device master file (GSD file) of the measuring device is used for the selected operating mode →  62

8. **Configuration of cyclic data transmission in the PROFIBUS master:**

A detailed description of the cyclic data transmission can be found at

PROFIBUS DP →  65

PROFIBUS PA →  74

7.5 PROFIBUS DP/PA system integration

7.5.1 Device master file (GSD file)


For PROFIBUS network configuration, the device master file (GSD file) is needed for every bus participant (PROFIBUS slave). The GSD file contains a description of the properties of a PROFIBUS device, such as supported data transmission rate and number of input and output data. Before configuration takes place, a decision should be made as to which GSD file should be used to operate the measuring device in the PROFIBUS DP Master (class 1) system.

The measuring device supports the following GSD files:

- t-mass GSD file (manufacturer-specific GSD file, complete device functionality)
- PROFIBUS Profile GSD file:

Below you will find a detailed description of the GSD files supported.

GSD file (manufacturer-specific GSD file, complete device functionality)

Use this GSD file to access the complete functionality of the measuring device. In this way, device-specific measured variables and functions are thus completely available in the PROFIBUS master system. An overview of the modules available (input and output data) is contained on →  65.

GSD file with standard or extended format

The GSD file with either the standard or the extended format must be used depending on the PROFIBUS Master used. When installing the GSD file, the GSD file with the extended format (EH3x15xx.gsd) should always be used first.

However, if the installation or the configuration of the measuring device fails with this format, then use the standard GSD (EH3_15xx.gsd). This differentiation is the result of different implementation of the GSD formats in the master systems.

Pay attention to the specifications of the configuration software.

Name of the t-mass GSD file

	ID No.	GSD file	Bitmaps
PROFIBUS DP	1545 (Hex)	Extended Format (recommended): Standard format:	EH3x1545.gsd EH3_1545.gsd
			EH_1545_d.bmp/.dib EH_1545_n.bmp/.dib EH_1545_s.bmp/.dib
PROFIBUS PA	1550 (Hex)	Extended Format (recommended): Standard format:	EH3x1550.gsd EH3_1550.gsd
			EH_1550_d.bmp/.dib EH_1550_n.bmp/.dib EH_1550_s.bmp/.dib

Source

- Internet (Endress+Hauser) → www.endress.com (→ Download → Software → Device Drivers)
- CD-ROM with all GSD files for Endress+Hauser devices → Order No.: 56003894

Contents of the download file from the Internet and the CD-ROM

- All Endress+Hauser GSD files (standard and extended format)
- Endress+Hauser bitmap files
- Useful information relating to the devices

PROFIBUS Profile GSD file:

The function scope of the profile GSD file is defined by the PROFIBUS Profile Specification 3.0.

The function scope is restricted compared to the manufacturer-specific GSD file (complete device functionality). However, similar devices from different manufacturers can be interchanged with the profile GSD file without the need to reconfigure (interchangeability).

The following modules are supported with the Profile GSD file:

- "AI Flow" module → Analog Input function block 1/output variable: mass flow
- "Totalizer" module → Totalizer function block 1/output variable: totalized mass flow

Name of the PROFIBUS Profile GSD file

	ID No.	Profile GSD file
PROFIBUS DP	9740 (Hex)	PA039740.gsd
PROFIBUS PA	9740 (Hex)	PA039740.gsd

Source

Internet (GSD library of the PROFIBUS User Organization) → www.PROFIBUS.com

7.5.2 Example for selecting the GSD file

Before configuration takes place, a decision should be made as to which GSD file should be used to configure the measuring device in the PROFIBUS master system. The following example describes the use of the t-mass 65 GSD file (complete functionality) for **PROFIBUS PA**:

Select the t-mass 65 GSD file in the measuring device by means of the SELECTION GSD function.

COMMUNICATION → SELECTION GSD → Select: MANUFACT. SPEC.

1. Before configuring the network, load the t-mass 65 GSD file into the configuration system/master system.



Note!

When installing the GSD file, always first use the GSD file with the extended format (EH3x1545.gsd). However, if the installation or the configuration of the device fails with this format, then use the standard GSD (EH3_1545.gsd).

Example for the configuration software Siemens STEP 7 of the Siemens PLC family S7-300/400:

Use the t-mass 65 GSD file with the extended format (EH3x1545.gsd).

Copy the file to the subdirectory ...\\siemens \\step7 \\s7data \\gsd.

The bitmap files also belong to the GSD files. These bitmap files are used to display the measuring points in image form. The bitmap files must be saved to the directory "...\\siemens \\step7 \\s7data \\nsbmp".

If you are using another configuration software, ask your PROFIBUS master system manufacturer which directory you should use.

2. t-mass 65 is a modular PROFIBUS slave, i.e. the desired module configuration (input and output data) must be performed in the next step for t-mass 65. This can be done directly by means of the configuration software.
A detailed description of the modules supported by the measuring device can be found on → 66.

7.5.3 Maximum number of writes

If a non-volatile device parameter is modified via the cyclic or acyclic data transmission, this change is saved in the EEPROM of the measuring device. The number of writes to the EEPROM is technically restricted to a maximum of 1 million. Attention must be paid to this limit since, if exceeded, it results in data loss and measuring device failure. For this reason, avoid constantly writing non-volatile device parameters via the PROFIBUS!

7.6 PROFIBUS DP cyclic data transmission

Below is a description of the cyclic data transmission when using the t-mass GSD file (complete device functionality).

7.6.1 Block model

The block model illustrated shows which input and output data the measuring device provides for cyclic data transmission via PROFIBUS DP.

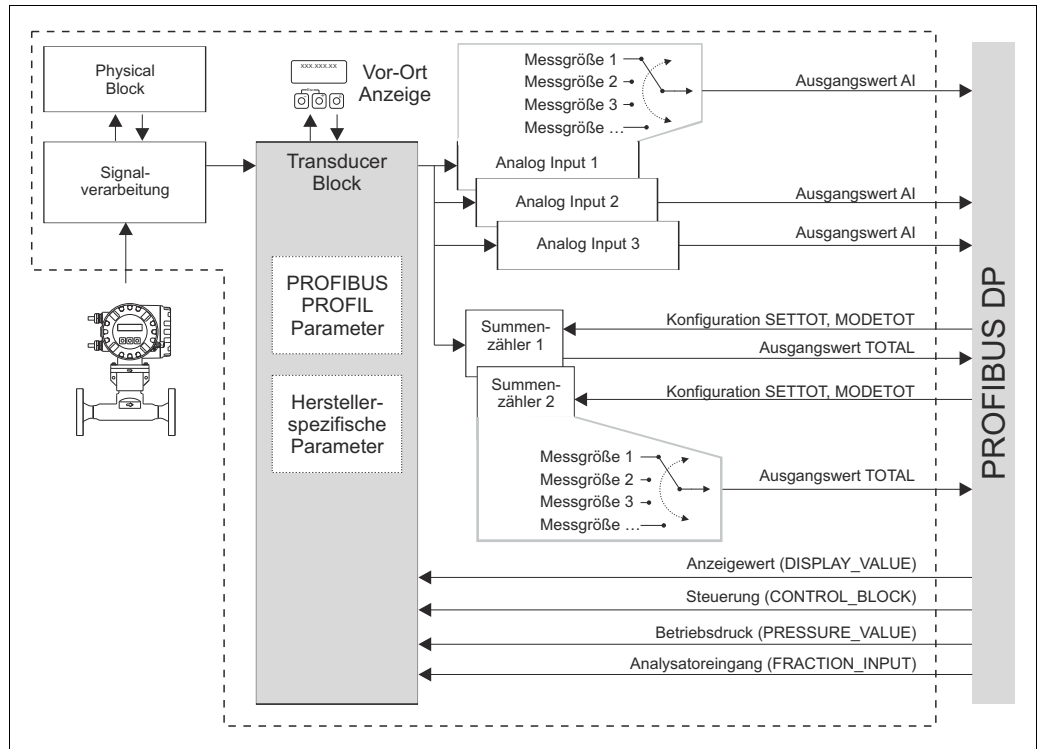


Fig. 38: Block model for t-mass PROFIBUS DP Profile 3.0

a0005482-en

7.6.2 Modules for cyclic data transmission

The measuring device is a so-called modular PROFIBUS slave. In contrast to a compact slave, the structure of a modular slave is variable - it consists of several individual modules. In the GSD file, the individual modules (input and output data) are described with their individual properties. The modules are permanently assigned to the slots, i.e. the sequence or arrangement of the modules must be observed when configuring the modules (see following table). Gaps between configured modules have to be assigned the EMPTY_MODULE module.

To optimize the data throughput rate of the PROFIBUS network, it is recommended to only configure modules that are processed in the PROFIBUS master system.

It is essential to adhere to the following sequence/assignment when configuring the modules in the PROFIBUS master system:

Slot sequence	Module	Description
1	AI	Analog Input function block 1 Output variable → Mass flow (factory setting)
2	AI	Analog Input function block 2 Output variable → Corrected volume flow (factory setting)
3	AI	Analog Input function block 3 Output variable → Temperature (factory setting)
4	TOTAL or SETTOT_TOTAL or SETTOT_MODETOT_TOTAL	Totalizer function block 1 TOTAL → output variable = totalized mass flow (factory setting) SETTOT → totalizer control MODETOT → totalizer configuration
5	TOTAL or SETTOT_TOTAL or SETTOT_MODETOT_TOTAL	Totalizer function block 2 TOTAL → output variable = totalized mass flow (factory setting) SETTOT → totalizer control MODETOT → totalizer configuration
6	DISPLAY_VALUE	Value for local display
7	CONTROL_BLOCK	Control of device functions
8	PRESSURE_VALUE	Process pressure
9	FRACTION_INPUT	Analyzer input



Note!

- The assignment of the measured variables for the Analog Input function blocks (1 to 3) and the totalizer function blocks (1 to 2) can be changed by means of the CHANNEL function.


A detailed description of the individual modules is contained in the following section.

- The measuring device has to be reset once a new configuration has been loaded to the automation system. This can be effected as follows:
 - By means of the local display
 - By means of an operating program (e.g. FieldCare)
 - By switching the supply voltage off and on again.

7.6.3 Description of the modules

AI (Analog Input) module

The AI module (slots 1 to 3) cyclically transmits the corresponding measured variable, including the status, to the PROFIBUS Master (class 1). The measured variable is represented in the first four bytes in the form of floating point numbers in accordance with the IEEE 754 standard. The fifth byte contains standardized status information corresponding to the measured variable.

Further information on the device status →  93.

Input data

Byte 1	Byte 2	Byte 3	Byte 4	Byte 5
measured variable (IEEE 754 floating point number)				Status

Assignment of the measured variables to the AI module

The AI module can transmit different measured variables to the PROFIBUS Master (class 1).

The measured variables are assigned to the Analog Input function blocks 1 to 3 by means of the local display or with the aid of an operating program (e.g. FieldCare) in the CHANNEL function:

- COMMUNICATION → BLOCK SELECTION: Selection of an Analog Input function block
- COMMUNICATION → CHANNEL: Selection of a measured variable


Possible settings

Measured variable	ID for CHANNEL function
MASS FLOW	277
CORR. VOLUME FLOW	398
TEMPERATURE	285

Factory setting

Module	Analog Input function block	Measured variable	ID for CHANNEL function
AI (slot 1)	1	MASS FLOW	277
AI (slot 2)	2	CORR. VOLUME FLOW	398
AI (slot 3)	3	TEMPERATURE	285

TOTAL module

The measuring device has three totalizer function blocks. The totalizer values can be cyclically transmitted to the PROFIBUS Master (class 1) via the TOTAL module (slots 4 to 5). The totalizer value is represented in the first four bytes in the form of a floating point number in accordance with the IEEE 754 standard. The fifth byte contains standardized status information corresponding to the totalizer value. Further information on the device status →  93.

Input data

Byte 1	Byte 2	Byte 3	Byte 4	Byte 5
Totalizer value (IEEE 754 floating point number)				Status

Assignment of the measured variables to the TOTAL module

The TOTAL module can transmit different totalizer variables to the PROFIBUS Master (class 1).

The measured variables are assigned to the totalizer function blocks 1 to 2 by means of the local display or with the aid of an operating program (e.g. FieldCare) in the CHANNEL function:

- TOTALIZER → SELECT TOTALIZER: Selection of a totalizer
- COMMUNICATION → CHANNEL: Selection of a measured variable

Possible settings

Totalizer value/measured variable	ID for CHANNEL function
MASS FLOW	277
CORR. VOLUME FLOW	398
OFF	0

Factory setting

Module	Totalizer function block	Totalizer value/ Measured variable	ID for CHANNEL function
TOTAL (slot 4)	1	MASS FLOW	277
TOTAL (slot 5)	2	MASS FLOW	277

SETTOT_TOTAL module

The module combination SETTOT_TOTAL (slots 4 to 5) consists of the functions SETTOT and TOTAL. With this module combination:

- The totalizer can be controlled via the PROFIBUS Master (SETTOT).
- The totalizer value, is transmitted, including the status (TOTAL).

SETTOT function

In the SETTOT function, the totalizer can be controlled via control variables.

The following control variables are supported:

- 0 = Totalize (factory setting)
- 1 = Reset totalizer (the totalizer value is reset to 0)
- 2 = Accept totalizer preset



Note!

After the totalizer value has been reset to 0 or set to the preset value, the totalizing continues automatically. The control variable does not have to be changed to 0 again to restart totalizing.

Stopping totalizing is controlled in the SETTOT_MODETOT_TOTAL module via the MODETOT function. → 69

TOTAL function

For a description of the TOTAL function, refer to TOTAL module → 67

Data structure of the SETTOT_TOTAL module combination

Output data	Input data				
SETTOT	TOTAL				
Byte 1	Byte 1	Byte 2	Byte 3	Byte 4	Byte 5
Control	Totalizer value (IEEE 754 floating point number)				Status

SETTOT_MODETOT_TOTAL module

The module combination SETTOT_MODETOT_TOTAL (slots 4 to 5) consists of the functions SETTOT, MODETOT and TOTAL.

With this module combination:

- The totalizer can be controlled via the PROFIBUS Master (SETTOT).
- The totalizer can be configured via the PROFIBUS Master (MODETOT).
- The totalizer value, is transmitted, including the status (TOTAL).

SETTOT function

For a description of the SETTOT function, refer to SETTOT_TOTAL module → 68

MODETOT function

In the MODETOT function, the totalizer can be configured via control variables.

The following settings are possible:

- 0 = Balance (factory setting), calculates the positive and negative flow portions
- 1 = calculates the positive flow portions
- 2 = calculates the negative flow portions
- 3 = Totalizing is stopped



Note!

The device can't calculate negative flow portions.

TOTAL function

For a description of the TOTAL function, refer to TOTAL module → 67

Data structure of the SETTOT_MODETOT_TOTAL module combination

Output data		Input data				
SETTOT	MODETOT	TOTAL				
Byte 1	Byte 2	Byte 1	Byte 2	Byte 3	Byte 4	Byte 5
Control	Configuration	Totalizer value (IEEE 754 floating point number)				Status

Example of using the SETTOT_MODETOT_TOTAL module

If the SETTOT function is set to 1 (= reset the totalizer), the value for the aggregated total is reset to 0. If the aggregated total of the totalizer should constantly retain the value 0, the MODETOT function must first be set to 3 (= totalizing is stopped) and then the SETTOT function must be set to 1 (= reset the totalizer).

DISPLAY_VALUE module

Any value (IEEE 754 floating point number), including status, can be cyclically transmitted via the PROFIBUS Master (class 1) directly to the local display using the DISPLAY_VALUE module (slot 6). Display value assignment to the main line, additional line or information line can be configured via the local display itself or via an operating program (e.g. FieldCare).

Output data

Byte 1	Byte 2	Byte 3	Byte 4	Byte 5
Display value (IEEE 754 floating point number)				Status

Status

The status is not evaluated by the device.

CONTROL_BLOCK module

By means of the CONTROL_BLOCK module (slot 11), the measuring device is able to process device-specific control variables from the PROFIBUS Master (class 1) in cyclic data transmission (e.g. switching on positive zero return).

Supported control variables of the CONTROL_BLOCK module

The following device-specific control variables can be activated by changing the output byte from 0 → x:

Module	Control variables
CONTROL_BLOCK	0 → 2: Positive zero return ON 0 → 3: Positive zero return OFF 0 → 4: Carrying out the zero point adjustment 0 → 24: Run UNIT TO BUS function

**Note!**

The control (e.g. switching on positive zero return) is executed by cyclic data transmission if the output byte switches from "0" to the bit pattern in question. The output byte must always switch from "0". A switchback to "0" does not have any effect.

Example (change the output byte)

From	→	To	Result
0	→	2	Positive zero return is switched on.
2	→	0	No effect.
0	→	3	Positive zero return is switched off.
3	→	2	No effect.

Output data

Byte 1
Control

PRESSURE_VALUE module

The process pressure value (IEEE 754 floating point number), including status, can be cyclically transmitted via the PROFIBUS Master (class 1) directly to the measuring device using the PRESSURE_VALUE module (slot 8).

The process pressure value is used to compensate for large variations in process pressure, e.g. Ammonid gas applications. The unit pressure selected in the measuring device is used. More details to the PROCESS PRESSURE function are contained in the "Description of Device Functions" manual, BA00114D/06/... .



Caution!

The process pressure is a non-volatile device parameter. A constant overwriting of this non-volatile device parameter via the PROFIBUS is to be avoided → 64.

Output data

Byte 1	Byte 2	Byte 3	Byte 4	Byte 5
Process pressure (IEEE 754 floating point number)				Status



Note!

The status is not evaluated by the device.

FRACTION_INPUT module

The analyzer input value (IEEE 754 floating point number), including status, can be cyclically transmitted via the PROFIBUS Master (class 1) directly to the measuring device using the FRACTION_INPUT module (slot 9).

Gas mixtures are read in from a gas analyzer using the analyzer input value.

More details on the ANALYZER INPUT function are contained in the "Description of Device Functions" manual, BA00114D/06/...



Caution!

The process pressure is a non-volatile device parameter. A constant overwriting of this non-volatile device parameter via the PROFIBUS is to be avoided → 64.

Output data

Byte 1	Byte 2	Byte 3	Byte 4	Byte 5
Analyzer input (IEEE 754 floating point number)				Status



Note!

The status is not evaluated by the device.

EMPTY_MODULE module

The measuring device is a so-called modular PROFIBUS slave. In contrast to a compact slave, the structure of a modular slave is variable - it consists of several individual modules. In the GSD file, the individual modules are described with their individual properties. The modules are permanently assigned to the slots, i.e. the sequence or arrangement of the modules must be observed when configuring the modules. Gaps between configured modules have to be assigned the EMPTY_MODULE module. A more detailed description is provided on → 66.

7.6.4 Configuration examples with Simatic S7 HW-Konfig

Example 1

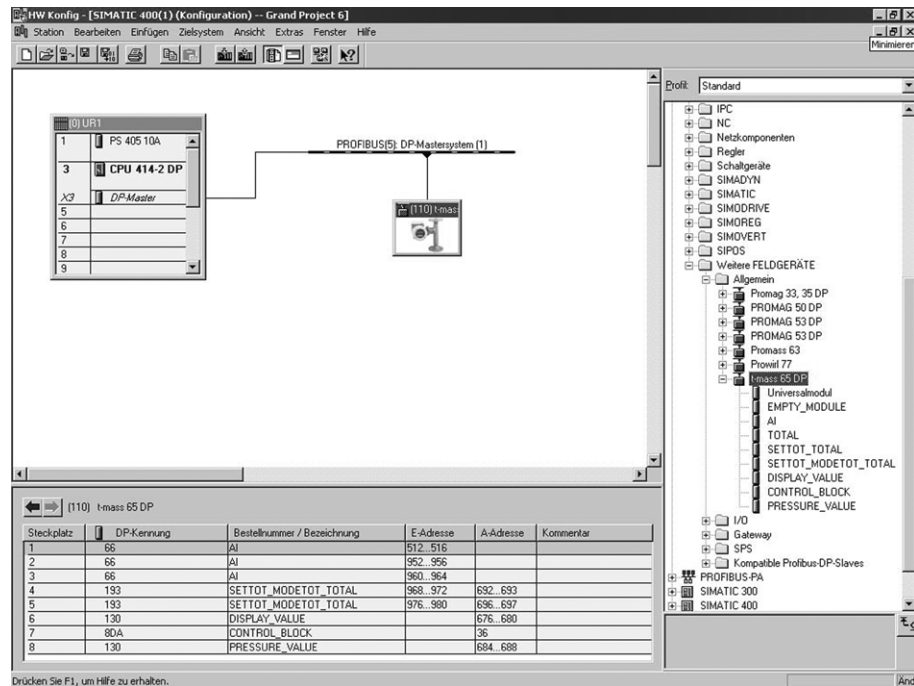


Fig. 39: Complete configuration using the t-mass 65 GSD file

A0005497

It is essential to adhere to the following sequence when configuring the modules in the PROFIBUS Master (class 1):

Slot sequence (Slot)	Module	Byte length input data	Byte length output data	Description
1	AI	5	-	Analog Input function block 1 Output variable → Mass flow (factory setting)
2	AI	5	-	Analog Input function block 1 Output variable → Corrected volume flow (factory setting)
3	AI	5	-	Analog Input function block 1 Output variable → Temperature (factory setting)
4	SETTOT_MODETOT_TOTAL	5	2	Totalizer function block 1 TOTAL → output variable = totalized mass flow (factory setting) SETTOT → totalizer control MODETOT → totalizer configuration
5	SETTOT_MODETOT_TOTAL	5	2	Totalizer function block 2 TOTAL → output variable = totalized mass flow (factory setting) SETTOT → totalizer control MODETOT → totalizer configuration
6	DISPLAY_VALUE	-	5	Value for local display
7	CONTROL_BLOCK	-	1	Control of device functions
8	PRESSURE_VALUE	-	5	Process pressure
9	FRACTION_INPUT	-	5	Analyzer input

Example 2

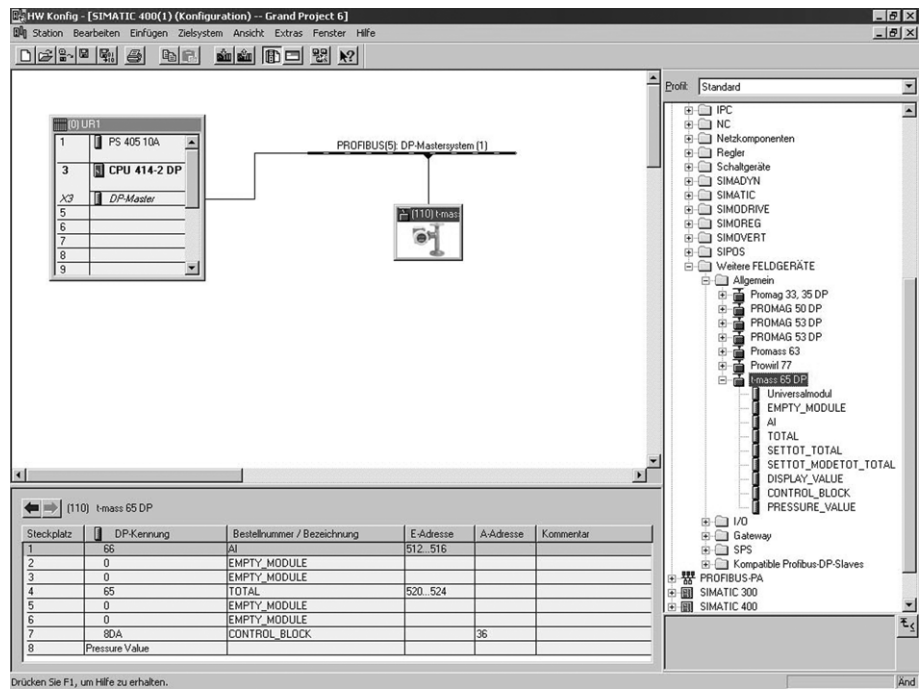


Fig. 40: In this example, modules that are not needed are replaced by the module EMPTY_MODULE. The t-mass 65 GSD file is used.

A0005498

With this configuration, the Analog Input function block 1 (slot 1), the totalizer value TOTAL (slot 4) and the cyclic control of device functions CONTROL_BLOCK (slot 7) are activated.

The mass flow (factory setting) is read out cyclically by the measuring device by means of Analog Input function block 1. The totalizer is configured "without configuration". In other words, in this example it only returns the totalizer value for the mass flow (factory setting) by means of the TOTAL module and cannot be controlled by the PROFIBUS Master (class 1).

Slot sequence (Slot)	Module	Byte length input data	Byte length output data	Description
1	AI	5	-	Analog Input function block 1 Output variable → Mass flow (factory setting)
2	EMPTY_MODULE	-	-	Empty
3	EMPTY_MODULE	-	-	Empty
4	TOTAL	5	-	Totalizer function block 1 TOTAL → output variable = totalized mass flow (factory setting)
5	EMPTY_MODULE	-	-	Empty
6	EMPTY_MODULE	-	-	Empty
7	CONTROL_BLOCK	-	1	Control of device functions

7.7 PROFIBUS PA cyclic data transmission

Below is a description of the cyclic data transmission when using the t-mass GSD file (complete device functionality).

7.7.1 Block model

The block model illustrated shows which input and output data the measuring device provides for cyclic data transmission via PROFIBUS PA.

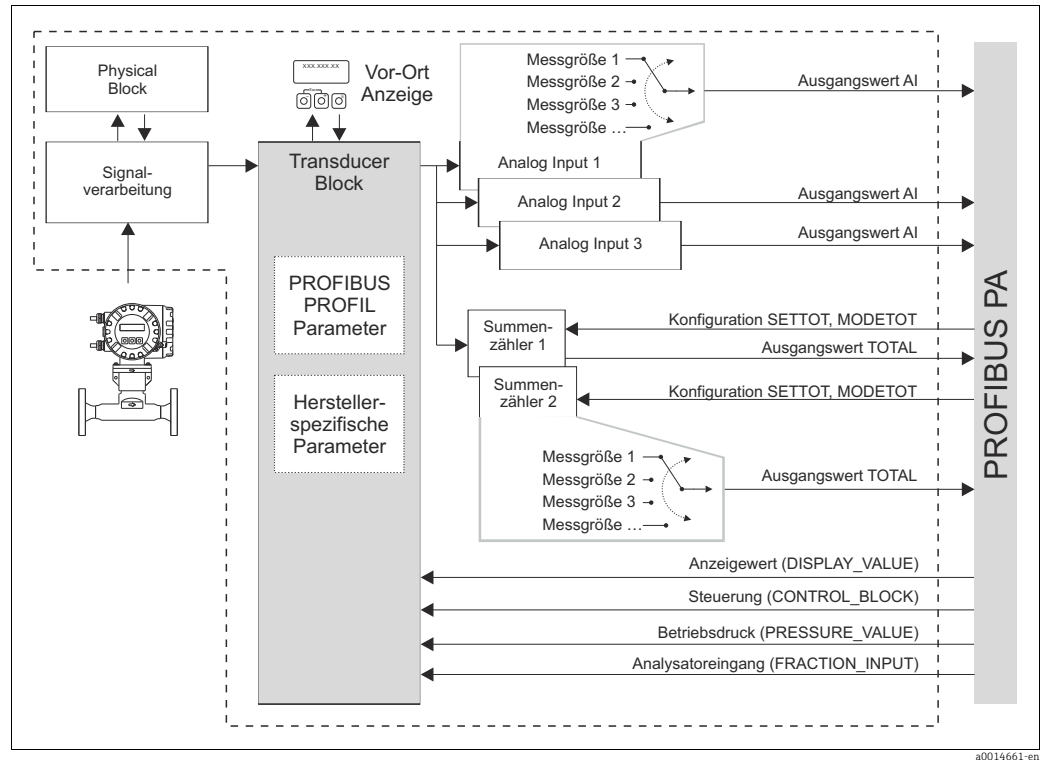


Fig. 41: Block model for t-mass PROFIBUS PA Profile 3.0

7.7.2 Modules for cyclic data transmission

The measuring device is a so-called modular PROFIBUS slave. In contrast to a compact slave, the structure of a modular slave is variable - it consists of several individual modules. In the GSD file, the individual modules (input and output data) are described with their individual properties. The modules are permanently assigned to the slots, i.e. the sequence or arrangement of the modules must be observed when configuring the modules (see following table). Gaps between configured modules have to be assigned the EMPTY_MODULE module.

To optimize the data throughput rate of the PROFIBUS network, it is recommended to only configure modules that are processed in the PROFIBUS master system.

It is essential to adhere to the following sequence/assignment when configuring the modules in the PROFIBUS master system:

Slot sequence	Module	Description
1	AI	Analog Input function block 1 Output variable → Mass flow (factory setting)
2	AI	Analog Input function block 2 Output variable → Corrected volume flow (factory setting)
3	AI	Analog Input function block 3 Output variable → Temperature (factory setting)
4	TOTAL or SETTOT_TOTAL or SETTOT_MODETOT_TOTAL	Totalizer function block 1 TOTAL → output variable = totalized mass flow (factory setting) SETTOT → totalizer control MODETOT → totalizer configuration
5	TOTAL or SETTOT_TOTAL or SETTOT_MODETOT_TOTAL	Totalizer function block 2 TOTAL → output variable = totalized mass flow (factory setting) SETTOT → totalizer control MODETOT → totalizer configuration
6	DISPLAY_VALUE	Value for local display
7	CONTROL_BLOCK	Control of device functions
8	PRESSURE_VALUE	Process pressure
9	FRACTION_INPUT	Analyzer input



Note!

- The assignment of the measured variables for the Analog Input function blocks (1 to 3) and the totalizer function blocks (1 to 2) can be changed by means of the CHANNEL function.


A detailed description of the individual modules is contained in the following section.

- The measuring device has to be reset once a new configuration has been loaded to the automation system. This can be effected as follows:
 - By means of the local display
 - By means of an operating program (e.g. FieldCare)
 - By switching the supply voltage off and on again.

7.7.3 Description of the modules

AI (Analog Input) module

The AI module (slots 1 to 3) cyclically transmits the corresponding measured variable, including the status, to the PROFIBUS Master (class 1). The measured variable is represented in the first four bytes in the form of floating point numbers in accordance with the IEEE 754 standard. The fifth byte contains standardized status information corresponding to the measured variable.

Further information on the device status →  93.

Input data

Byte 1	Byte 2	Byte 3	Byte 4	Byte 5
measured variable (IEEE 754 floating point number)				Status

Assignment of the measured variables to the AI module

The AI module can transmit different measured variables to the PROFIBUS Master (class 1).

The measured variables are assigned to the Analog Input function blocks 1 to 3 by means of the local display or with the aid of an operating program (e.g. FieldCare) in the CHANNEL function:

- COMMUNICATION → BLOCK SELECTION: Selection of an Analog Input function block
- COMMUNICATION → CHANNEL: Selection of a measured variable


Possible settings

Measured variable	ID for CHANNEL function
MASS FLOW	277
CORR. VOLUME FLOW	398
TEMPERATURE	285

Factory setting

Module	Analog Input function block	Measured variable	ID for CHANNEL function
AI (slot 1)	1	MASS FLOW	277
AI (slot 2)	2	CORR. VOLUME FLOW	398
AI (slot 3)	3	TEMPERATURE	285

TOTAL module

The measuring device has three totalizer function blocks. The totalizer values can be cyclically transmitted to the PROFIBUS Master (class 1) via the TOTAL module (slots 4 to 5). The totalizer value is represented in the first four bytes in the form of a floating point number in accordance with the IEEE 754 standard. The fifth byte contains standardized status information corresponding to the totalizer value. Further information on the device status →  93.

Input data

Byte 1	Byte 2	Byte 3	Byte 4	Byte 5
Totalizer value (IEEE 754 floating point number)				Status

Assignment of the measured variables to the TOTAL module

The TOTAL module can transmit different totalizer variables to the PROFIBUS Master (class 1).

The measured variables are assigned to the totalizer function blocks 1 to 2 by means of the local display or with the aid of an operating program (e.g. FieldCare) in the CHANNEL function:

- TOTALIZER → SELECT TOTALIZER: Selection of a totalizer
- COMMUNICATION → CHANNEL: Selection of a measured variable

Possible settings

Totalizer value/measured variable	ID for CHANNEL function
MASS FLOW	277
CORR. VOLUME FLOW	398
OFF	0

Factory setting

Module	Totalizer function block	Totalizer value/ Measured variable	ID for CHANNEL function
TOTAL (slot 4)	1	MASS FLOW	277
TOTAL (slot 5)	2	MASS FLOW	277

SETTOT_TOTAL module

The module combination SETTOT_TOTAL (slots 4 to 5) consists of the functions SETTOT and TOTAL. With this module combination:

- The totalizer can be controlled via the PROFIBUS Master (SETTOT).
- The totalizer value, is transmitted, including the status (TOTAL).

SETTOT function

In the SETTOT function, the totalizer can be controlled via control variables.

The following control variables are supported:

- 0 = Totalize (factory setting)
- 1 = Reset totalizer (the totalizer value is reset to 0)
- 2 = Accept totalizer preset



Note!

After the totalizer value has been reset to 0 or set to the preset value, the totalizing continues automatically. The control variable does not have to be changed to 0 again to restart totalizing.

Stopping totalizing is controlled in the SETTOT_MODETOT_TOTAL module via the MODETOT function. → 69

TOTAL function

For a description of the TOTAL function, refer to TOTAL module → 67

Data structure of the SETTOT_TOTAL module combination

Output data	Input data				
SETTOT	TOTAL				
Byte 1	Byte 1	Byte 2	Byte 3	Byte 4	Byte 5
Control	Totalizer value (IEEE 754 floating point number)				Status


SETTOT_MODETOT_TOTAL module

The module combination SETTOT_MODETOT_TOTAL (slots 4 to 5) consists of the functions SETTOT, MODETOT and TOTAL.

With this module combination:

- The totalizer can be controlled via the PROFIBUS Master (SETTOT).
- The totalizer can be configured via the PROFIBUS Master (MODETOT).
- The totalizer value, is transmitted, including the status (TOTAL).

SETTOT function

For a description of the SETTOT function, refer to SETTOT_TOTAL module →  68

MODETOT function

In the MODETOT function, the totalizer can be configured via control variables.

The following settings are possible:


- 0 = Balance (factory setting), calculates the positive and negative flow portions
- 1 = calculates the positive flow portions
- 2 = calculates the negative flow portions
- 3 = Totalizing is stopped



Note!

The device can't calculate negative flow portions.

TOTAL function

For a description of the TOTAL function, refer to TOTAL module →  67

Data structure of the SETTOT_MODETOT_TOTAL module combination

Output data		Input data				
SETTOT	MODETOT	TOTAL				
Byte 1	Byte 2	Byte 1	Byte 2	Byte 3	Byte 4	Byte 5
Control	Configuration	Totalizer value (IEEE 754 floating point number)				Status

Example of using the SETTOT_MODETOT_TOTAL module

If the SETTOT function is set to 1 (= reset the totalizer), the value for the aggregated total is reset to 0. If the aggregated total of the totalizer should constantly retain the value 0, the MODETOT function must first be set to 3 (= totalizing is stopped) and then the SETTOT function must be set to 1 (= reset the totalizer).

DISPLAY_VALUE module

Any value (IEEE 754 floating point number), including status, can be cyclically transmitted via the PROFIBUS Master (class 1) directly to the local display using the DISPLAY_VALUE module (slot 6). Display value assignment to the main line, additional line or information line can be configured via the local display itself or via an operating program (e.g. FieldCare).

Output data

Byte 1	Byte 2	Byte 3	Byte 4	Byte 5
Display value (IEEE 754 floating point number)				Status

Status

The status is not evaluated by the device.

CONTROL_BLOCK module

By means of the CONTROL_BLOCK module (slot 11), the measuring device is able to process device-specific control variables from the PROFIBUS Master (class 1) in cyclic data transmission (e.g. switching on positive zero return).

Supported control variables of the CONTROL_BLOCK module

The following device-specific control variables can be activated by changing the output byte from 0 → x:

Module	Control variables
CONTROL_BLOCK	0 → 2: Positive zero return ON 0 → 3: Positive zero return OFF 0 → 4: Carrying out the zero point adjustment 0 → 24: Run UNIT TO BUS function



Note!

The control (e.g. switching on positive zero return) is executed by cyclic data transmission if the output byte switches from "0" to the bit pattern in question. The output byte must always switch from "0". A switchback to "0" does not have any effect.

Example (change the output byte)

From	→	To	Result
0	→	2	Positive zero return is switched on.
2	→	0	No effect.
0	→	3	Positive zero return is switched off.
3	→	2	No effect.

Output data

Byte 1
Control

PRESSURE_VALUE module

The process pressure value (IEEE 754 floating point number), including status, can be cyclically transmitted via the PROFIBUS Master (class 1) directly to the measuring device using the PRESSURE_VALUE module (slot 8).

The process pressure value is used to compensate for large variations in process pressure, e.g. Ammonid gas applications. The unit pressure selected in the measuring device is used. More details to the PROCESS PRESSURE function are contained in the "Description of Device Functions" manual, BA00114D/06/...



Caution!

The process pressure is a non-volatile device parameter. A constant overwriting of this non-volatile device parameter via the PROFIBUS is to be avoided → 64.

Output data

Byte 1	Byte 2	Byte 3	Byte 4	Byte 5
Process pressure (IEEE 754 floating point number)				Status



Note!

The status is not evaluated by the device.

FRACTION_INPUT module

The analyzer input value (IEEE 754 floating point number), including status, can be cyclically transmitted via the PROFIBUS Master (class 1) directly to the measuring device using the FRACTION_INPUT module (slot 9).

Gas mixtures are read in from a gas analyzer using the analyzer input value.

More details on the ANALYZER INPUT function are contained in the "Description of Device Functions" manual, BA00114D/06/...



Caution!

The process pressure is a non-volatile device parameter. A constant overwriting of this non-volatile device parameter via the PROFIBUS is to be avoided → 64.

Output data

Byte 1	Byte 2	Byte 3	Byte 4	Byte 5
Analyzer input (IEEE 754 floating point number)				Status



Note!

The status is not evaluated by the device.

EMPTY_MODULE module

The measuring device is a so-called modular PROFIBUS slave. In contrast to a compact slave, the structure of a modular slave is variable - it consists of several individual modules. In the GSD file, the individual modules are described with their individual properties. The modules are permanently assigned to the slots, i.e. the sequence or arrangement of the modules must be observed when configuring the modules. Gaps between configured modules have to be assigned the EMPTY_MODULE module. A more detailed description is provided on → 66.

7.7.4 Configuration examples with Simatic S7 HW-Konfig

Example 1

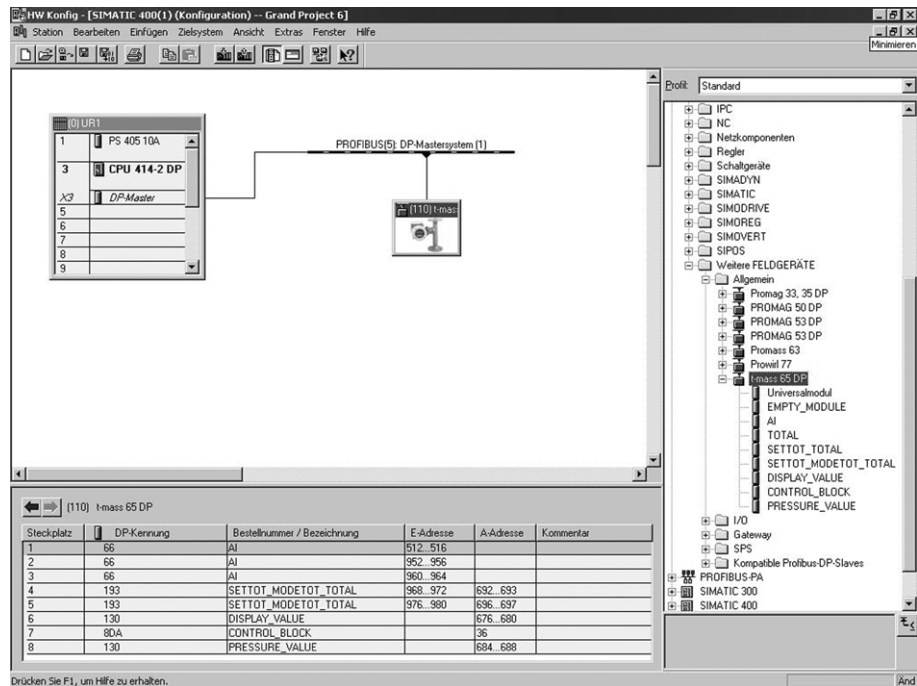


Fig. 42: Complete configuration using the t-mass 65 GSD file

A0005497

It is essential to adhere to the following sequence when configuring the modules in the PROFIBUS Master (class 1):

Slot sequence (Slot)	Module	Byte length input data	Byte length output data	Description
1	AI	5	-	Analog Input function block 1 Output variable → Mass flow (factory setting)
2	AI	5	-	Analog Input function block 1 Output variable → Corrected volume flow (factory setting)
3	AI	5	-	Analog Input function block 1 Output variable → Temperature (factory setting)
4	SETTOT _MODETOT _TOTAL	5	2	Totalizer function block 1 TOTAL → output variable = totalized mass flow (factory setting) SETTOT → totalizer control MODETOT → totalizer configuration
5	SETTOT _MODETOT _TOTAL	5	2	Totalizer function block 2 TOTAL → output variable = totalized mass flow (factory setting) SETTOT → totalizer control MODETOT → totalizer configuration
6	DISPLAY_VALUE	-	5	Value for local display
7	CONTROL_BLOCK	-	1	Control of device functions
8	PRESSURE_VALUE	-	5	Process pressure
9	FRACTION_INPUT	-	5	Analyzer input

Example 2

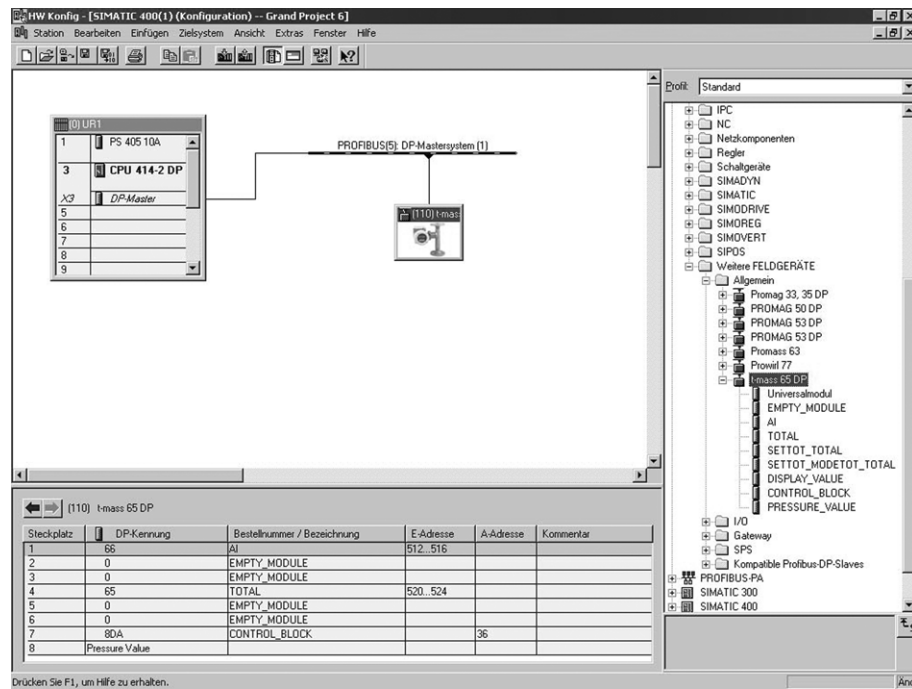


Fig. 43: In this example, modules that are not needed are replaced by the module EMPTY_MODULE. The t-mass 65 GSD file is used.

A0005498

With this configuration, the Analog Input function block 1 (slot 1), the totalizer value TOTAL (slot 4) and the cyclic control of device functions CONTROL_BLOCK (slot 7) are activated.

The mass flow (factory setting) is read out cyclically by the measuring device by means of Analog Input function block 1. The totalizer is configured "without configuration". In other words, in this example it only returns the totalizer value for the mass flow (factory setting) by means of the TOTAL module and cannot be controlled by the PROFIBUS Master (class 1).

Slot sequence (Slot)	Module	Byte length input data	Byte length output data	Description
1	AI	5	-	Analog Input function block 1 Output variable → Mass flow (factory setting)
2	EMPTY_MODULE	-	-	Empty
3	EMPTY_MODULE	-	-	Empty
4	TOTAL	5	-	Totalizer function block 1 TOTAL → output variable = totalized mass flow (factory setting)
5	EMPTY_MODULE	-	-	Empty
6	EMPTY_MODULE	-	-	Empty
7	CONTROL_BLOCK	-	1	Control of device functions


7.8 PROFIBUS DP/PA acyclic data transmission

Acyclic data transmission is used to transmit parameters during commissioning or maintenance, or to display additional measured variables that are not included in data transmission. Thus parameters for identification, control or adjustment in the various blocks (physical block, transducer block, function block) can be changed while the measuring device is in the process of data transmission with a PLC.

The measuring device supports the two basic types of acyclic data transmission:

- MS2AC communication with 2 available SAP's
- MS1AC communication

7.8.1 Master class 2 acyclic (MS2AC)

MS2AC is acyclic data transmission between a field device and a master (class 2), e.g. Field-Care, Siemens PDM etc. →  42. During this process, the master opens a communication channel via an SAP (Service Access Point) to access the device.

All parameters to be exchanged with a device via PROFIBUS must be made known to a Class 2 master. This assignment to each individual parameter takes place either in a device description (DD), a DTM (Device Type Manager), or inside a software component in the master via slot and index addressing.

When using MS2AC communication, note the following:

- As described above, a Master (class 2) accesses a device via special SAP's. Therefore, the number of Master (class 2) that can communicate with a device simultaneously is limited to the number of SAPs available for this data transmission.
- The use of a Master (class 2) increases the cycle time of the bus system. This must be taken into account when programming the control system used.

7.8.2 Master class 1 acyclic (MS1AC)

In MS1AC, a cyclic master, that is already reading the cyclic data from the device or writing to the device opens the communication channel via the SAP 0x33 (special Service Access Point for MS1AC) and can then read or write a parameter acyclically like a Class 2 master via the slot and the index (if supported).

When using MS1AC communication, note the following:

- Currently, few PROFIBUS masters on the market support this data transmission.
- MS1AC is not supported by all PROFIBUS devices.
- In the user program, note that constant writing of parameters (for example, at every cycle of the program) can drastically reduce the service life of a device. Acyclically written parameters are written to voltage-resistant memory modules (EEPROM, Flash etc.). These memory modules are designed for a limited number of write operations. In normal operation without MS1AC (during parameter configuration), the number of write operations does not even come close to this number. If programming is incorrect, this maximum number can be reached quickly, drastically reducing a device's service life.




Note!

The memory module of the measuring device is designed for one million write operations.

7.9 Adjustment

7.9.1 Zero point adjustment

Calibration takes place under reference operating conditions. (→  113).

Consequently, the zero point adjustment is generally **not** necessary!

At zero flow conditions, the output of most thermal mass flow devices has a strong dependency on the process pressure. The effect on the true zero point of the device, by the static line pressure, is dependant on the gas type and the application demands and in many cases the use of the low flow cut-off function is adequate to zero the device output.

With some gases and/or a combination of high pressures, zero point adjustment must be performed under process conditions so that the measuring device can measure smaller values.

Therefore, the zero point adjustment is advisable in the following special cases:

- To achieve highest measuring accuracy with very small flow rates.
- Under process or operating conditions where the gas properties (heat capacity and thermal conductivity) will change e.g. Hydrogen and Helium.

Preconditions for a zero point adjustment

Note the following before you perform a zero point adjustment:

- A zero point adjustment can be performed only with gases that contain no solid contents or condensate.
- The adjustment is performed with the process gas at zero flow and at operating pressure. This can be achieved, for example, with shutoff valves upstream and/or downstream of the sensor or by using existing valves and gates.
 - Normal operation → valves 1 and 2 open
 - Zero point adjustment *with* pump pressure → Valve 1 open / valve 2 closed
 - Zero point adjustment *without* pump pressure → Valve 1 closed / valve 2 open

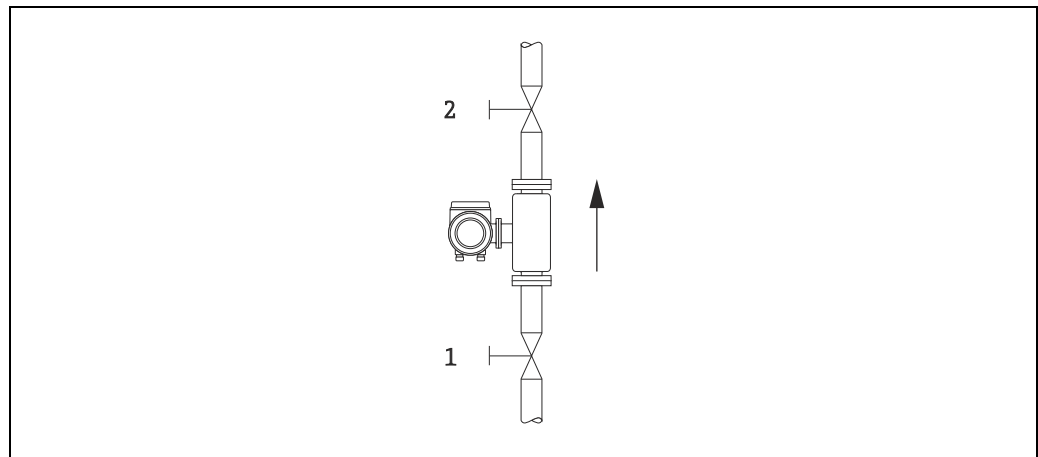


Fig. 44: Zero point adjustment and shut-off valves




Caution!

You can view the currently valid zero point value using the ZERO POINT function in the SENSOR DATA group (see the "Description of Device Functions" manual, BA000114D/06/...).

Performing a zero point adjustment

1. Operate the system until operating conditions have settled.
2. Stop the flow ($v = 0$ m/s).
3. Check the shut-off valves for leaks.
4. Check that operating pressure is correct.
5. Using the local display/operating program, select the ZEROPOINT ADJUSTMENT function in the function matrix:
PROCESS PARAMETER → ZEROPOINT ADJUSTMENT
6. When you press $\left[\text{+} \right]$ or $\left[\text{-} \right]$ you are automatically prompted to enter the access code if the function matrix is still disabled. Enter the code (factory setting = 65).
7. Use $\left[\text{+} \right]$ or $\left[\text{-} \right]$ to select START and press $\left[\text{E} \right]$ to confirm. The zero point adjustment now starts and is completed within a few seconds.

 Note!

If the flow in the pipe is unstable, the following error message may appear on the display "ZERO ADJUST FAIL". The zero point adjustment has failed. The preconditions need to be stabilised before attempting a new adjustment.

8. Back to the HOME position:
 - Press and hold down Esc key ($\left[\text{Esc} \right]$) for longer than three seconds or
 - Repeatedly press and release the Esc key ($\left[\text{Esc} \right]$).

Resetting a zero point adjustment

The currently stored zero point can be reset to the original factory value by using the RESET option within ZERO POINT ADJUST.

Use $\left[\text{+} \right]$ or $\left[\text{-} \right]$ to select RESET and press $\left[\text{E} \right]$ to confirm. The zero point adjustment is now reset.

7.10 Data storage device (HistoROM)


At Endress+Hauser, the term HistoROM refers to various types of data storage modules on which process and measuring device data are stored. By plugging and unplugging such modules, device configurations can be duplicated onto other measuring devices to cite just one example.

7.10.1 HistoROM/S-DAT (sensor-DAT)

The HistoROM/S-DAT is an exchangeable data storage device in which all sensor relevant parameters are stored, i.e., pipe type, diameter, serial number, flow conditioner, zero point.

7.10.2 HistoROM/T-DAT (transmitter-DAT)

The HistoROM/T-DAT is an exchangeable data storage device in which all transmitter parameters and settings are stored.

Storing of specific parameter settings from the EEPROM to the HistoROM/T-DAT and vice versa has to be carried out by the user (= manual save function). For detailed information →  59.

7.10.3 Gas compensation input

The flowmeter can read the composition of the gas from the gas analyzer and automatically update the first two gas components (e.g. GAS TYPE 1 and 2) in the programmed gas mixture. This provides a more accurate measurement in case of varying compositions. For example: varying methane and carbon dioxide components in a biogas application.

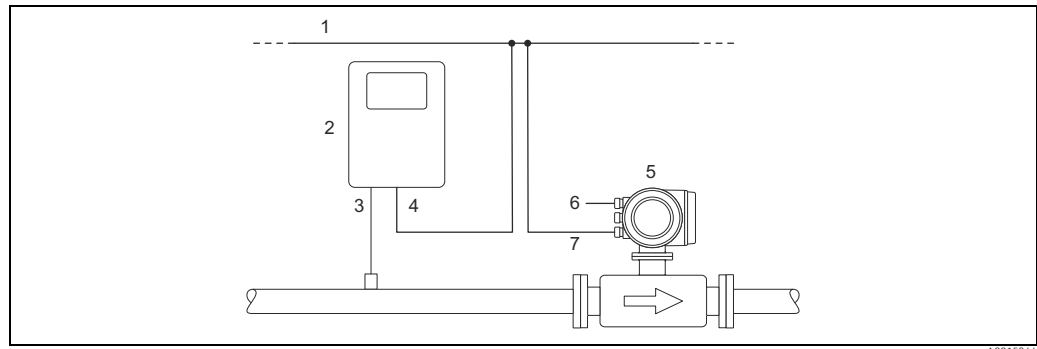


Fig. 45: Gas mixture compensation using a gas analyzer

- | | |
|---|---------------------|
| 1 | Fieldbus |
| 2 | Gas analyzer |
| 3 | Gas detector |
| 4 | Gas analyzer output |
| 5 | t-mass |
| 6 | Power supply |
| 7 | Input/output |

7.10.4 Performing the Quick Setup

1. GAS GROUP

- Use the \uparrow or \downarrow key to select the required GAS GROUP and continue with E .
- Set the ANALYZER INPUT to ON if a gas compensation input is being used (see BA00114D/06 "Description of Device Functions").
- Select the NUMBER OF GASES in the group from 1 to 8.
- Select the GAS TYPE from the choose list.
- Enter the "MOLE %" value for each GAS TYPE.

The error message CHECK VALUES appears if the total mixture % does not equal 100% → Go back and check the mixture settings.

2. SAVE CHANGES?

- Select YES to save the settings in GAS GROUP 1 or 2 and activate the last gas group selected. Press E to continue or
- Select CANCEL to save the entered settings in buffer memory but not activate them for measurement. If this function is selected, then it will be necessary to come back to this gas group and save it at a later stage.
- Select DISCARD to clear the last changes and return to CONFIGURE GROUP to make new settings.
- Exit the function using ESC (press ESC keys simultaneously)

3. ANOTHER GAS GROUP?

- Select YES to continue to the CONFIGURE GROUP function. Use the \uparrow or \downarrow key to select the desired GAS GROUP and proceed as per the above instructions.
- Select NO to exit to the Quick Setup.

Check or note the following points:

- Check that the function GAS → ANALYZER INPUT is set to ON (function group GAS → 53).
- Check the actual % value of the main gas component being transmitted from the analyzer: Go to the function MOLE % GAS 1 in the function group PROCESS PARAMETER.
- A gas group must contain at least 2 gas types (e.g. methane 60%, carbon dioxide 40%).
- By default, the first gas fraction is then updated continuously by the gas chromatograph and the content of the other gases is calculated dynamically

If the value is present and updating then the system is working correctly.

**Note!**


More detailed information on the GAS GROUP programming can be found in the separate "Description of Device Functions" manual (BA00114D/06/... see chapter GAS).

8 Maintenance

Generally, the flowmeter requires no special maintenance work, particularly if the gas is clean and dry.



Warning!

Hazardous area approvals may demand that the device be returned to an Endress+Hauser sales center (→  109) for service or that work can only be carried out by a qualified Endress+Hauser service person. Please contact your Endress+Hauser sales center if you have any questions.

8.1 External cleaning

When cleaning the exterior of measuring devices, always use cleaning agents that do not attack the surface of the housing and the seals.

8.2 Pipe cleaning

The sensor is capable of withstanding clean in place (CIP) processes using heated liquids or steam (SIP), within the maximum specified temperature limits. However the sensor measurement will be adversely affected during the cleaning cycle and a settling down period will be required after the cycle to allow the process and sensor temperatures to re-stabilize.



Note!

The POSITIVE ZERO RETURN function maybe activated to set the current output to zero flow during such cycles. See "Description of Device Functions" manual for more information.



Caution!

Do not use a pipe cleaning pig.

8.3 Sensor cleaning

For gases that do carry impurities, it is recommended that the sensor be routinely inspected and cleaned to minimise any potential measuring errors due to contamination or build-ups. The frequency of inspection and cleaning will depend upon the application and expected measurement performance.

Cleaning is performed by applying a non-filming or oil-free type cleaning fluid to a soft brush or cloth and gently wiping over the surface until all build-ups and contaminants are removed.



Caution!


- Use care not to bend the sensing elements of the transducer during cleaning.
- Do not use abrasive materials or fluids corrosive to the sensor materials and seals.

Sensor-specific information:

- t-mass F:

Removal of the transducer requires specialist knowledge, tools and parts. The process seal also may need to be tested and re-qualified. This procedure must be carried out by an Endress+Hauser sales center.

- t-mass I:

When removing the measuring sensor, observe the safety guidelines in chapter "Installation" →  19.


8.4 Replacing seals

Under normal circumstances, fluid wetted seals of the sensor do not require replacement. Replacement is necessary only in special circumstances, for example if aggressive or corrosive fluids are incompatible with the seal material.

Only Endress+Hauser seals may be used.

Sensor-specific information:

- t-mass F:

The sensor contains o-rings seals and a bushing. In case of failure, the device must be returned to an Endress+Hauser sales center for inspection and repair (→  109).

- t-mass I:

The transducer is welded to the insertion tube and has no exchangeable seals. The compression fitting contains wetted seals (ferrules) and a bonded seal is used on the G 1 A thread version.



Caution!

Do not reuse gaskets after removing sensors.

Use only original parts from Endress+Hauser. The compression fitting and gasket seals are deliverable as spare parts. The seal ring can be replaced easily on site

8.5 In-situ calibration

The t-mass flowmeters are designed to support in-situ calibration using a reference meter signal, thus saving time and cost by reducing the need for factory re-calibration.

Pre-requirements for in-situ calibration with adjustment:

1. Stable gas composition (operation with one gas group only; without gas analyzer input)
2. Stable pressure and temperature (without pressure compensation input)
3. Mass flow reference
 - a. mass flow reference meter, mounted in the measurement or bypass pipe, providing a mA signal to t-mass or
 - b. manual entry of known mass flow reference values. For example, the display value from the reference meter or a derived value from a pump curve)
4. Ability to control the flow range over a minimum of 5 control points

This function is activated using the service access code.

For specific applications, contact your Endress+Hauser sales center.

8.6 Recalibration

For thermal meters, the interval between calibrations is dependent on the application since calibration drift is predominantly caused by contamination of the sensor surface.

If the gas is not clean (i.e. contains particulates), then gentle cleaning of the sensor elements can be effective at regular intervals. The cleaning interval will depend upon the nature and extent of the contamination.

Determination of recalibration intervals:

- If the measurement is critical, then a calibration audit should be undertaken by performing recalibration checks once per year for a period of 2 years. Increase that period to twice per year if the application gas is not clean and dry. Depending on the results of the audit, the next recalibration check interval can be increased or decreased accordingly.
- For non-critical applications and or where the gas is clean and dry, a recalibration interval of every 2 to 3 years is recommended.

9 Accessories

Various accessories, which can be ordered separately from Endress+Hauser, are available for the transmitter and the sensor. Your Endress +Hauser sales center can provide detailed information on the specific order code.

9.1 Device-specific accessories

Accessories	Description	Order code
Mounting boss	Mounting boss for the t-mass insertion version	DK6MB - *
Cable remote version	Connecting cable for the remote version	DK6CA - *
Mounting set for transmitter	Mounting set for remote version. Suitable for: <ul style="list-style-type: none"> - Wall mounting - Pipe mounting - Installation in control panel Mounting set for aluminum field housing: Suitable for pipe mounting (¾" to 3")	DK6WM - *
Hot tap, process pressure	Low-pressure version: Mounting kit with process connection, ball valve, safety chain and sensor connection. Insertion or extraction of sensor under process pressure (max. 4.5 barg (65 psig)).	DK6HT-***
	Medium-pressure version: Mounting kit with process connection, ball valve, sensor connection and extractor assembly. Insertion or extraction of sensor under process pressure (max. 16 barg (235 psig)).	
Cold tap, atmospheric pressure	Mounting kit with sensor connection, ball valve and weld socket. Insertion or extraction of sensor in unpressurized pipes (ambient pressure). In the absence of a measuring device, the mounting kit enables pipe resealing in order to resume the process.	DK6ML-***
Flow conditioner	<ul style="list-style-type: none"> ■ t-mass F: DN25 to 100 (1 to 4") ■ t-mass I: DN 80 to 300 (3 to 12") 	DK6ST-*** DK7ST-***
Graphic data manager Memograph M	The graphic data manager Memograph M provides information on all the relevant process variables. Measured values are recorded correctly, limit values are monitored and measuring points analyzed. The data are stored in the 256 MB internal memory and also on an SD card or USB stick. The mathematics channels which are optionally available facilitate continuous monitoring, e.g. of specific energy consumption, boiler efficiency and other parameters which are necessary for efficient energy management.	RSG40 - *****

9.2 Service-specific accessories

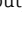

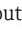

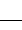
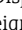
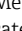
Accessory	Description	Order code
Applicator	Software for selecting and sizing Endress+Hauser measuring devices: <ul style="list-style-type: none"> ■ Calculation of all the necessary data for identifying the optimum flowmeter: e.g. nominal diameter, pressure loss, accuracy or process connections ■ Graphic illustration of the calculation results Administration, documentation and access to all project-related data and parameters over the entire life cycle of a project. Applicator is available: <ul style="list-style-type: none"> ■ Via the Internet: https://wapps.endress.com/applicator ■ On CD-ROM for local PC installation. 	DKA80 - *

Accessory	Description	Order code
Fieldcheck	Tester/simulator for testing flowmeters in the field. When used in conjunction with the "FieldCare" software package, test results can be imported into a database, printed and used for official certification. Further information is available from your Endress+Hauser sales center.	50098801
FieldCare	FieldCare is Endress+Hauser's FDT based Plant Asset Management Tool. It can configure all intelligent field devices in your plant and supports you in managing them. By using status information, it also provides a simple but effective means of checking their health.	Please refer to the product page of the Endress+Hauser Internet page: www.endress.com
FXA193	The FXA193 service interface connects the device to the PC for configuration via FieldCare.	FXA193 - *

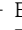

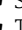
10 Trouble-shooting

10.1 Trouble-shooting instructions

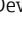
Always start troubleshooting with the following checklist if faults occur after commissioning or during operation. The routine takes you directly to the cause of the problem and the appropriate remedial measures.

Check the display	
No display visible and no output signals present.	<ol style="list-style-type: none"> 1. Check the supply voltage → Terminals 1, 2 2. Check device fuse →  108 85 to 260 V AC: 0.8 A slow-blow / 250 V 20 to 55 V AC and 16 to 62 V DC: 2 A slow-blow / 250 V 3. Measuring electronics defective → order spare parts →  102
No display visible, but output signals are present.	<ol style="list-style-type: none"> 1. Check whether the ribbon-cable connector of the display module is correctly plugged into the amplifier board →  102. 2. Display module defective → order spare parts →  102 3. Measuring electronics defective → order spare parts →  102
Display texts are in a foreign language.	Switch off the power supply. Press and hold down both  keys and switch on the measuring device. The display text will appear in English (default) and is displayed at maximum contrast.
Measured value indicated, but no signal at the current or pulse output	Measuring electronics defective → order spare parts →  102

t

Error messages on display
<p>Errors that occur during commissioning or measuring are displayed immediately. Error messages consist of a variety of icons. The meanings of these icons are as follows (example):</p> <ul style="list-style-type: none"> - Type of error: S = System error, P = Process error - Error message type:  = Fault message, ! = Notice message - FLOW LIMIT = Error designation, e.g. measured flow has exceeded the maximum limit. - 03:00:05 = Duration of error occurrence (in hours, minutes and seconds) - #422 = Error number <p> Caution!</p> <ul style="list-style-type: none"> ■ See the information on →  41. ■ The measuring device interprets simulations and positive zero return as system errors, but displays them as a notice message only.

t

Faulty connection to PROFIBUS Master	
No connection can be made between the PROFIBUS Master and the device. Check the following points:	
Supply voltage Transmitter	Check the Supply voltage → Terminals 1/2
Device fuse	Check device fuse →  102 85 to 260 V AC: 0.8 A slow-blow / 250 V 20 to 55 V AC and 16 to 62 V DC: 2 A slow-blow / 250 V
Fieldbus connection	Check data line: Terminal 26 = B (Rx/D/TxD-P) Terminal 27 = A (Rx/D/TxD-N)

t

Faulty connection to PROFIBUS master (continued)	
Network structure	Check permissible fieldbus length and number of spurs.
Fieldbus address	Check fieldbus address: make sure there are no double assignments.
Bus termination	Has the PROFIBUS network been terminated correctly? Each bus segment must always be terminated with a bus terminator at both ends (start and finish). Otherwise there may be interference in communication.

t

System or process error messages
System or process errors which occur during commissioning or operation can be displayed in ACTUAL SYSTEM CONDITION function via local display or by using an operating program → 42.

t

Other error (without error message)	
Some other error has occurred	Diagnosis and rectification → 100.

10.2 System error messages

Serious system errors are **always** recognized by the flowmeter as "Fault message", and are shown as a lightning flash (⚡) on the display! Fault messages immediately affect the operation. Simulations and positive zero return, on the other hand, are classed and displayed as "Notice messages".



Caution!

In the event of a serious fault, a flowmeter might have to be returned to the manufacturer for repair. Important procedures must be carried out before you return a flowmeter to Endress+Hauser. → 109. Always enclose a duly completed "Declaration of contamination" form. You will find a preprinted blank of this form at the back of this manual.



Note!

Also observe the information on the following pages → 41

10.2.1 Displaying the device status on PROFIBUS DP

Display in the operating program (acyclic data transmission)

The device status can be queried using an operating program (e.g. FieldCare):
Function block SUPERVISION → ACTUAL SYSTEM CONDITION

Display in the PROFIBUS master system (cyclic data transmission)

If the AI or TOTAL modules are configured for cyclic data transmission, the device status is coded in accordance with PROFIBUS Profile Specification 3.0 and transmitted with the variable to the PROFIBUS master by means of the quality byte (byte 5). The quality byte is split into the "quality status", "quality substatus" and "limits" segments.

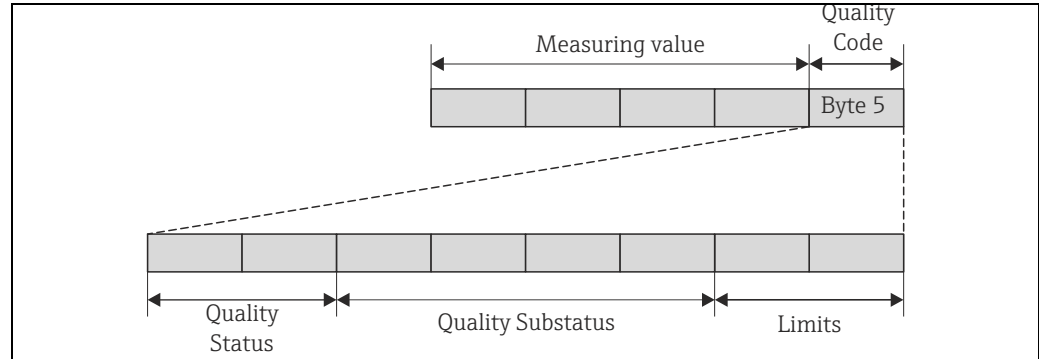


Fig. 46: Structure of the quality byte

The content of the quality byte depends on the failsafe mode error behavior configured in the corresponding Analog Input function block 1 to 3 or totalizer function block 1 to 2. Depending on which failsafe mode has been set in the FAILSAFE_TYPE function, the following status information is transmitted to the PROFIBUS master via the quality byte:

- For the selection FAILSAFE_TYPE → FSAFE VALUE :

Quality code (HEX)	Quality status	Quality substatus	Limits
0x48	UNCERTAIN	Substitute set	OK
0x49			Low
0x4A			High

- For the selection FAILSAFE_TYPE → LAST GOOD VALUE (factory setting):

If a valid output value was available before the failure:

Quality code (HEX)	Quality status	Quality substatus	Limits
0x44	UNCERTAIN	Last usable value	OK
0x45			Low
0x46			High

If no valid output value was available before the failure:

Quality code (HEX)	Quality status	Quality substatus	Limits
0x4C	UNCERTAIN	Initial Value	OK
0x4D			Low
0x4E			High

- For FAILSAFE_TYPE → WRONG VALUE:
For status information, see the table in the following section.




Note!
The FAILSAFE_TYPE function can be configured in the corresponding Analog Input function block 1 to 3 or Totalizer function block 1 to 2 by means of an operating program (e.g. Field-Care).

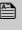

10.2.2 List of system error messages

No.	Device status message (local display)	PROFIBUS measured value status				Extended diagnostic mes- sage in the PRO- FIBUS master	Cause/ Rectification Spare parts → 102
		Quality code (HEX) Measured variable status	Quality status	Quality substatus	Limits		
S = System error ⚡ = Fault message (with an effect on the current operation) ! = Notice message (without any effect on the current operation)							
No. # 0xx → Hardware error							
001	S: CRITICAL FAIL ⚡: # 001	0x0F	BAD	Device Fail- ure	Constant	ROM/RAM failure	<i>Cause:</i> Serious device error <i>Remedy:</i> Replace the amplifier board.
011	S: AMP HW EEPROM ⚡: # 011	0x0F	BAD	Device Fail- ure	Constant	Amplifier EEPROM failure	<i>Cause:</i> Amplifier: Defective EEPROM <i>Remedy:</i> Replace the amplifier board.
012	S: AMP SW EEPROM ⚡: # 012	0x0F	BAD	Device Fail- ure	Constant	Amp. EEPROM data inconsistent	<i>Cause:</i> Measuring amplifier: Error when accessing data of the EEPROM <i>Remedy:</i> Replace the amplifier board.
014	S: AMP SW-ROM/RAM ⚡: # 014	0x0F	BAD	Device Fail- ure	Constant	Amp. ROM/RAM data inconsistent	<i>Cause:</i> Amplifier: Defective ROM/RAM <i>Remedy:</i> Replace the amplifier board.
031	S: SENSOR HW DAT ⚡: # 031	0x10 0x11 0x12	BAD	Sensor fail- ure	O.K. Low High	S-DAT failure / not inserted	<i>Cause:</i> Sensor DAT: 1. HistoROM/S-DAT is defective. 2. HistoROM/S-DAT is not plugged into the amplifier board or is missing. <i>Remedy:</i> 1. Replace the S-DAT. Check the spare parts set number to ensure that the new, replacement DAT is compati- ble with the measuring electronics. 2. Plug the HistoROM/S-DAT into the amplifier board → 103, → 105

No.	Device status message (local display)	PROFIBUS measured value status				Extended diagnostic message in the PROFIBUS master	Cause/ Rectification Spare parts → 102
		Quality code (HEX) Measured variable status	Quality status	Quality substatus	Limits		
032	S: SENSOR SW DAT ⚡: # 032	0x10 0x11 0x12	BAD	Sensor failure	O.K. Low High	S-DAT data inconsistent	<p><i>Cause:</i> Error accessing the calibration values stored in the HistoROM/S-DAT.</p> <p><i>Remedy:</i></p> <ol style="list-style-type: none"> 1. Check whether the HistoROM/S-DAT is correctly plugged into the amplifier board → 103, → 105 2. Replace the HistoROM/S-DAT if it is defective. Before replacing the DAT, check that the new, replacement DAT is compatible with the measuring electronics. Check the: <ul style="list-style-type: none"> - Spare parts set number - Hardware revision code 3. Replace measuring electronics boards if necessary.
035	S: SENS HW-ROM/ RAM ⚡: # 035	0x10 0x11 0x12	BAD	Sensor failure	O.K. Low High	Sensor: Defective ROM/ RAM	<p><i>Cause:</i> Sensor: Defective ROM/RAM</p> <p><i>Remedy:</i> Replace the remote amplifier board.</p>
036	S: SENS SW-ROM/RAM ⚡: # 036	0x10 0x11 0x12	BAD	Sensor failure	O.K. Low High	Sensor: Defective ROM/ RAM	<p><i>Cause:</i> Sensor: Defective ROM/RAM</p> <p><i>Remedy:</i> Replace the amplifier board.</p>
042	S: TRANSM. SW-DAT ⚡: # 042	0x0F	BAD	Device Failure	Constant	T-DAT data inconsistent	<p><i>Cause:</i> Error accessing the calibration values stored in the HistoROM/T-DAT.</p> <p><i>Remedy:</i></p> <ol style="list-style-type: none"> 1. Check whether the HistoROM/T-DAT is correctly plugged into the amplifier board. → 103, → 105 2. Replace the HistoROM/T-DAT if it is defective. → 102, Before replacing the DAT, check that the new, replacement DAT is compatible with the measuring electronics. Check the: <ul style="list-style-type: none"> - Spare parts set number - Hardware revision code 3. Replace measuring electronics boards if necessary.
051	AC COMPATIB. ⚡: # 051	0x0F	BAD	Device Failure	Constant	Compatibility Amp. I/O module	<p><i>Cause:</i> The I/O board and the amplifier board are not compatible.</p> <p><i>Remedy:</i> Use only compatible modules and boards. Check the compatibility of the modules used. Check the: <ul style="list-style-type: none"> - Spare parts set number - Hardware revision code </p>

No.	Device status message (local display)	PROFIBUS measured value status				Limits	Extended diagnostic message in the PROFIBUS master	Cause/ Rectification Spare parts → 102
		Quality code (HEX) Measured variable status	Quality status	Quality substatus				
070	S: SENSOR DEFECT ⚡: # 070	0x13	BAD	Sensor failure	Constant	Sensor failure	<p><i>Cause:</i> Flow sensors are likely to be defect, measurement is no longer possible.</p> <p><i>Remedy:</i> Contact your Endress+Hauser sales center.</p>	
No. # 1xx → Software error								
111	S: CHECKSUM TOTAL ⚡: # 111	0x0F	BAD	Device Failure	Constant	Totalizer checksum error	<p><i>Cause:</i> Totalizer checksum error</p> <p><i>Remedy:</i></p> <ol style="list-style-type: none"> Restart the measuring device Replace the amplifier board if necessary. 	
121	S: A/C SW COMPATI. ⚡: # 121	0x0F	BAD	Device Failure	Constant	Amp- I/O soft only part. comp.	<p><i>Cause:</i> Due to different software versions, I/O board and amplifier board are only partially compatible (possibly restricted functionality).</p> <p> Note!</p> <ul style="list-style-type: none"> This message is only listed in the error history. Nothing is displayed on the display. <p><i>Remedy:</i> Module with lower software version has either to be actualized by FieldCare with the required software version or the module has to be replaced.</p>	
No. # 2xx → Error in DAT/no communication								
205	S: LOAD T-DAT !: # 205	0x0F	BAD	Device Failure	Constant	Save to T-DAT failed	<p><i>Cause:</i> Data backup (downloading) to HistoROM/T-DAT failed, or error when accessing (uploading) the calibration values stored in the HistoROM/T-DAT.</p> <p><i>Remedy:</i></p> <ol style="list-style-type: none"> Check whether the HistoROM/T-DAT is correctly plugged into the amplifier board. 	
206	S: SAVE T-DAT !: # 206	0x0F	BAD	Device Failure	Constant	Restore from T-DAT failed	<ol style="list-style-type: none"> Replace the HistoROM/T-DAT if it is defective. → 102, Before replacing the DAT, check that the new, replacement DAT is compatible with the measuring electronics. Check the: <ul style="list-style-type: none"> Spare parts set number Hardware revision code Replace measuring electronics boards if necessary. → 102 	

No.	Device status message (local display)	PROFIBUS measured value status				Limits	Extended diagnostic message in the PROFIBUS master	Cause/ Rectification Spare parts → 102
		Quality code (HEX) Measured variable status	Quality status	Quality substatus				
211	S: S-DAT NO HW ⚡: # 211	0x0F	BAD	Device Failure	Constant	S-DAT no hardware	<p><i>Cause:</i> HistoROM/S-DAT is not fitted to amplifier board.</p> <p><i>Remedy:</i> Check whether the HistoROM/S-DAT is correctly plugged into the amplifier board → 103</p>	
251	S: COMMUNIC. SENS ⚡: # 251	0x0F	BAD	Device Failure	Constant	Communication sensor failure	<p><i>Cause:</i> Internal microprocessor communication fault on the amplifier board.</p> <p><i>Remedy:</i> Remove the amplifier board.</p>	
261	S: COMMUNICAT. I/O ⚡: # 261	0x18 0x19 0x1A	BAD	No Communication	O.K. Low High	Communication I/O failure	<p><i>Cause:</i> No data reception between amplifier and I/O board or faulty internal data transfer.</p> <p><i>Remedy:</i> Check whether the electronics boards are correctly inserted in their holders → 103</p>	
No. # 3xx → System limits exceeded								
372	S: DIFF. TEMP. LOW ⚡: # 372	0x13	BAD	Sensor failure	Constant	Diff. Temp. is below limit	<p><i>Cause:</i> The measured sensor differential temperature is below limit value.</p> <p><i>Remedy:</i> Reduce the flow rate or consider replacing the instrument with a suitable size for the application if possible.</p>	
381	S: FLUIDTEMP.MIN. !: # 381	0x40 0x41 0x42	UNCERTAIN	O.K.	O.K. Low High	Fluid temperature min.	<p><i>Cause:</i> The minimum fluid temperature limit for the transducer has been exceeded.</p> <p><i>Remedy:</i> Increase the process gas temperature.</p> <p>☞ Caution! Caution! In case of severe temperature exposure, the transducer may be damaged.</p>	
382	S: FLUIDTEMP.MAX. !: # 382	0x40 0x41 0x42	UNCERTAIN	O.K.	O.K. Low High	Fluid temperature max.	<p><i>Cause:</i> The minimum fluid temperature limit for the transducer has been exceeded.</p> <p><i>Remedy:</i> Reduce the process gas temperature.</p> <p>☞ Caution! Caution! In case of severe temperature exposure, the transducer may be damaged.</p>	

No.	Device status message (local display)	PROFIBUS measured value status				Extended diagnostic mes- sage in the PRO- FIBUS master	Cause/ Rectification Spare parts →  102
		Quality code (HEX) Measured variable status	Quality status	Quality substatus	Limits		
No. # 5xx → Application error							
501	S: SW.-UPDATE ACT !: # 501	0x48 0x49 0x4A	UNCERTAIN	Substitute set	O.K. Low High	Software upload active	<i>Cause:</i> New amplifier or communication (I/O module) software version is loaded. Currently no other functions are possible. <i>Remedy:</i> Wait until process is finished. The device will restart automatically.
502	S: UP-/DOWL. ACT. !: # 502	0x48 0x49 0x4A	UNCERTAIN	Substitute set	O.K. Low High	Up-/Download active	<i>Cause:</i> Up- or downloading the device data via configu- ration program. Currently no other functions are possible. <i>Remedy:</i> Wait until process is finished.
No. # 6xx → Simulation mode active							
601	S: POS. ZERO-RET. !: # 601	0x53	UNCERTAIN	Sensor con- version not accurate	Constant	Positive zero return active	<i>Cause:</i> Positive zero return is active.  Note! This message has the highest display priority. <i>Remedy:</i> Switch off positive zero return. <i>Access:</i> SYSTEM PARAMETER → POS. ZERO RETURN (→ OFF)
691	S: SIM. FAILSAFE !: # 691	0x48 0x49 0x4A	UNCERTAIN	Substitute set	O.K. Low High	Simulation fail- safe active	<i>Cause:</i> Simulation of failsafe mode (outputs) is active. <i>Remedy:</i> Switch off simulation. <i>Access:</i> SIMULAT. SYSTEM → FAILSAFE MODE (→ OFF)
692	S: SIM. MEASURAND !: # 692	0x60 0x61 0x62	UNCERTAIN	Simulated Value	O.K. Low High	Simulation measured value active	<i>Cause:</i> Simulation of the measured value is active. <i>Remedy:</i> Switch off simulation. <i>Access:</i> SIMULAT. SYSTEM → SIM. MEASURAND (→ OFF)
698	S: DEV. TEST ACT. !: # 698	0x60 0x61 0x62	UNCERTAIN	Simulated Value	O.K. Low High	Device test via Fieldcheck active	<i>Cause:</i> The measuring device is being checked on site via the test and simulation device.

10.3 Process error messages



Note!

Also observe the information on the following pages: → 41 and → 92

10.3.1 List of process error messages

No.	Device status message (local display)	PROFIBUS measured value status				Extended diagnostic message in the PROFIBUS master	Cause/Rectification
		Quality code (HEX) Measured variable status	Quality status	Quality substatus	Limits		
P = Process error ⚡ = Fault message (with an effect on the current operation) ! = Notice message (without any effect on the current operation)							
422	P: FLOW LIMIT ⚡: # 422	0x13	BAD	Sensor failure	Constant	Meas. flow exceeded max limit	Cause: The measured flow has exceeded the maximum limit. Remedy: Reduce the flow rate or replace the instrument with a suitable size for the application. Note! Error can be configured as a fault or notice message.
731	P: 0 ZERO-ADJ. N. OK. ⚡: # 731	0x13	BAD	Sensor failure	Constant	Zero adjust is not ok	Cause: The saved zero point is inaccurate possibly due to unstable process or flow conditions. Remedy: Stabilize process conditions or relocate the instrument to a more stable measuring location.

10.4 Process errors without messages

Symptoms	Rectification
Note! You may have to change or correct certain settings of the function matrix in order to rectify faults. The functions outlined below, such as DISPLAY DAMPING, for example, are described in detail in the "Description of Device Functions" manual.	
Displayed measured value fluctuates even though flow is steady.	<ol style="list-style-type: none"> Increase value of the TIME CONSTANT setting (CURRENT OUTPUT function group. Increase value of the DISPLAY DAMPING setting →USER INTERFACE function group. The inlet and outlet lengths must be observed. See installation conditions → 15 Consider the use of a flow conditioner. See installation conditions → 16 Relocate the meter to a point where there is less flow disturbance
Device displays flow with no actual flow present.	<ol style="list-style-type: none"> The low flow cut off value is programmed too low. Increase value of the ON VALUE LOW FLOW CUT OFF setting → PROCESS PARAMETERS function group (Factory setting = 1% of 20mA value). Check for leaks in the pipe line downstream of the sensor. Reduce or eliminate pressure pulsations in the line.

Symptoms	Rectification
Device displays flow with no actual flow present - but with high static line pressure and thermally conductive gases present (e.g. Hydrogen, Helium, etc.). Line pressure is typically > 5 bar / 75 psi	<p>Start the ZERO POINT ADJUST function → PROCESS PARAMETERS function group. See Zero Point Adjust function → 84</p> <p> Note! Process preconditions are required before starting this function.</p>
Device displays zero flow but flow is present.	<ol style="list-style-type: none"> The INSTALLATION FACTOR may have a wrong setting = 0 ® PROCESS PARAMETERS function group (factory setting = 1.0). The LOW FLOW CUT OFF setting may be too high. Adjust the function ON VALUE LOW FLOW CUT OFF to a lower value → PROCESS PARAMTERS function group (factory setting 1% of calibrated 20mA value). The ZERO POINT ADJUST function may have been incorrectly carried out with flow present. RESET the zero point adjustment if necessary → PROCESS PARAMETERS function group.
Device displays incorrect flow value.	<ol style="list-style-type: none"> Check the basic parameters of the device → 49 Especially: <ul style="list-style-type: none"> Gas Process pressure Reference pressure and reference temperature Flow units Output assignment Check the installation conditions (Post-installation check → 27) <ol style="list-style-type: none"> The inlet and outlet lengths must be observed → 15. Consider the use of a flow conditioner if the necessary inlet requirements cannot be met → 16. t-mass F: Check for diameter mismatch between the flanges and check the gasket alignment → 13. t-mass I: Check the sensor orientation and insertion depth. → 19. If the measures above cannot rectify the problem, the INSTALLATION FACTOR → PROCESS PARAMETER function group (factory setting = 1.0) must be configured in such a way that the flow rate displayed matches the anticipated flow rate. The flow rate maybe too high (i.e. above sensor calibration range) <ol style="list-style-type: none"> Check the measuring range that the Endress+Hauser Applicator program uses. Check if the inverted plus sign "+" is shown on the display? If yes, reduce the velocity if possible. The flow rate maybe too low <ol style="list-style-type: none"> Check the measuring range that the Endress+Hauser Applicator program uses. Increase the velocity if possible. Check the condition of the transducer <ol style="list-style-type: none"> Are the measuring elements bent? If yes, replacement is necessary. Are build-ups present? If yes, clean the sensors (Sensor cleaning → 88). Has corrosion occurred? If yes, replacement is necessary. Check if the gas is wet? Is condensate present on the sensors? If so: <ol style="list-style-type: none"> For horizontal pipes: Mount the sensor at 135° → 14 Install a condensate trap or filter upstream of the flowmeter Check if heating devices are used upstream of the flowmeter causing possible temperature profile effects? If so: <ol style="list-style-type: none"> Relocate the flowmeter further downstream or Install a flow conditioner upstream of the flowmeter
The fault cannot be rectified or some other fault not described above has occurred. In such cases, your Endress+Hauser sales center can help.	<p>The following options are available for tackling problems of this nature:</p> <p>Request the services of an Endress+Hauser service technician If our service representative is contacted to have a service technician sent out, please be ready with the following information:</p> <ul style="list-style-type: none"> Brief description of the fault Nameplate specifications : Order code and serial number → 7 <p>Returning devices to Endress+Hauser The procedures on → 6 must be carried out before you return a flowmeter requiring repair or calibration to Endress+Hauser. Always enclose a duly completed "Declaration of contamination" form with the flowmeter. You will find a pre-printed "Declaration of contamination" at the back of this manual.</p> <p>Replace transmitter electronics Components in the measuring electronics defective → order replacement → 102</p>

10.5 Spare parts


The previous sections contain a detailed trouble-shooting guide. →  92

The measuring device, moreover, provides additional support in the form of continuous self-diagnosis and error messages.

Fault rectification can entail replacing defective components with tested spare parts. The illustration below shows the available scope of spare parts.



Note!

You can order spare parts directly from your Endress+Hauser sales center by providing the serial number printed on the transmitter's nameplate. →  7

Spare parts are shipped as sets comprising the following parts:

- Spare part
- Additional parts, small items (threaded fasteners, etc.)
- Installation instructions
- Packaging

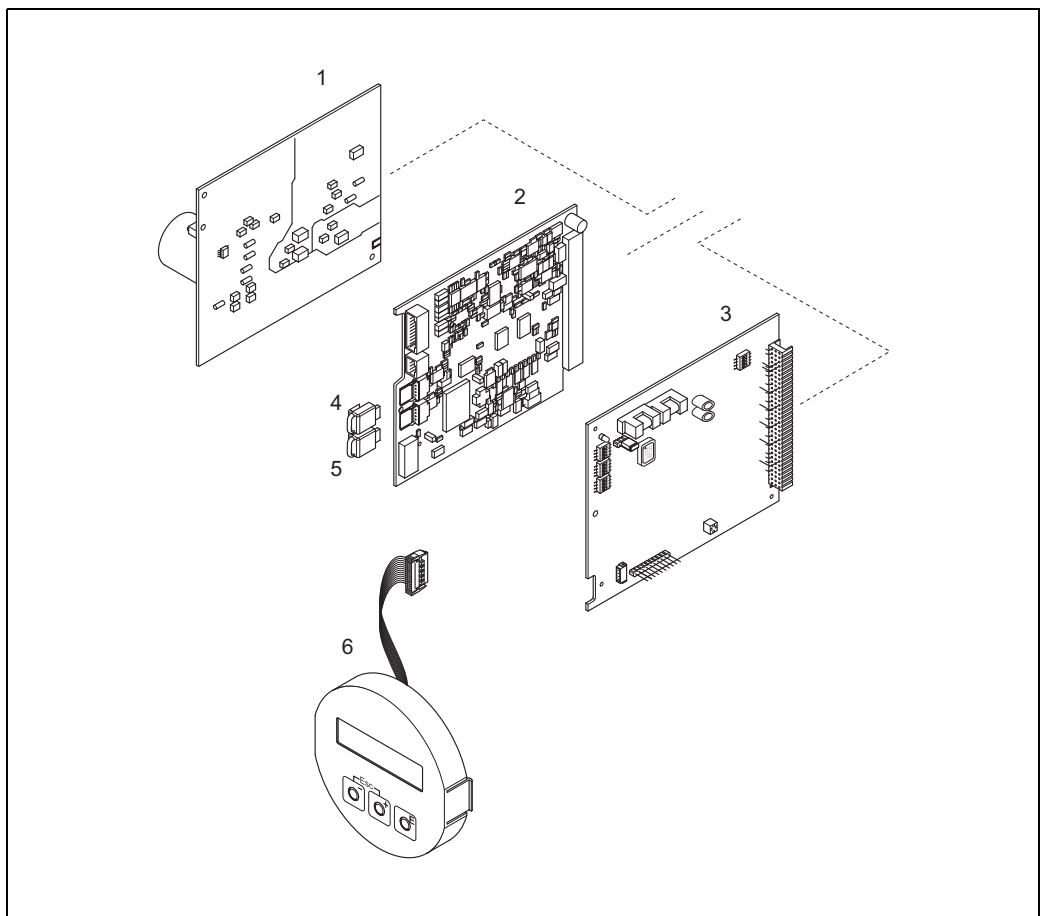


Fig. 47: Spare parts for transmitter 65 (field and wall-mount housings)

- 1 Power unit board (85 to 260 V AC, 20 to 55 V AC, 16 to 62 V DC)
- 2 Amplifier board
- 3 I/O board (COM module)
- 4 HistoROM/S-DAT (sensor data memory)
- 5 HistoROM/T-DAT (transmitter data memory)
- 6 Display module

10.5.1 Removing and installing printed circuit boards

Field housing



Warning!

- Risk of electric shock. Exposed components carry dangerous voltages. Switch off the power supply before you remove the cover of the electronics compartment.
- Risk of damaging electronic components (ESD protection). Static electricity can damage electronic components or impair their operability. Use a workplace with a grounded working surface purposely built for electrostatically sensitive devices!
- If you cannot guarantee that the dielectric strength of the measuring device can be maintained during the following steps, then an appropriate inspection test must be carried out in accordance with the manufacturer's specifications.
- When connecting Ex-certified measuring devices, see the notes and diagrams in the Ex-specific supplement to these Operating Instructions. Please do not hesitate to contact your Endress+Hauser sales center if you have any questions.

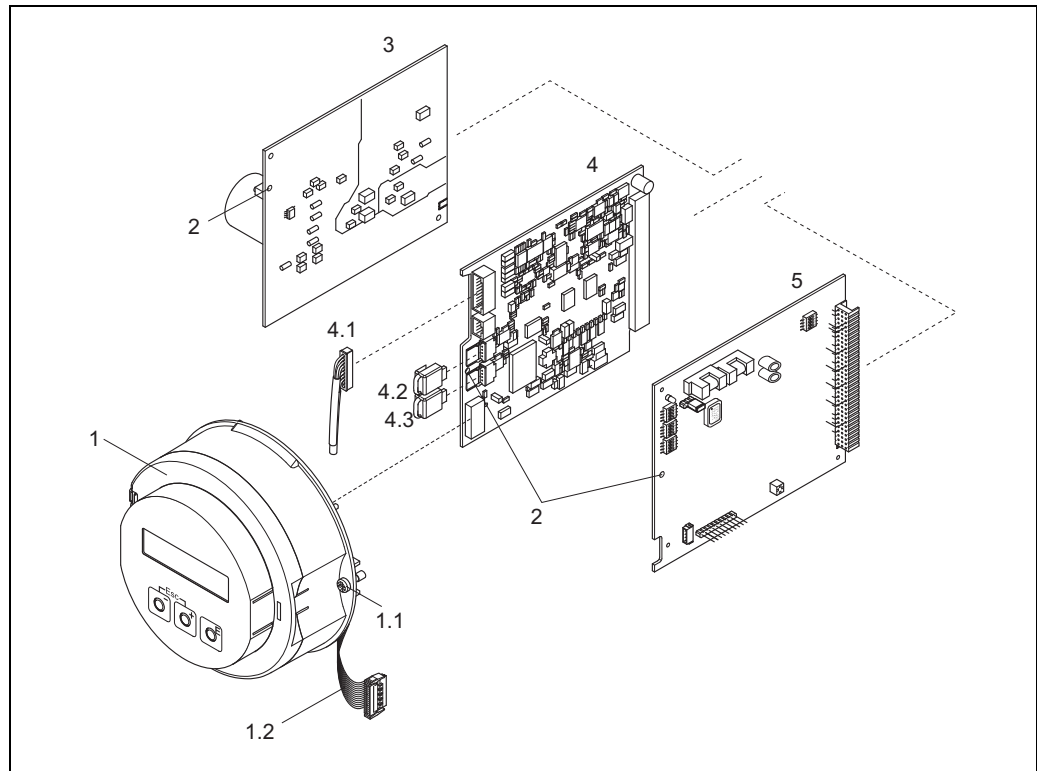


Caution!

Use only original Endress+Hauser parts.

Removal and installation →  48:

1. Unscrew cover of the electronics compartment from the transmitter housing.
2. Remove the screws (1.1) and remove the cover (1) from the electronics compartment.
3. Disconnect the display ribbon cable (1.2) from the amplifier board.
4. Remove power supply board (3) and I/O board (5):
Insert a thin pin into the hole (2) provided for the purpose and pull the board clear of its holder.
5. Remove amplifier board (4):
 - Disconnect the plug of the sensor signal cable (4.1) including HistoROM/S-DAT (4.2) and HistoROM/T-DAT (4.3) from the board.
 - Disconnect the plug of the excitation current cable (4.2) from the board carefully, i.e. without moving it to and fro.
 - Insert a thin pin into the hole (2) provided for the purpose and pull the board clear of its holder.
6. Installation is the reverse of the removal procedure.



A0005494

Fig. 48: Field housing: removing and installing printed circuit boards

- 1 Electronics compartment cover with local display
- 1.1 Screws of electronics compartment cover
- 1.2 Ribbon cable (display module)
- 2 Aperture for installing/removing boards
- 3 Power unit board
- 4 Amplifier board
- 4.1 Signal cable (sensor)
- 4.2 HistoROM/S-DAT (sensor data memory)
- 4.3 HistoROM/T-DAT (transmitter data memory)
- 5 I/O board

Wall-mount housing



Warning!

- Risk of electric shock. Exposed components carry dangerous voltages. Switch off the power supply before you remove the cover of the electronics compartment.
- Risk of damaging electronic components (ESD protection). Static electricity can damage electronic components or impair their operability. Use a workplace with a grounded working surface purposely built for electrostatically sensitive devices!
- If you cannot guarantee that the dielectric strength of the measuring device can be maintained during the following steps, then an appropriate inspection test must be carried out in accordance with the manufacturer's specifications.
- When connecting Ex-certified measuring devices, see the notes and diagrams in the Ex-specific supplement to these Operating Instructions. Please do not hesitate to contact your Endress+Hauser sales center if you have any questions.

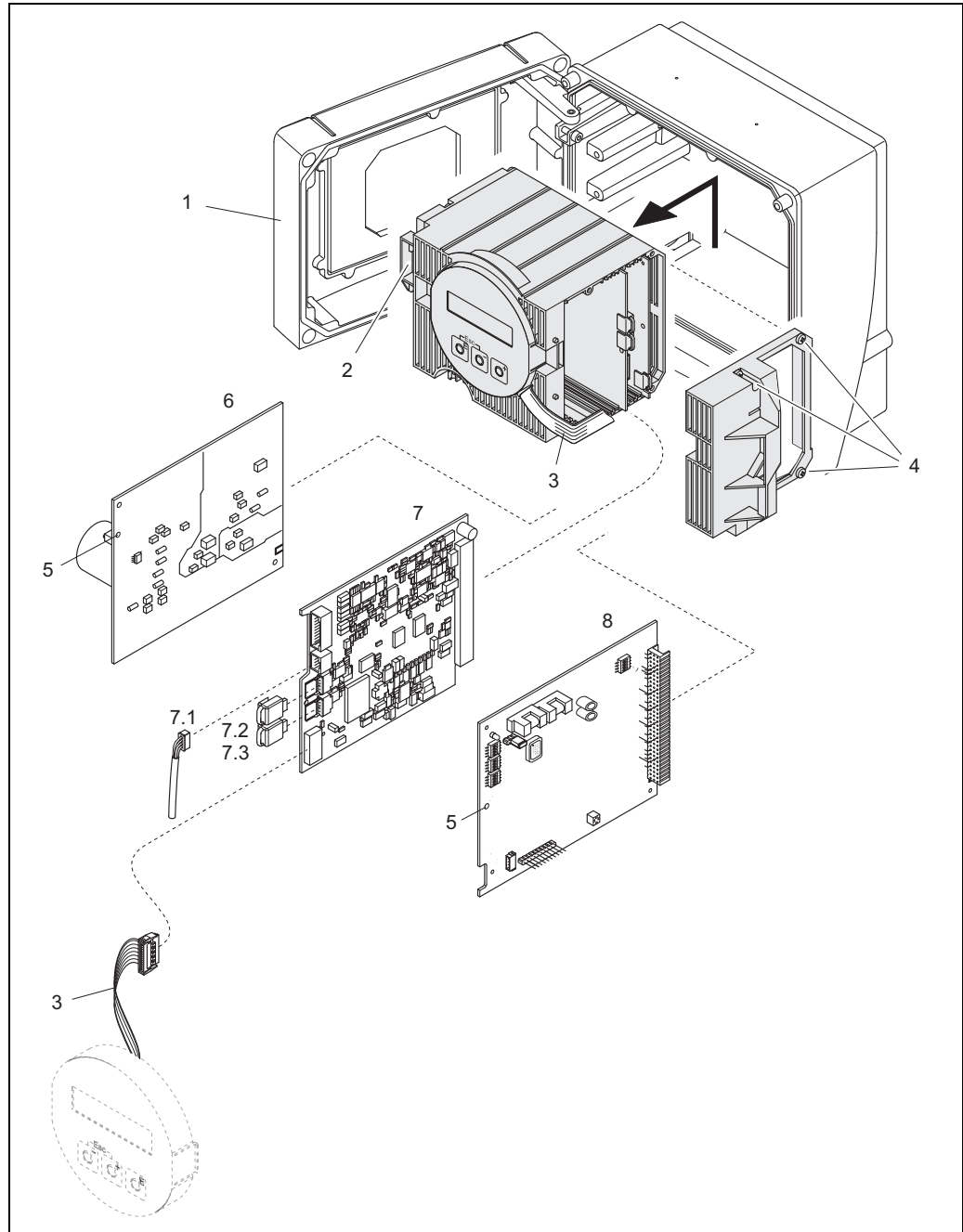


Caution!

Use only original Endress+Hauser parts.

Removal and installation →  49:

1. Remove the screws and open the hinged cover (1) of the housing.
2. Loosen the screws securing the electronics module (2). Then push up electronics module and pull it as far as possible out of the wall-mount housing.
3. Disconnect the sensor signal cable plug including HistoROM/S-DAT (7.2) and HistoROM/T-DAT (7.3) from amplifier board (7.1).
4. Remove the cover (4) from the electronics compartment by removing the screws.
5. Disconnect the ribbon cable plug (3) of the display module from amplifier board.
6. Remove the boards (6, 7, 8):
Insert a thin pin into the hole (5) provided for the purpose and pull the board clear of its holder.
7. Installation is the reverse of the removal procedure.



A0005496

Fig. 49: Field housing: removing and installing printed circuit boards

- 1 Housing cover
- 2 Electronics module
- 3 Ribbon cable (display module)
- 4 Screws of electronics compartment cover
- 5 Aperture for installing/removing boards
- 6 Power unit board
- 7 Amplifier board
- 7.1 Signal cable (sensor)
- 7.2 HistoROM/S-DAT (sensor data memory)
- 7.3 HistoROM/T-DAT (transmitter data memory)
- 8 I/O board

Electronics housing sensor remote version



Warning!

- Risk of damaging electronic components (ESD protection). Static electricity can damage electronic components or impair their operability. Use a workplace with a grounded working surface purposely built for electrostatically sensitive devices!

- If you cannot guarantee that the dielectric strength of the measuring device can be maintained during the following steps, then an appropriate inspection test must be carried out in accordance with the manufacturer's specifications.
- When connecting Ex-certified measuring devices, see the notes and diagrams in the Ex-specific supplement to these Operating Instructions. Please do not hesitate to contact your Endress+Hauser sales center if you have any questions.



Caution!

Use only original Endress+Hauser parts.

Removal and installation →  50:

1. Remove the safety screw (1) and remove the cover (2) from the electronics compartment.
2. Disconnect the sensor cable plug (3).
3. Disconnect the remote cable from the terminal block (4).
4. Remove the two screws (5) from the printed circuit board
5. Remove printed circuit board (6)
6. Installation is the reverse of the removal procedure.

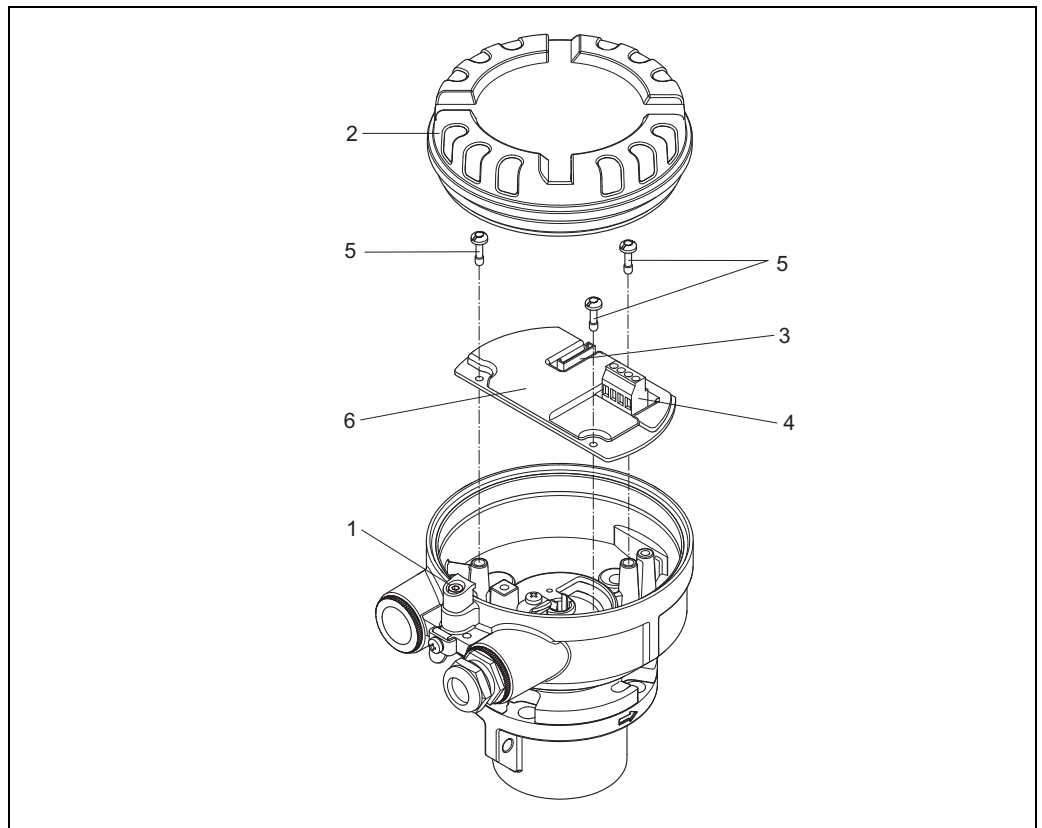


Fig. 50: Electronics compartment of the sensor housing remote version: removing and installing printed circuit board

Wire colors (when supplied by Endress+Hauser):

Terminal no. 41 = white; 42 = brown; 43 = green; 44 = yellow

10.5.2 Replacing the device fuse



Warning!

Risk of electric shock. Exposed components carry dangerous voltages. Switch off the power supply before you remove the cover of the electronics compartment.

The main fuse is on the power unit board.

The procedure for replacing the fuse is as follows:

1. Switch off the power supply.
2. Remove the power unit board → 103
3. Remove the protection cap (1) and replace the device fuse (2).
Only use the following fuse type:
 - Power supply 20 to 55 V AC / 16 to 62 V DC → 2.0 A slow-blow / 250 V; 5.2 x 20 mm
 - Power supply 85 to 260 V AC → 0.8 A slow-blow / 250 V; 5.2 x 20 mm
 - Ex-rated devices → see the Ex documentation.
4. Installation is the reverse of the removal procedure.



Caution!

Use only original Endress+Hauser parts.

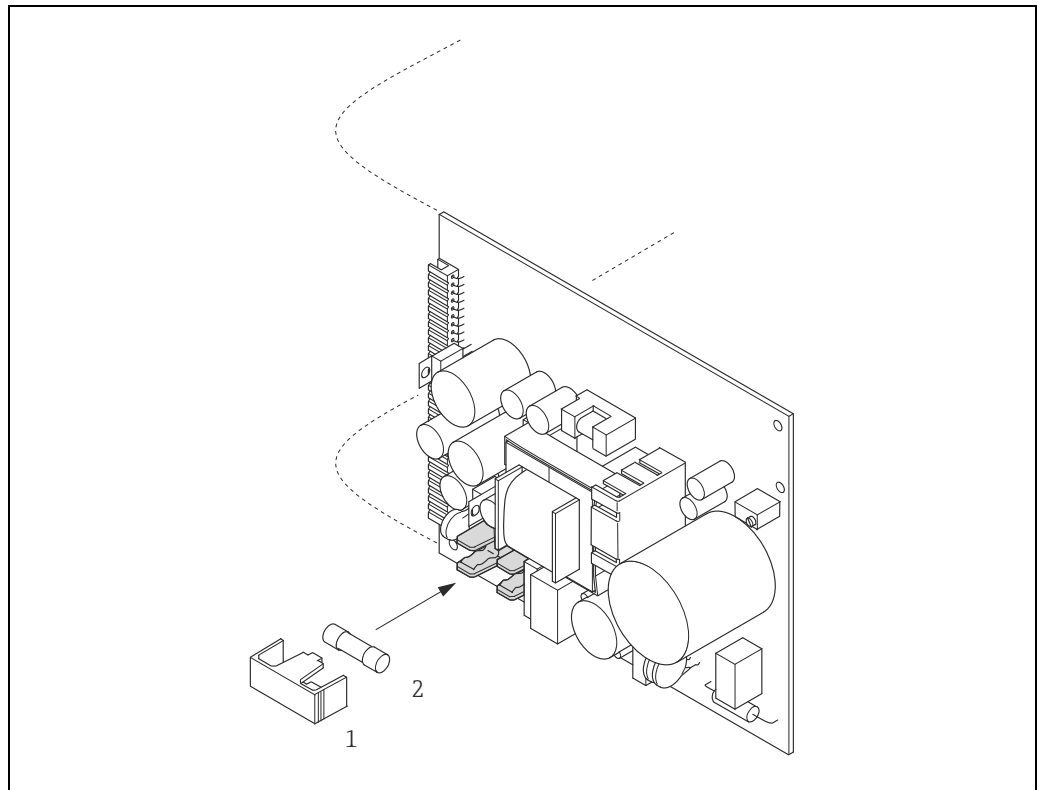


Fig. 51: Replacing the device fuse on the power unit board

- 1 Protective cap
- 2 Device fuse

10.6 Return

The measuring device must be returned if it is in need of repair or a factory calibration, or if the wrong measuring device has been delivered or ordered. According to legal regulations Endress+Hauser, as an ISO-certified company, is required to follow certain procedures when handling returned products that are in contact with the medium.

To ensure swift, safe and professional device returns, please read the return procedures and conditions on the Endress+Hauser website at www.services.endress.com/return-material

10.7 Disposal

10.7.1 Disassembling the measuring device

1. Switch off the device.
2. **WARNING!** Danger to persons from process conditions! Beware of hazardous process conditions such as pressure in the measuring device, high temperatures or aggressive fluids.

Carry out the mounting and connection procedure described in the "Mounting the measuring device" and "Connecting the measuring device" sections in the logically reverse order. Observe the safety instructions.

10.7.2 Disposing of the measuring device



Warning!

Hazardous fluids present a risk to humans and the environment!

- Ensure that the measuring device and all cavities are free of fluid residues that are hazardous to health or the environment, e.g. substances that have permeated into crevices or diffused through plastic.

Note the following when disposing of the device:

- Observe applicable national regulations.
- Separate and recycle the device components based on the materials.

10.8 Software history



Note!

Up or downloading a software version normally requires a special service software.

Date	Software version	Changes to software	Documentation
10.2010	3.06.XX	Introduction of a new PROFIBUS PA I/O board Software expansion: <ul style="list-style-type: none"> - second gas group in memory - gas heat flow and heat quantity - variable gas fraction input - revised diagnostics - Fieldcheck compatibility New functionalities: <ul style="list-style-type: none"> - Quick Setups for gas, pressure, heat flow and sensor - additional pressure units - system units for calorific value, heat flow and quantity heat - process pressure for gas group 1 + 2 - assignment of heat flow to display, totalizer and outputs - totalizer units for quantity heat flow - assignment of gas groups to outputs and totalizer - selection special gas with correction factors and reference density - insertion depth calculator - time stamping for process and system errors 	71123860/ 13.10
11.2005	1.00.XX	-	71009069/ 12.05

11 Technical data

11.1 Applications

→  5

11.2 Function and system design

Measuring principle Mass flow measurement by the thermal dispersion principle.

Measuring system The "t-mass 65" measuring device consists of the following components:

- t-mass 65 transmitter
- t-mass F, t-mass I sensor

Two versions are available:

- Compact version: transmitter and sensor form a single mechanical unit.
- Remote version: transmitter and sensor are installed separately.

11.3 Input

Measured variable

- Mass flow
- Gas temperature
- Gas heat flow

Measuring range The measuring range is dependent upon:

- Gas
- Pressure
- Temperature
- Cross-sectional area of pipe or duct
- Use of flow conditioner (t-mass F sensor)

Please refer to Applicator, the Endress+Hauser sizing and selection software, for calculation of the measuring range.

Special applications

High gas velocities (>70 m/s)

In the event of high gas velocities, it is advisable to read in the process pressure dynamically or to enter the pressure very precisely as a velocity-dependent correction is performed.

Light gases

- Due to the very high thermal conductivity of hydrogen (H₂) (9 times that of air) and the fact that hydrogen is the lightest of all gases, it can prove very difficult to reliably measure this gas. Depending on the application, the flow rates of hydrogen are often particularly slow and the flow profiles are not sufficiently developed. It is not unusual for the flows to be in the laminar range, whereas a turbulent flow regime would be required for optimum measurement.
- Despite loss of accuracy and linearity in hydrogen applications with low flow rates, the t-mass 65 measures with good repeatability and is therefore suitable for monitoring flow conditions (e.g. leak detection).
- A linear, reliable measured value is difficult to obtain in applications with light gases with a Reynolds number below RE 4000. While this can be improved by making a special adjustment in the lower flow range, a loss of accuracy and linearity should be expected. It is advisable to contact your Endress+Hauser sales center if your application involves media with Reynolds numbers below RE 4000.

- When mounting, please note that the recommended upstream distances should be doubled for very light gases such as helium and hydrogen. →  15

Input signal


Status input (auxiliary input)

U = 3 to 30 V DC, R_i = 3 kΩ, galvanically isolated. Switch level: ±3 to ±30 V DC, independent of polarity
 Configurable for: positive zero return, reset error messages


11.4 Output

Output signal

PROFIBUS DP interface:

- PROFIBUS DP in accordance with EN 50170 Volume 2
- Profile Version 3.0
- Data transmission rate: 9.6 kBaud to 12 MBaud
- Automatic data transmission rate recognition
- Signal encoding: NRZ Code
- Function blocks: 3 × Analog Input, 2 × Totalizer
- Output data: Mass flow, Heat flow, Corrected volume flow, Temperature, Totalizer 1 to 2
- Input data: Positive zero return (ON/OFF), Zero point adjustment, Measuring mode, Totalizer control
- Bus address can be configured via miniature switches or via the local display (optional)
- Available output combination →  31

PROFIBUS PA interface:

- PROFIBUS PA in accordance with EN 50170 Volume 2, IEC 61158-2 (MBP), galvanically isolated
- Data transmission rate: 31.25 kBaud
- Current consumption: 11 mA
- Permitted supply voltage: 9 to 32 V
- Bus connection with integrated reverse polarity protection
- Error current FDE (Fault Disconnection Electronic): 0 mA
- Signal coding: Manchester II
- Function blocks: 3 × Analog Input, 2 × Totalizer
- Output data: Mass flow, Heat flow, Corrected volume flow, Temperature, Totalizer 1 to 2
- Input data: Positive zero return (ON/OFF), Zero point adjustment, Measuring mode, Totalizer control
- Bus address can be configured via miniature switches or via the local display (optional)
- Available output combination →  31

Signal on alarm

Status and alarm messages in accordance with PROFIBUS Profile Version 3.0

Low flow cut off

Switch points for low flow cut off are programmable.
 Factory setting = 1% of 20 mA Value

Galvanic isolation

All circuits for inputs, outputs and power supply are galvanically isolated from each other.

11.5 Power supply

Electrical connections →  28

Supply voltage 85 to 260 V AC, 45 to 65 Hz
20 to 55 V AC, 45 to 65 Hz
16 to 62 V DC

Power consumption

- AC: 85 to 260 V = 18.2 VA; 20 to 55 V = 14 VA ; (including sensor)
- DC: 8 W (including sensor)

Switch-on current:

- Max. 8 A (<5 ms) at 24 V DC
- Max. 4 A (<5 ms) at 260 V AC

Power supply failure Lasting min. 1 power cycle:

- EEPROM/HistoROM/T-DAT saves measuring system data if the power supply fails.
- HistoROM S-DAT is an exchangeable data storage chip with sensor specific data: (pipe type, nominal diameter, serial number, flow conditioner, zero point, etc).
- Totalizer stops at the last value determined


Potential equalisation No measures necessary.
For measuring devices in hazardous areas please refer to the additional Ex documentation.

Cable entry Power supply and signal cables (inputs/outputs):

- Cable entry M20 × 1.5 (8 to 12 mm (0.31 to 0.47 in))
- Threads for cable entries, ½" NPT, G ½"

Connecting cable for remote version:

- Cable entry M20 × 1.5 (8 to 12 mm (0.31 to 0.47 in))
- Threads for cable entries, ½" NPT, G ½"

Cable specifications (remote version) →  30

11.6 Performance characteristics

Reference conditions

- Traceable to National Standards
- Accredited according to ISO/IEC 17025
- Air-controlled to 24 °C ± 0.5 °C (75.2 °F ± 0.9 °F) at atmospheric pressure
- Humidity-controlled < 40% RH

Maximum measured error *t-mass 65F and t-mass 65I*
 ±1.5 % of reading for 100 % to 10 % of range (at reference conditions)
 ±0.15 % of full scale for 10 % to 1 % of range (at reference conditions)

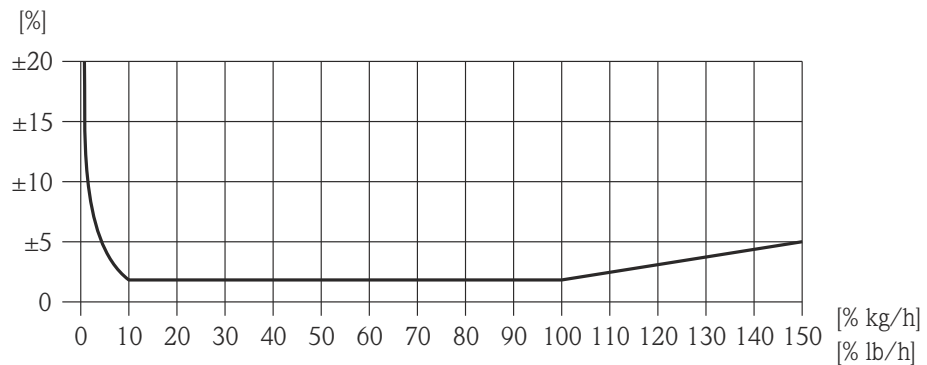


Fig. 52: Maximum measured error (% mass flow) as % of full scale value, see next table

A0021682

Order code for "Calibration flow" (not verified)	Performance characteristics	Description
G	Q = 100 to 150 %: ±1.5 to ±5 % of the current measured value increasing linearly as expressed in the following equation: $\pm 1.5 \pm (X_n - 100) \times 0.07$ [% o.r.] (100 % < $X_n \leq 150$ %; X_n = current flow in % o.f.s.) Q = 10 to 100 % of full scale value ¹⁾ ±1.5 % o.r. Q = 1 to 10 % of full scale value ¹⁾ ±0.15 % o.f.s. (all data under reference conditions)	Factory calibration: The measuring device is calibrated and adjusted on an accredited and traceable calibration rig and its accuracy is certified in a calibration report (3 control points).
H	Q = 100 to 150 %: ±1.5 to ±5 % of the current measured value increasing linearly as expressed in the following equation: $\pm 1.5 \pm (X_n - 100) \times 0.07$ [% o.r.] (100 % < $X_n \leq 150$ %; X_n = current flow in % o.f.s.) Q = 10 to 100 % of full scale value ¹⁾ ±1.5 % o.r. Q = 1 to 10 % of full scale value ¹⁾ ±0.15 % o.f.s. (all data under reference conditions)	Factory calibration + flow conditioner ²⁾ : The measuring device is calibrated and adjusted on an accredited and traceable calibration rig with a flow conditioner and its accuracy is certified in a calibration report (3 control points).

Order code for "Calibration flow" (not verified)	Performance characteristics	Description
K	<p>Q = 100 to 150 %: ± 1.5 to ± 5 % of the current measured value increasing linearly as expressed in the following equation: $\pm 1.5 \pm (X_n - 100) \times 0.07$ [% o.r.] (100 % < $X_n \leq 150$ %; X_n = current flow in % o.f.s.) Q = 10 to 100 % of full scale value¹⁾ ± 1.5 % o.r. Q = 1 to 10 % of full scale value¹⁾ ± 0.15 % o.f.s. (all data under reference conditions)</p>	<p>5-point, traceable ISO/IEC17025: The measuring device is calibrated and adjusted on an accredited and traceable calibration rig and its accuracy is certified in a Swiss Calibration Services (SCS) calibration report (5 control points), which confirms traceability to the national calibration standard.</p>
L	<p>Q = 100 to 150 %: ± 1.5 to ± 5 % of the current measured value increasing linearly as expressed in the following equation: $\pm 1.5 \pm (X_n - 100) \times 0.07$ [% o.r.] (100 % < $X_n \leq 150$ %; X_n = current flow in % o.f.s.) Q = 10 to 100 % of full scale value¹⁾ ± 1.5 % o.r. Q = 1 to 10 % of full scale value¹⁾ ± 0.15 % o.f.s. (all data under reference conditions)</p>	<p>5-point, traceable ISO/IEC17025 + flow conditioner²⁾: The measuring device is calibrated and adjusted on an accredited and traceable calibration rig with a flow conditioner and its accuracy is certified in a Swiss Calibration Services (SCS) calibration report (5 control points), which confirms traceability to the national calibration standard.</p>

1. The full scale value depends on the nominal diameter of the device and the maximum flow capacity of the calibration rig. The full scale values are listed in the following section.
2. A flow conditioner is also supplied.

Repeatability ± 0.5 % of reading for velocities above 1.0 m/s (0.3 ft/s)

Response time Typically less than 2 seconds for 63 % of a given step change (in either direction).

Influence of medium pressure (Pressure co-efficient) Air: 0.35 % per bar (0.02% per psi) of process pressure change

11.7 Installation

Installation section →  11

11.8 Environment

Ambient temperature range

Standard: -20 to +60 °C (-4 to +140 °F)
Optional: -40 to +60 °C (-40 to +140 °F)



Note!

- Install the device in a shady location. Avoid direct sunlight, particularly in warm climatic regions. (A protective sun cover is available on request)
- At ambient temperatures below -20 °C (-4 °F) the readability of the display may be impaired.

Storage temperature

-40 to +80 °C (-40 to +176 °F), recommended +20 °C (+68 °F)

Degree of protection

Standard: IP 67 (NEMA 4X) for transmitter and sensor

Shock resistance

According to IEC 60068-2-31

Vibration resistance

Acceleration up to 1 g, 10 to 150 Hz, following IEC 60068-2-6

Electromagnetic compatibility (EMC)

To IEC/EN 61326 and NAMUR recommendation NE 21

11.9 Process

Medium temperature range

Sensor

t-mass F:
-40 to +100 °C (-40 to +212 °F)

t-mass I:
-40 to +130 °C (-40 to +266 °F)

Seals t-mass F

O-rings:
Viton FKM -20 to +100 °C (-4 to +212 °F)
Kalrez -20 to +100 °C (-4 to +212 °F)
EPDM -40 to +100 °C (-40 to +212 °F)

Bushing:
PEEK -40 to +100 °C (-40 to +212 °F)

Seals t-mass I

Bonded seals:
Kalrez -20 to +130 °C (-4 to +266 °F)
EPDM -40 to +130 °C (-40 to +266 °F)
Nitrile -35 to +130 °C (-31 to +266 °F)

Ferrule:
PEEK, PVDF -40 to +130 °C (-40 to +266 °F)

Note

We recommend special materials (Alloy and PVDF) for aggressive media (e.g. chlorine or ozone). Please contact your Endress+Hauser sales center for clarification.

Media

The following media and media mixtures can be measured. A mixture can consist of up to 8 components from the following list.

AIR	ETHANE	METHANE
AMMONIA	ETHYLENE	NEON
ARGON	HELIUM 4	NITROGEN
BUTANE	HYDROGEN NORMAL	OXYGEN
CARBON DIOXIDE	HYDROGEN CHLORIDE	PROPANE
CARBON MONOXIDE	HYDROGEN SULFIDE	XENON
CHLORINE	KRYPTON	

Note

Other media (e.g. ozone) available on request. Contact your Endress+Hauser sales center for clarification.

Pressure-temperature ratings**Note!**

An overview of the pressure-temperature ratings for the process connections is provided in the Technical Information

Flow limit

See "Measuring range" section → 111.
The velocity in the measuring tube should not exceed 130 m/s (427 ft/s), (in air).

Pressure loss

Negligible (without flow conditioner).
Refer to Applicator for the precise calculation → 90

Medium pressure range (nominal pressure)

t-mass F:
-0.5 to 40 barg (-7.25 to 580 psig)
t-mass I:
-0.5 to 20 barg (-7.25 to 290 psig)

Limiting medium pressure range (nominal pressure)

The material load diagrams (pressure-temperature ratings) for the process connections are provided in the separate "Technical Information" document for the particular measuring device. This can be downloaded as a PDF file at www.endress.com.
A list of the "Technical Information" documents: → 122

Hot tap, process pressure

The Hot tap for mounting and removal at process pressure may only be used with non-toxic, innocuous gases classified as "Group II" in accordance with European Directive 67/548/EEC Art. 2.

Medium pressure version

Max. process pressure: 20 barg (290 psig)
Max. extraction press: 16 barg (230 psig)
Max. extraction temperature: +50 °C (+122 °F)
Min. sensor length: 435 mm (17 in)

Low pressure version


Max. process pressure: 20 barg (290 psig)
Max. extraction press: 4,5 barg (65 psig)
Max. extraction temperature: +50 °C (+122 °F)
Min. sensor length: 335 mm (13 in)

Cold tap, atmospheric pressure

Cold tap for mounting and removal at atmospheric pressure
 Max. process pressure: 20 barg (290 psig)
 Max. extraction pressure: 1 bar(a) (14.5 psia)
 Max. extraction temperature: +50 °C (+122 °F)
 Min. sensor length: 335 mm (13 in)

11.10 Mechanical construction

Design / dimensions

Dimensions and the fitting lengths of the transmitter and sensor are provided in the separate "Technical Information" document on the device in question. This can be downloaded as a PDF file from www.endress.com.
 A list of the "Technical Information" documents: →  122

Weight

- Wall-mount housing of remote version: 5 kg (11 lb)

Weight (SI units)

t-mass F* / DN	15	25	40	50	80	100
Compact version	7.5	8.0	12.5	12.5	18.7	27.9
Remote version	5.5	6.0	10.5	10.5	16.7	25.9

Weight dimensions in [kg]

* For flanged versions, all values (weight) refer to measuring devices with EN/DIN PN 40 flanges.

t-mass I / sensor length [mm]	235	335	435	608
Compact version	6.4	6.6	7.0	7.4
Remote version	4.4	4.6	5.0	5.4

Weight dimensions in [kg]

Weight (US units)

t-mass F* / DN [inch]	½"	1"	1½"	2"	3"	4"
Compact version	16.5	17.6	27.5	27.5	41.2	61.5
Remote version	12.1	13.2	23.1	23.1	36.7	57.1

Weight dimensions in [lb]

* For flanged versions, all values (weight) refer to measuring devices with "Cl 150" flanges.

t-mass I / sensor length [inch]	9.25"	13.2"	17.1"	24.0"
Compact version	14.1	14.5	15.4	16.3
Remote version	9.7	10.1	11.0	11.9

Weight dimensions in [lb]

Materials**Transmitter housing**

- Compact housing: powder coated die-cast aluminium
- Wall-mount housing: powder coated die-cast aluminium
- Remote field housing: powder coated die-cast aluminium

Connection housing, sensor (remote version)

Powder coated die-cast aluminium

t-mass F sensor

Measuring tube:

- In contact with medium:
 - DN 15 to 25 (½ to 1"): stainless cast steel CF3M-A351
 - DN 40 to 100 (1 ½ to 4"): 1.4404 (316/316L)
- Not in contact with medium:
 - 1.4301 (304)

Flanges (process connections):

Stainless steel 1.4404 (316L/316)

Transducer:

- 1.4404 (316L)
- Alloy C22, 2.4602 (N06022)

Transducer elements:

- 1.4404 (316L) or
- 1.4404 (316L)
- Alloy C22, 2.4602 (N06022)

Bushing:

PEEK GF30, PVDF

O-rings:

EPDM, Kalrez 6375, Viton FKM

t-mass I sensor

Insertion tube:

- Sensor length 235 (9"), 335 (13"), 435 (17"), 608 (24")
- 1.4404 (316/316L)
- Special lengths and full Alloy C22 versions on request

Transducer:

- 1.4404 (316L)
- Alloy C22, 2.4602 (N06022)

Protection gaurd:

1.4404 (316L)

Compression fitting:

1.4404 (316/316L)

Ferrule:

PEEK 450G, PVDF (on request)

Bonded seals:

EPDM, Kalrez 6375, Nitrile and 316/316L (outer ring)

Installation and removal assembly, process pressure

Lower tube section:

1.4404 (316/316L)

Upper tube section:

1.4404 (316/316L)

Ball valve:
CF3M and CF8M

Seal:
PTFE

Installation and removal assembly, ambient pressure

Lower tube section:
1.4404 to EN 10272 and 316/316L to A479

Upper tube section:
1.4404 to EN 10216-5 and 316/316L to A312

Ball valve:
CF3M and CF8M

Seal:
PTFE

Process connections	<p>For both the flanged and insertion meters it is possible to have wetted parts degreased for oxygen service. Further information is available from your Endress+Hauser sales center.</p> <p>t-mass F: Flanges according EN 1092-1, JIS B2220 and ASME B16.5</p> <p>t-mass I: G 1A or 1" MNPT thread</p>
----------------------------	---

11.11 Operability

Display elements	<ul style="list-style-type: none"> ■ Liquid crystal display: illuminated, two lines with 16 characters per line ■ Selectable display of different measured values and status variables ■ At ambient temperatures below -20 °C (-4 °F) the readability of the display may be impaired.
-------------------------	--

Operating elements	<ul style="list-style-type: none"> ■ Local operation with three keys (◀, ▶, ⏏) ■ Quick Setup menus for straight forward commissioning
---------------------------	---

Languages	English, German, French, Spanish, Italian, Dutch, Norwegian, Finnish, Swedish, Portuguese, Polish, Czech
------------------	--

11.12 Certificates and approvals

CE mark	<p>The measuring system is in conformity with the statutory requirements of the applicable EC Directives. These are listed in the corresponding EC Declaration of Conformity along with the standards applied.</p> <p>Endress+Hauser confirms successful testing of the device by affixing to it the CE mark.</p>
----------------	---

C-Tick mark	The measuring system meets the EMC requirements of the Australian Communications and Media Authority (ACMA).
--------------------	--

Ex approval

Information about currently available Ex versions (ATEX, FM, CSA etc.) is available from your Endress+Hauser sales center. All explosion protection data are given in a separate documentation which is available upon request.

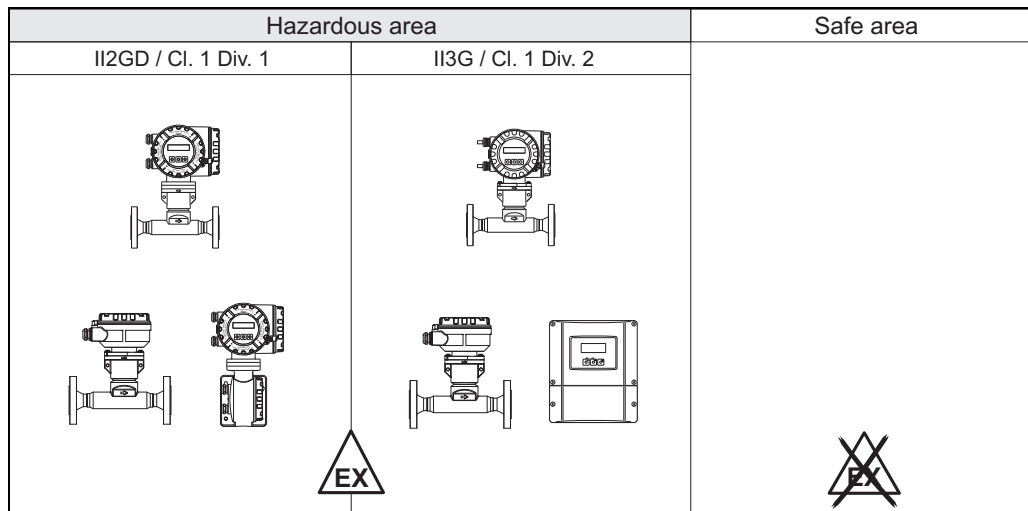


Fig. 53: Example of t-mass devices in the hazardous area (Example t-mass 65F)

PROFIBUS DP/PA certification

The flowmeter has successfully passed all the test procedures carried out and is certified and registered by the PNO (PROFIBUS User Organization). The device thus meets all the requirements of the following specifications:

- Certified in accordance with PROFIBUS Profile Version 3.0 (device certification number: available on request)
- The device can also be operated in conjunction with other-make certified devices (interoperability).

Pressure measuring device approval

- With the identification PED/G1/x (x = category) on the sensor nameplate, Endress+Hauser confirms conformity with the "Essential safety requirements" of Appendix I of the Pressure Equipment Directive 97/23/EC.
- Devices with this identification (with PED) are suitable for the following types of fluid: Fluids of Group 1 and 2 with a steam pressure of greater than, or smaller and equal to 0.5 bar (7.3 psi).
- Devices without this identification (without PED) are designed and manufactured according to good engineering practice. They correspond to the requirements of Art. 3, Section 3 of the Pressure Equipment Directive 97/23/EC. Their application is illustrated in Diagrams 6 to 9 in Appendix II of the Pressure Equipment Directive 97/23/EC.

Oxygen service

For oxygen applications with the order code for "Surface cleaning" option B "Certified and cleaned of oil and grease"
 We certify that the wetted parts of the flow sensor have been degreased in accordance with British Oxygen Company (BOC) specification 50000810 and BS-IEC-60877:1999. After final degreasing there shall be less than 100 milligram/m² (0.01 milligram/cm²) of oil/grease contamination on the degreased surface of the component.

Other standards and guidelines

- BS IEC 60877:1999
Procedures for ensuring the cleanliness of industrial-process measurement and control equipment in oxygen service.
- EN 60529
Degrees of protection by housing (IP code)
- EN 61010-1
Protection Measures for Electrical Equipment for Measurement, Control, Regulation and Laboratory Procedures.
- IEC/EN 61326
"Emission in accordance with requirements for Class A".
Electromagnetic compatibility (EMC- requirements).
- EN 91/155/EEC
Safety Data Sheets Directive.
- ISO/IEC 17025
General requirements for the competence of testing and calibration laboratories.
- ISO 14511
Measurement of fluid flow in closed conduits - Thermal mass flowmeters.
- NAMUR NE 21
Electromagnetic compatibility (EMC) of industrial process and laboratory control equipment.
- NAMUR NE 43
Standardisation of the signal level for the breakdown information of digital transmitters with analogue output signal.
- NAMUR NE 53
Software of field devices and signal-processing devices with digital electronics

11.13 Ordering information

The Endress +Hauser sales center can provide detailed ordering information and information on the extended order code.

11.14 Accessories

Various accessories, which can be ordered separately from Endress+Hauser, are available for the transmitter and the sensor →  90

11.15 Documentation

- ▶ Technical Information t-mass 65F, 65I (TI00069D/06)
- ▶ Description of Device Functions t-mass 65 (BA00114D/06)
- ▶ Supplementary documentation on Ex-ratings: ATEX, FM, CSA, IECEx, NEPSI
- ▶ Flow measuring technology (FA00005D/06/)

Index

A

Accessories	90
Acyclic data transmission	83
Addressing	45
Ambient temperature	116
Analyzer input	71, 80
Applications	5
Applicator (selection and sizing software)	90
Approvals	10, 120

B

Block model	
PROFIBUS DP	65
PROFIBUS PA	74
Bus structure	
PROFIBUS DP	28

C

Cable entry	
Degree of protection	35
Technical data	113
Cable specification, connecting cable	30
Cable specifications	
PROFIBUS DP	28
Cable specifications (remote version)	30
Cable type	
PROFIBUS DP	28
Calibration	
In-situ	89
Reference conditions	113
CE mark	120
CE mark (declaration of conformity)	10
Certificates	10, 120
Certificates and approvals	10
Cleaning	
External cleaning	88
Pipe cleaning	88
Transducer cleaning	88
Code entry (function matrix)	40
Commissioning	50
Connecting the remote version	29
Connection	
See Electrical connection	
Connection diagram	
PROFIBUS PA	33
C-Tick mark	10, 120
Cyclic data transmission	
PROFIBUS DP	65
PROFIBUS PA	74

D

Data back-up (of device data with T-DAT)	59
Data storage device (HistoROM)	85
Data transmission	
Acyclic	83
Declaration of conformity (CE mark)	10
Degree of protection	35, 116

Designated use	5
Device address	
PROFIBUS DP	45
Device address, configuring	
PROFIBUS PA	48
Device description data	
PROFIBUS DP	42
PROFIBUS PA	43
Device designation	7, 111
Device status, display	93
Display	
Turning the display	24
Documentation	122

E

Electrical connection	
Cable specifications (remote version)	30
Degree of protection	35
Remote version	30
Error messages	
System error (device error)	93
Error types (system and process errors)	41
Ex approval	121

F

Fault message	41
Field housing	32
Fieldbus connector	34
FieldCare	42
Fieldcheck (tester and simulator)	91
Flow conditioner	16
Function check	49
Function matrix	
(Brief operating instructions)	39
Fuse, replacing	108

G

Galvanic isolation	112
Gas analyzer	85
Gas mixture	5
Gas programming	53
Gas properties	5
Grounding	29

H

Hardware write protection	
PROFIBUS DP	44
PROFIBUS PA	47
Heat flow	56
Heat quantity	56
HistoROM	
S-DAT (sensor DAT)	85
T-DAT (transmitter DAT)	85
HOME position (display operating mode)	38

I

Identification	7
----------------	---

Incoming acceptance	11
Inlet and outlet runs	15
Input signal	112
Insertion depth	19
Insertion sensor	
Insertion depth	19
Installation	19
Installation	11
Insertion sensor	19
See Installation conditions	
Welding boss	19
Installation conditions	12
Dimensions	12
Installation, commissioning and operation	5
Installing the wall-mount transmitter housing	25
L	
Languages	120
Limiting flow	
See Measuring range	
Local display	
See Display	
Low flow cut off	112
Low pressure mounting set	23
M	
Maintenance	88
Material	119
Materials	119
Maximum measured error	114
Measured value status, display	93
Measured variable	111
Measuring principle	111
Measuring range	111
Measuring system	7, 111
Medium pressure (Influence)	115
Medium pressure range	117
Medium temperature range	116
Module	
AI (Analog Input)	
PROFIBUS DP	67
PROFIBUS PA	76
BATCHING_QUANTITY	
PROFIBUS DP	71
PROFIBUS PA	80
CONTROL_BLOCK	
PROFIBUS DP	70
PROFIBUS PA	79
DISPLAY_VALUE	
PROFIBUS DP	70
PROFIBUS PA	79
EMPTY_MODULE	
PROFIBUS DP	71
PROFIBUS PA	80
FRACTION_INPUT	
PROFIBUS PA	80
PRESSURE_VALUE	
PROFIBUS DP	71
PROFIBUS PA	80

SETTOT_MODETOT_TOTAL	
PROFIBUS DP	69
PROFIBUS PA	78
SETTOT_TOTAL	
PROFIBUS DP	68
PROFIBUS PA	77
TOTAL	
PROFIBUS DP	67
PROFIBUS PA	76
Modules	
FRACTION_INPUT	
PROFIBUS DP	71
N	
Nameplate	
Connections	9
Sensor	8
Transmitter	7
Net/gross calorific value	56
Notice message	41
O	
Operating conditions	116
Operating options	37, 42
Operation	37
FieldCare	42
Operational safety	6
Order code	
Accessories	90
Sensor	9
Transmitter	7–8
Ordering information	122
Orientation	14
Outlet runs with pressure measuring points	16
Output signal	112
PROFIBUS DP	112
PROFIBUS PA	112
Oxygen service	121
P	
Pipe cleaning	88
Pipework requirements	13
Post-connection check	36
Post-installation check	27
Post-installation check (checklist)	27
Power consumption	113
Power supply (supply voltage)	113
Power supply failure	113
Pressure	
Limiting medium pressure range	117
Medium pressure (Influence)	115
Medium pressure range	117
Process pressure	55
Quick Setup	55
System pressure	12
Pressure co-efficient	115
Pressure loss (formulas, pressure loss diagrams)	117
Pressure measuring device approval	121
Pressure measuring points	16
Printed circuit boards (installation/removal)	

Field housing	103, 107	Sensor	52
Wall-mount housing	105	R	
Process error Definition	41	Recalibration	89
Process errors without messages	100	Registered trademarks	10
Process pressure	55, 71, 80	Removal	23
Process pressure, programming	55	Repeatability	115
Product safety	6	Replacement	
PROFIBUS DP		Printed circuit boards (installation/removal)	103, 105–106
Bus structure	28	Replacing	
Cable specifications	28	Seals	89
Cable type	28	Response time	111, 115
Configuration examples	72	S	
Configuring the terminating resistors	46	Safety icons	6
Cyclic data transmission	65	Safety instructions	6
Device address	45	S-DAT (sensor DAT)	85
Device description data	42	Seals	
Hardware write protection	44	Materials	119
Output signal	112	Medium temperature range	116
Spur	29	Replacing, replacement seals	89
PROFIBUS DP cyclic data transmission		Sensor heating	18
AI (Analog Input) module	67	Sensor installation	
BATCHING_QUANTITY module	71	See Installation conditions	
Block model	65	Sensor setup	52
CONTROL_BLOCK module	70	Serial number	7–9
DISPLAY_VALUE module	70	Shielding	29
EMPTY_MODULE module	71	Shock resistance	116
PRESSURE_VALUE module	71	Software	
SETTOT_MODETOT_TOTAL module	69	Amplifier display	49
SETTOT_TOTAL module	68	Versions (history)	110
TOTAL module	67	Spare parts	102
PROFIBUS PA		Spur	
Configuration examples	81	PROFIBUS DP	29
Cyclic data transmission	74	Status input	
Device address, configuring	48	Technical data	112
Device description data	43	Status output	112
Hardware write protection	47	Storage	11
Output signal	112	Storage temperature	116
Terminal assignment	31	Supplementary Ex documentation	6
PROFIBUS PA cyclic data transmission		Supply voltage (power supply)	113
AI (Analog Input) module	76	Switching on the measuring device	49
BATCHING_QUANTITY module	80	System error Definition	41
Block model	74	System error messages	93
CONTROL_BLOCK module	79	System pressure	12, 117
DISPLAY_VALUE module	79	T	
EMPTY_MODULE module	80	T-DAT (HistoROM)	
PRESSURE_VALUE module	80	Save/load (data back-up, e.g. for replacing devices)	59
SETTOT_MODETOT_TOTAL module	78	T-DAT (transmitter DAT)	85
SETTOT_TOTAL module	77	Technical data	111
TOTAL module	76	Temperature range	
Programming mode		Ambient temperature range	116
Enabling	40–41	Environment	116
Pulsating flow	12	Medium	116
Q		Medium temperature range	116
Quick Setup		Storage	116
Commissioning	50	Storage temperature	116
Gas programming	53	Terminal assignment	31
Heat flow	56		
Pressure	55		

PROFIBUS PA	31
Terminating resistors	46
Thermal insulation	18
Totalizer	67, 72, 76, 81
Transducer cleaning	88
Transmitter	
Electrical connection	31
Installing the wall-mount transmitter housing	25
Turning the field housing (aluminium)	24
Transport	11
Transporting the sensor	11
Trouble-shooting	92
Trouble-shooting and remedy	92
Turning the local display	24
Turning the transmitter housing	24
V	
Vibration resistance	116
See "Vibration resistance"	
Vibrations	18, 116
W	
Wall-mount housing, installing	25
Weight	118
Welding boss	19
Writes (max.)	64
Z	
Zero point adjustment	84–85

www.addresses.endress.com
