

# Technical Information

## iTEMP® TMT82

Dual-input temperature transmitter



With HART® protocol and SIL compliance

### Application

- Temperature transmitter with 2 input channels and HART® communication for the conversion of different input signals into a scalable, analog 4 to 20 mA output signal
- The iTEMP® TMT82 stands out due to its reliability, long-term stability, high precision and advanced diagnostics (important in critical processes)
- For the highest level of safety, reliability and risk reduction
- Universal input for resistance thermometers (RTD), thermocouples (TC), resistance transmitters (Ω), voltage transmitters (mV)
- Installation in flat-face terminal head as per DIN EN 50446
- Optional: installation in field housing even for use in Ex d applications
- Optional: device design for DIN rail mounting

### Your benefits

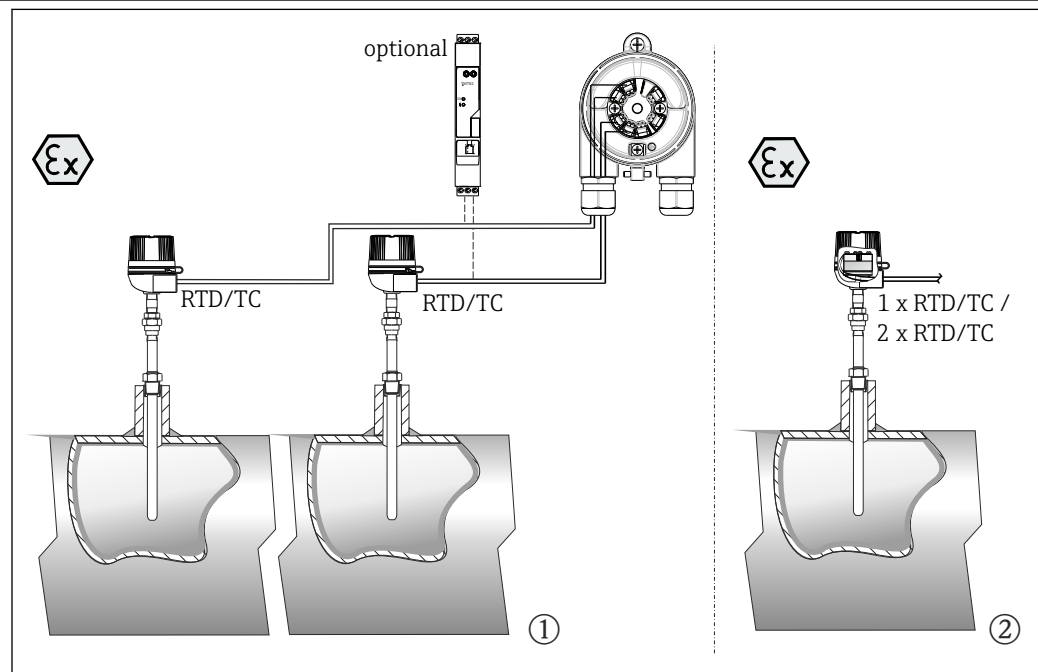
- Safe operation in hazardous areas with international approvals
- SIL certification as per IEC 61508:2010
- Protocol extension for safe HART® transmission
- High accuracy of measuring point through sensor-transmitter matching
- Reliable operation with sensor monitoring and device hardware fault recognition
- Diagnostics information according to NAMUR NE107
- Several mounting versions and sensor connection combinations
- Rapid no-tools wiring due to optional spring terminal technology
- Write protection for device parameters

## Function and system design

### Measuring principle

Electronic recording and conversion of various input signals in industrial temperature measurement.

### Measuring system



A0017802-EN

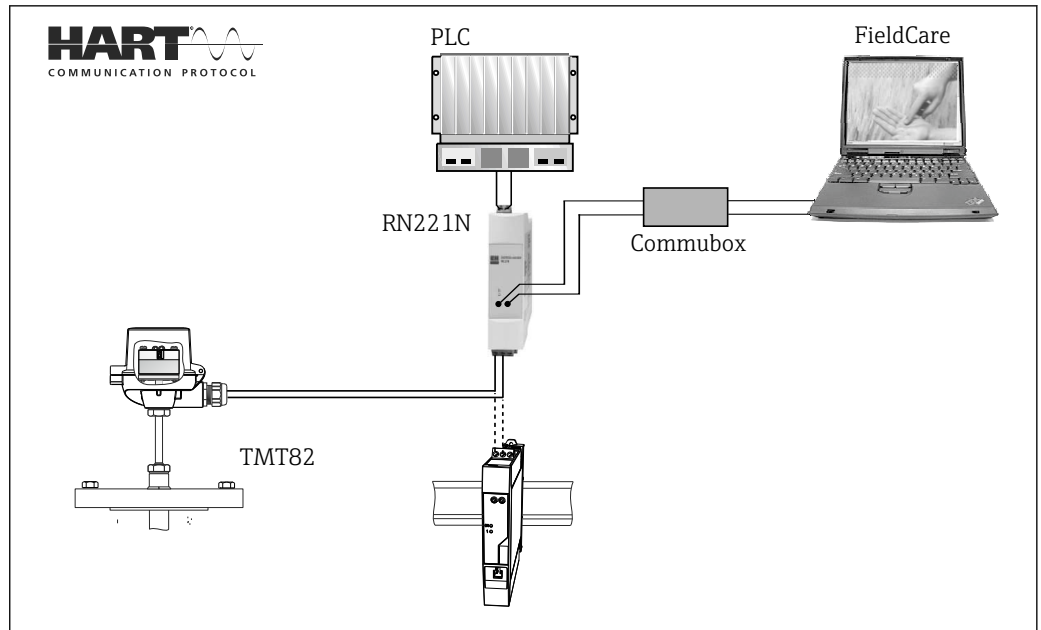
#### 1 Application examples

- ① Two sensors with measuring input (RTD or TC) in remote installation with the following advantages: drift warning, sensor backup function and temperature-dependent sensor switching
- ② Integrated transmitter - 1 x RTD/TC or 2 x RTD/TC for redundancy

Endress+Hauser offers a comprehensive range of industrial thermometers with resistance sensors or thermocouples.

When combined with the temperature transmitter, these components form a complete measuring point for a wide range of applications in the industrial sector.

The temperature transmitter is a 2-wire device with two measuring inputs and one analog output. The device not only transfers converted signals from resistance thermometers and thermocouples, it also transfers resistance and voltage signals using HART® communication and as a 4 to 20 mA current signal. It can be installed as an intrinsically safe apparatus in hazardous areas. It is used for instrumentation in the terminal head (flat face) as per DIN EN 50446 or as a DIN rail device for installation in the control cabinet on a TH35 mounting rail as per EN 60715.



A0013802

2 Device architecture for HART® communication

### Standard diagnostic functions

- Cable open-circuit, short-circuit of sensor wires
- Incorrect wiring
- Internal device errors
- Overrange/underrange detection
- Ambient temperature out-of-range detection

### Corrosion detection as per NAMUR NE89

Corrosion of the sensor connection cables can cause incorrect measured value readings. The transmitter offers the possibility of detecting any corrosion of the thermocouples and resistance thermometers with 4-wire connection before a measured value is corrupted. The transmitter prevents incorrect measured values from being exported and can issue a warning via the HART® protocol if conductor resistance values exceed plausible limits.

### Low voltage detection

The low voltage detection function prevents the device from continuously transmitting an incorrect analog output value (caused by an incorrect or damaged power supply system or a damaged signal cable). If the supply voltage drops below the required value, the analog output value drops to < 3.6 mA for approx. 5 seconds. The device then tries to output the normal analog output value again. If the supply voltage is still too low, this process is repeated cyclically.

### 2-channel functions

These functions increase the reliability and availability of the process values:

- Sensor backup switches to the second sensor if the primary sensor fails
- Drift warning or alarm if the deviation between sensor 1 and sensor 2 is less than or greater than a predefined limit value
- Temperature-dependent switching between sensors which are used in different measuring ranges
- Mean value or differential measurement from two sensors
- Mean value measurement with sensor redundancy

 Not all modes are available in the SIL mode, see the 'Functional Safety Manual'.

 Functional Safety Manual for temperature transmitter TMT82: SD01172T/09

## Input

**Measured variable** Temperature (temperature-linear transmission behavior), resistance and voltage.

**Measuring range** It is possible to connect two sensors that are independent of one another <sup>1)</sup>. The measuring inputs are not galvanically isolated from each other.

Resistance thermometer (RTD) as per standard	Designation	$\alpha$	Measuring range limits	Min. span
IEC 60751:2008	Pt100 (1) Pt200 (2) Pt500 (3) Pt1000 (4)	0.003851	-200 to +850 °C (-328 to +1562 °F) -200 to +850 °C (-328 to +1562 °F) -200 to +500 °C (-328 to +932 °F) -200 to +250 °C (-328 to +482 °F)	10 K (18 °F)
JIS C1604:1984	Pt100 (5)	0.003916	-200 to +510 °C (-328 to +950 °F)	10 K (18 °F)
DIN 43760 IPTS-68	Ni100 (6) Ni120 (7)	0.006180	-60 to +250 °C (-76 to +482 °F) -60 to +250 °C (-76 to +482 °F)	10 K (18 °F)
GOST 6651-94	Pt50 (8) Pt100 (9)	0.003910	-185 to +1100 °C (-301 to +2012 °F) -200 to +850 °C (-328 to +1562 °F)	10 K (18 °F)
OIML R84: 2003, GOST 6651-2009	Cu50 (10) Cu100 (11)	0.004280	-180 to +200 °C (-292 to +392 °F) -180 to +200 °C (-292 to +392 °F)	10 K (18 °F)
	Ni100 (12) Ni120 (13)	0.006170	-60 to +180 °C (-76 to +356 °F) -60 to +180 °C (-76 to +356 °F)	10 K (18 °F)
OIML R84: 2003, GOST 6651-94	Cu50 (14)	0.004260	-50 to +200 °C (-58 to +392 °F)	10 K (18 °F)
-	Pt100 (Callendar van Dusen) Nickel polynomial Copper polynomial	-	The measuring range limits are specified by entering the limit values that depend on the coefficients A to C and R0.	10 K (18 °F)
<ul style="list-style-type: none"> <li>■ Type of connection: 2-wire, 3-wire or 4-wire connection, sensor current: ≤0.3 mA</li> <li>■ With 2-wire circuit, compensation of wire resistance possible (0 to 30 Ω)</li> <li>■ With 3-wire and 4-wire connection, sensor wire resistance up to max. 50 Ω per wire</li> </ul>				
<b>Resistance transmitter</b>	Resistance Ω		10 to 400 Ω 10 to 2000 Ω	10 Ω 10 Ω

Thermocouples (TC) as per standard	Designation	Measuring range limits		Min. span
IEC 60584, Part 1	Type A (W5Re-W20Re) (30)	0 to +2500 °C (+32 to +4532 °F)	Recommended temperature range: 0 to +2500 °C (+32 to +4532 °F)	50 K (90 °F)
	Type B (PtRh30-PtRh6) (31)	+40 to +1820 °C (+104 to +3308 °F)	+100 to +1500 °C (+212 to +2732 °F)	50 K (90 °F)
	Type E (NiCr-CuNi) (34)	-270 to +1000 °C (-454 to +1832 °F)	0 to +750 °C (+32 to +1382 °F)	50 K (90 °F)
	Type J (Fe-CuNi) (35)	-210 to +1200 °C (-346 to +2192 °F)	+20 to +700 °C (+68 to +1292 °F)	50 K (90 °F)
	Type K (NiCr-Ni) (36)	-270 to +1372 °C (-454 to +2501 °F)	0 to +1100 °C (+32 to +2012 °F)	50 K (90 °F)
	Type N (NiCrSi-NiSi) (37)	-270 to +1300 °C (-454 to +2372 °F)	0 to +1100 °C (+32 to +2012 °F)	50 K (90 °F)
	Type R (PtRh13-Pt) (38)	-50 to +1768 °C (-58 to +3214 °F)	0 to +1400 °C (+32 to +2552 °F)	50 K (90 °F)
	Type S (PtRh10-Pt) (39)	-50 to +1768 °C (-58 to +3214 °F)	0 to +1400 °C (+32 to +2552 °F)	50 K (90 °F)
Type T (Cu-CuNi) (40)	-260 to +400 °C (-436 to +752 °F)	-185 to +350 °C (-301 to +662 °F)	50 K (90 °F)	
IEC 60584, Part 1; ASTM E988-96	Type C (W5Re-W26Re) (32)	0 to +2315 °C (+32 to +4199 °F)	0 to +2000 °C (+32 to +3632 °F)	50 K (90 °F)
ASTM E988-96	Type D (W3Re-W25Re) (33)	0 to +2315 °C (+32 to +4199 °F)	0 to +2000 °C (+32 to +3632 °F)	50 K (90 °F)
DIN 43710	Type L (Fe-CuNi) (41)	-200 to +900 °C (-328 to +1652 °F)	0 to +750 °C (+32 to +1382 °F)	50 K (90 °F)
	Type U (Cu-CuNi) (42)	-200 to +600 °C (-328 to +1112 °F)	-185 to +400 °C (-301 to +752 °F)	

1) In the case of 2-channel measurement the same measuring unit must be configured for the two channels (e.g. both °C or F or K). Independent 2-channel measurement of a resistance transmitter (Ohm) and voltage transmitter (mV) is not possible.

Thermocouples (TC) as per standard	Designation	Measuring range limits		Min. span
GOST R8.8585-2001	Type L (NiCr-CuNi) (43)	-200 to +800 °C (-328 to +1472 °F)	0 to +750 °C (+32 to +1382 °F)	50 K (90 °F)
	<ul style="list-style-type: none"> <li>▪ Internal cold junction (Pt100)</li> <li>▪ External cold junction: configurable value -40 to +85 °C (-40 to +185 °F)</li> <li>▪ Max. sensor resistance k10 kΩ (if sensor resistance is greater than 10 kΩ, an error message as per NAMUR NE89 is output)</li> </ul>			
Voltage transmitter (mV)	Millivolt transmitter (mV)	-20 to 100 mV		5 mV

**Type of input**

The following connection combinations are possible when both sensor inputs are assigned:

		Sensor input 1			
		RTD or resistance transmitter, 2-wire	RTD or resistance transmitter, 3-wire	RTD or resistance transmitter, 4-wire	Thermocouple (TC), voltage transmitter
Sensor input 2	RTD or resistance transmitter, 2-wire	☑	☑	-	☑
	RTD or resistance transmitter, 3-wire	☑	☑ <sup>1)</sup>	-	☑ <sup>1)</sup>
	RTD or resistance transmitter, 4-wire	-	-	-	-
	Thermocouple (TC), voltage transmitter	☑	☑ <sup>1)</sup>	☑ <sup>1)</sup>	☑ <sup>1)</sup>

1) Permitted combinations in the SIL mode, see Functional Safety Manual SD01172T/09/

## Output

**Output signal**

Analog output	4 to 20 mA, 20 to 4 mA (can be inverted)
Signal encoding	FSK ±0.5 mA via current signal
Data transmission rate	1200 baud
Galvanic isolation	U = 2 kV AC (input/output)

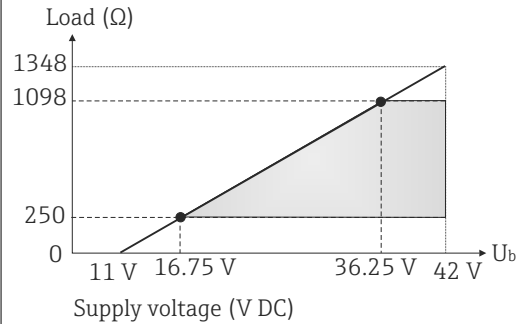
**Failure information****Failure information as per NAMUR NE43:**

Failure information is created if the measuring information is missing or not valid. A complete list of all the errors occurring in the measuring system is created.

Underranging	Linear drop from 4.0 to 3.8 mA
Overranging	Linear increase from 20.0 to 20.5 mA
Failure, e.g. sensor breakage, sensor short-circuit	<p>≤ 3.6 mA ("low") or ≥ 21 mA ("high"), can be selected</p> <p>The "high" alarm setting can be set between 21.5 mA and 23 mA, thus providing the flexibility needed to meet the requirements of various control systems. Only the "low" alarm setting is possible in the SIL mode.</p>

**Load**

$R_{b \max} = (U_{b \max} - 11 \text{ V}) / 0.023 \text{ A}$  (current output). Valid for head transmitter



A0014066-EN

**Linearization/transmission behavior** Temperature-linear, resistance-linear, voltage-linear

**Network frequency filter** 50/60 Hz

**Filter** 1st order digital filter: 0 to 120 s

**Protocol-specific data**

HART® version	7
Device address in the multi-drop mode <sup>1)</sup>	Software setting addresses 0 to 63
Device description files (DD)	Information and files are available free of charge at: <a href="http://www.endress.com">www.endress.com</a> <a href="http://www.hartcomm.org">www.hartcomm.org</a>
Load (communication resistor)	min. 250 Ω

1) Not possible in the SIL mode, see Functional Safety Manual SD01172T/09

**Write protection for device parameters**

- Hardware: Write protection for head transmitter on optional display using DIP switch
- Software: Write protection using password

**Switch-on delay**

- Until start of HART® communication, approx. 10 s <sup>2)</sup>, with switch-on delay =  $I_a \leq 3.8 \text{ mA}$
- Until the first valid measured value signal is present at the current output, approx. 28 s, with switch-on delay =  $I_a \leq 3.8 \text{ mA}$

## Power supply

**Supply voltage**

Values for non-hazardous areas, protected against polarity reversal:

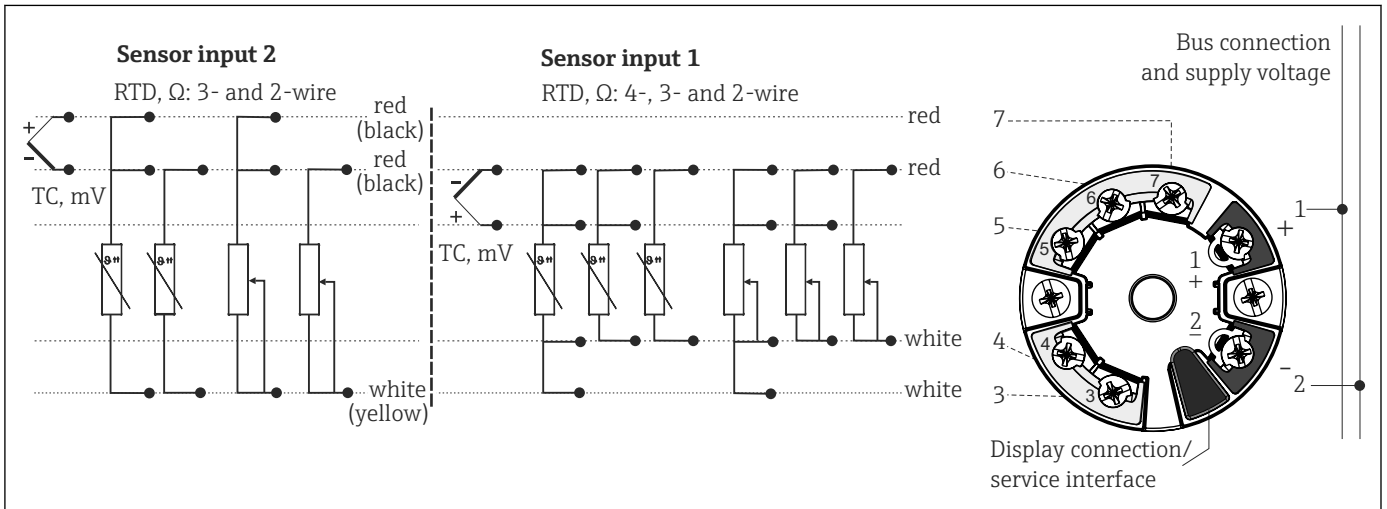
- Head transmitter
  - 11 V  $\leq$  Vcc  $\leq$  42 V (standard)
  - 11 V  $\leq$  Vcc  $\leq$  32 V (SIL mode)
  - I: < 22.5 mA
- DIN rail device
  - 12 V  $\leq$  Vcc  $\leq$  42 V (standard)
  - 12 V  $\leq$  Vcc  $\leq$  32 V (SIL mode)
  - I: < 22.5 mA

Values for hazardous areas, see Ex documentation (→ 21).

2) Does not apply for the SIL mode, see Functional Safety Manual SD01172T/09

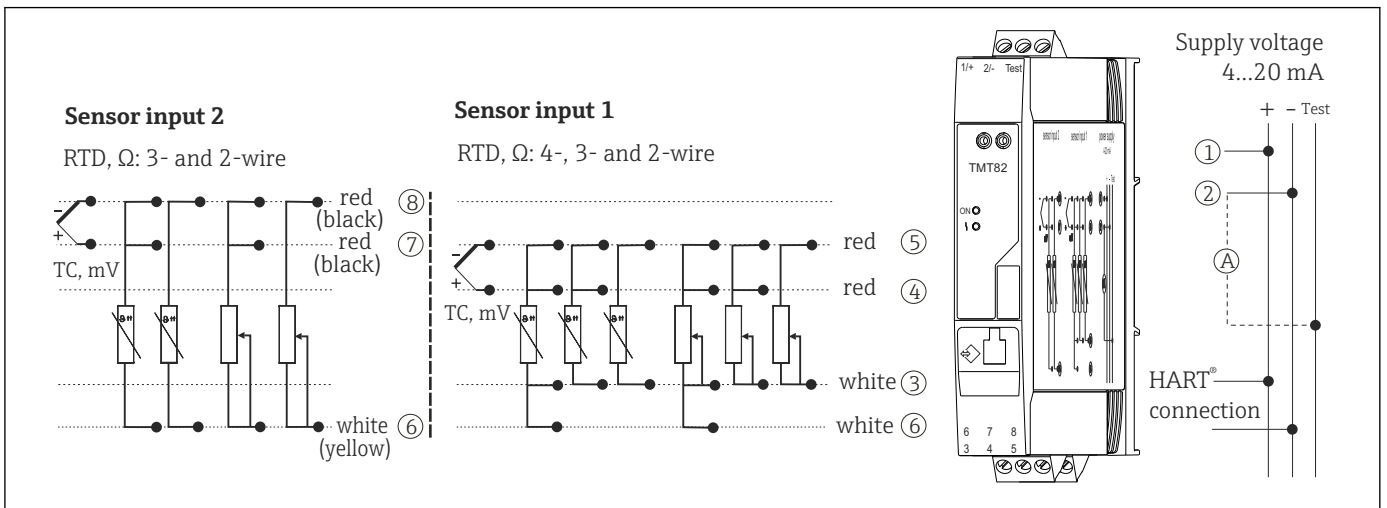
**Electrical connection**

*Head transmitter*



3 Assignment of terminal connections for head transmitter

*DIN rail device*



4 Assignment of terminal connections for DIN rail device

A To check the output current, an amperemeter (DC measurement) can be connected between the "Test" and "-" terminals.

On the sensor side, shielded cables must be used for the DIN rail transmitter from a length of 30 m (98.4 ft).

To operate the device via the HART® protocol (terminals 1 and 2) a minimum load of 250 Ω is required in the signal circuit.

**Current consumption**

- 3.6 to 23 mA
- Minimum current consumption 3.5 mA, multi-drop mode 4 mA (not possible in the SIL mode)
- Current limit ≤ 23 mA


**Terminals**

Choice of screw or spring terminals for sensor and fieldbus cables:

	Terminal version	Cable version	Cable cross-section
Head transmitter / DIN rail device	Screw terminals	Rigid or flexible	$\leq 2.5 \text{ mm}^2$ (14 AWG)
Head transmitter	Spring terminals (cable version, stripping length = min. 10 mm (0.39 in))	Rigid or flexible	0.2 to 1.5 mm <sup>2</sup> (24 to 16 AWG)
		Flexible with wire end ferrules without plastic ferrule	0.25 to 1.5 mm <sup>2</sup> (24 to 16 AWG)
		Flexible with wire end ferrules with plastic ferrule	0.25 to 0.75 mm <sup>2</sup> (24 to 18 AWG)

 When connecting flexible cables to spring terminals, it is recommended not to use wire end ferrules.


**Residual ripple**Permanent residual ripple  $U_{ss} \leq 3 \text{ V}$  at  $U_b \geq 13.5 \text{ V}$ ,  $f_{max.} = 1 \text{ kHz}$ **Performance characteristics**

 In order to obtain the established values in °F, the results in °C must be multiplied by a factor of 1.8.

**Response time**

The measured value update depends on the type of sensor and connection method and moves within the following ranges:

Resistance thermometer (RTD)	0.9 to 1.3 s (depends on the connection method 2/3/4-wire)
Thermocouples (TC)	0.8 s
Reference temperature	0.9 s

 When recording step responses, it must be taken into account that the times for the measurement of the second channel and the internal reference measuring point are added to the specified times where applicable.

**Reference conditions**

- Calibration temperature:  $+25 \text{ °C} \pm 3 \text{ K}$  ( $+77 \text{ °F} \pm 5.4 \text{ °F}$ )
- Supply voltage: 24 V DC
- 4-wire circuit for resistance adjustment

**Maximum measured error and repeatability**According to DIN EN 60770. The data concerning the various measured errors are typical values and correspond to a standard deviation of  $\pm 2 \sigma$  (Gaussian normal distribution). Over-all measured error of the device at current output = digital measured error + measured error D/A.

Resistance thermometer (RTD) according to standard	Designation	Measuring range limits	Measured error ( $\pm$ )		Repeatability ( $\pm$ )	
			Digital <sup>1)</sup>	D/A <sup>2)</sup>	Digital <sup>1)</sup>	D/A <sup>3)</sup>
IEC 60751:2008	Pt100 (1)	-200 to +850 °C (-328 to +1 562 °F)	$\leq 0.14 \text{ K}$ (0.25 °F)	0.03 %	$\leq 0.05 \text{ K}$ (0.09 °F)	0.01 % ( $\cong 2 \mu\text{A}$ )
	Pt200 (2)		$\leq 0.86 \text{ K}$ (1.55 °F)		$\leq 0.13 \text{ K}$ (0.23 °F)	
	Pt500 (3)	-200 to +500 °C (-328 to +932 °F)	$\leq 0.30 \text{ K}$ (0.54 °F)		$\leq 0.08 \text{ K}$ (0.14 °F)	
	Pt1000 (4)	-200 to +250 °C (-328 to +482 °F)	$\leq 0.14 \text{ K}$ (0.25 °F)		$\leq 0.05 \text{ K}$ (0.09 °F)	
JIS C1604:1984	Pt100 (5)	-200 to +510 °C (-328 to +950 °F)	$\leq 0.12 \text{ K}$ (0.22 °F)		$\leq 0.04 \text{ K}$ (0.07 °F)	



Resistance thermometer (RTD) according to standard	Designation	Measuring range limits	Measured error (±)		Repeatability (±)	
DIN 43760 IPTS-68	Ni100 (6)	-60 to +250 °C (-76 to +482 °F)	≤ 0.09 K (0.16 °F)	0.03 %	≤ 0.03 K (0.05 °F)	
	Ni120 (7)		≤ 0.07 K (0.13 °F)			
GOST 6651-94	Pt50 (8)	-185 to +1100 °C (-301 to +2012 °F)	≤ 0.30 K (0.54 °F)		≤ 0.05 K (0.09 °F)	
	Pt100 (9)	-200 to +850 °C (-328 to +1562 °F)	≤ 0.14 K (0.25 °F)		≤ 0.07 K (0.13 °F)	
OIML R84: 2003, GOST 6651-2009	Cu50 (10)	-180 to +200 °C (-292 to +392 °F)	≤ 0.19 K (0.34 °F)		≤ 0.04 K (0.07 °F)	
	Cu100 (11)	-180 to +200 °C (-292 to +392 °F)	≤ 0.09 K (0.16 °F)		≤ 0.03 K (0.05 °F)	
	Ni100 (12)	-60 to +180 °C (-76 to +356 °F)	≤ 0.09 K (0.16 °F)		≤ 0.07 K (0.13 °F)	
	Ni120 (13)	-60 to +180 °C (-76 to +356 °F)				
OIML R84: 2003, GOST 6651-94	Cu50 (14)	-50 to +200 °C (-58 to +392 °F)	≤ 0.19 K (0.34 °F)		15 mΩ ≤ 200 mΩ	
Resistance transmitters	Resistance Ω	10 to 400 Ω 10 to 2000 Ω	40 mΩ 500 mΩ		15 mΩ ≤ 200 mΩ	

- 1) Using HART® transmitted measured value.
- 2) Percentage data refer to the configured span of the analog output signal.
- 3) Percentage data refer to the current range of the analog output signal (20 mA).

Thermocouples (TC) according to standard	Designation	Measuring range limits	Measured error (±)		Repeatability (±)	
			Digital <sup>1)</sup>	D/A <sup>2)</sup>	Digital <sup>1)</sup>	D/A <sup>3)</sup>
IEC 60584, part 1	Typ A (W5Re-W20Re) (30)	0 to +2500 °C (+32 to +4532 °F)	≤ 1.62 K (2.92 °F)	0.03 %	≤ 0.52 K (0.94 °F)	0.01 % (≅ 2 μA)
	Typ B (PtRh30-PtRh6) (31)	+500 to +1820 °C (+932 to +3308 °F)	≤ 2.02 K (3.64 °F)		≤ 0.67 K (1.21 °F)	
	Typ E (NiCr-CuNi) (34)	-40 to +1000 °C (-40 to +1832 °F)	≤ 0.21 K (0.38 °F)		≤ 0.07 K (0.13 °F)	
	Typ J (Fe-CuNi) (35)	-40 to +1200 °C (-40 to +2192 °F)	≤ 0.26 K (0.47 °F)		≤ 0.08 K (0.14 °F)	
	Typ K (NiCr-Ni) (36)	-40 to +1200 °C (-40 to +2192 °F)	≤ 0.32 K (0.58 °F)		≤ 0.11 K (0.20 °F)	
	Typ N (NiCrSi-NiSi) (37)	-40 to +1300 °C (-40 to +2372 °F)	≤ 0.43 K (0.77 °F)		≤ 0.16 K (0.29 °F)	
	Typ R (PtRh13-Pt) (38)	0 to +1768 °C (+32 to +3214 °F)	≤ 1.92 K (3.46 °F)		≤ 0.76 K (1.37 °F)	
	Typ S (PtRh10-Pt) (39)	0 to +1768 °C (+32 to +3214 °F)	≤ 1.9 K (3.42 °F)		≤ 0.74 K (1.33 °F)	
IEC 60584, part 1; ASTM E988-96	Typ C (W5Re-W26Re) (32)	0 to +2000 °C (+32 to +3632 °F)	≤ 0.86 K (1.55 °F)	≤ 0.33 K (0.59 °F)		
ASTM E988-96	Typ D (W3Re-W25Re) (33)	0 to +2000 °C (+32 to +3632 °F)	≤ 1.05 K (1.89 °F)	≤ 0.41 K (0.74 °F)		
DIN 43710	Typ L (Fe-CuNi) (41)	+50 to +900 °C (+122 to +1652 °F)	≤ 0.26 K (0.47 °F)	≤ 0.07 K (0.13 °F)		
	Typ U (Cu-CuNi) (42)	+50 to +600 °C (+122 to +1112 °F)	≤ 0.24 K (0.43 °F)	≤ 0.10 K (0.18 °F)		
GOST R8.8585-2001	Typ L (NiCr-CuNi) (43)	-200 to +800 °C (-328 to +1472 °F)	≤ 2.27 K (4.09 °F)	≤ 0.15 K (0.27 °F)		
Voltage transmitter	Millivolt transmitter (mV)	-20 to 100 mV	10 μV	4 μV		

- 1) Using HART® transmitted measured value.
- 2) Percentage data refer to the configured span of the analog output signal.
- 3) Percentage data refer to the current range of the analog output signal (20 mA).

Sample calculation with Pt100, measuring range 0 to +200 °C (+32 to +392 °F), ambient temperature 25 °C (77 °F), supply voltage 24 V:

Measured error digital	0.14 K (0.25 °F)
Repeatability digital	0.05 K (0.09 °F)
Measured error D/A = 0.03 % of 200 K (360 °F)	0.06 K (0.108 °F)
Repeatability D/A = 0.01 % of 200 K (360 °F)	0.02 K (0.036 °F)
<b>Measured error digital value (HART):</b> $\sqrt{(\text{Measured error digital}^2 + \text{repeatability}^2)}$	<b>0.15 K (0.27 °F)</b>
<b>Measured error analog value (current output):</b> $\sqrt{(\text{Measured error digital}^2 + \text{repeatability}^2 + \text{Measured error D/A}^2)}$	<b>0.16 K (0.29 °F)</b>

Physical input measuring range of sensors	
10 to 400Ω	Cu50, Cu100, polynomial RTD, Pt50, Pt100, Ni100, Ni120
10 to 2 000 Ω	Pt200, Pt500, Pt1000
-20 to 100 mV	Thermocouples type: A, B, C, D, E, J, K, L, N, R, S, T, U



In the SIL mode other measured errors are applied.



Detailed information see Functional Safety Manual SD01172T/09.

## Sensor adjustment

### Sensor transmitter matching

RTD sensors are one of the most linear temperature measuring elements. Nevertheless, the output must be linearized. To significantly improve temperature measurement accuracy, the device allows the use of two methods:

- Callendar-Van-Dusen coefficients (Pt100 resistance thermometer)

The Callendar-Van-Dusen equation is described as:

$$R_T = R_0 [1 + AT + BT^2 + C(T - 100)T^3]$$

The coefficients A, B and C are used to match the sensor (platinum) and transmitter in order to improve the accuracy of the measuring system. The coefficients for a standard sensor are specified in IEC 751. If no standard sensor is available or if greater accuracy is required, the coefficients for each sensor can be determined specifically with the aid of sensor calibration.

- Linearization for copper/nickel resistance thermometers (RTD)

The polynomial equation for copper/nickel is as follows:

$$R_T = R_0 (1 + AT + BT^2)$$

The coefficients A and B are used for the linearization of nickel or copper resistance thermometers (RTD). The exact values of the coefficients derive from the calibration data and are specific to each sensor. The sensor-specific coefficients are then sent to the transmitter.

Sensor transmitter matching using one of the methods explained above significantly improves the temperature measurement accuracy of the entire system. This is because the transmitter uses the specific data pertaining to the connected sensor to calculate the measured temperature, instead of using the standardized sensor curve data.

### 1-point adjustment (offset)

Shifts the sensor value

### 2-point adjustment (sensor trimming)

Correction (slope and offset) of the measured sensor value at transmitter input

## Current output adjustment

Correction of the 4 or 20 mA current output value (not possible in the SIL mode)

**Operational influences**

The data concerning the various measured errors are typical values and correspond to a standard deviation of  $\pm 2 \sigma$  (Gaussian normal distribution). Over-all measured error of the device at current output = digital measured error + measured error D/A.

Considered operational influences:

- Long term drift
- Influence of ambient temperature
- Influence of the supply voltage

Resistance thermometer (RTD) according to standard	Designation	Ambient temperature: effect ( $\pm$ ) when ambient temperature changes by 1 °C (1.8 °F)		Supply voltage: effect ( $\pm$ ) when supply voltage changes by 1 V		Long term drift: effect ( $\pm$ ) per year	
		Digital <sup>1)</sup>	D/A <sup>2)</sup>	Digital <sup>1)</sup>	D/A <sup>2)</sup>	Digital <sup>1)</sup>	D/A <sup>2)</sup>
2-, 3-, 4-wire RTD		Digital <sup>1)</sup>	D/A <sup>2)</sup>	Digital <sup>1)</sup>	D/A <sup>2)</sup>	Digital <sup>1)</sup>	D/A <sup>2)</sup>
IEC 60751:2008	Pt100 (1)	$\leq 0.02$ K (0.04 °F)	0.001 %	$\leq 0.02$ K (0.04 °F)	0.001 %	$\leq 0.16$ K (0.29 °F)	0.017 %
	Pt200 (2)	$\leq 0.03$ K (0.05 °F)		$\leq 0.03$ K (0.05 °F)		$\leq 0.5$ K (0.9 °F)	
	Pt500 (3)	$\leq 0.01$ K (0.02 °F)		$\leq 0.01$ K (0.02 °F)		$\leq 0.2$ K (0.36 °F)	
	Pt1000 (4)					$\leq 0.1$ K (0.18 °F)	
JIS C1604:1984	Pt100 (5)	$\leq 0.01$ K (0.02 °F)		$\leq 0.01$ K (0.02 °F)		$\leq 0.14$ K (0.25 °F)	
DIN 43760 IPTS-68	Ni100 (6)	$\leq 0.01$ K (0.02 °F)		$\leq 0.01$ K (0.02 °F)		$\leq 0.1$ K (0.18 °F)	
	Ni120 (7)					$\leq 0.4$ K (0.72 °F)	
GOST 6651-94	Pt50 (8)	$\leq 0.03$ K (0.05 °F)		$\leq 0.03$ K (0.05 °F)		$\leq 0.16$ K (0.29 °F)	
	Pt100 (9)	$\leq 0.02$ K (0.04 °F)		$\leq 0.02$ K (0.04 °F)		$\leq 0.23$ K (0.41 °F)	
OIML R84: 2003, GOST 6651-2009	Cu50 (10)	$\leq 0.01$ K (0.02 °F)		$\leq 0.01$ K (0.02 °F)		$\leq 0.12$ K (0.22 °F)	
	Cu100 (11)					$\leq 0.12$ K (0.22 °F)	
	Ni100 (12)					$\leq 0.09$ K (0.16 °F)	
	Ni120 (13)					$\leq 0.23$ K (0.41 °F)	
OIML R84: 2003, GOST 6651-94	Cu50 (14)	$\leq 0.01$ K (0.02 °F)		$\leq 0.01$ K (0.02 °F)		$\leq 0.23$ K (0.41 °F)	
Resistance transmitters	10 to 400 $\Omega$	$\leq 6$ m $\Omega$	$\leq 6$ m $\Omega$	48 m $\Omega$			
	10 to 2 000 $\Omega$	$\leq 30$ m $\Omega$	$\leq 30$ m $\Omega$	290 m $\Omega$			

1) Using HART® transmitted measured value.

2) Percentage data refer to the configured span of the analog output signal.

Thermocouple (TC) according to standard	Designation	Ambient temperature: effect ( $\pm$ ) when ambient temperature changes by 1 °C (1.8 °F)		Supply voltage: effect ( $\pm$ ) when supply voltage changes by 1 V		Long term drift: effect ( $\pm$ ) per year	
		Digital <sup>1)</sup>	D/A <sup>2)</sup>	Digital <sup>1)</sup>	D/A <sup>2)</sup>	Digital <sup>1)</sup>	D/A <sup>2)</sup>
IEC 60584, part 1	Typ A (W5Re-W20Re) (30)	$\leq 0.13$ K (0.23 °F)	0.001 %	$\leq 0.13$ K (0.23 °F)	0.001 %	$\leq 1.3$ K (2.34 °F)	0.017 %
	Typ B (PtRh30-PtRh6) (31)	$\leq 0.01$ K (0.02 °F)		$\leq 0.01$ K (0.02 °F)		$\leq 1.7$ K (3.06 °F)	
	Typ E (NiCr-CuNi) (34)	$\leq 0.03$ K (0.05 °F)		$\leq 0.03$ K (0.05 °F)		$\leq 0.2$ K (0.36 °F)	
	Typ J (Fe-CuNi) (35)	$\leq 0.04$ K (0.07 °F)		$\leq 0.04$ K (0.07 °F)		$\leq 0.3$ K (0.54 °F)	
	Typ K (NiCr-Ni) (36)	$\leq 0.04$ K (0.07 °F)		$\leq 0.04$ K (0.07 °F)		$\leq 0.4$ K (0.72 °F)	
	Typ N (NiCrSi-NiSi) (37)	$\leq 0.01$ K (0.02 °F)		$\leq 0.05$ K (0.09 °F)		$\leq 1.9$ K (3.42 °F)	
	Typ R (PtRh13-Pt) (38)	$\leq 0.01$ K (0.02 °F)		$\leq 0.01$ K (0.02 °F)		$\leq 0.3$ K (0.54 °F)	
	Typ S (PtRh10-Pt) (39)	$\leq 0.01$ K (0.02 °F)		$\leq 0.01$ K (0.02 °F)		$\leq 0.3$ K (0.54 °F)	
	Typ T (Cu-CuNi) (40)	$\leq 0.01$ K (0.02 °F)		$\leq 0.01$ K (0.02 °F)		$\leq 0.3$ K (0.54 °F)	
IEC 60584, part 1; ASTM E988-96	Typ C (W5Re-W26Re) (32)	$\leq 0.08$ K (0.14 °F)	$\leq 0.08$ K (0.14 °F)	$\leq 0.8$ K (1.44 °F)			

Thermocouple (TC) according to standard	Designation	Ambient temperature: effect (±) when ambient temperature changes by 1 °C (1.8 °F)		Supply voltage: effect (±) when supply voltage changes by 1 V		Long term drift: effect (±) per year	
ASTM E988-96	Typ D (W3Re-W25Re) (33)					≤ 1 K (1.8 °F)	
DIN 43710	Typ L (Fe-CuNi) (41)	≤ 0.03 K (0.05 °F)		≤ 0.03 K (0.05 °F)		≤ 0.2 K (0.36 °F)	
	Typ U (Cu-CuNi) (42)	≤ 0.02 K (0.04 °F)		≤ 0.02 K (0.04 °F)		≤ 0.3 K (0.54 °F)	
GOST R8.8585-2001	Typ L (NiCr-CuNi) (43)	≤ 0.03 K (0.05 °F)		≤ 0.03 K (0.05 °F)		≤ 0.4 K (0.72 °F)	
<b>Voltage transmitter</b>	Millivolt transmitter (mV)	≤ 3 µV		≤ 3 µV		≤ 10 µV	

- 1) Using HART® transmitted measured value.
- 2) Percentage data refer to the configured span of the analog output signal.

Sample calculation with Pt100, measuring range 0 to +200 °C (+32 to +392 °F), ambient temperature 35 °C (95 °F), supply voltage 30 V:

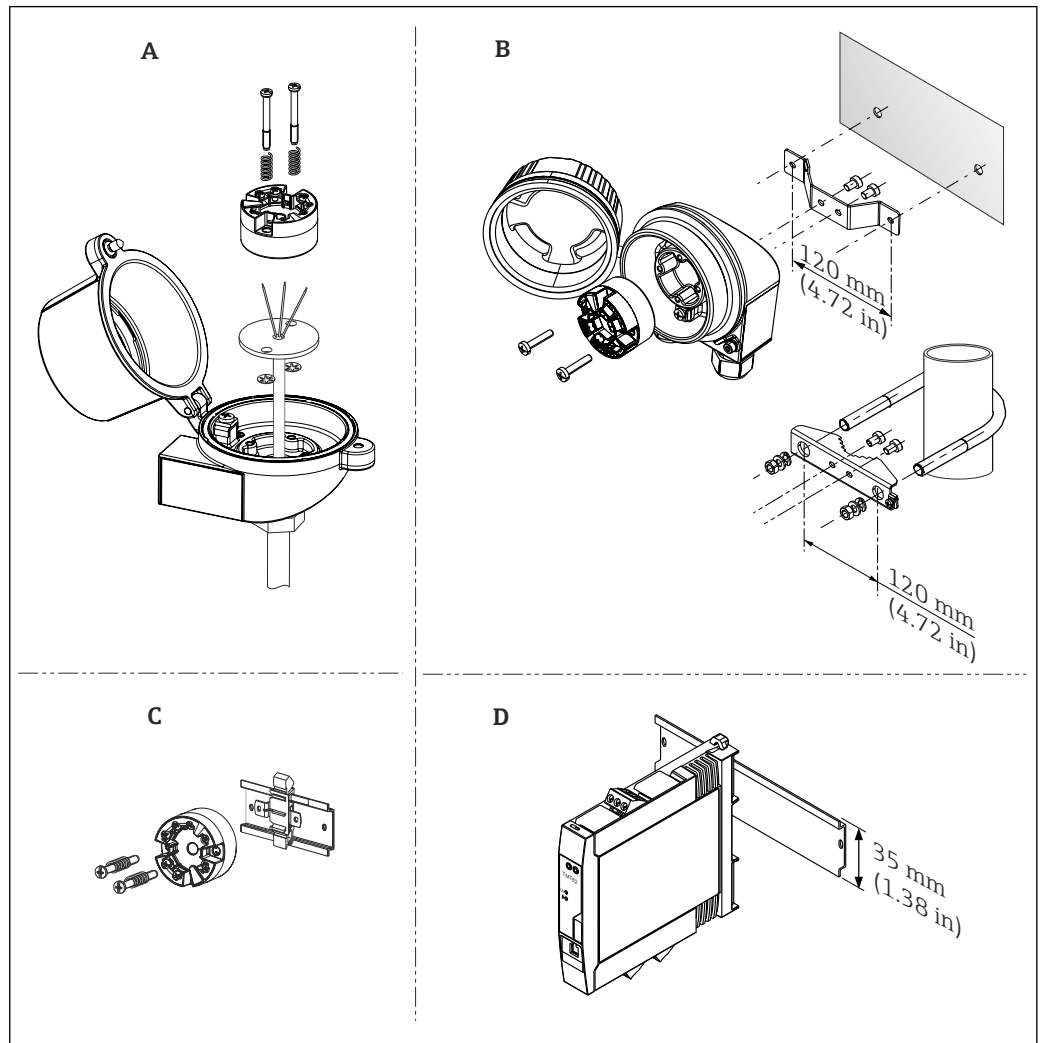
Measured error digital	0.14 K (0.25 °F)
Repeatability digital	0.05 K (0.09 °F)
Measured error D/A = 0.03 % of 200 K (360 °F)	0.06 K (0.108 °F)
Repeatability D/A = 0.01 % of 200 K (360 °F)	0.02 K (0.036 °F)
Influence of ambient temperature (digital), 0.02 °C/K: (35 °C - 25 °C) x 0.02 °C/K	0.2 K (0.36 °F)
Influence of ambient temperature (D/A), 0.001 %/K: (35 °C - 25 °C) x (0.001 % of 200 °C)	0.02 K (0.036 °F)
Influence of supply voltage (digital), 0.02 K/V: (30 V - 24 V) x 0.02 K/V	0.12 K (0.216 °F)
Influence of supply voltage (D/A), 0.001 %/V: (30 V - 24 V) x (0.001 % of 200 °C)	0.012 K (0.0216 °F)
<b>Measured error digital value (HART):</b> $\sqrt{(\text{Measured error digital}^2 + \text{repeatability}^2 + \text{influence of ambient temperature (digital)}^2 + \text{influence of supply voltage (digital)}^2)}$	<b>0.28 K (0.50 °F)</b>
<b>Measured error analog value (current output):</b> $\sqrt{(\text{Measured error digital}^2 + \text{repeatability}^2 + \text{influence of ambient temperature (digital)}^2 + \text{influence of ambient temperature (D/A)}^2 + \text{influence of supply voltage (digital)}^2 + \text{influence of supply voltage (D/A)}^2)}$	<b>0.29 K (0.52 °F)</b>

**Influence of the reference junction (internal cold junction)**

Pt100 DIN IEC 60751 Cl. B (internal cold junction with thermocouples TC)

## Installation

### Installation instructions



A0017817

#### 5 Installation options for transmitter

- A Terminal head, flat face as per DIN EN 50446, direct installation onto insert with cable entry (middle hole 7 mm (0.28 in))
- B Separated from process in field housing, wall or pipe mounting
- C With clip on DIN rail as per IEC 60715 (TH35)
- D DIN rail device for mounting on a TH35 mounting rail as per EN 60715

Orientation: No restrictions

## Environment

### Ambient temperature

- -40 to +85 °C (-40 to +185 °F), for hazardous areas see Ex documentation (→ 21)
- SIL operation -40 to +70 °C (-40 to +158 °F)

### Storage temperature

- Head transmitter: -50 to +100 °C (-58 to +212 °F)
- DIN rail device: -40 to +100 °C (-40 to +212 °F)

### Altitude

Up to 4000 m (4374.5 yards) above mean sea level as per IEC 61010-1, CAN/CSA C22.2 No. 61010-1

**Climate class**

- Head transmitter: Class C1 according to EN 60654-1
- DIN rail device: Class B2 according to EN 60654-1

**Humidity**

- Condensation according to IEC 60 068-2-33:
  - Head transmitter permitted
  - DIN rail device not permitted
- Max. rel. humidity: 95% according to IEC 60068-2-30

**Degree of protection**

- With screw terminals: IP 20. In the installed state, it depends on the terminal head or field housing used.
- When installing in field housing TA30A, TA30D or TA30H: IP 66/67 (NEMA Type 4x encl.)
- DIN rail device: IP 20

**Shock and vibration resistance**

Vibration resistance as per GL guideline, section 2, issue 3B, paragraph 9. Vibration and IEC 60068-2-27 and IEC 60068-2-6

- Head transmitter: 25 to 100 Hz for 4g (increased vibration stress)
- DIN rail device: 25 to 100 Hz for "0.7g" (common vibration stress)

Shock resistance according to KTA 3505 (issue 5.8.4 shock test)

**Electromagnetic compatibility (EMC)**

**CE compliance**

Electromagnetic compatibility in accordance with all the relevant requirements of the EN 61326 series and NAMUR Recommendation EMC (NE21). For details refer to the Declaration of Conformity. All tests were passed both with and without ongoing digital HART® communication.

ESD (electrostatic discharge)	EN/IEC 61000-4-2		6 kV cont., 8 kV air
Electromagnetic fields	EN/IEC 61000-4-3	0.08 to 2.7 GHz	10 V/m
Burst (fast transients)	EN/IEC 61000-4-4		2 kV
Surge (surge voltage)	EN/IEC 61000-4-5		0.5 kV sym. 1 kV assym.
Conducted RF	EN/IEC 61000-4-6	0.01 to 80 MHz	10 V

Maximum measured error < 1% of the measuring range.

**Measuring category**

Measuring category II as per IEC 61010-1. The measuring category is provided for measuring on power circuits that are directly connected electrically with the low-voltage network.

**Degree of contamination**

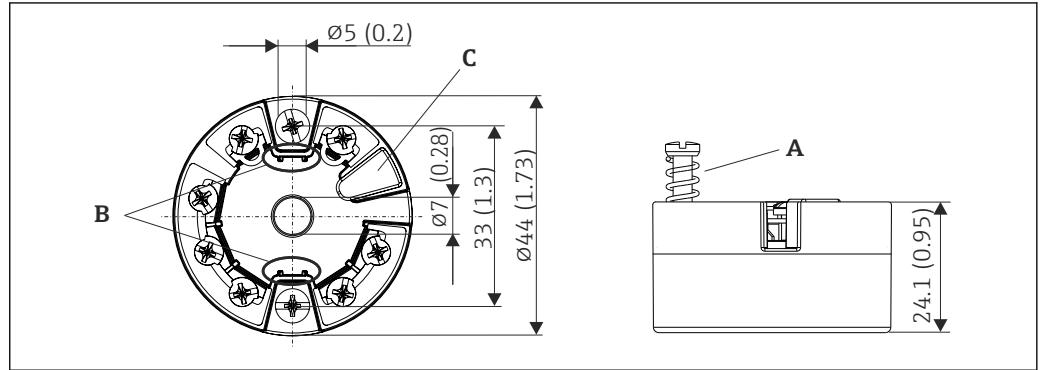
Pollution degree 2 as per IEC 61010-1.

## Mechanical construction

### Design, dimensions

Dimensions in mm (in)

#### Head transmitter



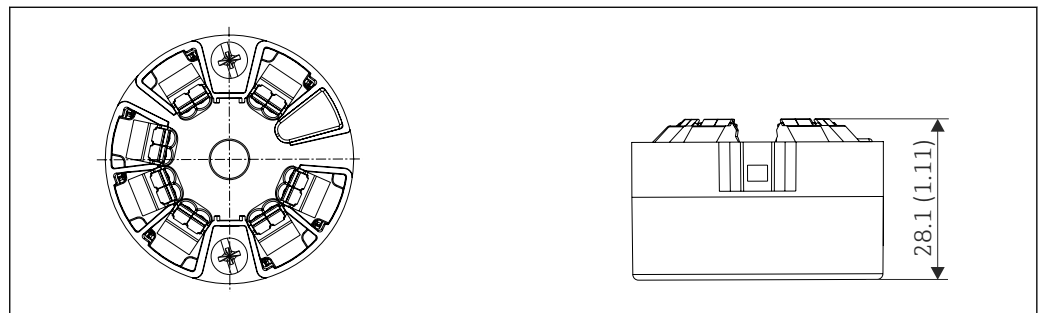
A0007301

#### 6 Version with screw terminals

A Spring travel  $L \geq 5$  mm (not for US - M4 securing screws)

B Mounting elements for attachable measured value display TID10

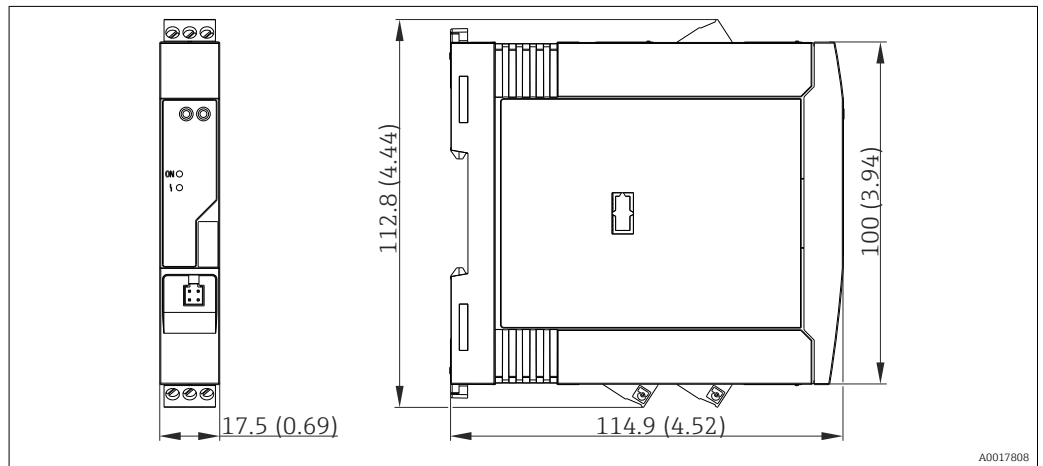
C Service interface for connecting measured value display or configuration tool



A0007672

#### 7 Version with spring terminals. Dimensions are identical to the version with screw terminals, apart from housing height.

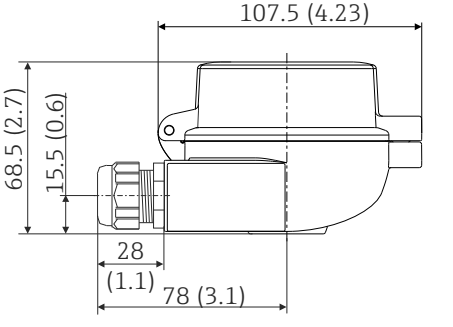
#### DIN rail device

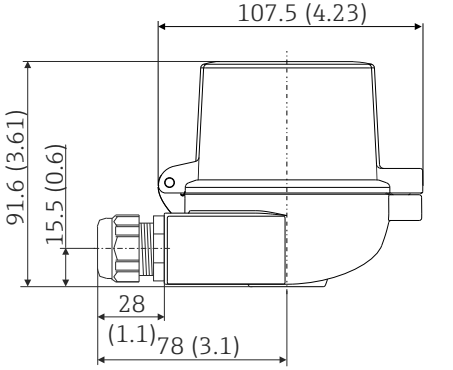


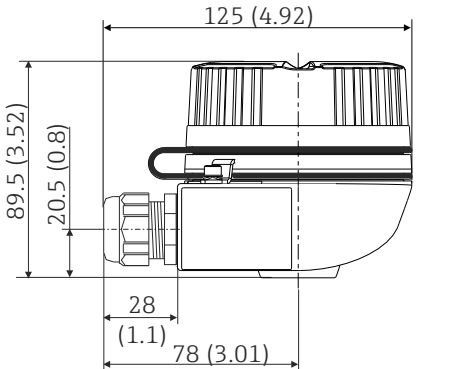
A0017808

### Field housing

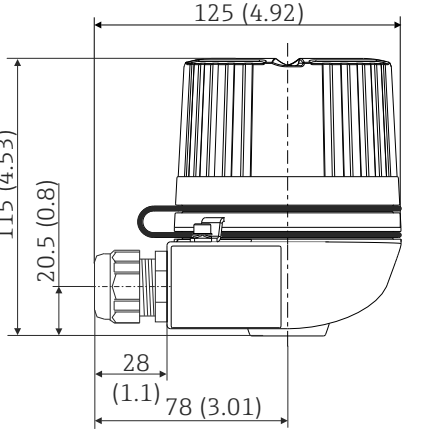
All field housings have an internal shape and size in accordance with DIN EN 50446, flat face. Cable glands in the diagrams: M20x1.5

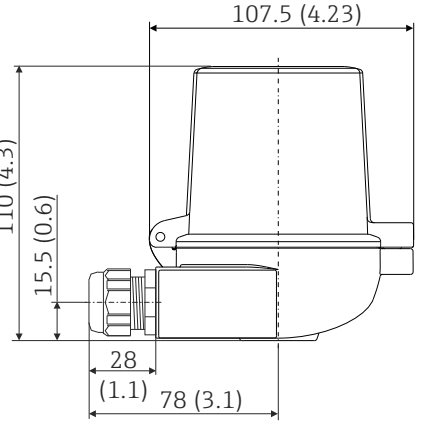
TA30A	Specification
 <p style="text-align: right; font-size: small;">A0009820</p>	<ul style="list-style-type: none"> <li>■ Two cable entries</li> <li>■ Temperature: -50 to +150 °C (-58 to +302 °F) without cable gland</li> <li>■ Material: aluminum, polyester powder coated</li> <li>■ Seals: silicone</li> <li>■ Cable entry glands: 1/2" NPT and M20x1.5</li> <li>■ Color of head: blue, RAL 5012</li> <li>■ Color of cap: gray, RAL 7035</li> <li>■ Weight: 330 g (11.64 oz)</li> </ul>

TA30A with display window in cover	Specification
 <p style="text-align: right; font-size: small;">A0009821</p>	<ul style="list-style-type: none"> <li>■ Two cable entries</li> <li>■ Temperature: -50 to +150 °C (-58 to +302 °F) without cable gland</li> <li>■ Material: aluminum, polyester powder coated</li> <li>■ Seals: silicone</li> <li>■ Cable entry glands: 1/2" NPT and M20x1.5</li> <li>■ Color of head: blue, RAL 5012</li> <li>■ Color of cap: gray, RAL 7035</li> <li>■ Weight: 420 g (14.81 oz)</li> </ul>

TA30H	Specification
 <p style="text-align: right; font-size: small;">A0009832</p>	<ul style="list-style-type: none"> <li>■ Flameproof (XP) version, explosion-protected, captive screw cap, with two cable entries</li> <li>■ Temperature: -50 to +150 °C (-58 to +302 °F) for rubber seal without cable gland (observe max. permitted temperature of cable gland!)</li> <li>■ Material: aluminum; polyester powder coated</li> <li>■ Cable entry glands: 1/2" NPT, M20x1.5</li> <li>■ Color of head: blue, RAL 5012</li> <li>■ Color of cap: gray, RAL 7035</li> <li>■ Weight: approx. 640 g (22.6 oz)</li> </ul>



TA30H with display window in cover	Specification
	<ul style="list-style-type: none"> <li>■ Flameproof (XP) version, explosion-protected, captive screw cap, with two cable entries</li> <li>■ Temperature: -50 to +150 °C (-58 to +302 °F) for rubber seal without cable gland (observe max. permitted temperature of cable gland!)</li> <li>■ Material: aluminum; polyester powder coated</li> <li>■ Cable entry glands: ½" NPT, M20x1.5</li> <li>■ Color of head: blue, RAL 5012</li> <li>■ Color of cap: gray, RAL 7035</li> <li>■ Weight: approx. 860 g (30.33 oz)</li> </ul>

TA30D	Specification
	<ul style="list-style-type: none"> <li>■ 2 cable entries</li> <li>■ Temperature: -50 to +150 °C (-58 to +302 °F) without cable gland</li> <li>■ Material: aluminum, polyester powder coated</li> <li>■ Seals: silicone</li> <li>■ Cable entry glands: 1/2" NPT and M20x1.5</li> <li>■ Two head transmitters can be mounted. In the standard configuration one transmitter is mounted in the terminal head cover and an additional terminal block is installed directly on the insert.</li> <li>■ Color of head: blue, RAL 5012</li> <li>■ Color of cap: gray, RAL 7035</li> <li>■ Weight: 390 g (13.75 oz)</li> </ul>

Maximum ambient temperatures for cable glands	
Type	Temperature range
Polyamide cable gland ½" NPT, M20x1.5 (non-Ex)	-40 to +100 °C (-40 to 212 °F)
Polyamide cable gland M20x1.5 (for dust ignition-proof area)	-20 to +95 °C (-4 to 203 °F)
Brass cable gland ½" NPT, M20x1.5 (for dust ignition-proof area)	-20 to +130 °C (-4 to +266 °F)

**Weight**

- Head transmitter: approx. 40 to 50 g (1.4 to 1.8 oz)
- Field housing: see specifications
- DIN rail device: approx. 100 g (3.53 oz)

**Materials**

All the materials used are RoHS-compliant.

- Housing: polycarbonate (PC), corresponds to UL94, V-2 UL recognized
- Terminals:
  - Screw terminals: nickel-plated brass and gold-plated contacts
  - Spring terminals (head transmitter): tin-plated brass, contact springs 1.4310, 301 (AISI)
- Potting (head transmitter): WEVO PU 403 FP / FL

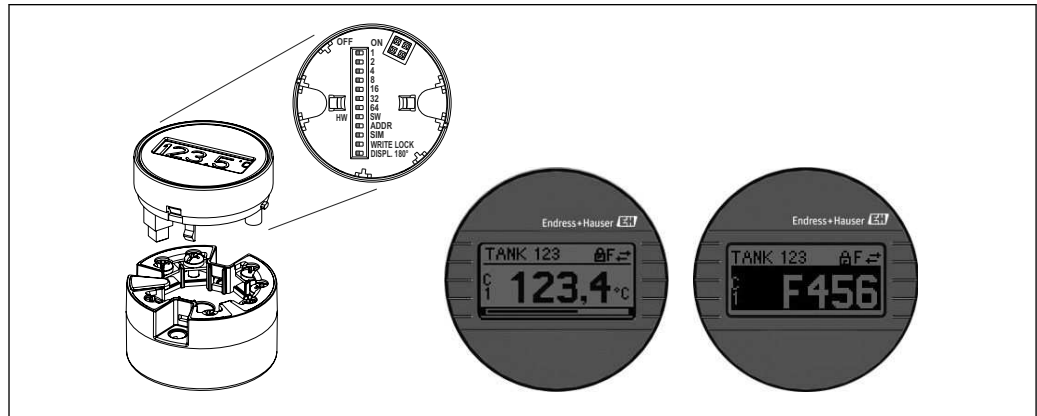
Field housing: see specifications

## Operability

### Local operation

#### Head transmitter

The head transmitter has no display or operating elements. There is the option of using the attachable measured value display TID10 together with the head transmitter. The display provides plain-text information on the current measured value and the measuring point identification. An optional bar graph is also used. In the event of a fault in the measurement chain, this will be displayed in inverse color showing the channel ident and error number. DIP switches can be found on the rear of the display. These enable hardware settings to be made e.g. write protection.



A0020347

8 Attachable measured value display TID10 with bar graph indicator (optional)

**i** If the head transmitter is installed in a field housing and used with a display, an enclosure with a glass window in the cover must be used.

#### DIN rail device

	1:	HART® communication jacks (2 mm) for commissioning and configuration	
	2:	Power LED	An illuminated green LED indicates that the voltage supply is correct
	3:	Status LED	Off: no diagnostic message Red illuminated: Category F diagnostic message Red flashing: Category C, S or M diagnostic message
	4:	Service interface	For connecting a configuration tool (not in SIL mode)

A0017950

9

DIN rail device TMT82

### Remote operation

The configuration of HART® functions and of device-specific parameters takes place via HART® communication or the service interface of the device. There are special configuration tools from different manufacturers available for this purpose. For more information, contact your Endress + Hauser sales representative.

## Certificates and approvals

<b>CE mark</b>	The measuring system meets the legal requirements of the EC guidelines. The manufacturer confirms that the device conforms to all relevant guidelines by affixing the CE mark.
<b>Ex approval</b>	Information about currently available Ex versions (ATEX, FM, CSA, etc.) can be supplied by your E+H Sales Center on request. All explosion protection data are given in separate documentation which is available upon request.
<b>Equipment safety UL</b>	Equipment safety as per UL61010-1, 2nd Edition
<b>CSA GP</b>	CAN/CSA-C22.2 No. 61010-1, 2nd Edition
<b>Functional safety</b>	<b>SIL 2/3 (hardware/software) certified to:</b> <ul style="list-style-type: none"> <li>▪ IEC 61508-1:2010 (Management)</li> <li>▪ IEC 61508-2:2010 (Hardware)</li> <li>▪ IEC 61508-3:2010 (Software)</li> </ul>
<b>HART® certification</b>	The temperature transmitter is registered by the HART® Communication Foundation. The device meets the requirements of the HART® Communication Protocol Specifications, Revision 7.0.

## Ordering information

Detailed ordering information is available from the following sources:

- In the Product Configurator on the Endress+Hauser website: [www.endress.com](http://www.endress.com) → Select country → Instruments → Select device → Product page function: Configure this product
- From your Endress+Hauser Sales Center: [www.endress.com/worldwide](http://www.endress.com/worldwide)



### Product Configurator - the tool for individual product configuration

- Up-to-the-minute configuration data
- Depending on the device: Direct input of measuring point-specific information such as measuring range or operating language
- Automatic verification of exclusion criteria
- Automatic creation of the order code and its breakdown in PDF or Excel output format
- Ability to order directly in the Endress+Hauser Online Shop

## Accessories

Various accessories, which can be ordered with the device or subsequently from Endress+Hauser, are available for the device. Detailed information on the order code in question is available from your local Endress+Hauser sales center or on the product page of the Endress+Hauser website: [www.endress.com](http://www.endress.com).

Accessories included in the scope of delivery:






- Multilingual Brief Operating Instructions as hard copy
- Operating Instructions and optional Functional Safety Manual (SIL mode) on CD-ROM
- ATEX supplementary documentation: ATEX Safety instructions (XA), Control Drawings (CD)
- Mounting material for head transmitter

### Device-specific accessories

Accessories
Display unit TID10 for Endress+Hauser head transmitter iTEMP® TMT8x, attachable
TID10 service cable; connecting cable for service interface, 40 cm
Field housing TA30x for Endress+Hauser head transmitter
Adapter for DIN rail mounting, clip as per IEC 60715 (TH35) without securing screws
Standard - DIN mounting set (2 screws + springs, 4 securing disks and 1 display connector cover)


Accessories
US - M4 Mounting screws (2 M4 screws and 1 display connector cover)
Stainless steel wall mounting bracket Stainless steel pipe mounting bracket

### Communication-specific accessories








Accessories	Description
Commubox FXA195 HART	For intrinsically safe HART® communication with FieldCare via the USB interface.  For details, see Technical Information TI404F/00
Commubox FXA291	Connects Endress+Hauser field devices with a CDI interface (= Endress+Hauser Common Data Interface) and the USB port of a computer or laptop.  For details, see Technical Information TI405C/07
WirelessHART adapter	Is used for the wireless connection of field devices. The WirelessHART® adapter can be easily integrated into field devices and existing infrastructures, offers data protection and transmission safety and can be operated in parallel with other wireless networks.  For details, see Operating Instructions BA061S/04
Fieldgate FXA320	Gateway for accessing connected 4-20 mA measuring devices via a web browser.  For details, see Technical Information TI025S/04
Fieldgate FXA520	Gateway for accessing connected HART® measuring devices via a web browser.  For details, see Technical Information TI025S/04

### Service-specific accessories

Accessories	Description
Applicator	Software for selecting and sizing Endress+Hauser measuring devices: <ul style="list-style-type: none"> <li>Calculation of all the necessary data for identifying the optimum measuring device: e.g. pressure loss, accuracy or process connections.</li> <li>Graphic illustration of the calculation results</li> </ul> Administration, documentation and access to all project-related data and parameters over the entire life cycle of a project. Applicator is available: <ul style="list-style-type: none"> <li>Via the Internet: <a href="https://wapps.endress.com/applicator">https://wapps.endress.com/applicator</a></li> <li>On CD-ROM for local PC installation.</li> </ul>
Konfigurator <sup>+temperature</sup>	Software for selecting and configuring the product depending on the measuring task, supported by graphics. Includes a comprehensive knowledge database and calculation tools: <ul style="list-style-type: none"> <li>For temperature competence</li> <li>Quick and easy design and sizing of temperature measuring points</li> <li>Ideal measuring point design and sizing to suit the processes and needs of a wide range of industries</li> </ul> The Konfigurator is available: On request from your Endress+Hauser sales office on a CD-ROM for local PC installation.
W@M	Life cycle management for your plant W@M supports you with a wide range of software applications over the entire process: from planning and procurement, to the installation, commissioning and operation of the measuring devices. All the relevant device information, such as the device status, spare parts and device-specific documentation, is available for every device over the entire life cycle. The application already contains the data of your Endress+Hauser device. Endress+Hauser also takes care of maintaining and updating the data records. W@M is available: <ul style="list-style-type: none"> <li>Via the Internet: <a href="http://www.endress.com/lifecyclemanagement">www.endress.com/lifecyclemanagement</a></li> <li>On CD-ROM for local PC installation.</li> </ul>

FieldCare	<p>FDT-based plant asset management tool from Endress+Hauser. It can configure all smart field units in your system and helps you manage them. By using the status information, it is also a simple but effective way of checking their status and condition.</p> <p> For details, see Operating Instructions BA00027S and BA00059S</p>
-----------	--------------------------------------------------------------------------------------------------------------------------------------------------------------------------------------------------------------------------------------------------------------------------------------------------------------------------------------------------------------------------------------------------------------------------

## System components

Accessories	Description
Graphic Data Manager Memograph M	<p>The Memograph M graphic data manager provides information on all the relevant process variables. Measured values are recorded correctly, limit values are monitored and measuring points analyzed. The data are stored in the 256 MB internal memory and also on a SD card or USB stick.</p> <p> For details, see Technical Information TI133R/09</p>
Paperless recorder Ecograph T	<p>Multi-channel data recording system with LC color graphic display (120 mm / 4.7" screen size), galvanically isolated universal inputs (U, I, TC, RTD), digital input, transmitter power supply, limit relay, communication interfaces (USB, Ethernet, RS232/485), Internal flash memory and compact flash card.</p> <p> For details, see Technical Information TI115R/09</p>
RN221N	<p>Active barrier with power supply for safe separation of 4 to 20 mA standard signal circuits. Has bidirectional HART® transmission and optional HART® diagnosis if transmitters are connected with monitoring of 4 to 20 mA signal or HART® status byte analysis and an E+H-specific diagnostic command.</p> <p> For details, see Technical Information TI073R/09</p>
RNS221	<p>Supply unit for powering two 2-wire measuring devices solely in the non-Ex area. Bidirectional communication is possible via the HART® communication jacks.</p> <p> For details, see Technical Information TI081R/09</p>
RB223	<p>One- or two-channel, loop-powered barrier for safe separation of 4 to 20 mA standard signal circuits. Bidirectional communication is possible via the HART communication jacks.</p> <p> For details, see Technical Information TI132R/09</p>
RIA14, RIA16	<p>Loop-powered field indicator for 4 to 20 mA circuit, RIA14 in flameproof metal enclosure</p> <p> For details, see Technical Information TI143R/09 and TI144R/09</p>
RIA15	<p>Process display, digital loop-powered display for 4 to 20 mA circuit, panel mounting, with optional HART® communication. Displays 4 to 20 mA or up to 4 HART® process variables</p> <p> For details, see Technical Information TI01043K/09</p>

## Documentation

- Operating Instructions 'iTEMP® TMT82' (BA01028T/09/en) on CD-ROM and hard copy of associated Brief Operating Instructions 'iTEMP® TMT82' (KA01095T/09/en)
- Functional Safety Manual 'iTEMP® TMT82' (SD01172T/09/en) on CD-ROM
- Supplementary ATEX documentation:
  - ATEX II 1G Ex ia IIC: XA00102T/09/a3
  - ATEX II2G Ex d IIC: XA01007T/09/a3 (transmitter in field housing)
  - ATEX II2(1)G Ex ia IIC: XA01012T/09/a3 (transmitter in field housing)

---

---

[www.addresses.endress.com](http://www.addresses.endress.com)

---