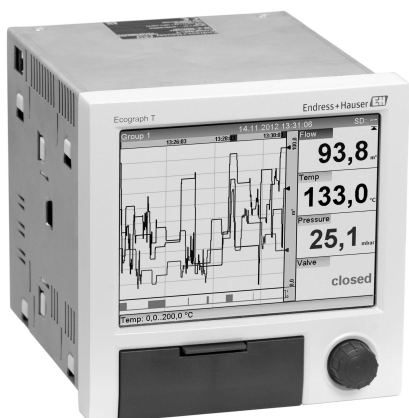


Technical Information

Ecograph T, RSG35

Universal Data Manager



Record, visualize and monitor

Application

The Ecograph T graphic display recorder records and visualizes relevant process values via analog or digital input signals. The measured values are securely saved and limit values are monitored. Furthermore the Ecograph T offers intuitive operation and simple system integration. Remote configuration and visualization of the current and recorded data is easy thanks to the integrated web server - no additional software needs to be installed. In addition the Essential Version of the Field Data Manager software is also supplied with the product as standard. This software can be used to export the recorded data, save the data to an SQL database in a way that the data cannot be manipulated, and visualize the data externally.

The Ecograph T is the right solution for a wide range of applications such as:

- Quality and quantity monitoring in the water and wastewater industry
- Monitoring of processes in power stations
- Displaying and recording of critical process parameters
- Tank and level monitoring
- Temperature monitoring in metal working

Your benefits

- Versatile: up to 12 universal inputs record a wide range of measuring signals
- Clear layout: 5.7" TFT screen for displaying measured values in a maximum of four groups, with digital, bar graph and curve display
- Fast: 100 ms scan rate for all channels
- Compact: low installation depth, saves space and money
- Easy: intuitive operation via the navigator (jog/shuttle dial) on site, or user-friendly operation at the PC via the integrated web server
- Safe: reliable data archiving with internal memory and separate SD card
- Informative: e-mail notification in event of alarms and limit violation
- System-enabled: common interfaces such as Ethernet, RS232/485, USB and optional slave function for Modbus RTU/TCP
- Smart: optional mathematics functions to calculate other values

Function and system design


Measuring principle

Electronic acquisition, display, recording, analysis, remote transmission and archiving of analog and digital input signals.

The device is intended for installation in a panel or cabinet. There is also the option of operating it in a desktop housing or field housing.

Measuring system

Multichannel data recording system with multicolored TFT display (145 mm / 5.7" screen size), galvanically isolated universal inputs (U, I, TC, RTD, pulse, frequency), digital inputs, transmitter power supply, limit relay, communication interfaces (USB, Ethernet, optional RS232/485), optionally available with Modbus protocol, 128 MB internal memory, external SD card and USB stick. An Essential Version of the Field Data Manager software is included for SQL-supported data analysis at the PC.

 The number of inputs available in the basic device can be individually increased using a maximum of 3 plug-in cards. The device supplies power directly to connected two-wire transmitters. The device is configured and operated via the navigator (jog/shuttle dial), via the integrated web server and a PC, or via an external keyboard. Online help facilitates local operation.

Reliability

Dependability

Depending on the device version, the MTBF is between 52 years and 24 years (calculated based on SN29500 standard at 40°C)

Serviceability

Battery-backed time and data memory. It is advisable to have the backup battery replaced by a service technician after 10 years.

Standard diagnostic functions as per Namur NE 107

The diagnostic code is made up of the error category as per Namur NE 107 and the message number.

- Cable open circuit, short-circuit
- Incorrect wiring
- Internal device errors
- Overrange/underrange detection
- Ambient temperature out-of-range detection

Device error/alarm relay

One relay can be used as an alarm relay. If the device detects a system error (e.g. hardware defect) or a malfunction (e.g. cable open circuit), the selected output/relay switches.

This "alarm relay" switches if "F"-type errors occur (F = failure), i.e. "M"-type errors (M= Maintenance required) do not switch the alarm relay.

Safety

The tamper-proof recorded data are saved and can be transferred to an external SQL database for archiving in a way that prevents subsequent manipulation.

IT security

We only provide a warranty if the device is installed and used as described in the Operating Instructions. The device is equipped with security mechanisms to protect it against any inadvertent changes to the device settings.

IT security measures in line with operators' security standards and designed to provide additional protection for the device and device data transfer must be implemented by the operators themselves.

Input

Measured variables	Number of analog universal inputs
	Standard version without universal inputs. Optional input cards (slot 1-3) with 4 universal inputs (4/8/12) each.
	Number of digital inputs
	6 digital inputs
	Number of mathematics channels
	4 mathematics channels (optional). Mathematics functions can be freely edited via a formula editor.
Number of limit values	
30 limit values (individual channel assignment)	
Function of analog universal inputs	
You are free to choose between the following measured variables for each universal input: U, I, RTD, TC, pulse input or frequency input.	
Calculated values	
The values of the universal inputs can be used to perform calculations in the mathematics channels.	

Measuring range of analog universal inputs According to IEC 60873-1: An additional display error of ± 1 digit is permitted for every measured value.

Measuring ranges which can be selected per universal input:

Measured variable	Measuring range	Maximum measured error of measuring range (oMR), RTD temperature drift	Input impedance
Current (I)	0 to 20 mA; 0 to 20 mA quadratic 0 to 5 mA 4 to 20 mA; 4 to 20 mA quadratic -20 to 20 mA Overrange: up to 22 mA or -22 mA	$\pm 0.1\%$ oMR	Load: 50 Ohm ± 1 Ohm
Voltage (U) >1 V	0 to 10 V; 0 to 10 V quadratic 0 to 5 V 1 to 5 V; 1 to 5 V quadratic ± 10 V ± 30 V	$\pm 0.1\%$ oMR	≥ 1 MOhm
Voltage (U) ≤ 1 V	0 to 1 V; 0 to 1 V quadratic ± 1 V ± 150 mV	$\pm 0.1\%$ oMR	≥ 2.5 MOhm
Resistance thermometer (RTD)	Pt100: -200 to 850 °C (-328 to 1562 °F) (IEC751, GOST) Pt100: -200 to 510 °C (-328 to 950 °F) (JIS1604-1984) Pt500: -200 to 500 °C (-328 to 932 °F) (IEC751) Pt500: -200 to 510 °C (-328 to 950 °F) (JIS1604-1984) Pt1000: -200 to 250 °C (-328 to 482 °F) (IEC751) Pt1000: -200 to 510 °C (-328 to 950 °F) (JIS1604-1984)	4-wire: $\pm 0.1\%$ oMR 3-wire: $\pm (0.1\% \text{ oMR} + 0.8 \text{ K})$ 2-wire: $\pm (0.1\% \text{ oMR} + 1.5 \text{ K})$ Temperature drift: $\pm 0.01\%/K$ oMR	
	Cu100: -50 to 200 °C (-58 to 392 °F) (GOST) Cu50: -50 to 200 °C (-58 to 392 °F) (GOST, $\alpha = 4260$ ppm/K) Cu50: -175 to 200 °C (-347 to 392 °F) (GOST, $\alpha = 4280$ ppm/K) Pt50: -185 to 1100 °C (-365 to 2012 °F) (GOST)	4-wire: $\pm 0.2\%$ oMR 3-wire: $\pm (0.2\% \text{ oMR} + 0.8 \text{ K})$ 2-wire: $\pm (0.2\% \text{ oMR} + 1.5 \text{ K})$ Temperature drift: $\pm 0.02\%/K$ oMR	
	Cu53: -50 to 180 °C (-58 to 356 °F) (GOST, $\alpha = 4280$ ppm/K) Pt46: -200 to 650 °C (-328 to 1202 °F) (GOST)	4-wire: $\pm 0.3\%$ oMR 3-wire: $\pm (0.3\% \text{ oMR} + 0.8 \text{ K})$ 2-wire: $\pm (0.3\% \text{ oMR} + 1.5 \text{ K})$ Temperature drift: $\pm 0.01\%/K$ oMR	

Measured variable	Measuring range	Maximum measured error of measuring range (oMR), RTD temperature drift	Input impedance
Thermocouples (TC)	Type J (Fe-CuNi): -210 to 1200 °C (-346 to 2192 °F) (IEC581-1) Type K (NiCr-Ni): -270 to 1300 °C (-454 to 2372 °F) (IEC581-1) Type T (Cu-CuNi): -270 to 400 °C (-454 to 752 °F) (IEC581-1) Type N (NiCrSi-NiSi): -270 to 1300 °C (-454 to 2372 °F) (IEC581-1) Type L (Fe-CuNi): -200 to 900 °C (-328 to 1652 °F) (DIN43710) Type L (Fe-CuNi): -200 to 659 °C (-328 to 1218.2 °F) (GOST)	±0.1% oMR from -100 °C (-148 °F) ±0.1% oMR from -130 °C (-202 °F) ±0.1% oMR from -200 °C (-328 °F) ±0.1% oMR from -100 °C (-148 °F) ±0.1% oMR from -100 °C (-148 °F) ±0.1% oMR from -100 °C (-148 °F)	≥1 MOhm
	Type D (W3Re-W25Re): 0 to 2315 °C (32 to 4199 °F) (ASTME988) Type C (W5Re-W26Re): 0 to 2315 °C (32 to 4199 °F) (ASTME988) Type B (Pt30Rh-Pt6Rh): 40 to 1820 °C (104 to 3308 °F) (IEC581-1) Type S (Pt10Rh-Pt): -50 to 1768 °C (-58 to 3214 °F) (IEC581-1) Type R (Pt13Rh-Pt): -50 to 1768 °C (-58 to 3214 °F) (IEC581-1) Type A (W5Re-W20Re): 0 to 2500 °C (32 to 4532 °F) (ASTME988)	±0.15% oMR from 500 °C (932 °F) ±0.15% oMR from 500 °C (932 °F) ±0.15% oMR from 600 °C (1112 °F) ±0.15% oMR from 100 °C (212 °F) ±0.15% oMR from 100 °C (212 °F) ±0.15% oMR from 500 °C (932 °F)	≥1 MOhm
Pulse input (I) ¹⁾	Min. pulse length 40 µs, max. 12.5 kHz; 0 to 7 mA = LOW; 13 to 20 mA = HIGH	±0.02% @ f <100 Hz ±0.01% @ f ≥100 Hz Temperature drift: 0.01% of measured value over the entire temperature range	Load: 50 Ohm ±1 Ohm
Frequency input (I) ¹⁾	0 to 10 kHz, overrange: up to 12.5 kHz; 0 to 7 mA = LOW; 13 to 20 mA = HIGH		

- 1) If an universal input is used as a frequency or pulse input and the voltage is >2.5 V, a resistance must be used in series connection with the voltage source. Example: 1.2 kOhm series resistance at 24 V

Maximum load of inputs

Limit values for input voltage and current as well as cable open circuit detection/line influence/temperature compensation:

Measured variable	Limit values (steady-state, without destroying input)	Cable open circuit detection/line influence/temperature compensation
Current (I)	Maximum permitted input voltage: 2.5 V Maximum permitted input current: 50 mA	4 to 20 mA range with disengageable cable open circuit monitoring to NAMUR NE43. The following error ranges apply when NE43 is switched on: ≤3.8 mA: underrange ≥20.5 mA: overrange ≤ 3.6 mA or ≥ 21.0 mA: open circuit (display shows: - - -)
Pulse, frequency (I)	Maximum permitted input voltage: 2.5 V Maximum permitted input current: 50 mA	No cable open circuit monitoring
Voltage (U) >1 V	Maximum permitted input voltage: 35 V	1 to 5 V range with disengageable cable open circuit monitoring: <0.8 V or >5.2 V: cable open circuit (display shows: - - -)
Voltage (U) ≤1 V	Maximum permitted input voltage: 24 V	
Resistance thermometer (RTD)	Measuring current: ≤1 mA	Maximum barrier resistance (or line resistance): 4-wire: max. 200 Ohm; 3-wire: max. 40 Ohm Maximum influence of barrier resistance (or line resistance) for Pt100, Pt500 and Pt1000: 4-wire: 2 ppm/Ohm, 3-wire: 20 ppm/Ohm Maximum influence of barrier resistance (or line resistance) for Pt46, Pt50, Cu50, Cu53, Cu100 and Cu500: 4-wire: 6 ppm/Ohm, 3-wire: 60 ppm/Ohm Cable open circuit monitoring if any connection is interrupted.
Thermocouples (TC)	Maximum permitted input voltage: 24 V	Cable open circuit detection from 50 kOhm Influence of wire resistance in event of open circuit detection: <0.001%/Ohm Error, internal temperature compensation: ≤ 2 K

Scan rate

Current/voltage/pulse/frequency input: 100 ms per channel

Thermocouples and resistance temperature detector: 1 s per channel

Data storage / save cycle

Selectable save cycle. Choose from: 1s / 2s / 3s / 4s / 5s / 10s / 15s / 20s / 30s / 1min / 2min / 3min / 4min / 5min / 10min / 15min / 30min / 1h

Converter resolution

24 bit

Totalization

The interim, daily, monthly and yearly value and the total value can be determined (13-digit, 64 bit).

Analysis

Recording of quantity/operating time (standard function), also a min/max/median analysis within the set time frame.

Digital inputs	Input level	To IEC 61131-2: logical "0" (corresponds to -3 to +5 V), activation with logical "1" (corresponds to +12 to +30 V)
	Input frequency	Max. 25 Hz
	Pulse length	Min. 20 ms
	Input current	Max. 2 mA
	Input voltage	Max. 30 V

Selectable functions

- Functions of the digital input: control input, ON/OFF message, pulse counter (13-digit, 64 bit), operating time, message+operating time, quantity from time, Modbus slave.
- Functions of the control input: start recording, screen saver on, lock setup, time synchronization, limit monitoring on/off, lock keyboard/navigator, start/stop analysis.

Output

Auxiliary voltage output The auxiliary voltage output can be used for loop power supply or to control the digital inputs. The auxiliary voltage is short-circuit proof and galvanically isolated.

Output voltage	24 V _{DC} ±15%
Output current	Max. 250 mA

Galvanic isolation *All inputs and outputs are galvanically isolated from each other and designed for the following testing voltages:*

	Relay	Digital in	Analog in	Ethernet	RS232/RS485	USB	Auxiliary voltage output
Relay	500 V _{DC}	2 kV _{DC}	2 kV _{DC}	2 kV _{DC}	2 kV _{DC}	2 kV _{DC}	2 kV _{DC}
Digital in	2 kV _{DC}	Galvanically connected	500 V _{DC}	500 V _{DC}	500 V _{DC}	500 V _{DC}	500 V _{DC}
Analog in	2 kV _{DC}	500 V _{DC}	500 V _{DC}	500 V _{DC}	500 V _{DC}	500 V _{DC}	500 V _{DC}
Ethernet	2 kV _{DC}	500 V _{DC}	500 V _{DC}	-	500 V _{DC}	500 V _{DC}	500 V _{DC}
RS232/RS485	2 kV _{DC}	500 V _{DC}	500 V _{DC}	500 V _{DC}	-	500 V _{DC}	500 V _{DC}
USB	2 kV _{DC}	500 V _{DC}	500 V _{DC}	500 V _{DC}	500 V _{DC}	Galvanically connected	500 V _{DC}
Auxiliary voltage output	2 kV _{DC}	500 V _{DC}	500 V _{DC}	500 V _{DC}	500 V _{DC}	500 V _{DC}	-

Relay outputs A mix of low voltage (230 V) and safety extra low voltage (SELV circuits) is not permitted at the connections of the relay contacts.

Alarm relay

1 alarm relay with changeover contact.

Standard relay

5 relays with NO contact, e.g. for limit value messages (can be configured as NC contact).

Relay switching capacity

- Max. switching capacity: 3 A@ 30 V DC
- Max. switching capacity: 3 A@ 250 V AC
- Min. switching load: 300 mW

Switching cycles

>10⁵

Cable specification

Cable specification, spring terminals


All connections to the rear of the unit are designed as screw or spring terminal blocks with reverse polarity protection. This makes the connection very quick and easy. The spring terminals are unlocked with a slotted screwdriver (size 0).

Please note the following when connecting:

- Wire cross-section, auxiliary voltage output, digital I/O and analog I/O: max. 1.5 mm² (14 AWG) (spring terminals)
- Wire cross-section, power supply: max. 2.5 mm² (13 AWG) (screw terminals)
- Wire cross-section, relays: max. 2.5 mm² (13 AWG) (spring terminals)
- Stripping length: 10 mm (0.39 in)

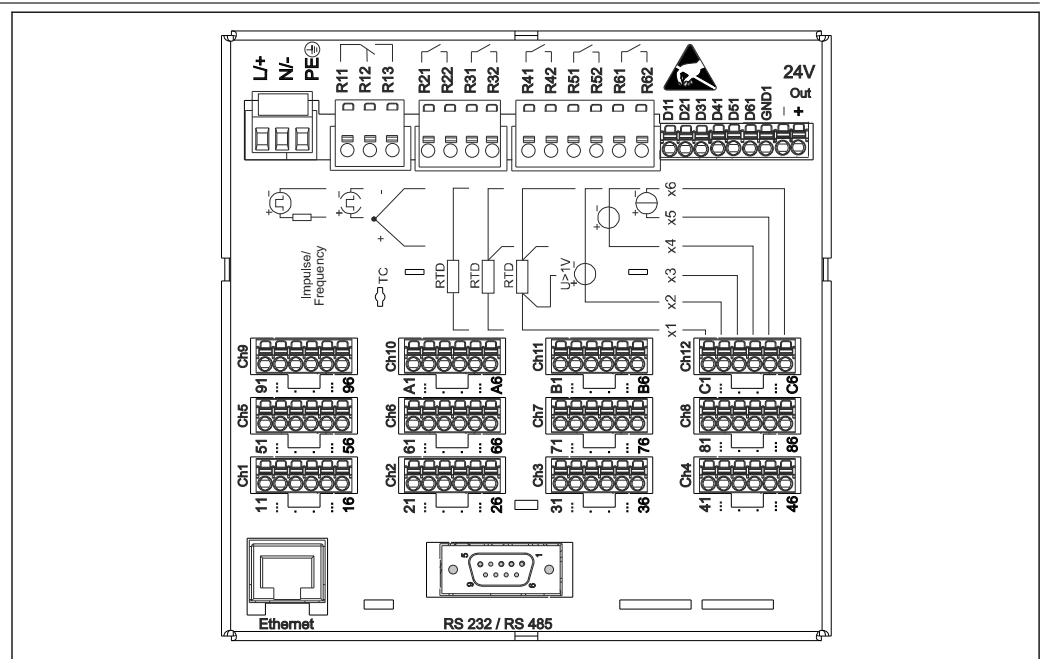
 No ferrules have to be used when connecting flexible wires to spring terminals.


Cable type

 Use shielded signal lines for interfaces!

Power supply


Terminal assignment



 1 Terminals on back of device

A0019304

Supply voltage

- Extra-low voltage power supply unit ± 24 V AC/DC (-10% / +15%) 50/60Hz
 - Low voltage power supply unit 100 to 230 V AC ($\pm 10\%$) 50/60Hz
-  An overload protection element (rated current ≤ 10 A) is required for the power cable.

Power consumption

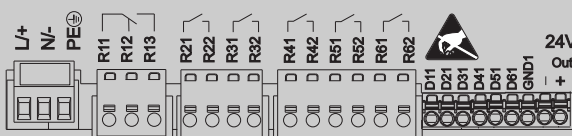
- 100 to 230 V: max. 35 VA
 - 24 V: max. 24 VA
- The power actually consumed depends on the individual operating state and the device version (LPS, USB, brightness of screen, number of channels, etc). The active power here is approx. 3 W to 20 W.

Power supply failure

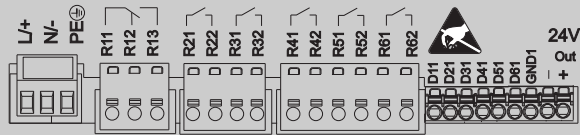
Battery-backed time and data memory. The device starts automatically following a power failure.

Electrical connection

Supply voltage

Power unit type	Terminal		
			
100-230 V AC	L+	N-	PE
	Phase L	Zero conductor N	Ground
24 V AC/DC	L+	N-	PE
	Phase L or +	Zero conductor N or -	Ground

Relay

Type	Terminal (max. 250 V, 3 A)				
					
Alarm relay 1	R11	R12	R13		
	Changeover contact	Normally closed contact (NC) ¹⁾	Normally open contact (NO) ²⁾		
Relay 2 to 6				Rx1	Rx2
				Switching contact	Open contact (NO) ²⁾

1) NC = normally closed (breaker)
 2) NO = normally open (maker)

Digital inputs; auxiliary voltage output

Type	Terminal			
Digital input 1 to 6	D11 to D61	GND1		
	Digital input 1 to 6 (+)	Ground (-) for digital inputs 1 to 6		
Auxiliary voltage output, not stabilized, max. 250 mA			24V Out -	24V Out +
			- Ground	+ 24V (±15%)

Analog inputs

The first digit (x) of the two-digit terminal number corresponds to the associated channel:

Type	Terminal					
	x1	x2	x3	x4	x5	x6
Current/pulse/frequency input ¹⁾					(+)	(-)
Voltage > 1V		(+)				(-)
Voltage ≤ 1V				(+)		(-)
Resistance thermometer RTD (2-wire)	(A)					(B)
Resistance thermometer RTD (3-wire)	(A)			b (sense)		(B)
Resistance thermometer RTD (4-wire)	(A)		a (sense)	b (sense)		(B)
Thermocouples TC				(+)		(-)

1) If an universal input is used as a frequency or pulse input and the voltage is >2.5 V, a resistance must be used in series connection with the voltage source. Example: 1.2 kOhm series resistance at 24 V

Device plug

- Panel-mounted device: connected to mains via plug-in screw terminals with reverse polarity protection
- Desktop version (option): connected to mains via regular-temperature C13/C14 coupler

Overvoltage protection

To avoid high-energy transients on long signal cables, connect a suitable surge arrester upstream (e.g. E+H HAW562).

Interface, communication connection data

USB ports (standard):

1 x USB port type A (host)

A USB 2.0 connection is available on a shielded USB A socket at the front of the device. A USB stick, for example, can be connected to this interface as a storage medium. An external keyboard or USB hub may also be connected.

1 x USB port type B (function)

A USB 2.0 connection is available on a shielded USB B socket at the front of the device. This can be used to connect the device for communication with a laptop, for example.


Ethernet interface (standard):

Ethernet interface on back, 10/100 Base-T, plug type RJ45. The Ethernet interface can be used to integrate the device via a hub or switch into a PC network (TCP/ IP Ethernet). A standard patch cable (e.g. CAT5E) can be used for the connection. Using DHCP, the device can be fully integrated into an existing network without the need for additional configuration. The device can be accessed from every PC in the network. Normally only the automatic assignment of the IP address must be configured at the client. When the device is started, it can automatically retrieve the IP address, subnet mask and gateway from a DHCP server. If a DHCP is not used, these settings must be made directly in the device (depends on the network to which the device is to be connected). Two Ethernet function LEDs are located on the rear of the device.

Serial RS232/RS485 interface (option):

A combined RS232/RS485 connection is available on a shielded SUB D9 socket at the rear of the device. This can be used for data or program transfer and to connect a modem. For communication via modem, we recommend an industrial modem with a watchdog function.

- The following baud rates are supported: 9600, 19200, 38400, 57600, 115200
- Max. line length with shielded cable: 2 m (6.6 ft) (RS232), or 1000 m (3281 ft) (RS485)

 Only one interface can be used at any one time (RS232 or RS485).

Performance characteristics

Response time

Input	Output	Time [ms]
Current, voltage, pulse	Relay	≤ 550
RTD	Relay	≤ 1150
TC ¹⁾	Relay	≤ 1550
Cable open circuit detection, current input	Relay	≤ 1150
Cable open circuit detection, RTD, TC	Relay	≤ 5000
Digital input	Relay	≤ 350
HART input	Relay	Non-deterministic

1) If internal measuring point temperature compensation is used, otherwise values as for voltage

Reference operating conditions

Reference temperature	25 °C (77 °F) ±5 K
Warm-up period	120 min.
Humidity	20 to 60 % rel. humidity

Hysteresis

Can be configured for limit values in the setup

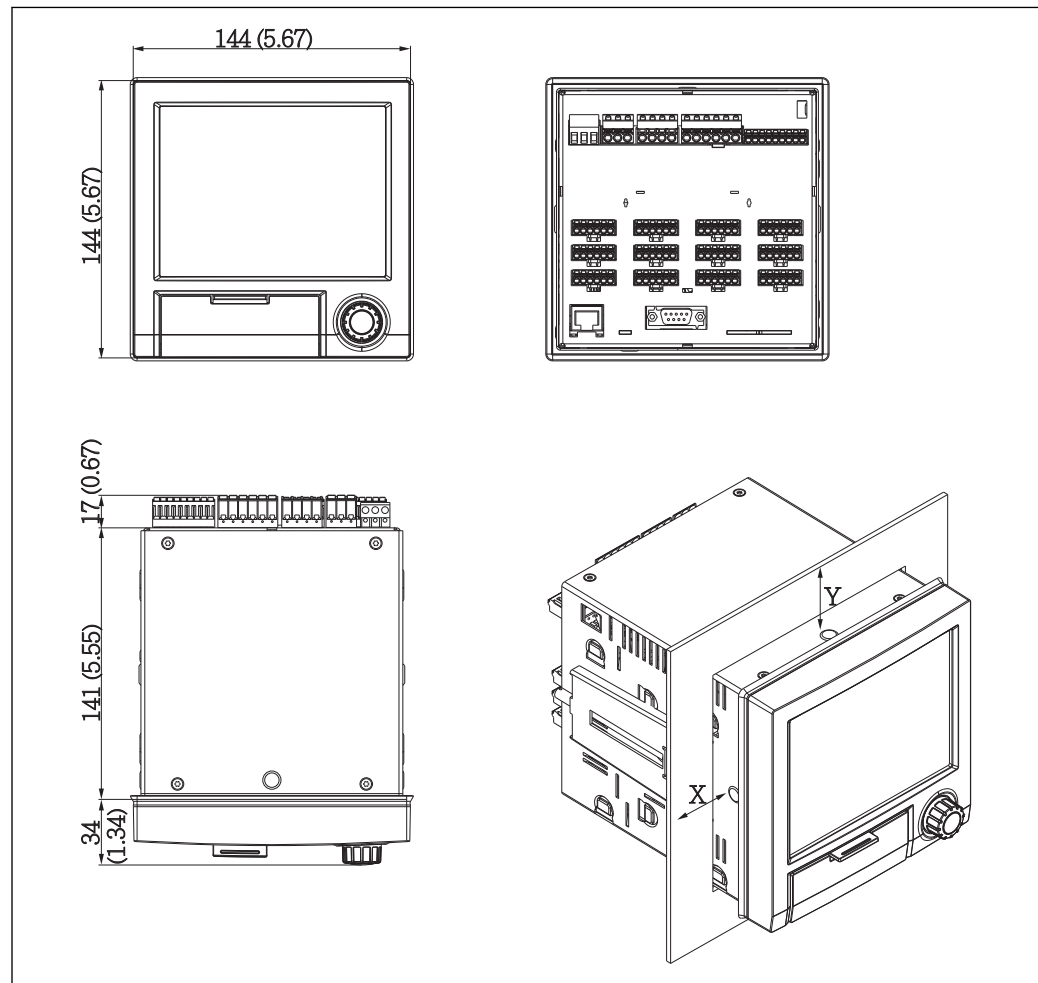
Long-term drift

To IEC 61298-2: max. ±0.1%/year (of measuring range)

Installation

Mounting location and installation dimensions

The device is designed for use in a panel in non-hazardous areas.



A0019301

2 Panel mounting and dimensions in mm (in)

Please observe the installation depth of approx. 158 mm (6.22 in) for the device incl. terminals and fastening clips.

- Panel cutout: 138 to 139 mm (5.43 to 5.47 in) x 138 to 139 mm (5.43 to 5.47 in)
- Panel strength: 2 to 40 mm (0.08 to 1.58 in)
- Angle of vision: from the midpoint axis of the display, 75° to the left and right, 65° above and below.
- A minimum distance of 15 mm (0.59 in) mm (inch) between the devices must be observed if aligning the devices in the Y-direction (vertically above one another). A minimum distance of 10 mm (0.39 in) mm (inch) between the devices must be observed if aligning the devices in the X-direction (horizontally beside one another).
- Securing to DIN 43 834

Field housing assembly and design (optional)

As an option, the device can be ordered ready-mounted in a field housing with IP65.

Dimensions (B x H x D) approx.: 320 mm (12.6 in) x 320 mm (12.6 in) x 254 mm (10 in)

Desktop housing assembly and design (optional)

As an option, the device can be ordered ready-mounted in a desktop housing.

Dimensions (B x H x D) approx.: 293 mm (11.5 in) x 188 mm (7.4 in) x 211 mm (8.3 in) (dimensions with bracket, feet and installed device)

Environment

Ambient temperature range -10 to +50 °C (14 to 122 °F)

Storage temperature -20 to +60 °C (-4 to +140 °F)

Humidity 5 to 85 %, non-condensing

Climate class To IEC 60654-1: Class B2

Altitude < 2 000 m (6 561 ft) over MSL

Degree of protection	Front	IP65 / NEMA 4
	Rear	IP20

Electromagnetic compatibility

- Interference immunity: To IEC 61326-series (industrial environment) / NAMUR NE 21
Maximum measured error <1% of measuring range (oMR)
- Interference emissions: To IEC 61326-1, Class A


Mechanical construction

Design, dimensions Information about design and dimensions (→  10)

Weight

- Panel-mounted device with maximum configuration: approx. 2.2 kg (4.85 lbs)
- Desktop housing (excluding device): approx. 2.3 kg (5 lbs)
- Field housing (excluding device): approx. 4 kg (8.8 lbs)

Materials	Front frame	Zinc die cast GD-Z410, powder-coated
	Sight glass	Transparent Makrolon plastic (FR clear 099) UL94-V2
	Flap; jog/shuttle dial	Plastic ABS UL94-V2
	Mounting guide rail for PCBs; motherboard fixing unit; display retainer plate	Plastic PA6-GF15 UL94-V2
	Seal to panel wall; seal to display; seal in flap; seal to navigator	Rubber EPDM 70 Shore A
	Casing; rear panel	Galvanized sheet steel St 12 ZE

 All materials are silicone-free.

Materials of desktop housing

- Housing half-panels: sheet steel, electrolytically plated (powder-coated)
- Side sections: aluminum extruded section (powder-coated)
- Section ends: colored polyamide

Display and operating elements

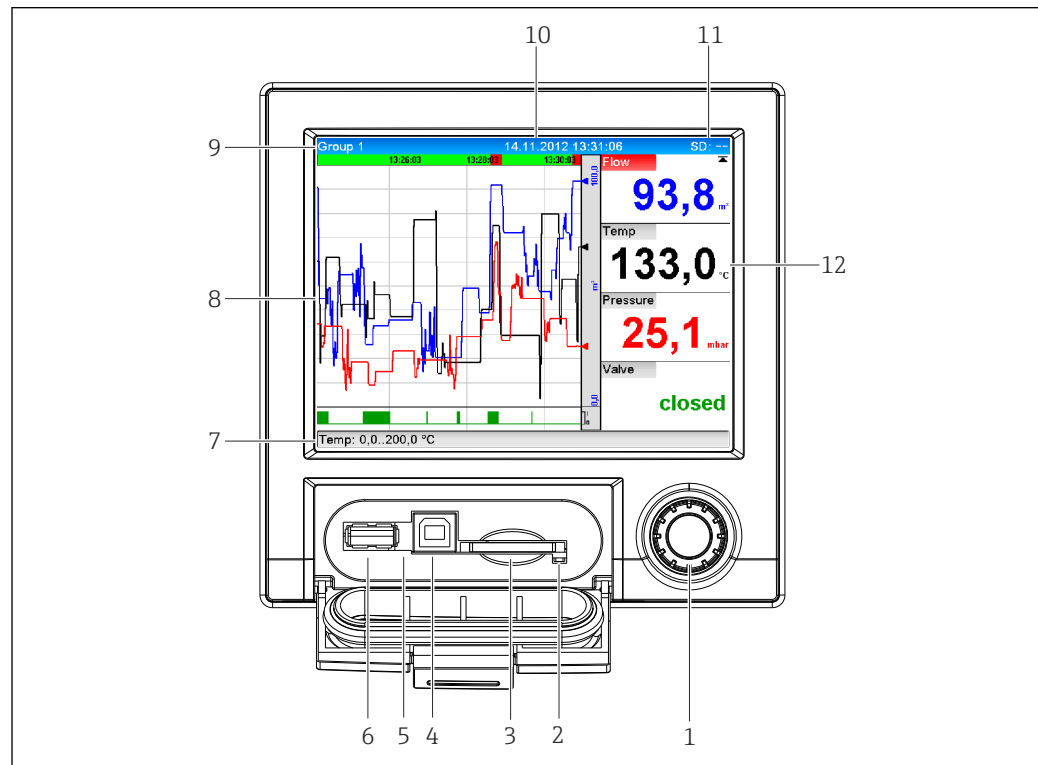
Operating concept The device can be operated directly onsite, or via remote configuration with the PC via interfaces and operating tools (web server, configuration software).

Integrated operating instructions

The unit's simple control system enables you to perform commissioning for many applications without the need for hardcopy operating instructions. The device has an integrated help function and displays operating instructions directly on screen if the navigator (jog/shuttle dial) is pressed for longer than 3 seconds.

Local operation


Operating elements



A0020602-EN

3 Front of device with open flap

Item No.	Operating function (display mode = display of measured values) (Setup mode = operating in the Setup menu)
1	"Navigator": jog/shuttle dial for operating with additional press function. In Display mode: turn the dial to switch between the various signal groups. Press the dial to display the main menu. In Setup mode or in a selection menu: turn the dial anticlockwise to move the bar or the cursor upwards or counterclockwise, changes the parameter. Turning clockwise moves the bar or cursor down or clockwise, changes parameter.
2	LED at SD slot. Orange LED lit when the device writes to the SD card or reads it.
3	Slot for SD card
4	USB B socket "Function" e.g. to connect to PC or laptop
5	Green LED lit: Power supply present
6	USB A socket "Host" e.g. for USB memory stick or external keyboard
7	In Display mode: alternating status display (e.g. set zoom range) of the analog or digital inputs in the appropriate color of the channel. In Setup mode: different information can be displayed here depending on the display type.
8	In Display mode: window for measured value display (e.g. curve display). In Setup mode: display of operating menu
9	In Display mode: current group name, type of evaluation In Setup mode: name of the current operating item (dialog title)
10	In Display mode: displays current date/time In Setup mode: --

Item No.	Operating function (display mode = display of measured values) (Setup mode = operating in the Setup menu)
11	In Display mode: alternating display indicating the percentage space on the SD card or USB stick that has already been used. Status symbols are also displayed in alternation with the memory information. In Setup mode: the current "direct access" operating code is displayed
12	In Display mode: display of current measured values and the status in the event of an error/alarm condition. In the case of counters, the type of counter is displayed as a symbol.  If a measuring point has limit value status, the corresponding channel identifier is highlighted in red (quick detection of limit value violations). During a limit value violation and device operation, the acquisition of measured values continues uninterrupted.

Languages

The following languages can be selected in the operating menu: German, English, Spanish, French, Italian, Dutch, Swedish, Polish, Portuguese, Czech, Russian, Japanese, Chinese (Traditional), Chinese (Simplified)

Remote operation

Device access via operating tools

Device configuration and measured value retrieval can also be done via interfaces. The following operating tools are available for this purpose:

Operating tool	Functions	Access via
Analysis software, SQL database support (included in scope of delivery)	<ul style="list-style-type: none"> ▪ Export of saved data (measured values, analyses, event log) ▪ Visualization and processing of saved data (measured values, analyses, event log) ▪ Safe archiving of exported data in a SQL database 	RS232/RS485, USB, Ethernet
Web server (integrated into the device; access via browser)	<ul style="list-style-type: none"> ▪ Display of current and historical data and measured value curves via the web browser ▪ Easy configuration without additional installed software ▪ Remote access to device and diagnostic information 	Ethernet
OPC server (optional)	The following momentary values can be provided: <ul style="list-style-type: none"> ▪ Analog channels ▪ Digital channels ▪ Mathematics ▪ Totalizer 	RS232/RS485, USB, Ethernet
Configuration software (included in scope of supply)	<ul style="list-style-type: none"> ▪ Device configuration ▪ Loading and saving device data (upload/download) ▪ Documentation of the measuring point 	USB, Ethernet

System integration

The device has (optional) fieldbus interfaces for exporting process values. Measured values and statuses can also be transmitted to the device via fieldbus. Depending on the bus system, alarms or faults occurring during data transmission are displayed (e.g. status byte). The process values are transferred in the same devices that are used for display at the device.

Ethernet

The following functions are implemented:

- Data communication with PC software (analysis software, configuration software, OPC server)
- Web server

Modbus RTU/TCP slave

The device can be connected to a Modbus system via RS485 or Ethernet interface. Up to 12 analog inputs and 6 digital inputs can be transmitted via Modbus and stored in the device.

Certificates and approvals

CE mark	<p>Declaration of Conformity</p> <p>The product meets the requirements of the harmonized European standards. As such, it complies with the legal specifications of the EC directives. The manufacturer confirms successful testing of the product by affixing to it the CE mark.</p>
Approvals	<p>CSA GP</p> <p>UL-listed</p>
Other standards and guidelines	<ul style="list-style-type: none"> ▪ IEC 60529: Degrees of protection provided by enclosures (IP code) ▪ IEC 61010-1: Safety requirements for electrical equipment for measurement, control and laboratory use

Ordering information

Detailed ordering information is available from the following sources:

- In the Product Configurator on the Endress+Hauser website: www.endress.com → Select country → Instruments → Select device → Product page function: Configure this product
- From your Endress+Hauser Sales Center: www.endress.com/worldwide



Product Configurator - the tool for individual product configuration

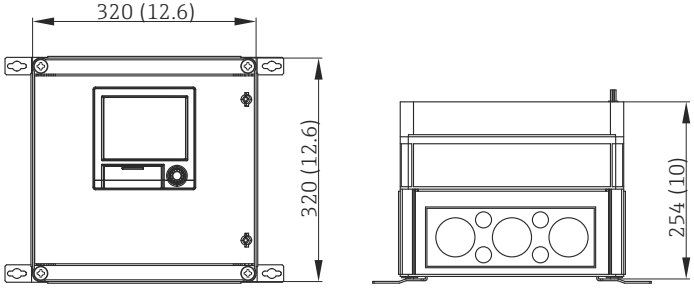
- Up-to-the-minute configuration data
 - Depending on the device: Direct input of measuring point-specific information such as measuring range or operating language
 - Automatic verification of exclusion criteria
 - Automatic creation of the order code and its breakdown in PDF or Excel output format
 - Ability to order directly in the Endress+Hauser Online Shop

Scope of delivery	<p>The scope of delivery of the device comprises:</p> <ul style="list-style-type: none"> ▪ Device (with terminals, as per your order) ▪ 2 fastening clips ▪ USB cable ▪ Optional: Industrial grade SD card (card is located in the device). ▪ Analysis software on CD-ROM ▪ Configuration software on DVD ▪ Delivery note ▪ Multilanguage Brief Operating Instructions as hard copy ▪ Multilanguage Operating Instructions on CD-ROM
--------------------------	---

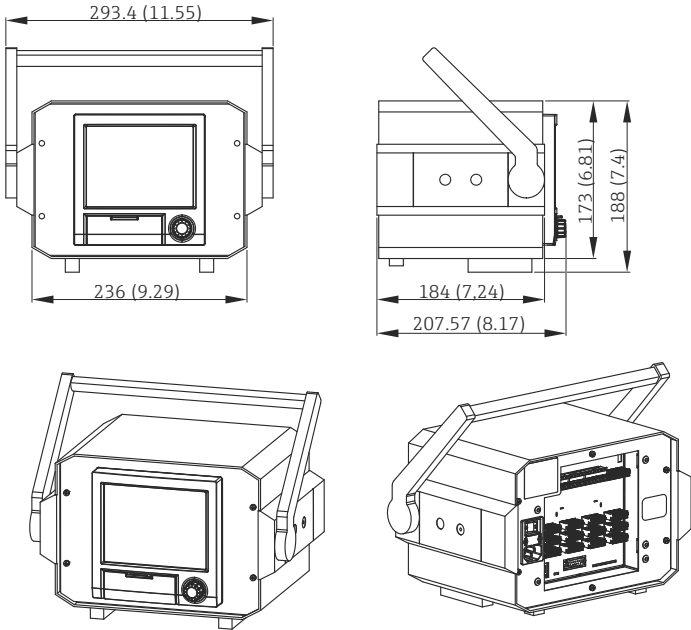
Accessories

Various accessories, which can be ordered with the device or subsequently from Endress+Hauser, are available for the device. Detailed information on the order code in question is available from your local Endress+Hauser sales center or on the product page of the Endress+Hauser website: www.endress.com.

Device-specific accessories	Description	Order code
	SD memory card "Industrial Grade", 1GB	71187780
	Field Data Manager SQL-evaluation software based on database (1x workplace licence)	MS20-A1
	OPC-Server software (full version on CD)	RXO20-11

Communication-specific Accessories	Description	Order code
	Accessories data manager RXU10	RXU10- _ _
	Description: Cable set RS232 with plug + 9-pin-Sub-D. plug for connection PC or modem Converter USB - RS232 Cable USB-A - USB-B, 2 m Software "FieldCare Device Setup" + USB cable	RXU10-A _ RXU10-E _ RXU10-F _ RXU10-G _
	Field housing IP65 	RXU10-H _

A0021773

Description	Order code
<p>Desk top housing, cable with european two-pin earthed plug Desk top housing, cable with US plug Desk top housing, cable with swiss plug</p>  <p style="text-align: right; font-size: small;">A0021772</p>	<p>RXU10-I _ RXU10-J _ RXU10-K _</p>
<p>Version: Standard Neutral</p>	<p>RXU10- _ 1 RXU10- _ 2</p>

www.addresses.endress.com