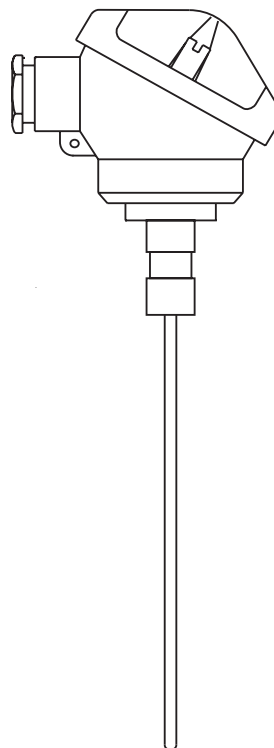


RTD Thermometer *omnigrad TST414*

**Process thermometer- Mignon head
Ø 3 mm M.I. probe
with protecting pocket**



Description

TST414 RTD thermometer assembly includes a single Pt100 probe in mineral insulated cable, 3 or 4 wire connections, with 3 mm stem diameter and a mignon terminal head.

It is supplied with a 4.5 mm diameter pocket, which protects the probe from chemical corrosion and allows an easy replacement of the thermometer.

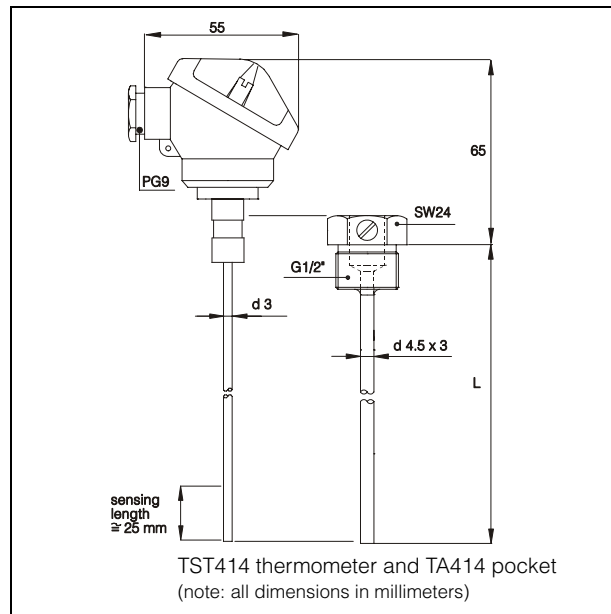
Application

Due to the reduced wall thickness of the pocket, it is suggested to use this thermometer assembly in processes where no strong flow is present. Special care should be given to the maximum allowed temperature surrounding the terminal head, which must be lower than 80°C.

Technical data

Probe	Sensing element:	Platinum resistance, 1 x Pt100 Ω at 0°C, standard version
	Tolerances:	class A or class B to IEC 751
	Wiring:	3 or 4 wire connections
	Insulation resistance:	$\geq 100 \text{ M}\Omega$, test voltage 250 V at ambient temperature
	Electrical connections:	terminal block
	Stem:	mineral insulated cable (MgO)
	Sheath:	AISI 316L/W.1.4404

TA414 Pocket	Standard diameter:	4.5 x 3 mm
	Standard material:	AISI 316Ti/W.1.4571
	Process connection:	G 1/2" M
	Operating temperature:	-50°C to +400°C
	Max. operating condit.:	100 bar @ 20°C; 1 bar @ 300°C
	Response time values:	according to IEC751, in moving water at 0.4 m/s



	Dimension:	Mignon type
	Protection grade:	IP 67
	Max. temperature:	80°C
	Material:	light alloy dye casting with rubber gasket under the cover
	Cable connection:	PG9
	Thermowell entry:	M10 x 1 mm
	Body colour:	blue according to RAL5012 - epoxy coated
	Cap colour:	grey according to RAL7015 - epoxy coated
Weight:	75 g	

Endress+Hauser
GmbH+Co.
Instruments International
P.O. Box 2222
D-79574 Weil am Rhein
Germany

Tel. (07621) 975-02
Tx 773926
Fax (07621) 975 345
<http://www.endress.com>
info@ii.endress.com

Endress + Hauser
The Power of Know How

