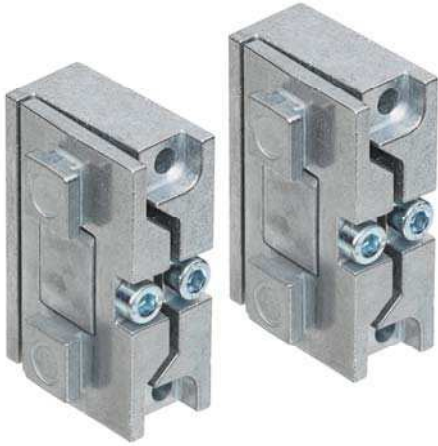


BT-2SB10



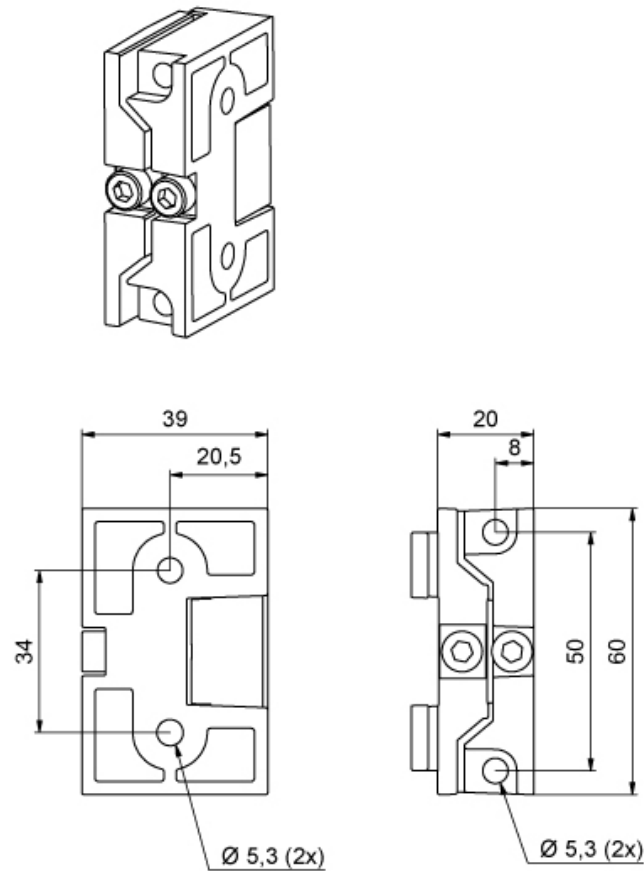
Swiveling mounting bracket

The mounting bracket set is used to fasten light curtains (MLC, CML and CSL710) on the lateral C-groove.

Features

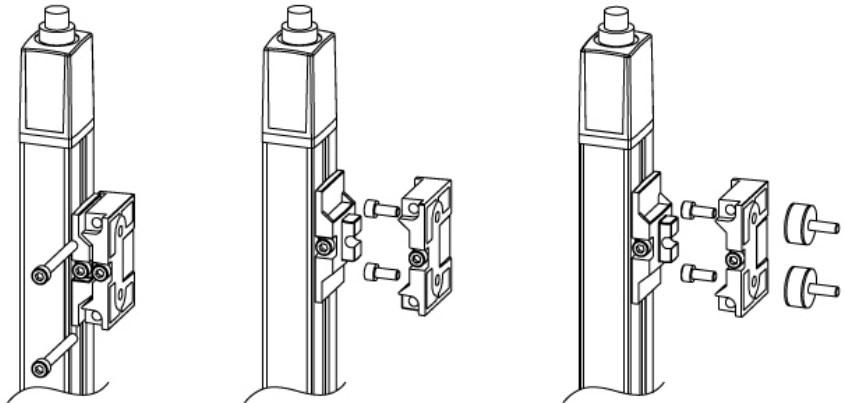
- Simplification of the transmitter/receiver alignment of light curtains (MLC, CML und CSL710)
- Especially well suited for devices with large protective field height

Dimensioned drawing



Mounting

variants:



Order guide

Part no.	Article	Description
424421	BT-SB10	1x swiveling mounting bracket
424422	BT-2SB10	2x BT-SB10 swiveling mounting bracket
424423	BT-2SB10-S	2x BT-SB10 swiveling mounting bracket, vibration damped