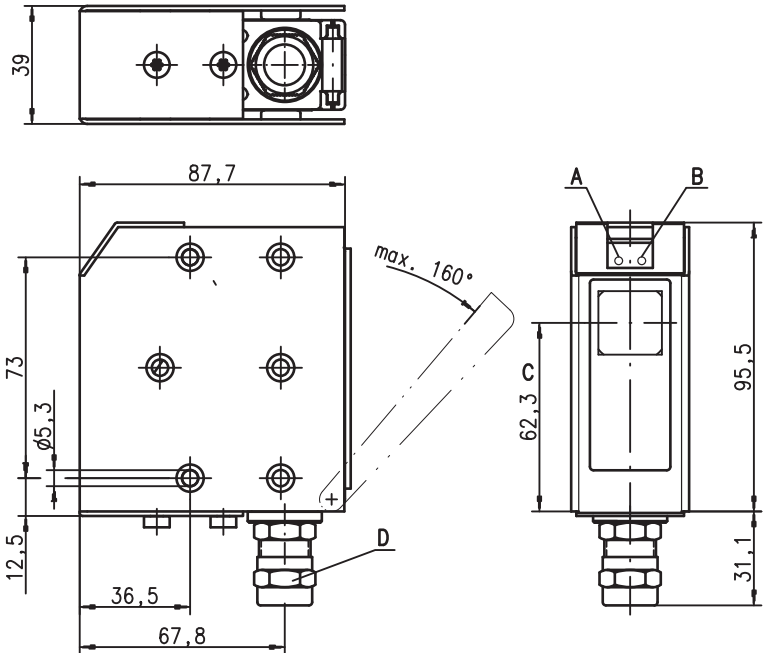


LS 96 Ex n

Throughbeam photoelectric sensor

Dimensioned drawing

en 05-2016/03 50111017-02



- A** Green indicator diode
- B** Yellow indicator diode
- C** Optical axis
- D** Screwed cable gland M16x1.5 for Ø 5 ... 9mm

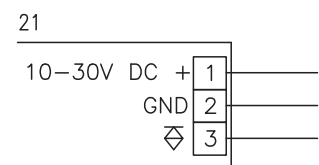
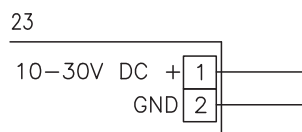


0 ... 150m



- Throughbeam photoelectric sensors with high performance reserve in infrared light
- Robust metal housing with shock-resistant optical window, protection class IP 67/ IP 69K for industrial application
- General light/dark switching and sensitivity adjustment for optimal adaptation to applications
- Connection via comfortable terminal compartment
- Ex II 3G Ex nA op is IIB T4 Gc X
- Ex II 3D Ex tc IIIC T70°C Dc IP67 X

Electrical connection



Accessories:

(available separately)

- Mounting systems (BT 96, BT 96.1, UMS 96, BT 450.1-96)
- Alignment aids ARH 96, SAT 5

We reserve the right to make changes • DS_LS96MP3019Ex_en_50111017_02.fm

Specifications

Optical data

Typ. operating range limit ¹⁾	0 ... 150m
Operating range ²⁾	0 ... 120m
Light source	LED (modulated light)
Wavelength	880nm

Timing

Sensor switching frequency	500Hz
Sensor response time	1ms
Delay before start-up	≤ 200ms

Electrical data

Operating voltage U_B	10V ... 30V
Residual ripple	≤ 15% of U_B
Open-circuit current	≤ 50mA
Switching output	PNP transistor
Function characteristics	light/dark switching (reversible)
Signal voltage high/low	≥ ($U_B - 2V$) / ≤ 2V (PNP)
Output current	max. 100 mA
Sensitivity	adjustable

Indicators

Green LED	ready
Yellow LED	light path free
Yellow LED, flashing	light path free, no performance reserve

Mechanical data

Housing	diecast zinc
Optics cover	polycarbonate
Weight	380g
Connection type	terminals, cable diameter 5 ... 9mm
Screwed cable gland	EEx e II clamping torque 3.5Nm

Environmental data

Ambient temp. (operation/storage)	-20°C ... +50°C / -40°C ... +55°C
Protective circuit ³⁾	1, 2
VDE safety class ⁴⁾	II, all-insulated
Protection class	IP 67, IP 69K ⁵⁾
Light source	exempt group (in acc. with EN 62471)
Standards applied	IEC 60947-5-2

Explosion protection

Labelling (CENELEC)	Ex II 3G Ex nA op is IIB T4 Gc X
	Ex II 3D Ex tc IIIC T70°C Dc IP67 X

- 1) Typ. operating range limit: max. attainable range without performance reserve
- 2) Operating range: recommended range with performance reserve
- 3) 1=transient protection, 2=polarity reversal protection
- 4) Rating voltage 250VAC
- 5) IP 69K test acc. to DIN 40050 part 9 simulated, high pressure cleaning conditions without the use of additives, acids and bases are not part of the test

Order guide

	Designation	Part No.
Transmitter and receiver	LS 96M/P-3019-2 Ex n	
Transmitter	LSS 96 M-1079-23 Ex n	50111015
Receiver	LSE 96 M/P-3019-21 Ex n	50111016

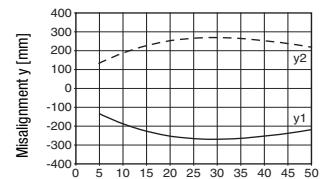
Tables

0	120	150
---	-----	-----

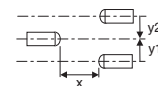
	Operating range [m]
	Typ. operating range limit [m]

Diagrams

Typ. response behaviour



Distance x [m]



Remarks

Operate in accordance with intended use!

- ⚠ This product is not a safety sensor and is not intended as personnel protection.
- ⚠ The product may only be put into operation by competent persons.
- ⚠ Only use the product in accordance with the intended use.

LS = Pair consisting of
LSS = transmitter
LSE = receiver

LS 96M/P-3019-2 Ex n
LSS 96M-1079-23 Ex n
LSE 96M/P-3019-21 Ex n

Notices for the safe use of sensors in potentially explosive areas

This document is valid for devices with the following classifications:

Device group	Device category	Equipment protection level	Zone
II	3G	Gc	Zone 2
II	3D	Dc	Zone 22



Attention!

- Check whether the equipment classification corresponds to the requirements of the application.
- The devices are not suited for the protection of persons and may not be used for emergency shutdown purposes.
- A safe operation is only possible if the equipment is used properly and for its intended purpose.
- Electrical equipment may endanger humans and (where applicable) animal health, and may threaten the safety of goods if used incorrectly or under unfavorable conditions in potentially explosive areas.
- The applicable national regulations (e.g. EN 60079-14) for the configuration and installation of explosion-proof systems must be observed without fail.

Installation and Commissioning

- The devices must only be installed and commissioned by trained electricians. They must be aware of the regulations and operation of explosion-proof equipment.
- To prevent unintentional separation under voltage, devices with connector (e.g. Series 46B) must be equipped with a safeguard or a mechanical interlocking guard (e.g. K-VM12-Ex, part no. 50109217). The warning sign "Do not disconnect under voltage" that is supplied with the device must be attached to the sensor or its mounting bracket so that it is clearly visible.
- Devices with terminal compartment lid (e.g. Series 96) must only be commissioned if the terminal compartment lid of the device is properly sealed.
- Connection cables and connectors must be protected from excessive or unintended pulling or pushing strain.
- Prevent dust deposits from forming on the devices.
- Metallic parts (e.g. housing, mounting devices) are to be integrated into the potential equalization to prevent electrostatic charge.

Maintenance

- No changes may be made to explosion-proof devices.
- Repairs may only be performed by a person trained for such work or by the manufacturer.
- Defective devices must be replaced immediately.
- Cyclical maintenance is generally not necessary.
- Depending on the environmental conditions, it may occasionally be necessary to clean the optical surfaces of the sensors. This cleaning must only be performed by persons trained for this task. We recommend using a soft, damp cloth. Cleaning agents that contain solvents must not be used.

Chemical resistance

- The sensors demonstrate good resistance against diluted (weak) acids and bases.
- Exposure to organic solvents is possible only under certain circumstances and only for short periods of time.
- Resistance to chemicals must be examined on a case by case basis.

Special conditions

- The devices must be installed in such a way that they are protected from direct exposure to UV rays (sunlight).
- Static charge on plastic surfaces must be avoided.



the **sensor** people

EG-KONFORMITÄTS- ERKLÄRUNG

EC DECLARATION OF CONFORMITY

DECLARATION CE DE CONFORMITE

Hersteller:

Manufacturer:

Constructeur:

Leuze electronic GmbH + Co. KG
In der Braike 1, PO Box 1111
73277 Owen, Germany

Produktbeschreibung:
Einweg Lichtschranke
LSS 96M-1079-23 Ex n,
LSE 96M/P-3019-21 Ex n

Description of product:
Throughbeam photoelectric
sensors
LSS 96M-1079-23 Ex n,
LSE 96M/P-3019-21 Ex n

Description de produit:
Barrières unidirectionnelles
LSS 96M-1079-23 Ex n,
LSE 96M/P-3019-21 Ex n

Die alleinige Verantwortung für die Ausstellung dieser Konformitätserklärung trägt der Hersteller.

This declaration of conformity is issued under the sole responsibility of the manufacturer.

La présente déclaration de conformité est établie sous la seule responsabilité du fabricant.

Der oben beschriebene Gegenstand der Erklärung erfüllt die einschlägigen Harmonisierungsrechtsvorschriften der Union:

The object of the declaration described above is in conformity with the relevant Union harmonisation legislation:

L'objet de la déclaration décrit ci-dessus est conforme à la législation d'harmonisation de l'Union applicable:

Kennzeichnung Gas / Staub:

Marking for gas / dust:

Marquage gaz / poussière:

II 3G Ex nA op is IIB T4 Gc X

II 3D Ex tc IIIC T70°C Dc IP67 X

Angewandte EG-Richtlinie(n):
94/9/EG (bis 19.04.16)
2014/34/EG (ab 20.04.16)
2004/108/EG (bis 19.04.16)
2014/30/EG (ab 20.04.16)

Applied EC Directive(s):
94/9/EC (till 19.04.16)
2014/34/EC (from 20.04.16)
2004/108/EC (till 19.04.16)
2014/30/EC (from 20.04.16)

Directive(s) CE appliquées:
94/9/CE (jusqu'à 19.04.16)
2014/34/CE (du 20.04.16)
2004/108/CE (jusqu'à 19.04.16)
2014/30/CE (du 20.04.16)

Angewandte harmonisierte Normen / Applied harmonized standards / Normes harmonisées appliquées :

EN 60947-5-2: 2007 + A1: 2012
EN 60079-31: 2014

EN 60079-0: 2012 + A11: 2013

EN 60079-15: 2010

Angewandte technische Spezifikationen / Applied technical specifications / Spécifications techniques appliquées :

2014/30/EG veröffentlicht: 29.03.2014, EU-Amtsblatt Nr. L 96/79-106; 2014/30/EC published: 29.03.2014, EU-Journal No. L 96/79-106; 2014/30/CE publié: Journal EU n° L 96/79-106
2014/34/EG veröffentlicht: 29.03.2014, EU-Amtsblatt Nr. L 96/309-356; 2014/34/EC published: 29.03.2014, EU-Journal No. L 96/309-356; 2014/34/CE publié: Journal EU n° L 96/309-356

10.3.2016
Datum / Date / Date

Ulrich Balbach, Geschäftsführer / Managing Director / Gérant

Leuze electronic GmbH + Co. KG
In der Braike 1
D-73277 Owen
Telefon +49 (0) 7021 573-0
Telefax +49 (0) 7021 573-199
info@leuze.de
www.leuze.com

Leuze electronic GmbH + Co. KG, Sitz Owen, Registergericht Stuttgart, HRA 230712
Persönlich haftende Gesellschafterin Leuze electronic Geschäftsführungs-GmbH,
Sitz Owen, Registergericht Stuttgart, HRB 230550
Geschäftsführer: Ulrich Balbach
USt.-IdNr. DE 145912521 | Zollnummer 2554232
Es gelten ausschließlich unsere aktuellen Verkaufs- und Lieferbedingungen
Only our current Terms and Conditions of Sale and Delivery shall apply



LEO-ZQM-149-05-FO