

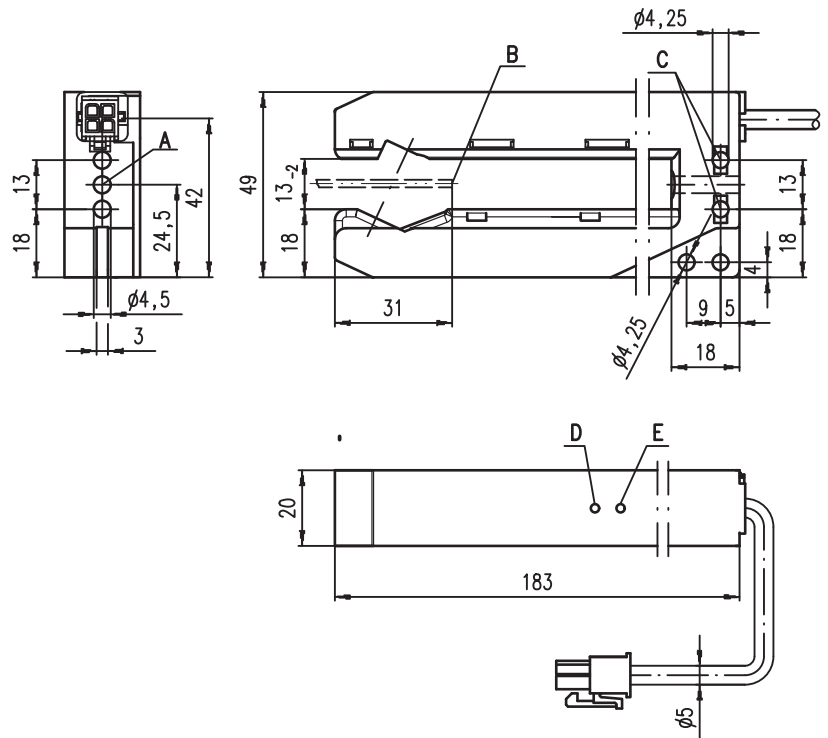
GSU 712/22

Double Sheet Testing Unit

Part No. 501 09509

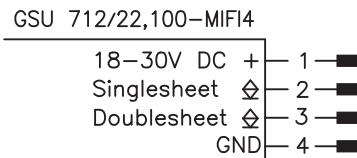


Dimensioned drawing



- A Through hole
- B Minimum intrusion depth of sheet edge
- C Inlay nut M4 possible
- D Red indicator diode
- E Yellow indicator diode

Electrical connection



18 - 30 V
DC

- Reliable detection of multi-layer paper and plastic sheets and metal foils
- Measurement range from 40g/m² paper to 300g/m² cardboard
- Plug connection
- Operating state indicators via light-emitting diodes
- NPN switching outputs



Accessories:

(available separately)

Änderungen vorbehalten • GSU_712_22gb_fm

Specifications

Physical data

Mouth width	13 mm
Mouth depth	166 mm
Minimum intrusion depth	31 mm
Converter frequency	approx. 330 kHz

Timing

Switching frequency	200 Hz
Response time	5 ms
Delay before start-up	≤ 300 ms acc. to IEC 60947-5-2

Electrical data

Operating voltage U_B	18 ... 30 VDC (incl. residual ripple)
Residual ripple	≤ 15% of U_B
Open-circuit current	≤ 40 mA
Switching outputs	2 NPN transistor outputs
Function characteristics	single sheet detected, or ≥ 1 sheet double sheet detected, or ≥ 2 sheets
Signal voltage high/low	≥ ($U_B - 2V$) / ≤ 2V
Output current	max. 100 mA per output

Indicators

Yellow LED	single sheet detected
Red LED	double sheet detected

Mechanical data

Housing	plastic
Colour	red
Weight	approx. 100 g
Connection type	MIFI, 4-pin

Environmental data

Ambient temp. (operation/storage)	0°C ... +50°C / -40°C ... +70°C
Protective circuit ¹⁾	1, 2, 3
VDE safety class	II, all-insulated
Protection class	IP 40
Standards applied	IEC 60947-5-2

1) 1=transient protection, 2=polarity reversal protection, 3=short circuit protection for all outputs

Mode of operation

The "singlesheet" output signals that an object is within the detection range. This output may be used to check for presence. A detected double sheet is signalled at the "doublesheet" output.

Order guide

Designation	Part No.
GSU 712/22, 100-MIFI4	501 08699

Remarks

- **Approved purpose:**
The GSU 712 double sheet testing unit is a monitoring unit predominately designed for single sheet checking in paper processing machines.

Attention!

The GSU 712 is not a safety module according to the EU machinery directive.