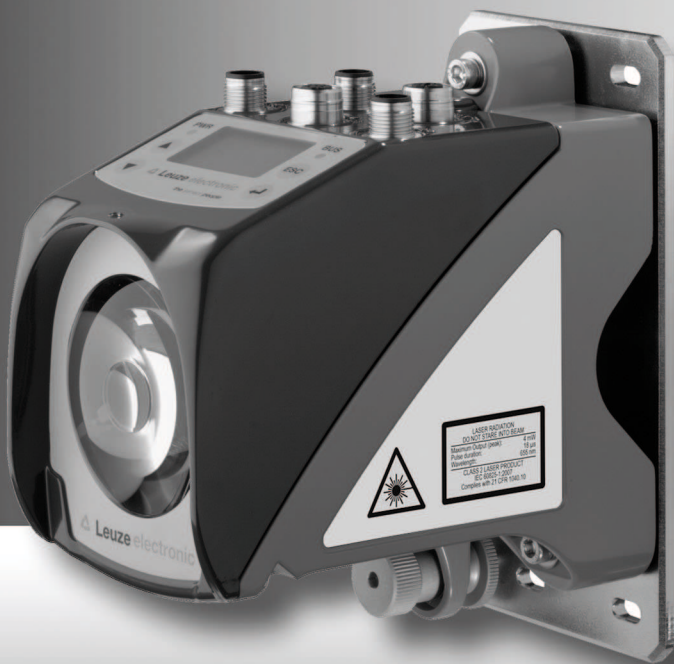


the sensor people

AMS 384*i*

Optical Laser Measurement System
Interbus



en 03-2014/12 50113371
We reserve the right to
make technical changes

© 2014

Leuze electronic GmbH + Co. KG

In der Braike 1

D-73277 Owen - Teck / Germany

Phone: +49 7021 573-0

Fax: +49 7021 573-199

<http://www.leuze.com>

info@leuze.de

The main menus

```
AMS 384i 120
Leuze electronic
    GmbH & Co. KG
SW: V 1.3.0 HW:1
SN: -----
```



```
Network information
Ident Code: 0x32
Baud rate: 500 kbit/s
```



```
IO1 LSR PLB IBS
IO2 TMP ATT
ERR
+ 87.000m
```



```
Parameter
Parameter handlin
Interbus
Position value
I/O
Other
```



```
Language selection
o Deutsch
o English
o Español
o Français
o Italiano
```



```
Service
Status messages
Diagnostics
Expanded diagnostics
```

Device information - main menu

This menu item contains detailed information on

- device model,
- manufacturer,
- software and hardware version,
- serial number.

No entries can be made via the display.

Network information - main menu

Explanations of Ident code and baud rate.

No entries can be made via the display.

Status- and measurement data - main menu

- Display of status-, warning-, and error messages.
- Status overview of the switching inputs/outputs.
- Bar graph for the reception level.
- Activated interface.
- Measurement value.

No entries can be made via the display.

See "Indicators in the display" on page 37.

Parameter - main menu

- Configuration of the AMS.

See "Parameter menu" on page 42.

Language selection - main menu

- Selection of the display language.

See "Language selection menu" on page 45.





Service - main menu

- Display of status messages.
- Display of diagnostic data.

No entries can be made via the display.

See "Service menu" on page 45.

Device buttons:

-  Navigate upward/laterally
-  Navigate downward/laterally
-  ESCAPE leave
-  ENTER confirm

Input of values

```
100
<-0123456789 save
Standard ----- Unit
126 | |
```

 +  Delete character

 ...  +  Enter digit

save +  Save input

1	General information	4
1.1	Explanation of symbols	4
1.2	Declaration of conformity	4
1.3	Description of functions AMS 384 <i>i</i>	5
2	Safety	6
2.1	Intended use	6
2.2	Foreseeable misuse	7
2.3	Competent persons	7
2.4	Disclaimer	8
2.5	Laser safety notices	8
3	Fast commissioning / operating principle	11
3.1	Mounting the AMS 384 <i>i</i>	11
3.1.1	Mounting the device	11
3.1.2	Mounting the reflector	11
3.2	Connecting the voltage supply	12
3.3	Display	12
3.4	AMS 384 <i>i</i> on the Interbus	12
4	Specifications	13
4.1	Specifications of the laser measurement system	13
4.1.1	General specifications AMS 384 <i>i</i>	13
4.1.2	Dimensioned drawing AMS 384 <i>i</i>	15
4.1.3	Type overview AMS 384 <i>i</i>	16
5	Installation and mounting	17
5.1	Storage, transportation	17
5.2	Mounting the AMS 384 <i>i</i>	18
5.2.1	Optional mounting bracket	20
5.2.2	Parallel mounting of the AMS 384 <i>i</i>	21
5.2.3	Parallel mounting of AMS 384 <i>i</i> and DDLS optical data transmission	22
5.3	Mounting the AMS 384 <i>i</i> with laser beam deflector unit	23
5.3.1	Mounting the laser beam deflector unit With integrated mounting bracket	23
5.3.2	Dimensioned drawing of US AMS 01 deflector unit	24
5.3.3	Mounting the US 1 OMS deflector unit without mounting bracket	25

6	Reflectors	26
6.1	General information	26
6.2	Description of the reflective tape	26
6.2.1	Specifications of the self-adhesive foil	27
6.2.2	Specifications of the reflective tape on a metal plate	27
6.2.3	Dimensioned drawing of reflective tape on a metal plate	28
6.2.4	Specifications of heated reflectors	29
6.2.5	Dimensioned drawing of heated reflectors	30
6.3	Selecting reflector sizes	31
6.4	Mounting the reflector	32
6.4.1	General information	32
6.4.2	Mounting the reflector	32
6.4.3	Table of reflector pitches	35
7	Electrical connection	36
7.1	Safety notices for the electrical connection	36
7.2	PWR – voltage supply / switching input/output	37
7.3	Interbus BUS IN	37
7.4	Interbus BUS OUT	38
7.5	Service	38
8	Display and control panel AMS 384i	39
8.1	Structure of the control panel	39
8.2	Status display and operation	39
8.2.1	Indicators in the display	39
8.2.2	LED status displays	41
8.2.3	Control buttons	42
8.3	Menu description	43
8.3.1	The main menus	43
8.3.2	Parameter menu	44
8.3.3	Language selection menu	47
8.3.4	Service menu	47
8.4	Operation	47
9	Interbus interface	50
9.1	General information on Interbus	50
9.2	Interbus electrical connection	50

9.3	Interbus shielding and grounding concept	51
9.3.1	Interbus - voltage supply electrical connection	51
9.4	Interbus Ident number of the AMS 384 <i>i</i>	52
9.5	Interbus data format - 32-bit input data	52
9.5.1	Default settings of the Interbus interface	54
10	Diagnostics and troubleshooting	55
10.1	Service and diagnostics in the display of the AMS 384 <i>i</i>	55
10.1.1	Status messages	55
10.1.2	Diagnostics	56
10.1.3	Expanded diagnostics	56
10.2	General causes of errors	57
10.2.1	Power LED	57
10.3	Interface errors.	57
10.3.1	BUS LED	57
10.4	Status display in the display of the AMS 384 <i>i</i>	57
11	Type overview and accessories	59
11.1	Type key	59
11.2	Type overview AMS 384 <i>i</i> (Interbus)	59
11.3	Overview of reflector types	60
11.4	Accessories	60
11.4.1	Accessory mounting bracket	60
11.4.2	Accessory deflector unit	60
11.4.3	Accessory M12 connector	60
11.4.4	Accessory ready-made cables for voltage supply	61
11.4.5	Accessory ready-made cables for Interbus	62
12	Maintenance	64
12.1	General maintenance information	64
12.2	Repairs, servicing	64
12.3	Disassembling, packing, disposing	64

1 General information

1.1 Explanation of symbols

The symbols used in this operating manual are explained below.



Attention!

This symbol precedes text messages which must strictly be observed. Failure to comply with this information results in injuries to personnel or damage to the equipment.



Attention Laser!

This symbol warns of possible danger caused by hazardous laser radiation.



Notice!

This symbol indicates text passages containing important information.

1.2 Declaration of conformity

The AMS 384*i* absolute measuring optical laser measurement system was designed and manufactured in accordance with applicable European directives and standards.

The AMS series is "UL LISTED" according to American and Canadian safety standards and fulfills the requirements of Underwriter Laboratories Inc. (UL).



Notice!

The Declaration of Conformity for these devices can be requested from the manufacturer.










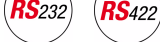
The manufacturer of the product, Leuze electronic GmbH + Co. KG in D-73277 Owen/Teck, possesses a certified quality assurance system in accordance with ISO 9001.



1.3 Description of functions AMS 384*i*

The AMS 384*i* optical laser measurement system calculates distances to fixed as well as moving system parts. The distance to be measured is calculated according to the principle of the propagation time of radiated light. Here, the light emitted by the laser diode is reflected by a reflector onto the receiving element of the laser measurement system. The AMS 384*i* uses the "propagation time" of the light to calculate the distance to the reflector. The high absolute measurement accuracy of the laser measurement system and the fast integration time are designed for position control applications.

With the AMS 3xx*i* product series, Leuze electronic makes available a range of internationally relevant interfaces. Note that each interface version listed below corresponds to a different AMS 3xx*i* model.

- 
AMS 304*i*
- 
AMS 348*i*
- 
AMS 355*i*
- 
AMS 358*i*
- 
AMS 335*i*
- 
AMS 338*i*
- 
AMS 308*i*
- 
AMS 384*i*
- 
AMS 301*i*
- 
AMS 300*i*

2 Safety

This sensor was developed, manufactured and tested in line with the applicable safety standards. It corresponds to the state of the art.

2.1 Intended use

The AMS is an absolute measuring optical laser measurement system which allows distance measurement of up to 300m against a reflector.

Areas of application

The AMS is designed for the following areas of application:

- Positioning of automated, moving plant components
- Travel and lifting axes of high-bay storage devices
- Repositioning units
- Gantry crane bridges and their trolleys
- Lifts
- Electroplating plants



CAUTION

Observe intended use!

↪ Only operate the device in accordance with its intended use. The protection of personnel and the device cannot be guaranteed if the device is operated in a manner not complying with its intended use.

Leuze electronic GmbH + Co. KG is not liable for damages caused by improper use.

↪ Read the technical description before commissioning the device. Knowledge of this technical description is an element of proper use.

NOTICE

Comply with conditions and regulations!

↪ Observe the locally applicable legal regulations and the rules of the employer's liability insurance association.



Attention

For UL applications, use is permitted exclusively in Class 2 circuits according to NEC (National Electric Code).

2.2 Foreseeable misuse

Any use other than that defined under "Intended use" or which goes beyond that use is considered improper use.

In particular, use of the device is not permitted in the following cases:

- Rooms with explosive atmospheres
- Circuits relevant to safety
- For medicinal purposes

NOTICE

Do not modify or otherwise interfere with the device.

- ↳ Do not carry out modifications or otherwise interfere with the device.
The device must not be tampered with and must not be changed in any way.
The device must not be opened. There are no user-serviceable parts inside.
Repairs must only be performed by Leuze electronic GmbH + Co. KG.

2.3 Competent persons

Connection, mounting, commissioning and adjustment of the device must only be carried out by competent persons.

Prerequisites for competent persons:

- They have a suitable technical education.
- They are familiar with the rules and regulations for occupational safety and safety at work.
- They are familiar with the technical description of the device.
- They have been instructed by the responsible person on the mounting and operation of the device.

Certified electricians

Electrical work must be carried out by a certified electrician.

Due to their technical training, knowledge and experience as well as their familiarity with relevant standards and regulations, certified electricians are able to perform work on electrical systems and independently detect possible dangers.

In Germany, certified electricians must fulfill the requirements of accident-prevention regulations BGV A3 (e.g. electrician foreman). In other countries, there are respective regulations that must be observed.

2.4 Disclaimer

Leuze electronic GmbH + Co. KG is not liable in the following cases:

- The device is not being used properly.
- Reasonably foreseeable misuse is not taken into account.
- Mounting and electrical connection are not properly performed.
- Changes (e.g., constructional) are made to the device.

2.5 Laser safety notices



ATTENTION LASER RADIATION – LASER CLASS 2

Never look directly into the beam!

The device satisfies the requirements of IEC 60825-1:2007 (EN 60825-1:2007) safety regulations for a product in **laser class 2** as well as the U.S. 21 CFR 1040.10 regulations with deviations corresponding to "Laser Notice No. 50" from June 24th, 2007.

- ↵ Never look directly into the laser beam or in the direction of reflecting laser beams. If you look into the beam path over a longer time period, there is a risk of injury to the retina.
- ↵ Do not point the laser beam of the device at persons!
- ↵ Interrupt the laser beam using a non-transparent, non-reflective object if the laser beam is accidentally directed towards a person.
- ↵ When mounting and aligning the device, avoid reflections of the laser beam off reflective surfaces!
- ↵ CAUTION! The use of operating or adjusting devices other than those specified here or carrying out of differing procedures may lead to dangerous exposure to radiation.
- ↵ Adhere to the applicable legal and local regulations regarding protection from laser beams.
- ↵ The device must not be tampered with and must not be changed in any way. There are no user-serviceable parts inside the device. Repairs must only be performed by Leuze electronic GmbH + Co. KG.

NOTICE

Affix laser information and warning signs!

Laser information and warning signs are attached to the device (see figure 2.1):

In addition, self-adhesive laser warning and information signs (stick-on labels) are supplied in several languages (see figure 2.2).

↪ Affix the laser information sheet to the device in the language appropriate for the place of use.

When using the device in the US, use the stick-on label with the "Complies with 21 CFR 1040.10" notice.

↪ Affix the laser information and warning signs near the device if no signs are attached to the device (e.g., because the device is too small) or if the attached laser information and warning signs are concealed due to the installation position.

Affix the laser information and warning signs so that they are legible without exposing the reader to the laser radiation of the device or other optical radiation.

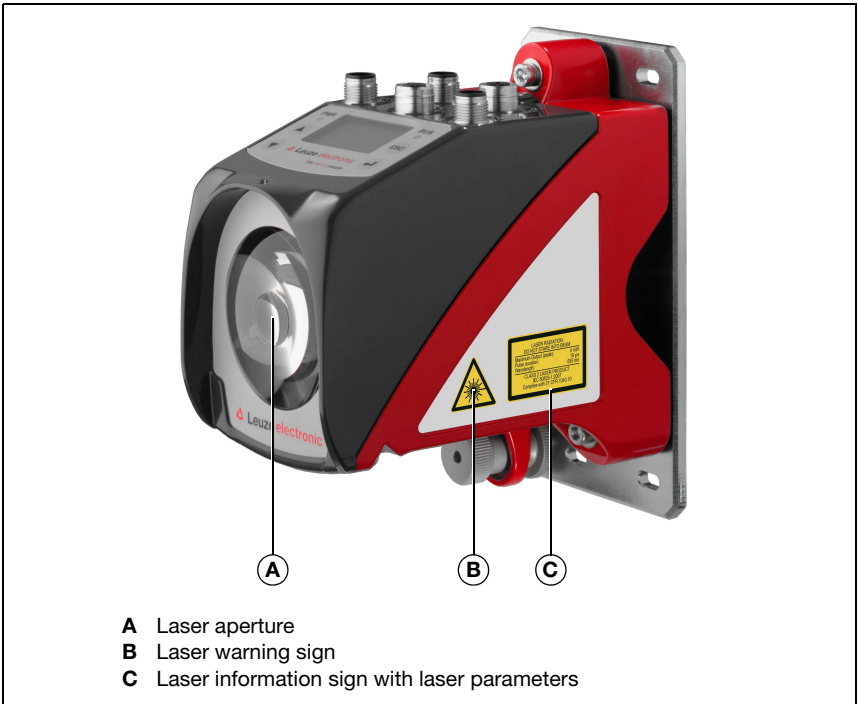


Figure 2.1: Laser apertures, laser warning signs

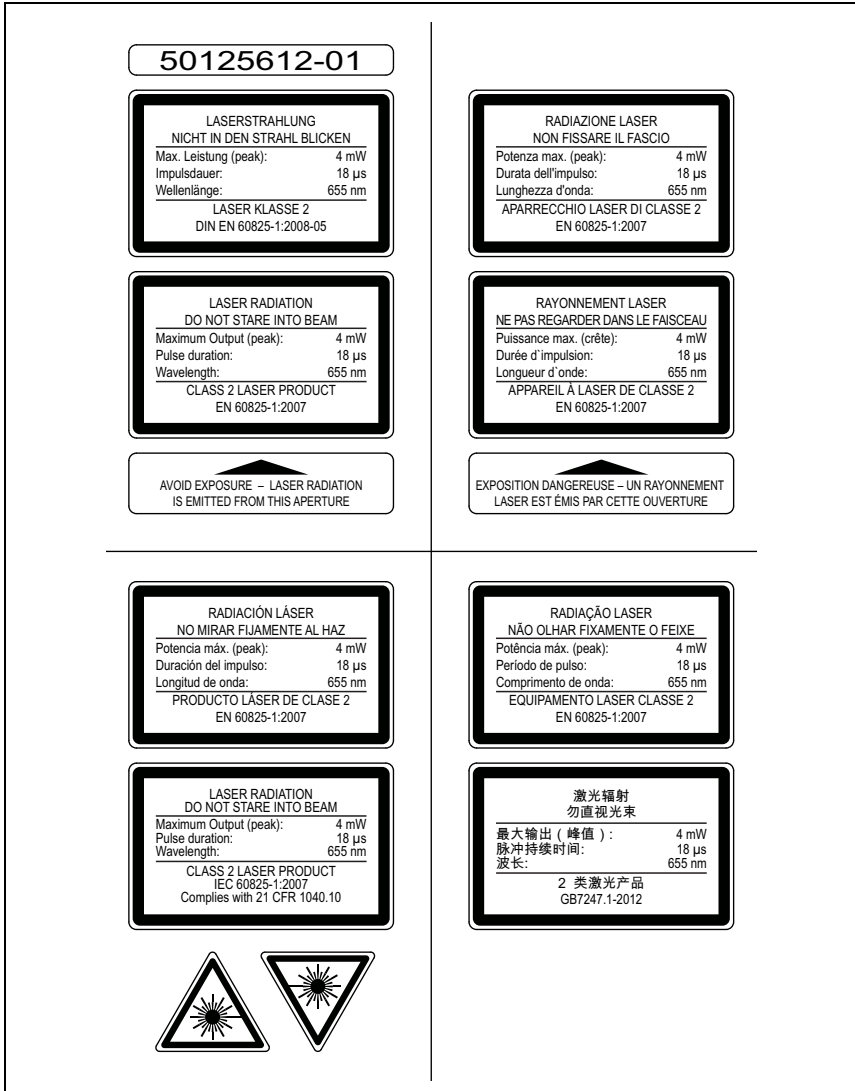


Figure 2.2: Laser warning and information signs – supplied stick-on labels

3 Fast commissioning / operating principle

**Notice!**

Below, you will find a **short description for the initial commissioning** of the AMS 384*i*. Detailed explanations for the listed points can be found throughout the handbook.

3.1 Mounting the AMS 384*i*

The AMS 384*i* and the corresponding reflector are mounted on two mutually opposing, plane-parallel, flat walls.

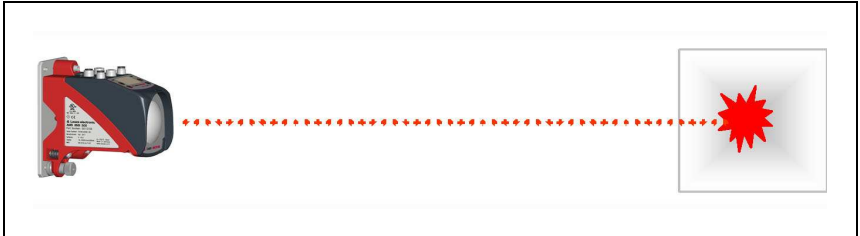


Figure 3.1: Schematic illustration of mounting

**Attention!**

For error-free position measurement, there must be an unobstructed line-of-sight between the AMS 384*i* and the reflector.

3.1.1 Mounting the device

The laser is mounted on a vertical wall using 4 screws (M5).

Alignment is performed using 2 adjustment screws. Adjust so that the laser light spot is positioned at the center of the reflector. The alignment is to be secured with the knurled nut and locked with the M5 nut.

Further information can be found in chapter 5.2 and chapter 5.3.

3.1.2 Mounting the reflector

The reflector is mounted on a vertical wall with 4 screws (M5). The reflector is angled using the included shims. Incline the reflector by approx. 1°.

Detailed information can be found in chapter 6.4.



3.2 Connecting the voltage supply

The laser measurement system is connected using M12 connectors. The voltage supply is connected via the **PWR** M12 connection.

Detailed information can be found in chapter 7.

3.3 Display

Once the laser measurement system is supplied with voltage, the device status as well as the measured position values can be read on the display. The display automatically switches to the display of the measurement values.

Use the up/down buttons   to the left of the display to read and change a wide range of data and parameters.

Depending on connected interface, the network address or IP addresses must be configured via the display.

Detailed information can be found in chapter 8.

3.4 AMS 384*i* on the Interbus

The laser measurement system is delivered with preset Interbus parameters. The AMS 384*i* is classified with Ident code 32_H, which is stored in the control. The AMS 384*i* is connected via the BUS IN M12 connection or, in the case of a continuing network, via BUS OUT.

Detailed information can be found in chapter 9.

4 Specifications

4.1 Specifications of the laser measurement system

4.1.1 General specifications AMS 384*i*

Measurement data	AMS 384 <i>i</i> 40 (H)	AMS 384 <i>i</i> 120 (H)	AMS 384 <i>i</i> 200 (H)	AMS 384 <i>i</i> 300 (H)
Measurement range	0.2 ... 40m	0.2 ... 120m	0.2 ... 200m	0.2 ... 300m
Accuracy	± 2mm	± 2mm	± 3mm	± 5mm
Consistency ¹⁾	0.3mm	0.5mm	0.7mm	1.0mm
Light spot diameter	≤ 40mm	≤ 100mm	≤ 150mm	≤ 225mm
Measurement value output	1.7ms			
Integration time	8ms			
Resolution	adjustable, see chapter of the individual interfaces			
Temperature drift	≤ 0.1 mm/K			
Ambient temperature sensitivity	1 ppm/K			
Air pressure sensitivity	0.3ppm/hPa			
Traverse rate	≤ 10m/s			
Electrical data				
Supply voltage V_{in} ²⁾	18 ... 30VDC			
Current consumption	without device heating: ≤ 250mA / 24VDC with device heating: ≤ 500mA / 24VDC			
Optical data				
Transmitter	laser diode, red light, wavelength 650 ... 690nm			
Laser class	2 acc. to EN 60825-1, CDRH			
Interfaces				
InterBus remote bus	500kbit/s / 2Mbit/s			
Operating and display elements				
Keyboard	4 buttons			
Display	monochromatic graphical display, 128 x 64 pixels			
LED	2 LEDs, two-colored			

Inputs/outputs

Quantity	2, programmable
Input	protected against polarity reversal
Output	max. 60mA, short-circuit proof

Mechanical data

Housing	cast zinc and aluminum
Optics	glass
Weight	approx. 2.45kg
Protection class	IP 65 acc. to EN 60529 ³⁾

Environmental conditions

Operating temperature	
without device heating	-5°C ... +50°C
with device heating	-30°C ... +50°C ⁴⁾
Storage temperature	-30°C ... +70°C
Air humidity	max. 90% rel. humidity, non-condensing

Mechanical/electrical loading capacity

Vibrations	acc. to EN 60068-2-6
Noise	acc. to EN 60060-2-64
Shock	acc. to EN 60068-2-27
EMC	acc. to EN 61000-6-2 and EN 61000-6-4 ⁵⁾

- 1) Statistical error: 1 sigma; minimum switch-on time: 2min.
- 2) For UL applications: only for use in "Class 2" circuits acc. to NEC.
- 3) With screwed-on M12 plugs or mounted caps.
- 4) With devices with heating, the switch on/off area of the internal heating can be extended to prevent condensation from forming. A 100% prevention of the formation of condensation cannot be guaranteed due to the limited heating capacity of the AMS 384*i*.
- 5) This is a Class A product. In a domestic environment this product may cause radio interference, in which case the operator may be required to take adequate measures.



The AMS 384*i* is designed in accordance with safety class III for supply with PELV (protective extra-low voltage).

4.1.2 Dimensioned drawing AMS 384*i*

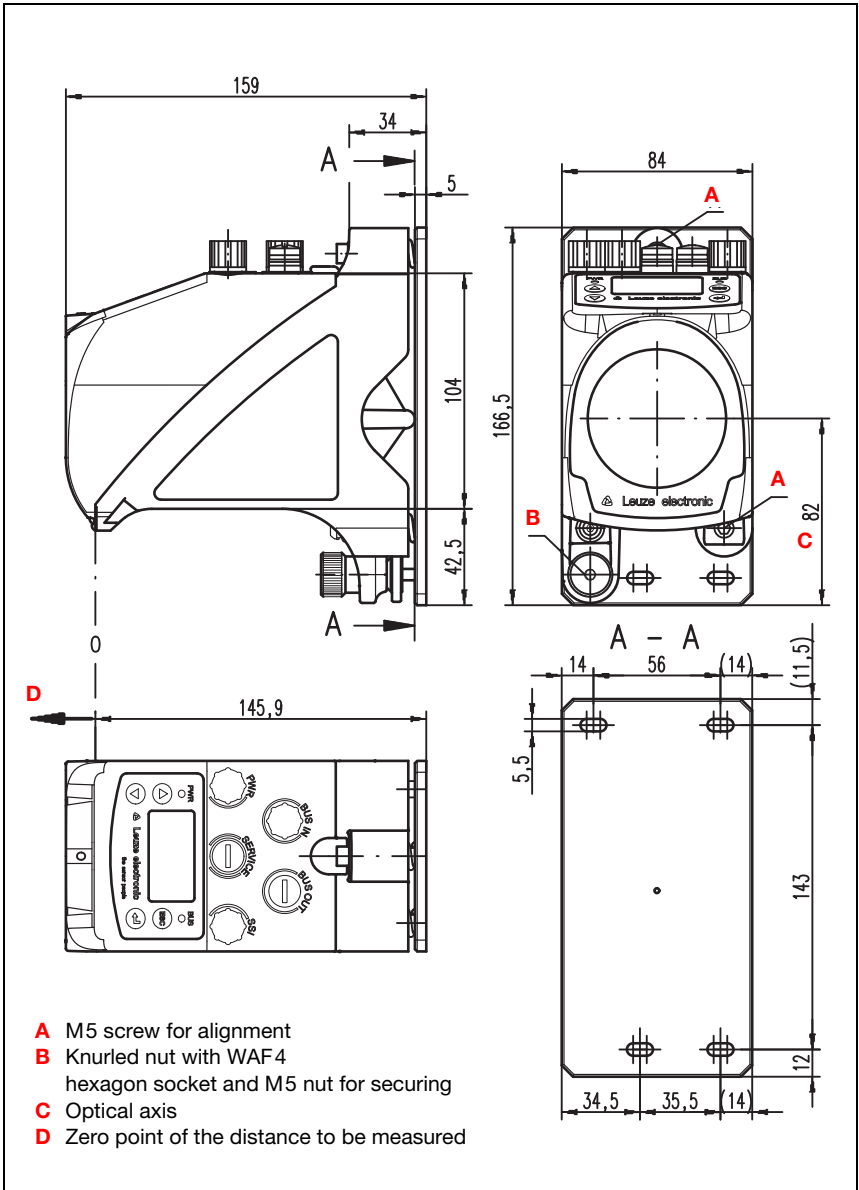


Figure 4.1: Dimensioned drawing AMS 384*i*

4.1.3 Type overview AMS 384*i*

AMS 384*i* (Interbus)

Type designation	Description	Part no.
AMS 384 <i>i</i> 40	40m operating range, Interbus interface	50113733
AMS 384 <i>i</i> 120	120m operating range, Interbus interface	50113734
AMS 384 <i>i</i> 200	200m operating range, Interbus interface	50113735
AMS 384 <i>i</i> 300	300m operating range, Interbus interface	50113736
AMS 384 <i>i</i> 40 H	40m operating range, Interbus interface, integrated heating	50113737
AMS 384 <i>i</i> 120 H	120m operating range, Interbus interface, integrated heating	50113738
AMS 384 <i>i</i> 200 H	200m operating range, Interbus interface, integrated heating	50113739
AMS 384 <i>i</i> 300 H	300m operating range, Interbus interface, integrated heating	50113740

Table 4.1: Type overview AMS 384*i*

5 Installation and mounting

5.1 Storage, transportation



Attention!

When transporting or storing, package the device so that it is protected against collision and humidity. Optimum protection is achieved when using the original packaging. Heed the required environmental conditions specified in the technical data.

Unpacking

- ↳ Check the packaging for any damage. If damage is found, notify the post office or shipping agent as well as the supplier.
- ↳ Check the delivery contents using your order and the delivery papers:
 - Delivered quantity
 - Device type and model as indicated on the nameplate
 - Brief manual

The name plate provides information as to what AMS 384*i* type your device is. For specific information, please refer to chapter 11.2.

Name plates

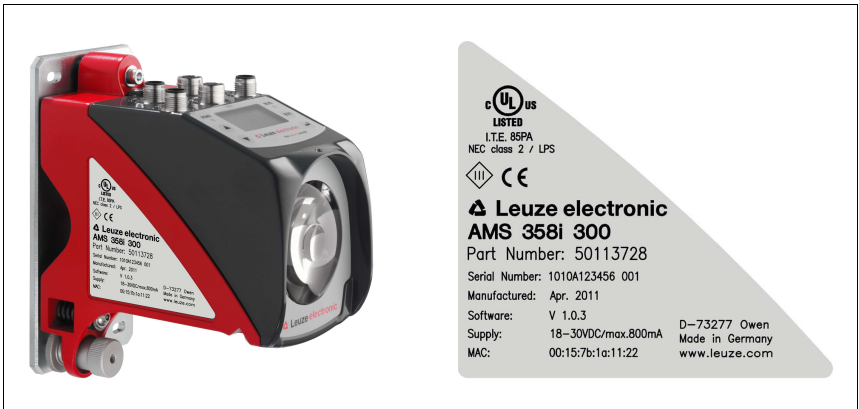


Figure 5.1: Device name plate using the AMS 300*i* as an example




Notice!

Please note that the shown name plate is for illustration purposes only; the contents do not correspond to the original.

- ↳ Save the original packaging for later storage or shipping.

If you have any questions concerning your shipment, please contact your supplier or your local Leuze electronic sales office.

 Observe the applicable local regulations when disposing of the packaging materials.

5.2 Mounting the AMS 384*i*

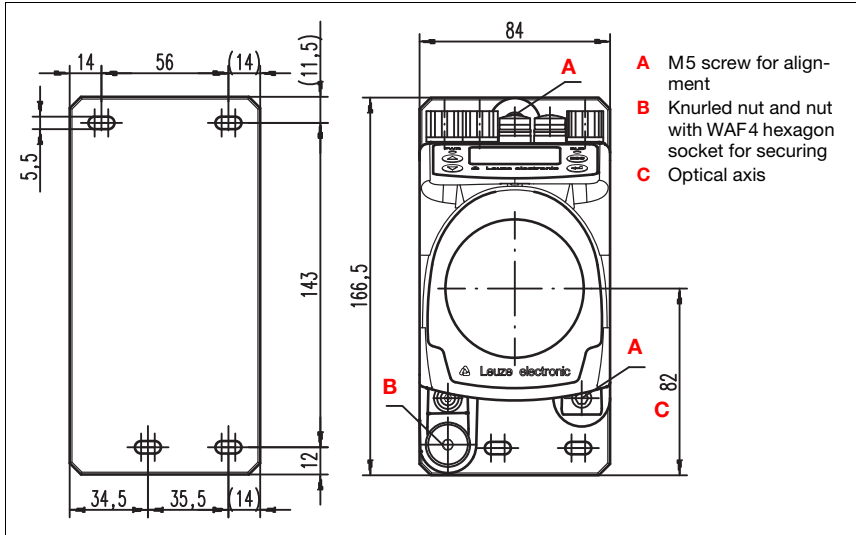


Figure 5.2: Mounting the device

The AMS 384*i* and the corresponding reflector are mounted on two mutually opposing, plane-parallel, flat walls or system parts. For error-free position measurement, there must be an unobstructed line-of-sight connection between the AMS 384*i* and the reflector.

Use M5 screws to fasten the laser measurement system. Secure the screws with a toothed lock washer to protect against loosening caused by vibrations.

Aligning the laser light spot in the center of the reflector

The laser light spot has to be aligned so that it always hits the center of the opposing reflector, both at close range as well as at the maximum measurement distance. **To align, use the two M5 Allen screws** ("A" in figure 5.2). When aligning please ensure that the knurled nut and the lock nut ("B" in figure 5.2) are opened wide.

***Attention!***

To prevent the laser measurement system from moving out of alignment during continuous operation, subsequently hand-tighten the knurled nut and counterlock with the nut with WAF4 hexagon socket ("B" in figure 5.2). Knurled nut and nut must not be tightened until alignment has been completed.

***Attention!***

The device must not be opened. Failure to comply will render the guarantee void. Warranted features cannot be guaranteed after the device has been opened.

5.2.1 Optional mounting bracket

A mounting bracket for mounting the AMS 384*i* on a flat, horizontal surface is available as an optional accessory.

Type designation: MW OMS/AMS 01

Part no.: 50107255

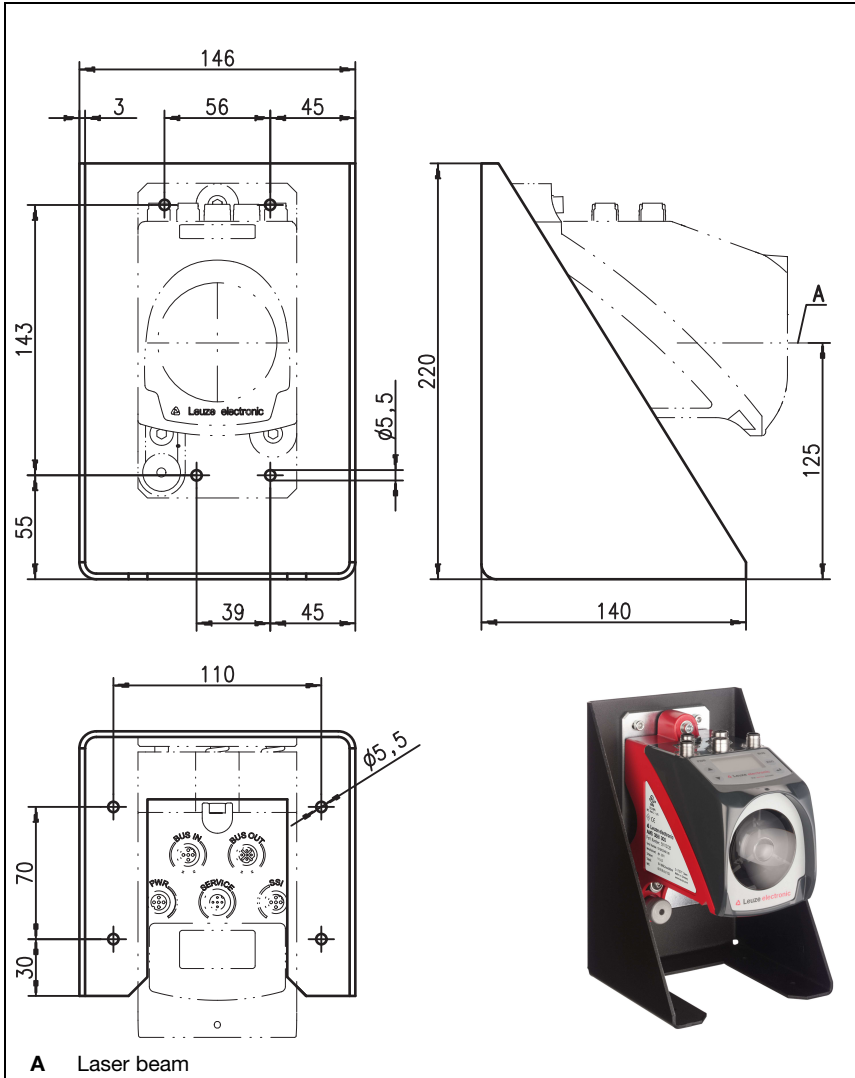


Figure 5.3: Optional mounting bracket

5.2.2 Parallel mounting of the AMS 384*i*

Definition of the term "parallel spacing"

As shown in figure 5.4, dimension X describes the "parallel spacing" of the inner edges of the two laser light spots on the reflector.

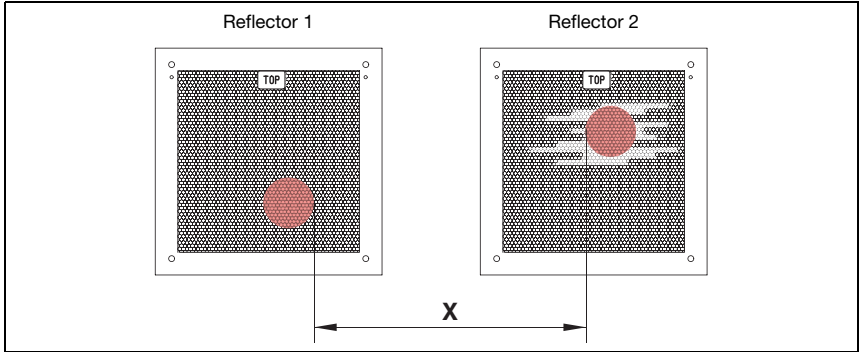


Figure 5.4: Minimum parallel spacing X between adjacent AMS 384*i*

The diameter of the light spot increases with distance.

	AMS 384 <i>i</i> 40 (H)	AMS 384 <i>i</i> 120 (H)	AMS 384 <i>i</i> 200 (H)	AMS 384 <i>i</i> 300 (H)
Max. measurement distance	40m	120m	200m	300m
Light spot diameter	≤ 40mm	≤ 100mm	≤ 150mm	≤ 225mm

Thus, the center-to-center spacing of the two AMS 384*i* devices with respect to one another can be calculated as a function of the maximum measurement distance.

To define the minimum parallel spacing between two AMS 384*i*, it is necessary to distinguish between three different arrangements of AMS 384*i* and reflectors.

The AMS 384*i* are mounted stationary and in parallel on one plane. Both reflectors move independently of one another at different distances to the AMS 384*i*.

Minimum parallel spacing X of the two laser light spots:
 $X = 100\text{mm} + (\text{max. measurement distance in mm} \times 0.01)$

The AMS 384*i* are mounted stationary and in parallel on one plane. Both reflectors move in parallel at the same distance to the AMS 384*i*.

- Measurement distance up to 120m: minimum parallel spacing **X ≥ 600mm**
- Measurement distance up to 200m: minimum parallel spacing **X ≥ 750mm**
- Measurement distance up to 300m: minimum parallel spacing **X ≥ 750mm**

The reflectors are mounted stationary and in parallel on one plane. Both AMS 384i move independently of one another at different or the same distances to the reflectors.

Measurement distance **up to 120m**: minimum parallel spacing **X ≥ 600mm**

Measurement distance **up to 200m**: minimum parallel spacing **X ≥ 750mm**

Measurement distance **up to 300m**: minimum parallel spacing **X ≥ 750mm**



Notice!

Please note that when the AMS 384i are mounted in a mobile manner, travel tolerances could cause the two laser light spots to move towards each other.

Take the travel tolerances of the vehicle into account when defining the parallel spacing of adjacent AMS 384i.

5.2.3 Parallel mounting of AMS 384i and DDLS optical data transmission

The optical data transceivers of the DDLS series and the AMS 384i do not interfere with one another. Depending on the size of the used reflector, the DDLS can be mounted with a minimum parallel spacing of 100mm to the AMS 384i. The parallel spacing is independent of the distance.

5.3 Mounting the AMS 384*i* with laser beam deflector unit

General information

The two available deflector units are used for the 90° deflection of the laser beam, see "Accessory deflector unit" on page 60.



Attention!

The deflector units are designed for a maximum range of 40m. Longer distances on request.

5.3.1 Mounting the laser beam deflector unit With integrated mounting bracket

The AMS 384*i* is screwed onto the mechanism of the US AMS 01 deflector unit. The mirror can be mounted for three deflection directions:

1. Upward beam deflection
2. Beam deflection to the left
3. Beam deflection to the right

The deflector unit is mounted on plane-parallel, flat walls or plant components. For error-free position measurement, there must be an interruption-free line-of-sight between the AMS 384*i*... and the deflection mirror as well as between the mirror and the reflector.

Use the M5 screws to mount the deflector unit. Secure the screws with a toothed lock washer to protect against loosening caused by vibrations.

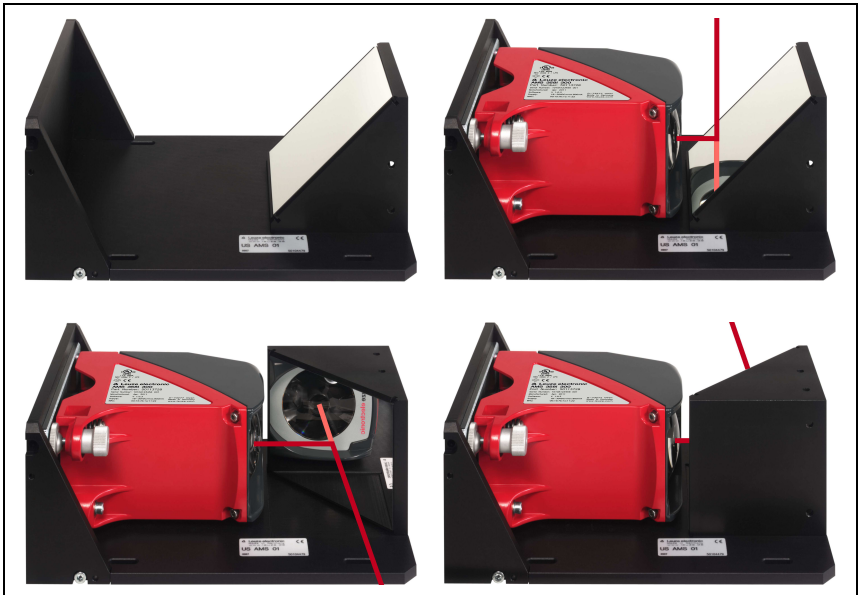


Figure 5.5: Mounting variants of the US AMS 01 laser beam deflector unit

5.3.2 Dimensioned drawing of US AMS 01 deflector unit

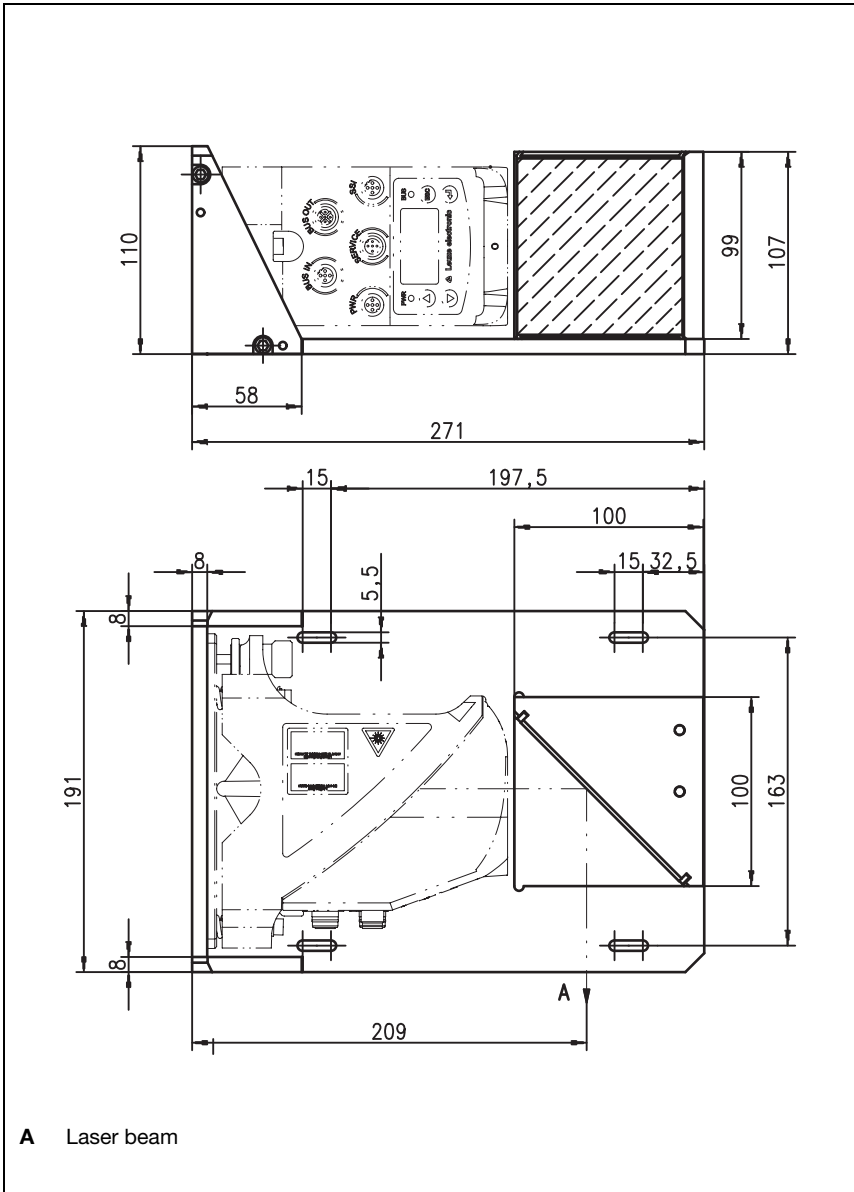


Figure 5.6: Dimensioned drawing of US AMS 01 deflector unit

5.3.3 Mounting the US 1 OMS deflector unit without mounting bracket

The US 1 OMS deflector unit and the AMS 384*i* are mounted separately.



Notice!

When mounting, make certain that the laser light spot of the AMS 384*i* is aligned in the center of the deflection mirror.

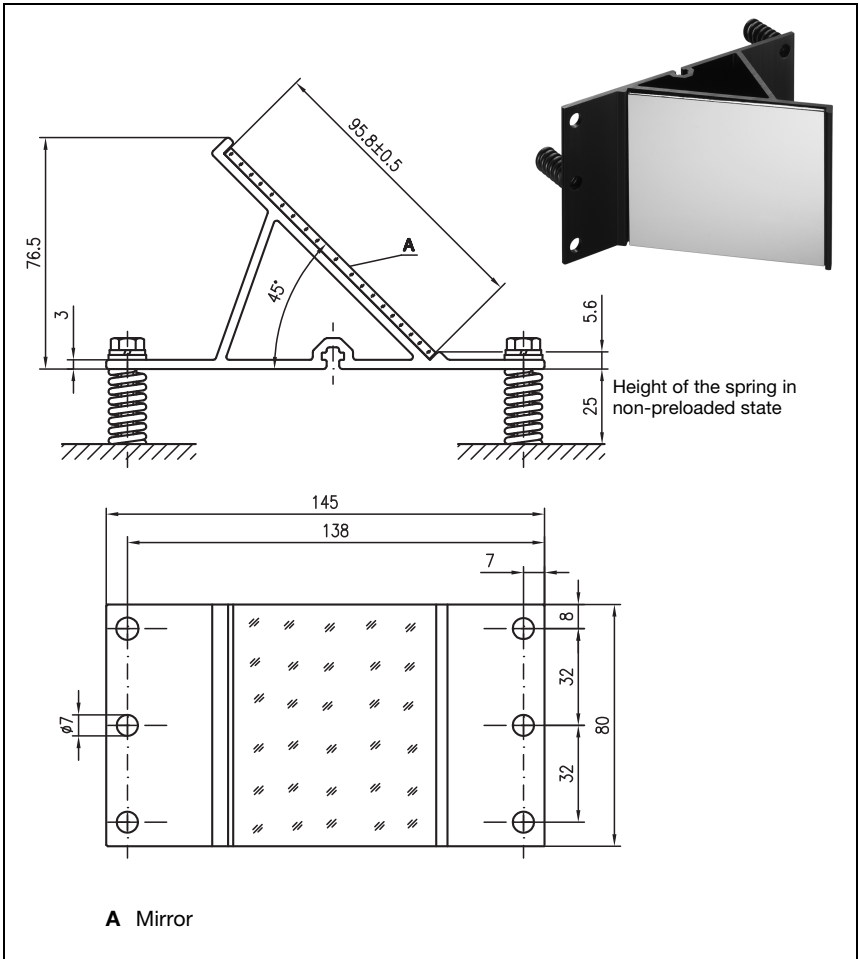


Figure 5.7: Photo and dimensioned drawing of the US 1 OMS deflector unit

Alignment of the laser light spot on the reflector is performed as described in chapter 5.2.

6 Reflectors

6.1 General information

The AMS 384*i* measures distances against a reflective tape specified by Leuze electronic. All provided specifications for the AMS 384*i*, such as the operating range or accuracy, can only be achieved with the reflective tape specified by Leuze electronic.

The reflective tapes are available as adhesive tapes, affixed to a metal plate and with an integrated heater especially for use at low temperatures. Reflective tapes with heating have the designation "**Reflective tape ...x...-H**", where "**H**" is an abbreviation for the heating variant.

The reflective tapes/reflectors must be ordered separately. The choice of size is left to the user. In chapter 6.3, recommendations on reflector size are provided as a function of the distance that is to be measured. In any case, the user must check to determine whether the recommendation is suitable for the respective application.

6.2 Description of the reflective tape

The reflective tape consists of a white, microprism-based reflective material. The microprisms are protected with a highly transparent, hard protective layer.

Under certain circumstances, the protective layer may lead to surface reflections. The surface reflections can be directed past the AMS 384*i* by positioning the reflective tape at a slight incline. The inclination of the reflective tape/reflectors is described in chapter 6.4.2. The required pitch can be found in table 6.1 "Reflector pitch resulting from spacer sleeves" on page 35.

The reflective tapes are provided with a protective foil that can easily be pulled off. This must be removed from the reflector before the complete system is put into operation.

6.2.1 Specifications of the self-adhesive foil

	Part		
Type designation	Reflective tape 200x200-S	Reflective tape 500x500-S	Reflective tape 914x914-S
Part no.	50104361	50104362	50108988
Foil size	200x200mm	500x500mm	914x914mm
Recommended application temperature for adhesive tape	+5°C ... +25°C		
Temperature resistance, affixed	-40°C ... +80°C		
Mounting surface	The mounting surface must be clean, dry and free of grease.		
Cutting the tape	Cut with a sharp tool, always on the side of the prism structure.		
Cleaning	Do not use any agents that act with a grinding effect. A conventional household detergent can be used as a cleaning agent. Rinse with clear water and dry the surface.		
Storing the foil	Store in a cool and dry place.		

6.2.2 Specifications of the reflective tape on a metal plate

The reflective tape is affixed to a metal plate. Included with the metal plate are spacers for positioning at an incline - for avoiding surface reflections - (see chapter 6.4.2 "Mounting the reflector").

	Part		
Type designation	Reflective tape 200x200-M	Reflective tape 500x500-M	Reflective tape 914x914-M
Part no.	50104364	50104365	50104366
Foil size	200x200mm	500x500mm	914x914mm
Outer dimensions of the metal plate	250x250mm	550x550mm	964x964mm
Weight	0.8kg	4kg	25kg
Cleaning	Do not use any agents that act with a grinding effect. A conventional household detergent can be used as a cleaning agent. Rinse with clear water and dry the surface.		
Storing the reflector	Store in a cool and dry place.		

6.2.3 Dimensioned drawing of reflective tape on a metal plate

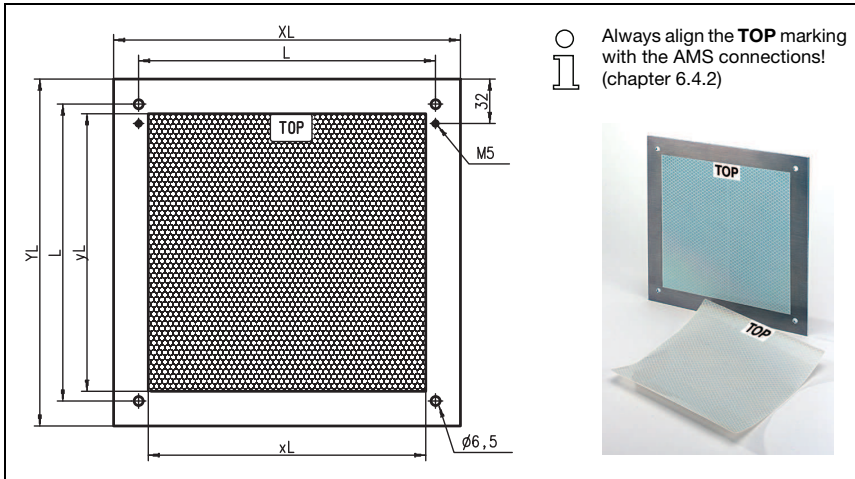


Figure 6.1: Dimensioned drawing of reflectors

Part	Reflective tape (mm)		Reflector plate (mm)		
	xL	yL	XL	YL	L
Reflective tape 200x200-M	200	200	250	250	214
Reflective tape 500x500-M	500	500	550	550	514
Reflective tape 914x914-M	914	914	964	964	928

6.2.4 Specifications of heated reflectors

The reflective tape is affixed to a heated, thermally insulated base. The insulation results in a very high energetic efficiency.

Only the reflective tape is kept at the specified temperature by the integrated heater. Through the insulation on the back, the generated heat cannot be transferred via the steel construction. Energy costs are greatly reduced in the case of continuous heating.

	Part		
Type designation	Reflective tape 200x200-H	Reflective tape 500x500-H	Reflective tape 914x914-H
Part no.	50115020	50115021	50115022
Voltage supply	230VAC		
Power	100W	600W	1800W
Current consumption	~ 0.5A	~ 3A	~ 8A
Length of the supply line	2 m		
Size of the reflective tape	200x200mm	500x500mm	914x914mm
Outer dimensions of the base material	250x250mm	550x550mm	964x964mm
Weight	0.5kg	2.5kg	12kg
Temperature control	Controlled heating with the following switch-on and switch-off temperatures, measured at the reflector surface.		
Switch-on temperature	~ 5°C		
Switch-off temperature	~ 20°C		
Operating temperature	-30°C ... +70°C		
Storage temperature	-40°C ... +80°C		
Air humidity	Max. 90%, non-condensing.		
Cleaning	Do not use any agents that act with a grinding effect. A conventional household detergent can be used as a cleaning agent. Rinse with clear water and dry the surface.		
Storing the reflector	Store in a cool and dry place.		

6.2.5 Dimensioned drawing of heated reflectors

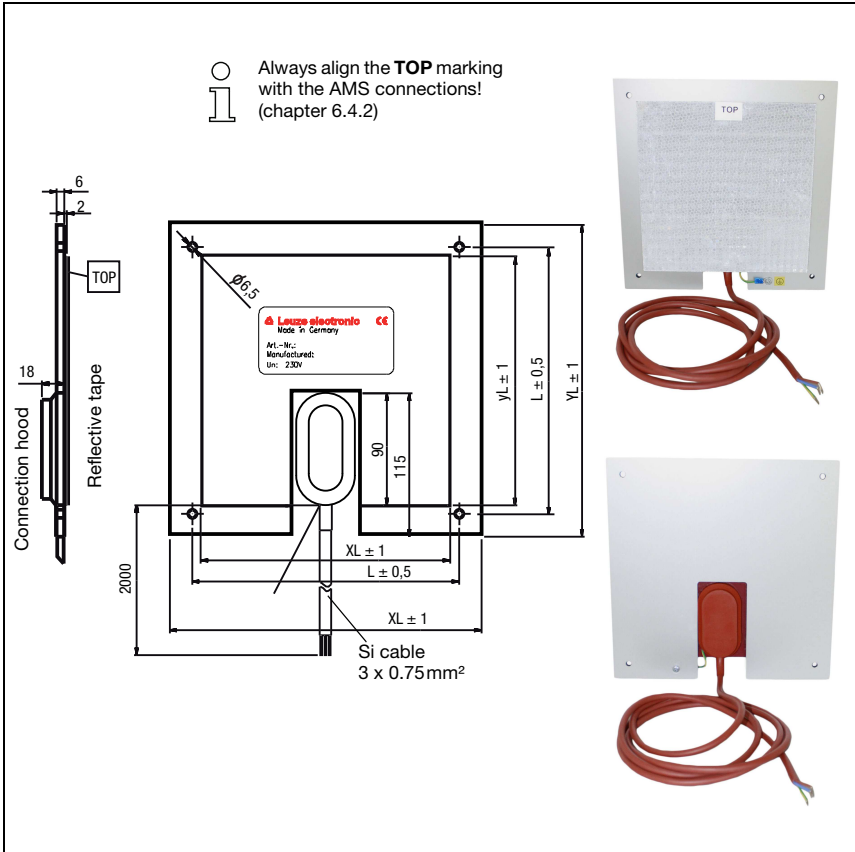


Figure 6.2: Dimensioned drawing of heated reflectors

Part	Reflective tape (mm)		Insulated base plate (mm)		
	xL	yL	XL	YL	L
Reflective tape 200x200-H	200	200	250	250	214
Reflective tape 500x500-H	500	500	550	550	514
Reflective tape 914x914-H	914	914	964	964	928

6.3 Selecting reflector sizes

Depending on system design, the reflector can be mounted so that it travels on the vehicle or it can be mounted at a fixed location.



Attention!

The reflector sizes shown below are a recommendation from Leuze electronic for on-vehicle mounting of the AMS 384*i*. For stationary mounting of the AMS 384*i*, a smaller reflector is generally sufficient for all measurement distances.

On the basis of the system planning and design, always check whether mechanical travel tolerances may require the use of a reflector larger than that which is recommended. This applies, in particular, when the laser measurement system is mounted on a vehicle. During travel, the laser beam must reach the reflector without interruption. For on-vehicle mounting of the AMS 384*i*, the reflector size must accommodate any travel tolerances that may arise and the associated "wandering" of the light spot on the reflector.

Overview of reflector types

Recommended reflector sizes			
AMS 384 <i>i</i> selection (Operating range in m)	Recommended reflector size (H x W)	Type designation ...-S = Self-adhesive ...-M = metal plate ...-H = heating	Part no.
AMS 384 <i>i</i> 40 (max. 40m)	200x200 mm	Reflective tape 200x200-S Reflective tape 200x200-M Reflective tape 200x200-H	50104361 50104364 50115020
AMS 384 <i>i</i> 120 (max. 120m)	500x500 mm	Reflective tape 500x500-S Reflective tape 500x500-M Reflective tape 500x500-H	50104362 50104365 50115021
AMS 384 <i>i</i> 200 (max. 200m)	749x914 mm 914x914 mm	Reflective tape 749x914-S Reflective tape 914x914-M Reflective tape 914x914-S Reflective tape 914x914-H	50104363 50104366 50108988 50115022
AMS 384 <i>i</i> 300 (max. 300m)	749x914 mm 914x914 mm	Reflective tape 749x914-S Reflective tape 914x914-M Reflective tape 914x914-S Reflective tape 914x914-H	50104363 50104366 50108988 50115022

6.4 Mounting the reflector

6.4.1 General information

Self-adhesive reflective tapes

The reflective tapes of the "Reflective tape ...x...-S" self-adhesive series must be affixed to a flat, clean and grease-free surface. We recommend using a separate metal plate, which is to be provided on-site.

As described in table 6.1, the reflective tape must be angled.

Reflective tapes on metal

The reflective tapes of the "Reflective tape ...x...-M" series are provided with corresponding mounting holes. Spacer sleeves are provided in the packet for achieving the necessary pitch angle. For further information see table 6.1.

Heated reflectors

The reflective tapes of the "Reflective tape ...x...-H" series are provided with corresponding mounting holes. Due to the voltage supply affixed on the rear, the reflector cannot be mounted flat. Included in the package are four distance sleeves in two different lengths. Use the distance sleeves to achieve a base separation to the wall as well as the necessary pitch for avoiding surface reflection. For further information see table 6.1.

The reflector is provided with a 2m-long connection cable for supplying with 230VAC. Connect the cable to the closest power outlet. Observe the current consumptions listed in the specifications.



Attention!

Connection work must be carried out by a certified electrician.

6.4.2 Mounting the reflector

The combination of laser measurement system and reflective tape/reflector is mounted so that the laser light spot hits the tape as centered as possible and without interruption.

For this purpose, use the alignment elements provided on the AMS 384*i*... (see chapter 5.2 "Mounting the AMS 384*i*"). If necessary, remove the protective foil from the reflector.



Attention!

The "TOP" label mounted on the reflectors should be aligned the same as the connections of the AMS 384*i*.

Example:

*If the AMS 384*i* is mounted so that the M12 connections are on the top, the "TOP" label of the reflector is also on the top. If the AMS 384*i* is mounted so that the M12 connections are on the side, the "TOP" label of the reflector is also on the side.*



Notice!

The reflector must be angled. To do this, use the spacer sleeves. Angle the reflectors so that the surface reflections of the foil seal are deflected to the left, right or upwards, chapter 6.4.3 gives the correct pitch with respect to the reflector size and, thus, the length of the spacers.

Reflective tapes ...-S and ...-M

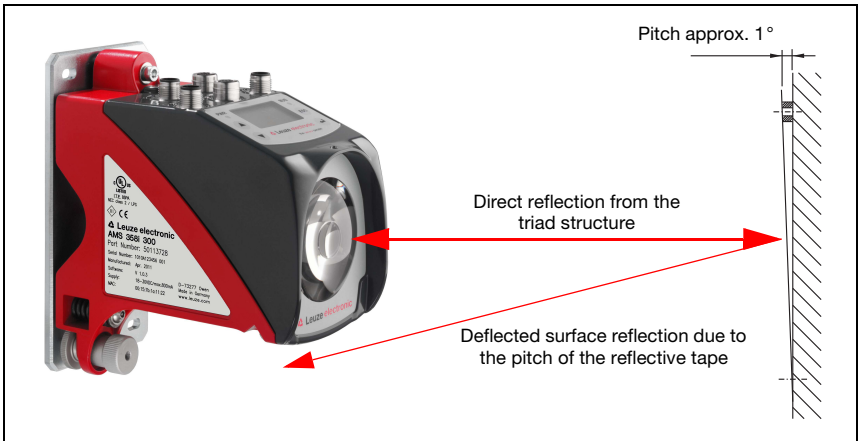


Figure 6.3: Reflector mounting

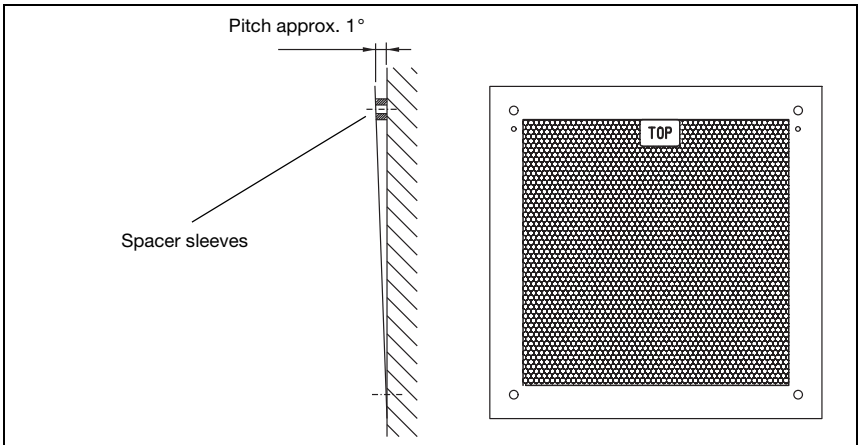


Figure 6.4: Pitch of the reflector

Reflective tapes ...-H

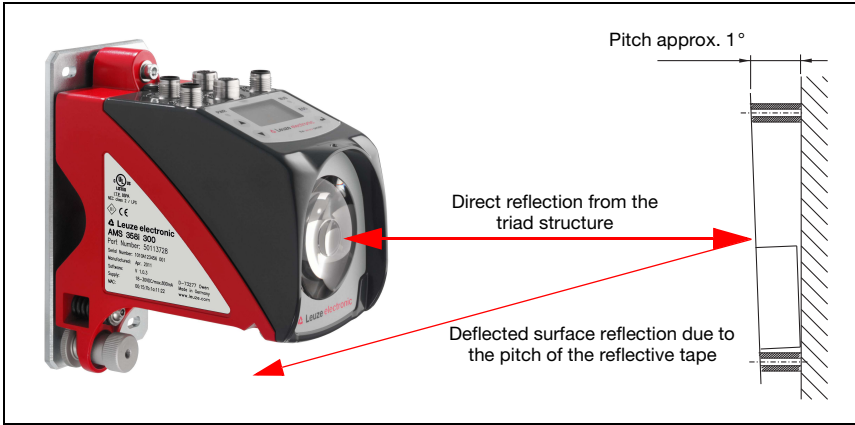


Figure 6.5: Mounting of heated reflectors

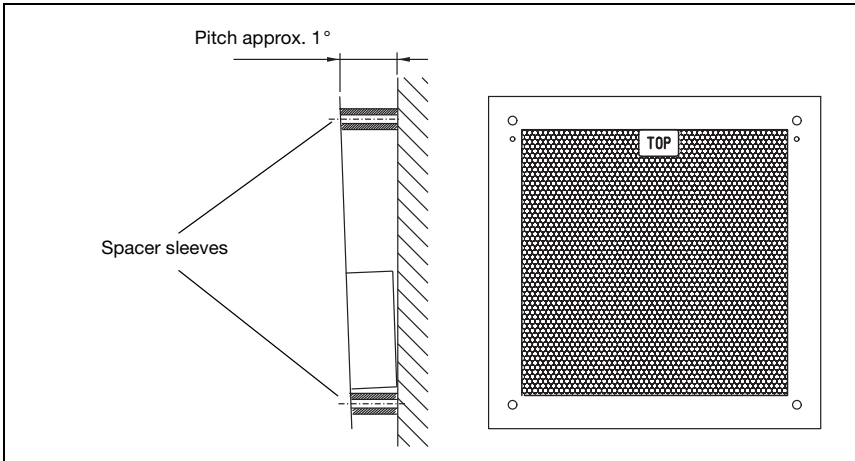


Figure 6.6: Pitch of the heated reflector

6.4.3 Table of reflector pitches

Reflector type	Pitch resulting from spacer sleeves ¹⁾	
Reflective tape 200x200-S Reflective tape 200x200-M	2 x 5mm	
Reflective tape 200x200-H	2 x 15mm	2 x 20mm
Reflective tape 500x500-S Reflective tape 500x500-M	2 x 10mm	
Reflective tape 500x500-H	2 x 15mm	2 x 25mm
Reflective tape 749x914-S	2 x 20mm	
Reflective tape 914x914-S Reflective tape 914x914-M	2 x 20mm	
Reflective tape 914x914-H	2 x 15mm	2 x 35mm

1) Spacer sleeves are included in the delivery contents of reflective tape ...-M and ...-H

Table 6.1: Reflector pitch resulting from spacer sleeves



Notice!

Reliable function of the AMS 384i and, thus, max. operating range and accuracy can only be achieved with the reflective tape specified by Leuze electronic. No function can be guaranteed if other reflectors are used!

7 Electrical connection

The AMS 384*i* laser measurement systems are connected using variously coded M12 connectors. This ensures unique connection assignments.



Notice!

The corresponding mating connectors and ready-made cables are available as accessories for all cables. For further information, see chapter 11 "Type overview and accessories".



Figure 7.1: Connections of the AMS 384*i*

7.1 Safety notices for the electrical connection



Attention!

Before connecting the device, be sure that the supply voltage agrees with the value printed on the name plate.

The device may only be connected by a qualified electrician.

Ensure that the functional earth (FE) is connected correctly. Unimpaired operation is only guaranteed when the functional earth is connected properly.

If faults cannot be corrected, the device should be removed from operation and protected against possible use.



Attention!

For UL applications, use is permitted exclusively in Class 2 circuits according to NEC (National Electric Code).



The laser measurement systems are designed in accordance with safety class III for supply by PELV (protective extra-low voltage with reliable disconnection).



Notice!

Protection class IP65 is achieved only if the connectors and caps are screwed into place!

Described in detail in the following are the individual connections and pin assignments.

7.2 PWR – voltage supply / switching input/output

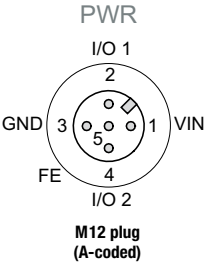
PWR (5-pin plug, A-coded)			
	Pin	Name	Remark
	1	VIN	Positive supply voltage +18 ... +30VDC
	2	I/O 1	Switching input/output 1
	3	GND	Negative supply voltage 0VDC
	4	I/O 2	Switching input/output 2
	5	FE	Functional earth
	Thread	FE	Functional earth (housing)

Table 7.1: Pin assignment PWR

Further information on configuring the input/output can be found in chapter 8 and chapter 9.

7.3 Interbus BUS IN

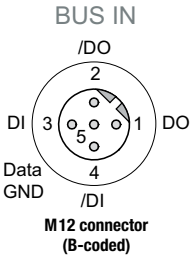
BUS IN (5-pin plug, B-coded)			
	Pin	Name	Remark
	1	DO	From the Interbus master
	2	/DO	From the Interbus master, inverted
	3	DI	To the Interbus master
	4	/DI	To the Interbus master, inverted
	5	Data GND	Data Ground
	Thread	SHIELD	Shield via RC element on the housing

Table 7.2: Pin assignments for BUS IN

7.4 Interbus BUS OUT

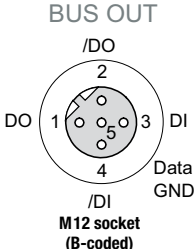
BUS OUT (5-pin socket, B-coded)			
	Pin	Name	Remark
	1	DO	From the Interbus master
	2	/DO	From the Interbus master, inverted
	3	DI	To the Interbus master
	4	/DI	To the Interbus master, inverted
	5	Data GND	Data Ground
	Thread	SHIELD	Shield directly on the housing

Table 7.3: Pin assignment BUS OUT

7.5 Service

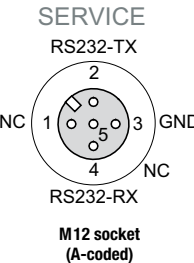
Service (5-pin socket, A-coded)			
	Pin	Name	Remark
	1	NC	Not used
	2	RS232-TX	Transmission line RS 232/service data
	3	GND	Voltage supply 0VDC
	4	RS232-RX	Receiving line RS 232/service data
	5	NC	Not used
	Thread	FE	Functional earth (housing)

Table 7.4: Service pin assignments



Notice!

The service interface is designed only for use by Leuze electronic!

8 Display and control panel AMS 384i

8.1 Structure of the control panel

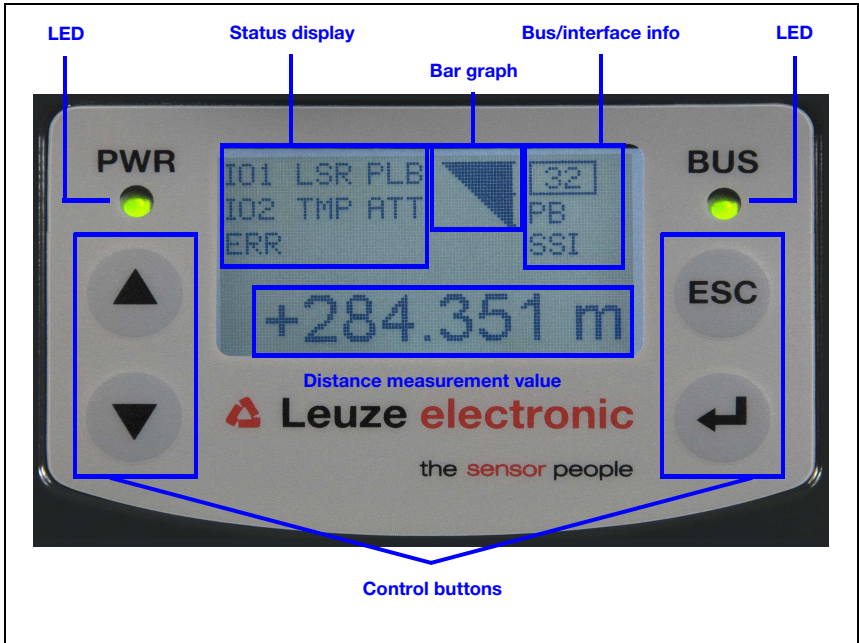


Figure 8.1: Structure of the control panel using the AMS 304i PROFIBUS device variant as an example



Notice!

The figure is for illustration purposes only and does not correspond to AMS 384i with respect to bus/interface info.

8.2 Status display and operation

8.2.1 Indicators in the display

Status and warning messages in the display

- IO1 **Input 1 or output 1 active:**
Function depending on configuration.
- IO2 **Input 2 or output 2 active:**
Function depending on configuration.

- LSR **Warning - laser prefailure message:**
Laser diode old, device still functional, exchange or have repaired.
- TMP **Warning - temperature monitoring:**
Permissible internal device temperature exceeded / not met.
- PLB **Plausibility error:**
Implausible measurement value. Possible causes: light beam interruption, outside of measurement range, permissible internal device temperature considerably exceeded or traverse rate >10m/s.
Depending on the configuration, either zero or the last valid measurement value is output at the interfaces.
- ATT **Warning received signal:**
Laser outlet window or reflector soiled or fogged by rain, water vapor or fog. Clean or dry surfaces.
- ERR **Internal hardware error:**
The device must be sent in for inspection.

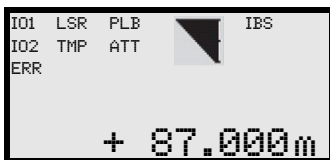
Bar graph



Indicates the **strength of the received laser light**.
The center bar represents the **ATT** warning threshold. The distance value remains valid and is output at the interfaces.
If no bar graph is available, the **PLB** status information appears at the same time. The measurement value has thus been assessed as being implausible. Depending on the configuration, either zero or the last valid measurement value is output at the interfaces.

Interface info

The abbreviation "IBS" stands for the Interbus interface.



- ← Interbus interface
- ← Maximum position value

Maximum position value

- The measured position value is displayed in the configured unit of measurement.
- +87.000m With the **metric** setting, the measurement value is always displayed in meters with **three decimal places**.
- +87.0in With the **inch** setting, the measurement value is always displayed in inches with **one decimal place**.

8.2.2 LED status displays

PWR LED

PWR



Off

Device OFF

- No supply voltage

PWR



Flashing green

Power LED flashes green

- No measurement value output
- Voltage connected
- Self test running
- Initialization running
- Parameter download running
- Boot process running

PWR



Green continuous light

Power LED green

- AMS 384*i* ok
- Measurement value output
- Self test successfully finished
- Device monitoring active

PWR



Red flashing

Power LED flashes red

- Device ok but warning message (ATT, TMP, LSR) set in display
- Light beam interruption
- Plausibility error (PLB)

PWR



Red continuous light

Power LED red

- No measurement value output; for details, see Display

PWR



Orange continuous light

Power LED orange

- Parameter enable active
- No data on the host interface

BUS LED

BUS



Flashing green

BUS LED flashes green

- Initialization of the AMS 384*i*
- AMS 348*i* not on the bus

BUS



Green continuous light

BUS LED green

- Data transmission ok

-

8.2.3 Control buttons



Up

Navigate upward/laterally.



Down

Navigate downward/laterally.



ESC


Exit menu item.





ENTER

Confirm/enter value, change menu levels.

Navigating within the menus

The menus within a level are selected with the up/down buttons  .

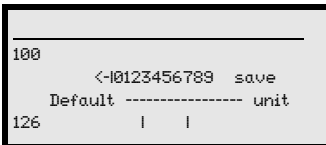
The selected menu item is activated with the enter button .

Press the ESC button  to move up one menu level.

When one of the buttons is actuated, the display illumination is activated for 10min.

Setting values

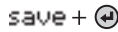
If input of a value is possible, the display looks like this:





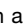

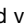
Delete character






Enter digit



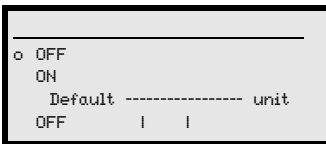
Save




Use the   and  buttons to set the desired value. An accidental, incorrect entry can be corrected by selecting -I and then pressing .

Then use the   buttons to select **Save** and save the set value by pressing .

Selecting options

If options can be selected, the display looks like this:

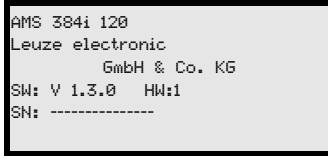


Select the desired option with the   buttons. Activate the option by pressing .

8.3 Menu description

8.3.1 The main menus

After voltage has been applied to the laser, device information is displayed for several seconds. The display then shows the measurement window with all status information.

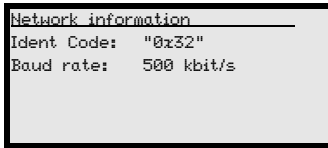


Device information - main menu

This menu item contains detailed information on

- Device model,
- Manufacturer,
- Software and hardware version,
- Serial number.

No entries can be made via the display.



Network information - main menu

- Explanations of Ident code and baud rate.

No entries can be made via the display.

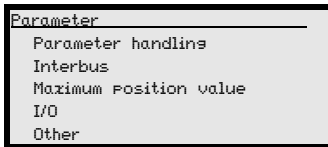


Status and measurement data - main menu

- Display of status-, warning-, and error messages
- Status overview of the switching inputs/outputs.
- Bar graph for the reception level.
- Measurement value.

No entries can be made via the display.

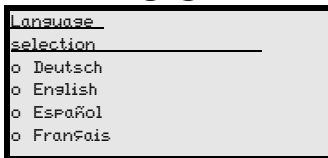
See "Indicators in the display" on page 39.



Parameter - main menu

- Configuration of the AMS.

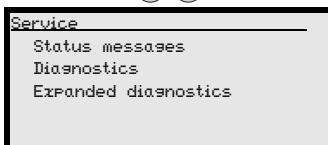
See "Parameter menu" on page 44.



Language selection - main menu

- Selection of the display language.

See "Language selection menu" on page 43.



Service - main menu

- Display of status messages.
- Display of diagnostic data.

No entries can be made via the display.

See "Service menu" on page 47.



Notice!

The rear cover of this manual includes a **fold-out page** with the complete **menu structure**. It describes the menu items in brief.

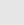
8.3.2 Parameter menu

Parameter handling submenu

The following functions can be called up in the Parameter handling submenu:

- Lock and enable parameter entry
- Set up a password
- Reset the AMS 384i to default settings.

Table 8.1: Parameter handling submenu

Level 3	Level 4	Level 5	Selection/configuration option Description	Standard
Parameter enabling			ON / OFF The standard setting (OFF) prevents unintended parameter changes. With parameter enabling activated (ON), the display is inverted. In this state, it is possible to change parameters manually.	OFF
Password	Activate password		ON / OFF To enter a password, parameter enabling must be activated. If a password is assigned, changes to the AMS 384i can only be made after the password is entered. The master password 2301 bridges the individually set password.	OFF
	Password entry		Configuration option of a four-digit numerical password	
Parameters to default			By pressing the enter button  after selecting Parameters to default , all parameters are reset to their standard settings without any further security prompts. In this case, English is selected as the display language.	

Additional important information on parameter handling can be found at the end of the chapter.

Interbus submenu

Table 8.2: Interbus submenu

Level 3	Level 4	Level 5	Selection/configuration option Description	Standard
Activation			ON / OFF Activates or deactivates the AMS 384i as an Interbus participant.	ON
Baud rate			500kbit/s / 2000kbit/s Selection of the baud rate for serial communication. The baud rate specifies the speed of data transmission. It must be the same at the transmission and reception sides to enable communication.	500kbit/s
Coding			Gray / binary Specifies the output format of the measurement value.	Gray

Table 8.2: Interbus submenu

Level 3	Level 4	Level 5	Selection/configuration option Description	Standard
Position resolution			0.1 mm / 1 mm / 10 mm / free resolution The measurement value can be displayed in these resolutions. The value of the free resolution is determined in the "Position value" submenu in the "Value of free resolution" parameter.	1 mm

Position value submenu

Table 8.3: Position value submenu

Level 3	Level 4	Level 5	Selection/configuration option Description	Standard
Measurement unit			Metric/Inch Specifies the units of the measured distances	Metric
Count direction			Positive/Negative Positive: The measurement value begins at 0 and increases with increasing distance. Negative: The measurement value begins at 0 and decreases with increasing distance. Negative distance values may need to be compensated with an offset or preset.	Positive
Offset			Output value=measurement value+offset. The resolution of the offset value is independent of the selected "Resolution position" and is entered in mm or inch/100. The offset value is effective immediately following entry. If the preset value is activated, this has priority over the offset. Preset and offset are not offset against each other.	0mm
Preset			The preset value is accepted by means of teach pulse. The teach pulse can be applied to a hardware input of the M12 PWR connector. The hardware input must be appropriately configured. See also configuration of the I/Os.	0mm
Free resolution value			The measurement value can be resolved in increments of 1/1000 within the 5 ... 50000 value range. If, e.g., a resolution of 0.875 mm per digit is required, the parameter is set to 875.	1000
Error delay			ON / OFF Specifies whether, in the event of an error, the position value immediately outputs the value of the "Position value in the case of error" parameter or the last valid position value for the configured error delay time.	ON/100 ms
Position value in the case of error			Last valid value / zero Specifies which position value is output after the error delay time elapses.	Zero

I/O submenu

Table 8.4: I/O submenu

Level 3	Level 4	Level 5	Selection/configuration option Description	Standard
I/O 1	Port configuration		Input/Output Defines whether I/O 1 functions as an output or input.	Output
	Switching input	Function	No function/preset teach/laser ON/OFF Input LOW = laser ON, HIGH = laser OFF	Laser ON/OFF
		Activation	Low active/High active	Low active

Table 8.4: I/O submenu

Level 3	Level 4	Level 5	Selection/configuration option Description	Standard
	Switching output	Function		No function
		Activation	Low active/High active	Low active
I/O 2	Port configuration		Input/Output Defines whether I/O 2 functions as an output or input.	Output
	Switching input	Function		No function
		Activation	Low active/High active	Low active
	Switching output	Function	Output = High, if the travel speed is faster than 0.2m/s	Velocity monitoring
		Activation	Low active/High active	Low active
Limit values	Upper pos. limit 1	Activation	ON / OFF	OFF
		Limit value input	Value input in mm or inch/100	0
	Lower pos. limit 1	Activation	ON / OFF	OFF
		Limit value input	Value input in mm or inch/100	0
	Upper pos. limit 2	Activation	ON / OFF	OFF
		Limit value input	Value input in mm or inch/100	0
	Lower pos. limit 2	Activation	ON / OFF	OFF
		Limit value input	Value input in mm or inch/100	0

Other submenu

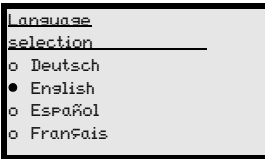
Table 8.5: Other submenu

Level 3	Level 4	Level 5	Selection/configuration option Description	Standard
Heating control			Standard (10°C ... 15°C)/Extended (30°C ... 35°) Defines a switch-on/switch-off range for the heating control. The extended switch-on/switch-off range for heating may provide relief in the event of condensation problems. There is no guarantee that no condensation will occur on the optics in the extended switch-on/switch-off range due to the limited heating capacity. This parameter is available as standard, but functions only for devices with integrated heating (AMS 384... H).	Standard
Display illumination			10 minutes/ON Display illumination is switched off after 10 minutes or, if the parameter is set to "ON", illumination is always on.	10 min.
Display contrast			Weak/Medium/Strong The display contrast may change at extreme temperature values. The contrast can subsequently be adapted using the three levels.	Medium

Table 8.5: Other submenu

Level 3	Level 4	Level 5	Selection/configuration option Description	Standard
Service RS232	Baud rate		57.6 kbit/s / 115.2 kbit/s The service interface is only available to Leuze internally.	115.2 kbit/s
	Format		8,e,1 / 8,n,1 The service interface is only available to Leuze internally.	8,n,1

8.3.3 Language selection menu



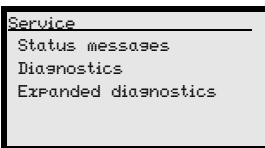
There are 5 display languages available:

- German
- English
- Spanish
- French
- Italian

The AMS 384*i* is delivered from the factory with the display preset to English.

To change the language, no password needs to be entered nor must password enabling be activated. The display language is a passive operational control and is, thus, not a function parameter, per se.

8.3.4 Service menu



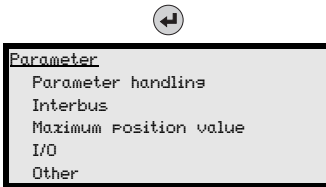
A more detailed description of the individual functions can be found in chapter 10.

8.4 Operation

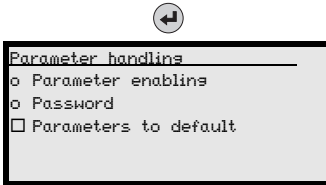
Described here is an operating process using parameter enabling as an example.



Parameter enabling

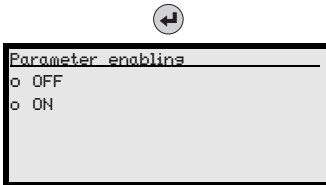
During normal operation parameters can only be viewed. If parameters are to be changed, the ON menu item in the Parameter -> Parameter handling -> Parameter enable menu must be activated. To do this, proceed as follows:



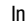
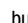
In the main menu, press the enter button to enter the Parameter menu.



Use the   buttons to select the Parameter handling menu item.


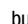


Press the enter button to enter the Parameter handling menu.

In the Parameter handling menu, use the   buttons to select the Parameter enabling menu item.



Press the enter button to enter the Parameter enabling menu.

In the Parameter enabling menu, use the   buttons to select the ON menu item.

Press the enter button to switch on parameter enabling.

The PWR LED illuminates orange; the display is inverted. You can now set the individual parameters on the display.



Press the ESC button twice to return to the Parameter menu.



Viewing and editing parameters

As long as parameter enabling is activated, the entire AMS 384i display is inverted.



Notice!

Changes to parameters via display entry have immediate effect.

If a password was stored, parameter enabling is not possible until this password is entered, see "Password for parameter enabling" below.

Password for parameter enabling

Parameter entry on the AMS 384i can be protected with a four-digit numerical password. With the AMS 384i, the password is entered via the display. If parameter enabling has been activated after successfully entering the password, parameters can be changed via the display.



Notice!

The **master password 2301** can enable the AMS 384*i* at any time.

9 Interbus interface

9.1 General information on Interbus

The AMS 384*i* is designed as an Interbus device.

The data output format of the AMS 384*i* is defined via default settings. The baud rate of the data to be transferred is 500kbit/s in the standard setting and can be configured to 2Mbit/s.



Notice!

The Interbus interface can be activated/deactivated via the display. With the Interbus activated, the IBS abbreviation is shown on the display.

9.2 Interbus electrical connection

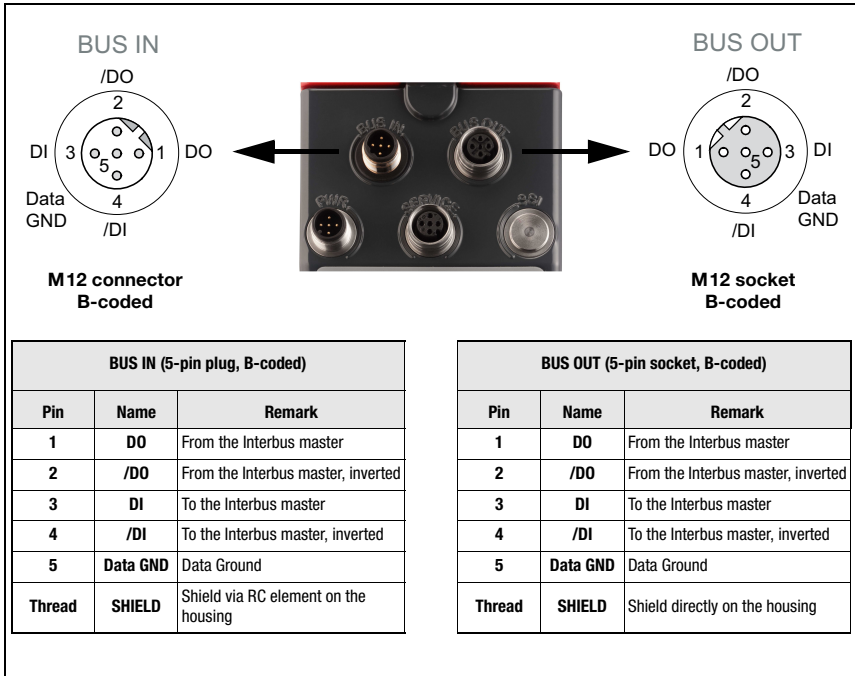


Figure 9.1: Interbus - Electrical connection



Notice!

For contacting **BUS IN** and **BUS OUT**, we recommend our ready-made Interbus cable (see chapter 11.4.5 "Accessory ready-made cables for Interbus").



Attention!

The laser measurement system can be used to branch out the Interbus network.

The **continuing network** is connected via **BUS OUT**.

The integrated **SUPI** (Serial Universal Peripheral Interface) automatically detects whether additional participants are connected to **BUS OUT**. Termination of **BUS OUT** is not necessary.

9.3 Interbus shielding and grounding concept

The cable shielding must be concentric and have the largest possible surface area on the M12 connector (thread).

The M12 thread for **BUS IN** is connected to the functional earth (FE) inside the AMS 384*i* via an RC element (1MΩ || 15nF). The M12 thread for **BUS OUT** is conductively connected to the housing and is thus directly connected to the functional earth (FE).

9.3.1 Interbus - voltage supply electrical connection

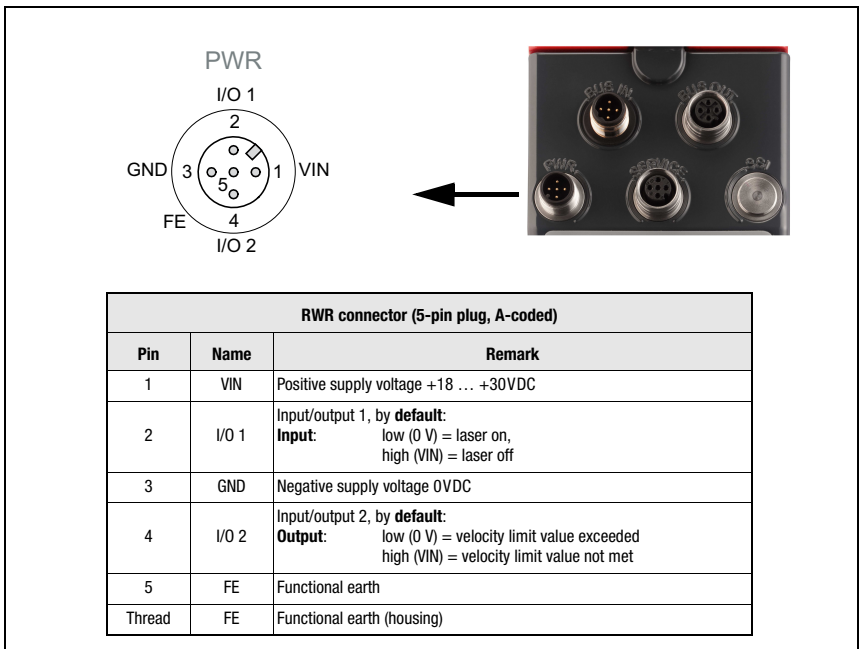


Figure 9.2: Interbus - voltage supply



Notice!

Input I/O 1 (pin 2) - laser ON/OFF:

If the laser diode of the AMS 384*i* is deactivated, the data double word A0 00 00 00_H is transferred. In this case, bit 31 is permanently set to logic **1** and message "PLB" is transferred, see chapter 9.5 "Interbus data format - 32-bit input data".


9.4 Interbus Ident number of the AMS 384*i*

The AMS 384*i* is classified with Interbus **Ident code 32_H**. The classification describes the AMS 384*i* as a remote bus participant with 32-bit input data.

9.5 Interbus data format - 32-bit input data

byte 0								byte 1								byte 2								byte 3																			
7	6	5	4	3	2	1	0	7	6	5	4	3	2	1	0	7	6	5	4	3	2	1	0	7	6	5	4	3	2	1	0												
"1" level	ERR	PLB	ATT	LSR	TMP	Reserved	Reserved	MSB measurement value	Measurement value, Gray coded, resolution 1 mm																												LSB measurement value						
	Sign																																										
3	3	2	2	2	2	2	2	2	2	2	1	1	1	1	1	1	1	1	1	1	1	1	1	1	1	1	1	1	9	8	7	6	5	4	3	2	1	0					
1	0	9	8	7	6	5	4	3	2	1	0	9	8	7	6	5	4	3	2	1	0	9	8	7	6	5	4	3	2	1	0												
MSB																																				LSB							

Table 9.1: Interbus data format - 32-bit input data

 The AMS 384*i* makes available 32-bit input data. The breakdown of the 32 bits is shown in the above table.

The data format in detail:



Notice!

Resolution and maximum position value which can be represented:

IBS setting	Max. distance which can be represented Metric (m)	Max. distance which can be represented Inches (in)	
23-bit; resolution 1 mm	8,388 m	8,3886in	≈ 21,307 m
23-bit; resolution 0.1 mm	838m	8,388in	≈ 2,131 m
23-bit; resolution 0.01 mm	83,8m	838in	≈ 213m

Table 9.2: Resolution and maximum position value which can be represented:

Bit 0 ... Bit 22	Measurement value: Representation of the measured distance, Gray coded with a resolution of 1 mm. The coding of the measurement value can be switched from Gray (default) to binary . The setting can be found in the Parameter -> Interbus -> Coding menu.
Bit 23	Sign of the measured distance: 0 = positive distance value 1 = negative distance value (e.g. through the use of the offset function)
Bit 24 ... Bit 25	Reserved, statically set to binary 0
Bit 26	TMP - Temperature monitoring warning. Above/below permissible internal device temperature.
Bit 27	LSR - Warning laser prefailure message. Laser diode aged, device still functional, please initiate replacement or repair.
Bit 28	ATT - Received signal warning. Laser emission window or reflector dirty.
Bit 29	PLB - Plausibility error. Implausible measurement value. Possible causes: Light beam interruption Measurement range exceeded Internal device temperature considerably above/below limit Traverse rate >10m/s.
Bit 30	ERR - Internal hardware error. The device must be sent in for inspection.
Bit 31	Static always 1 , even in the Gray coding.

**Notice!**

The AMS 384i makes a new 32-bit long data set available every 1.7ms. Depending on the number of configured participants and the quantity of data to be transferred by the participants, the baud rate of 500kbit/s or 2Mbit/s can result in the same data set of the AMS 384i being read multiple times in succession.

*With the Interbus deactivated (Interbus **OFF** via control panel/display), bit 31 remains statically set to binary **1**. Bit 30 ... bit 0 are statically set to binary **0**.*

A deactivated AMS 384i can be recognized on the process data monitor of the Interbus master by means of the data double word 80 00 00 00_H.

Continuing participants connected via Bus OUT are also addressed when the Interbus is deactivated.

9.5.1 Default settings of the Interbus interface

Default parameters of the AMS 384 <i>i</i> xxx (H)	
Interbus activation ¹⁾	ON
Baud rate	500kbit/s
Ident code	32H
Number of data bits	32
Data breakdown	23-bit measurement value, 1-bit sign, 2-bit reserved, 3-bit pre-failure messages, 2-bit errors, 1-bit statically set to binary 1
Measurement value display ¹⁾	Gray
Unit ¹⁾	Metric
Resolution ¹⁾	1mm
Count direction ¹⁾	Positive
I/O 1 ¹⁾	Input LOW = laser on, HIGH = laser off
I/O 2 ¹⁾	Velocity monitoring output set to > 0.2m/s (configurable)
Static preset ¹⁾	+ 000.000
Dynamic preset ¹⁾	+ 000.000
Pos. limit value range 1 ¹⁾	Lower and upper limit, both 000.000
Pos. limit value range 2 ¹⁾	Lower and upper limit, both 000.000
Error handling procedures ¹⁾	Position output: 000.000 Position status suppression: active Error delay time: 100ms
Display language ¹⁾	English
Display illumination ¹⁾	Off after 10min.
Display contrast ¹⁾	Medium
Password protection ¹⁾	Off
Password ¹⁾	0000

1) Parameter can be changed via the control panel/display

Table 9.3: Default settings of the Interbus interface



Notice!

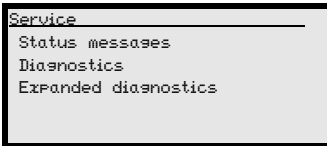
The AMS 384*i* cannot be configured via the Interbus.

*The settings labeled with footnote 1) can be changed via the display. Changed parameters are stored in the AMS 384*i* and are reactivated following power off/on.*

10 Diagnostics and troubleshooting

10.1 Service and diagnostics in the display of the AMS 384*i*

In the main menu of the AMS 384*i*, expanded "Diagnostics" can be called up under the Service heading.



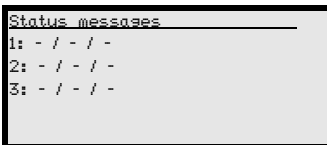
From the Service main menu, press the enter button (↵) to access the underlying menu level.

Use the up/down buttons (▲ ▼) to select the corresponding menu item in the selected level; use the enter button (↵) to activate the selection.

Return from any sub-level to the next-higher menu item by pressing the ESC button (⏏).

10.1.1 Status messages

The status messages are written in a ring memory with 25 positions. The ring memory is organized according to the FIFO principle. No separate activation is necessary for storing the status messages. Power OFF clears the ring memory.



Basic representation of the status messages

n: Type / No. / 1

Meaning:

n: memory position in the ring memory

Type: type of message:

I = info, **W** = warning, **E** = error, **F** = severe system error


No: internal error detection

1: frequency of the event (always "1", since no summation occurs)

The status messages within the ring memory are selected with the up/down buttons (▲ ▼). The enter button (↵) can be used to call up **detailed information** on the corresponding status messages with the following details:


Detailed information about a status message

- Type:** type of message + internal counter
UID: Leuze internal coding of the message
ID: description of the message
Info: not currently used

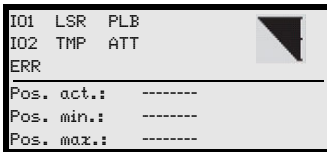
Within the detailed information, the enter button  can be pressed again to activate an **action menu** with the following functions:



- Acknowledge message
- Delete message
- Acknowledge all
- Delete all

10.1.2 Diagnostics

The diagnostics function is activated by selecting the `Diagnostics` menu item. The ESC button  deactivates the diagnostics function and clears the contents of the recordings.

The recorded diagnostic data are displayed in 2 fields. In the upper half of the display, status messages of the AMS and the bar graph are displayed. The lower half contains information that assists in a Leuze-internal evaluation.



Use the up/down buttons   to scroll in the bottom half between various displays. The contents of the scrollable pages are intended solely for Leuze for internal evaluation.

The diagnostics have no influence on the communication to the host interface and can be activated during operation of the AMS 384*i*.

10.1.3 Expanded diagnostics

The `Expanded diagnostics` menu item is used for Leuze-internal evaluation.

10.2 General causes of errors

10.2.1 Power LED

See also chapter 8.2.2.

Error	Possible error cause	Measure
PWR LED "OFF"	No supply voltage connected	Check supply voltage.
	Hardware error	Send in device.
PWR-LED "flashes red"	Light beam interruption	Check alignment.
	Plausibility error	Traverse rate >10m/s.
PWR-LED "static red"	Hardware error	For error description, see display, It may be necessary to send in the device.

Table 10.1: General causes of errors

10.3 Interface errors

10.3.1 BUS LED

The LED does not show a bus failure with the AMS 384*i*.

10.4 Status display in the display of the AMS 384*i*

Display	Possible error cause	Measure
PLB (implausible measurement values)	Laser beam interruption	Laser spot must always be incident on the reflector.
	Laser spot outside of reflector	Traverse rate < 10 m/s?
	Measurement range for maximum distance exceeded	Restrict traversing path or select AMS with larger measurement range.
	Velocity greater than 10 m/s	Reduce velocity.
	Ambient temperature far outside of the permissible range (TMP display; PLB)	Select AMS with heating or ensure cooling.
ATT (insufficient received signal level)	Reflector soiled	Clean reflector or glass lens.
	Glass lens of the AMS soiled	
	Performance reduction due to snow, rain, fog, condensing vapor, or heavily polluted air (oil mist, dust)	Optimize usage conditions.
	Laser spot only partially on the reflector	Check alignment.
TMP (operating temperature outside of specification)	Protective foil on the reflector	Remove protective foil from reflector.
	Ambient temperatures outside of the specified range	In case of low temperatures, remedy may be an AMS with heating. If temperatures are too high, provide cooling or change mounting location.
LSR Laser diode warning	Laser diode prefailure message	Send in device at next possible opportunity to have laser diode replaced. Have replacement device ready.
ERR Hardware error.	Indicates an uncorrectable error in the hardware	Send in device for repair.

**Notice!**

Please use **chapter 10 as a master copy** should servicing be required.

Cross the items in the "Measures" column which you have already examined, fill out the following address field and fax the pages together with your service contract to the fax number listed below.

Customer data (please complete)

Device type:	
Company:	
Contact partner / department:	
Phone (direct):	
Fax:	
Street / No:	
ZIP code/City:	
Country:	

Leuze Service fax number:

+49 7021 573 - 199

11 Type overview and accessories

11.1 Type key

AMS 3xx i yyy H

Heating option	H =	With heating
Sensing distance	40	Max. operating range in m
	120	Max. operating range in m
	200	Max. operating range in m
	300	Max. operating range in m
	i =	Integrated fieldbus technology
Interface	00	RS 422/RS 232
	01	RS 485
	04	PROFIBUS DP / SSI
	08	TCP/IP
	35	CANopen
	38	EtherCAT
	48	PROFINET RT
	55	DeviceNet
	58	Ethernet/IP
	84	Interbus

AMS Absolute Measuring System

11.2 Type overview AMS 384*i* (Interbus)

Type designation	Description	Part no.
AMS 384/40	40m operating range, Interbus interface	50113733
AMS 384/120	120m operating range, Interbus interface	50113734
AMS 384/200	200m operating range, Interbus interface	50113735
AMS 384/300	300m operating range, Interbus interface	50113736
AMS 384/40 H	40m operating range, Interbus interface, integrated heating	50113737
AMS 384/120 H	120m operating range, Interbus interface, integrated heating	50113738
AMS 384/200 H	200m operating range, Interbus interface, integrated heating	50113739
AMS 384/300 H	300m operating range, Interbus interface, integrated heating	50113740

Table 11.1: Type overview AMS 384*i*

11.3 Overview of reflector types

Type designation	Description	Part no.
Reflective tape 200x200-S	Reflective tape, 200x200mm, self-adhesive	50104361
Reflective tape 500x500-S	Reflective tape, 500x500mm, self-adhesive	50104362
Reflective tape 914x914-S	Reflective tape, 914x914mm, self-adhesive	50108988
Reflective tape 200x200-M	Reflective tape, 200x200mm, affixed to aluminum plate	50104364
Reflective tape 500x500-M	Reflective tape, 500x500mm, affixed to aluminum plate	50104365
Reflective tape 914x914-M	Reflective tape, 914x914mm, affixed to aluminum plate	50104366
Reflective tape 200x200-H	Heated reflective tape, 200 x 200mm	50115020
Reflective tape 500x500-H	Heated reflective tape, 500 x 500mm	50115021
Reflective tape 914x914-H	Heated reflective tape, 914 x 914mm	50115022

Table 11.2: Overview of reflector types

11.4 Accessories

11.4.1 Accessory mounting bracket

Type designation	Description	Part no.
MW OMS/AMS 01	Mounting bracket for mounting the AMS 384 <i>i</i> to horizontal surfaces	50107255

Table 11.3: Accessory mounting bracket

11.4.2 Accessory deflector unit

Type designation	Description	Part no.
US AMS 01	Deflector unit with integrated mounting bracket for the AMS 384 <i>i</i> . Variable 90° deflection of the laser beam in various directions	50104479
US 1 OMS	Deflector unit without mounting bracket for simple 90° deflection of the laser beam	50035630

Table 11.4: Accessory deflector unit

11.4.3 Accessory M12 connector

Type designation	Description	Part no.
KD 02-5-BA	M12 connector, B-coded socket, BUS IN	50038538
KD 02-5-SA	M12 connector, B-coded plug, BUS OUT; SSI	50038537
KD 095-5A	M12 connector, A-coded socket, Power (PWR)	50020501

Table 11.5: Accessory M12 connector

11.4.4 Accessory ready-made cables for voltage supply

Contact assignment/wire color of PWR connection cable

PWR connection cable (5-pin socket, A-coded)			
<p>M12 socket (A-coded)</p>	Pin	Name	Core color
	1	VIN	brown
	2	I/O 1	white
	3	GND	blue
	4	I/O 2	black
	5	FE	gray
	Thread	FE	bare

Specifications of the cables for voltage supply

Operating temperature range in rest state: -30°C ... +70°C
in motion: -5°C ... +70°C

Material sheathing: PVC

Bending radius > 50mm

Order codes of the cables for voltage supply

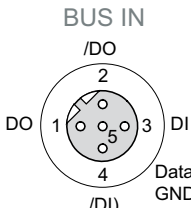
Type designation	Description	Part no.
K-D M12A-5P-5m-PVC	M12 socket, A-coded, axial plug outlet, open cable end, cable length 5m	50104557
K-D M12A-5P-10m-PVC	M12 socket, A-coded, axial plug outlet, open cable end, cable length 10m	50104559

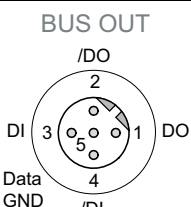
11.4.5 Accessory ready-made cables for Interbus

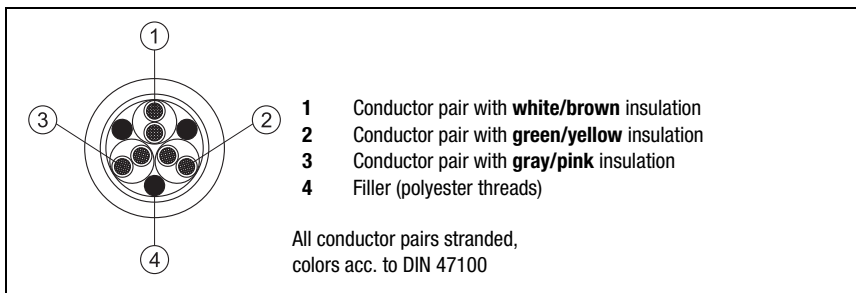
General

- KB SSI/IBS... cable for connecting to the BUS IN
- KB IBS... cable for connecting to the BUS OUT
- Standard cables available in lengths from 2 ... 30m
- Special cables on request

Contact assignments of Interbus connection cable

SSI/IBS connection cable (5-pin socket, B-coded) for BUS IN			
 <p>M12 socket (B-coded)</p>	Pin	Name	Core color
	1	DO	yellow
	2	/DO	green
	3	DI	gray
	4	/DI	pink
	5	Data Ground	brown
Thread	FE	shield on the housing	

IBS connection cable (5-pin connector, B-coded) for BUS OUT			
 <p>M12 connector (B-coded)</p>	Pin	Name	Core color
	1	DO	yellow
	2	/DO	green
	3	DI	gray
	4	/DI	pink
	5	Data Ground	brown
Thread	FE	shield on the housing	



Interbus specifications

Operating temperature range in rest state: -40°C ... +80°C
in motion: -5°C ... +80°C

Material the cables fulfill the Interbus requirements
free of halogens, silicone and PVC

Bending radius > 80mm, suitable for drag chains

Order codes Interbus BUS IN connection cable

Type designation	Description	Part no.
KB SSI/IBS-2000-BA	M12 socket, B-coded, for SSI/Interbus, axial connector, open cable end, cable length 2m	50104172
KB SSI/IBS-5000-BA	M12 socket, B-coded, for SSI/Interbus, axial connector, open cable end, cable length 5m	50104171
KB SSI/IBS-10000-BA	M12 socket, B-coded, for SSI/Interbus, axial connector, open cable end, cable length 10m	50104170
KB SSI/IBS-15000-BA	M12 socket, B-coded, for SSI/Interbus, axial connector, open cable end, cable length 15m	50104169
KB SSI/IBS-20000-BA	M12 socket, B-coded, for SSI/Interbus, axial connector, open cable end, cable length 20m	50104168
KB SSI/IBS-25000-BA	M12 socket, B-coded, for SSI/Interbus, axial connector, open cable end, cable length 25m	50108447
KB SSI/IBS-30000-BA	M12 socket, B-coded, for SSI/Interbus, axial connector, open cable end, cable length 30m	50108446

Order codes Interbus BUS OUT connection cable

Type designation	Remark	Part no.
KB IBS-2000-SA	M12 connector, B-coded, for Interbus, axial connector, open cable end, cable length 2m	50108595
KB IBS-5000-SA	M12 connector, B-coded, for Interbus, axial connector, open cable end, cable length 5m	50108596
KB IBS-10000-SA	M12 connector, B-coded, for Interbus, axial connector, open cable end, cable length 10m	50108597
KB IBS-15000-SA	M12 connector, B-coded, for Interbus, axial connector, open cable end, cable length 15m	50108598
KB IBS-20000-SA	M12 connector, B-coded, for Interbus, axial connector, open cable end, cable length 20m	50108599
KB IBS-25000-SA	M12 connector, B-coded, for Interbus, axial connector, open cable end, cable length 25m	50108600
KB IBS-30000-SA	M12 connector, B-coded, for Interbus, axial connector, open cable end, cable length 30m	50108601

12 Maintenance

12.1 General maintenance information

With normal use, the laser measurement system does not require any maintenance by the operator.

Cleaning

In the event of dust build-up or if the (ATT) warning message is displayed, clean the device with a soft cloth; use a cleaning agent (commercially available glass cleaner) if necessary. Also check the reflector for possible soiling.



Attention!

Do not use solvents and cleaning agents containing acetone. Use of such solvents could blur the reflector, the housing window and the display.


12.2 Repairs, servicing



Attention!

Access to or changes on the device, except where expressly described in this operating manual, are not authorized. The device must not be opened. Failure to comply will render the guarantee void. Warranted features cannot be guaranteed after the device has been opened.

Repairs to the device must only be carried out by the manufacturer.

 *Contact your Leuze distributor or service organization should repairs be required. The addresses can be found on the inside of the cover and on the back.*



Notice!

When sending the laser measurement systems to Leuze electronic for repair, please provide an accurate description of the error.

12.3 Disassembling, packing, disposing

Repacking

For later reuse, the device is to be packed so that it is protected.

Notice!

Electrical scrap is a special waste product! Observe the locally applicable regulations regarding disposal of the product.

A

Accessories 59
 Accessory deflector unit 60
 Accessory mounting bracket 60
 Accessory ready-made cables 61
 Accuracy 13
 Air humidity 14
 Alignment 19

B

BUS LED 41

C

Cleaning 64
 Connections
 Interbus BUS IN 37
 Interbus BUS OUT 38
 PWR IN 37
 Service 38
 Control buttons 42
 Control panel 39

D

Declaration of conformity 4
 Deflector unit
 Maximum ranges 23
 With integrated mounting bracket 23
 Without mounting bracket 25
 Deflector unit US 1 OMS
 Dimensioned drawing 25
 Deflector unit US AMS 01
 Dimensioned drawing 24
 Description of functions 5
 Diagnostics 55
 Dimensioned drawing of AMS 3xxi 15
 Display 39

E

Electrical connection 36
 Safety notices 36
 Expanded diagnostics 56
 Explanation of symbols 4

G

General causes of errors 57

H

Heated reflectors
 Dimensioned drawing 30
 Specifications 29

I

Installation 17
 Interbus
 Default settings 54
 Interbus data format 52
 Interbus Ident number 52
 Interbus interface 50
 Default settings 54
 Interbus shield/grounding concept 51
 Interface errors 57
 Interface info in display 40
 Internal hardware error 40

L

LSR status display 57

M

Main menu
 Device information 43
 Language selection 43
 Network information 43
 Parameter 43
 Service 43
 Status- and measurement data 43
 Maintenance 64
 Maximum position value
 which can be represented 52
 Measurement range 13
 Measurement value output 13
 Menus
 Language selection menu 47
 Main menu 43
 Parameter menu 44
 Service menu 47
 Mounting 18
 with laser beam deflector unit 23
 Mounting bracket(optional) 20
 Mounting distances 21

N

Name plates 17

O	
Operating temperature	14
Operation	39, 47
Overview of reflector types	60
P	
Packaging	17
Parameter enabling	47, 48
Parameter menu	
I/O	45
Interbus	44
Maximum position value	45
Other	46
Parameter handling	44
Plausibility error	40
Prefailure message	40
PWR LED	41
Q	
Quality assurance	4
R	
Received signal	40
Reflective tape	
Dimensioned drawing	28
Specifications	27
Reflector	26
Mounting	32
Pitch	35
Size	31
Type overview	31
Repair	64
S	
Sensing distance	59
Servicing	64
Specifications	13
Dimensioned drawing	15
General specifications	13
Reflective tapes	26
Status- and warning messages	39
Status display	39
ATT	57
ERR	57
PLB	57
TMP	57
Status display in the display	57
Status displays	41
Status messages	55
Storage	17
Storage temperature	14
Supply voltage	13
Surface reflections	33
Symbols	4
T	
Temperature monitoring	40
Termination	51
Transport	17
Troubleshooting	55
Type overview	16, 59

Level 1	Level 2	Level 3	Level 4	Level 5	Selection/configuration option	Detailed information on	
▲▼ : selection	▲▼ : selection ESC : back	▲▼ : selection ESC : back	▲▼ : selection ESC : back	▲▼ : selection ESC : back	▲▼ : selection ↵ : activate ESC : back		
Device information						page 41	
Network information						page 41	
Status- and measurement data						page 41	
Parameter	↵ Parameter handling	↵ Parameter enabling			ON / OFF	page 42	
		↵ Password	↵ Activate password		ON / OFF		
			↵ Password entry		Configuration option of a four-digit numerical password		
		↵ Parameters to default		All parameters are reset to their factory settings			
	↵ Interbus	↵ Activation			ON / OFF	page 42	
		↵ Baud rate			500 kbit/s / 2000 kbit/s		
		↵ Coding			Gray / binary		
		↵ Position resolution			0.1 mm / 1 mm / 10 mm / free resolution		
	↵ Position value	↵ Measurement unit				Metric/Inch	page 43
		↵ Count direction				Positive/Negative	
↵ Offset					Value input		
↵ Preset					Value input		
↵ Error delay					ON / OFF		
↵ Position value in the case of error					Last valid value / zero		
↵ Free resolution value					5 ... 50000		
↵ I/O	↵ I/O 1	↵ Port configuration			Input/Output	page 43	
		↵ Switching input	↵ Function		Laser ON/OFF		
			↵ Activation		Low active/High active		
		↵ Switching output	↵ Function		No function		
			↵ Activation		Low active/High active		
	↵ I/O 2	↵ Port configuration			Input/Output		
		↵ Switching input	↵ Function		No function		
			↵ Activation		Low active/High active		
		↵ Switching output	↵ Function		Velocity monitoring		
			↵ Activation		Low active/High active		
	↵ Limit values	↵ Upper pos. limit 1	↵ Activation				ON / OFF
			↵ Limit value input		Value input in mm or inch/100		
		↵ Lower pos. limit 1	↵ Activation				ON / OFF
			↵ Limit value input		Value input in mm or inch/100		
↵ Upper pos. limit 2		↵ Activation			ON / OFF		
		↵ Limit value input		Value input in mm or inch/100			
↵ Lower pos. limit 2		↵ Activation			ON / OFF		
		↵ Limit value input		Value input in mm or inch/100			

Other	Heating control		Standard/extended (10°C ... 15°C/30°C ... 35°C)	page 44	
	Display background		10 minutes/ON		
	Display contrast		Weak/Medium/Strong		
	Service RS232	Baud rate			57.6kbit/s / 115.2kbit/s
		Format			8,e,1 / 8,n,1
Language selection			Deutsch / English / Español / Français / Italiano	page 45	
Service	Status messages		Number of readings, reading gates, reading rate / non-reading rate etc.	page 45	
	Diagnostics		Exclusively for service purposes by Leuze electronic		
	Expanded diagnostics		Exclusively for service purposes by Leuze electronic		