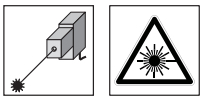


en 06-2016/02 50126596-01



50m

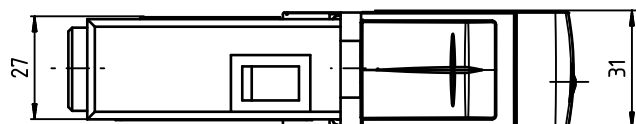
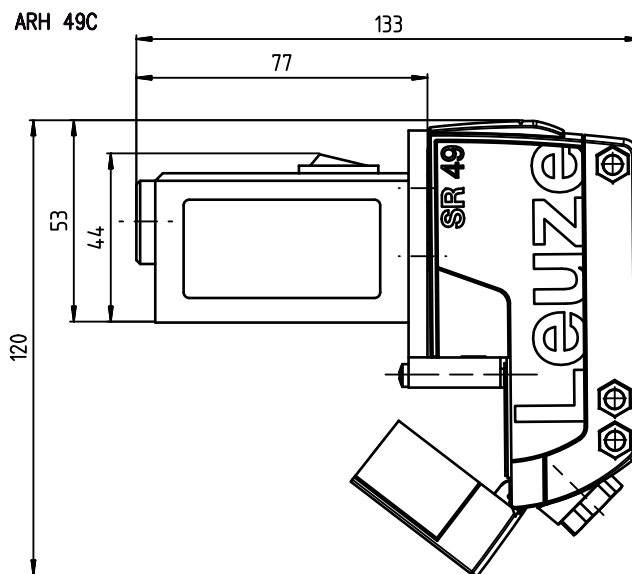
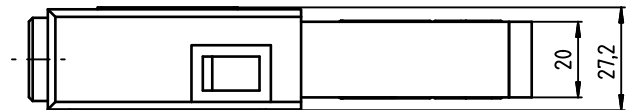
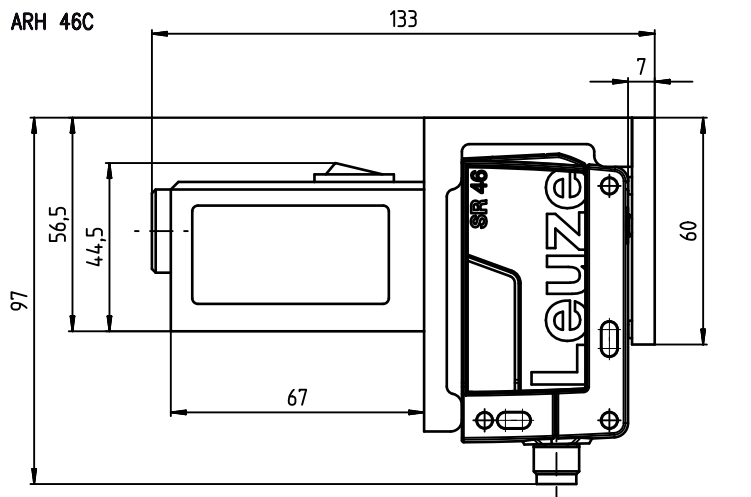
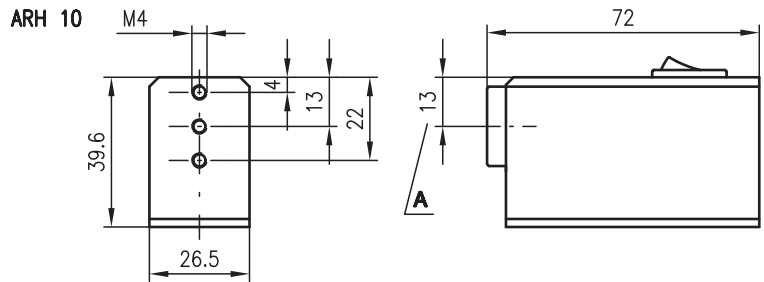
- Visible red light for exact and time-saving alignment
- Battery operation offers independence from mains supply
- Small weight and appropriate construction size for easy handling in difficult environments
- ARH-sets for fast mounting on sensors of the corresponding series
- Laser box ARH 10 for self construction of alignment aids (customer-specific adaptation)



Accessories:

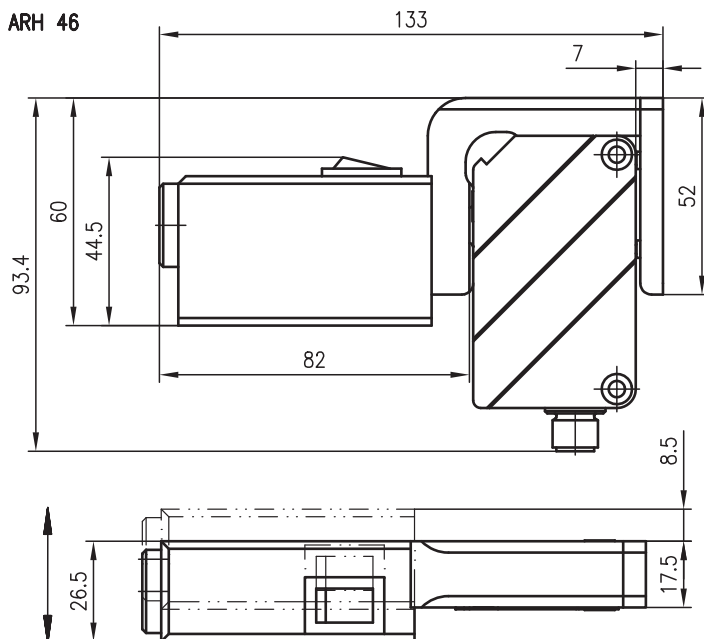
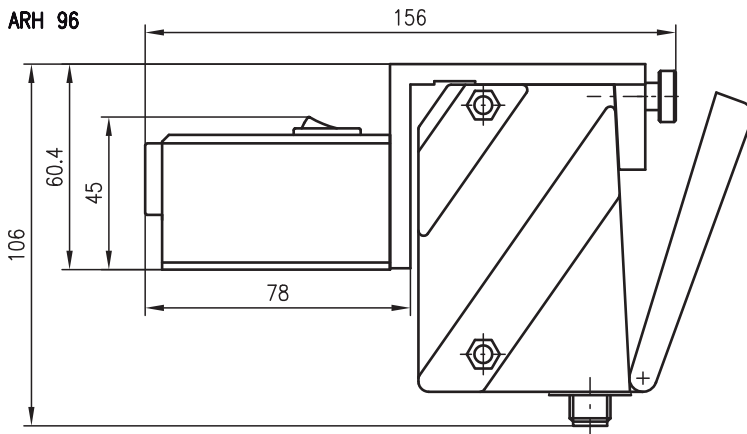
- 2x1.5V AAA / ...R03 batteries (built-in)
- BT ARH 46C – clamp BR 46C (part no. 50129667)
- BT ARH 49C – clamp BR 49C (part no. 50129668)

Dimensioned drawings



We reserve the right to make changes •

Dimensioned drawings



Specifications

Electrical data

Voltage supply	2 commercially available AAA batteries 2x1.5V replaceable
Ready to operate	approx. 8 hours in permanent operation
Switching on/off	by pressing the flip switch
Visual range	approx. 50m depending on ambient light
Light wavelength	650 ... 670nm (visible red light)
Laser class	2 in accordance with EN 60825-1:2007

Mechanical data

Housing	aluminium
---------	-----------

Environmental data

Ambient temp. (operation/storage)	-20°C ... +55°C/-30°C ... +70°C
Protection class	IP 45
Standards applied	EN 60825-1, 21 CFR 1040.10

Order guide

	Designation	Part No.
Laser-box	ARH 10	50080537
Complete for 46B series	ARH 46	50040739
Complete for 46C series	ARH 46C	50129659
Complete for 49C series	ARH 49C	50129660
Complete for 96 series	ARH 96	50080502

Remarks

Mounting for ARH 46/46C

The bracket is placed on top of the housing (46B series/46C series).

Mounting for ARH 96/49C

The cover of the sensor (96 series/49C series) has to be open.

The ARH 96 is fastened to the thread hole of the cover by using the knurl screw.

Operation

After switching on through the flip switch, a laser beam projects a visible red light spot which simulates the optical axis of the transmitter respectively the receiver. Now, the transmitter can be adjusted in such a way, that the light spot hits, depending on the application:

- receiver/transmitter on the opposing side (through-beam photoelectric sensors)
- the reflector in the middle (retro-reflective photoelectric sensors)
- the object to be scanned (diffuse reflection light scanner)

Battery change

To change the AAA cells, the two screws M2.5 on the bottom and the cover have to be removed. Change the AAA cells acc. to the figure, mount the cover and fasten the screws.

Intended use

The laser alignment aids are aids for the optical alignment of optical electronic sensors.

Operate in accordance with intended use!

- ⚠ This product is not a safety sensor and is not intended as personnel protection.
- ⚠ The product may only be put into operation by competent persons.
- ⚠ Only use the product in accordance with the intended use.

Laser safety notices

⚠ ATTENTION, LASER RADIATION – LASER CLASS 2

Never look directly into the beam!

The device fulfills the EN 60825-1:2008-05 (IEC 60825-1:2007) safety regulations for a product in **laser class 2** as well as the U.S. 21 CFR 1040.10 regulations with deviations corresponding to "Laser Notice No. 50" from June 24th, 2007.

- ↳ Never look directly into the laser beam or in the direction of reflecting laser beams!
If you look into the beam path over a longer time period, there is a risk of injury to the retina.
- ↳ Do not point the laser beam of the device at persons!
- ↳ Intercept the laser beam with an opaque, non-reflective object if the laser beam is accidentally directed towards a person.
- ↳ When mounting and aligning the device, avoid reflections of the laser beam off reflective surfaces!
- ↳ CAUTION! Use of controls or adjustments or performance of procedures other than specified herein may result in hazardous light exposure.
The use of optical instruments or devices (e.g., magnifying glasses, binoculars) with the product will increase eye hazard.
- ↳ Adhere to the applicable legal and local regulations regarding protection from laser beams acc. to EN 60825 (IEC 60825) in its latest version.
- ↳ The device must not be tampered with and must not be changed in any way.
There are no user-serviceable parts inside the device.
Repairs must only be performed by Leuze electronic GmbH + Co. KG.

NOTICE

Affix laser information and warning signs!

Laser information and warning signs are firmly attached to the device (see ①).

