

UM60-150...1800

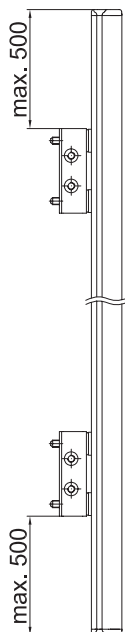


Deflecting Mirrors for Safety light curtains

The Deflecting Mirrors with narrow mirror carrier are used for the beam deflection of light curtains for multi-side guarding at danger points and perimeter guarding at danger zones. A very precise and easy mounting is possible with sliding nuts or swivel mounting brackets (accessories).

Note:

From a length of 1200 mm, use swiveling bracket BT-SSD (2 pieces). To prevent the mirror from swinging, if required, adjust the distances of the swiveling bracket so that the mirror does not swing.



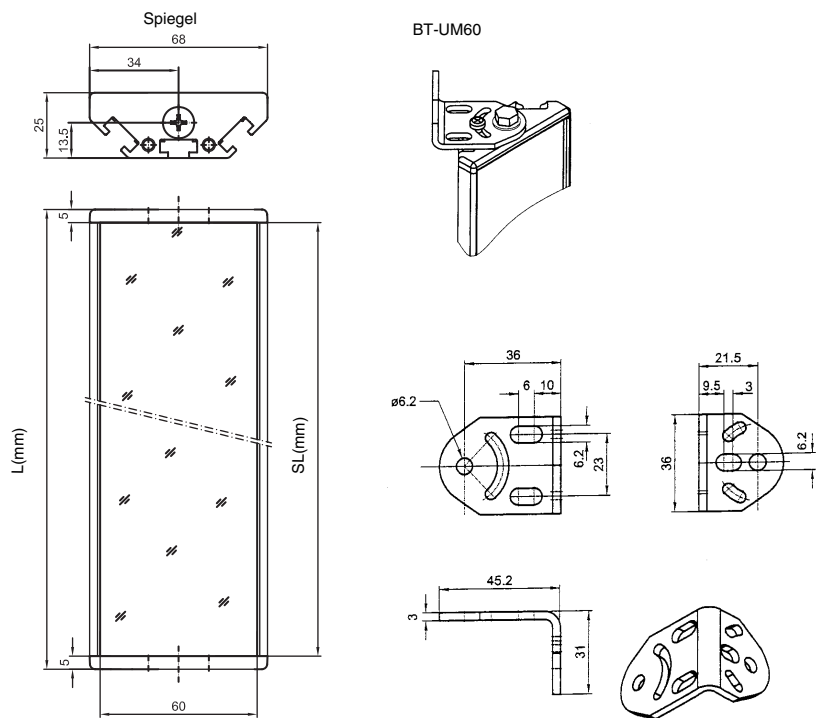
Advantages

- continuous mirror surface for beam deflection of light curtains
- sturdy aluminium profile
- narrow and flat construction
- Mounting brackets allow mounting and alignment in the preference angles 0, 45, 90° as well as swivel-mounted.

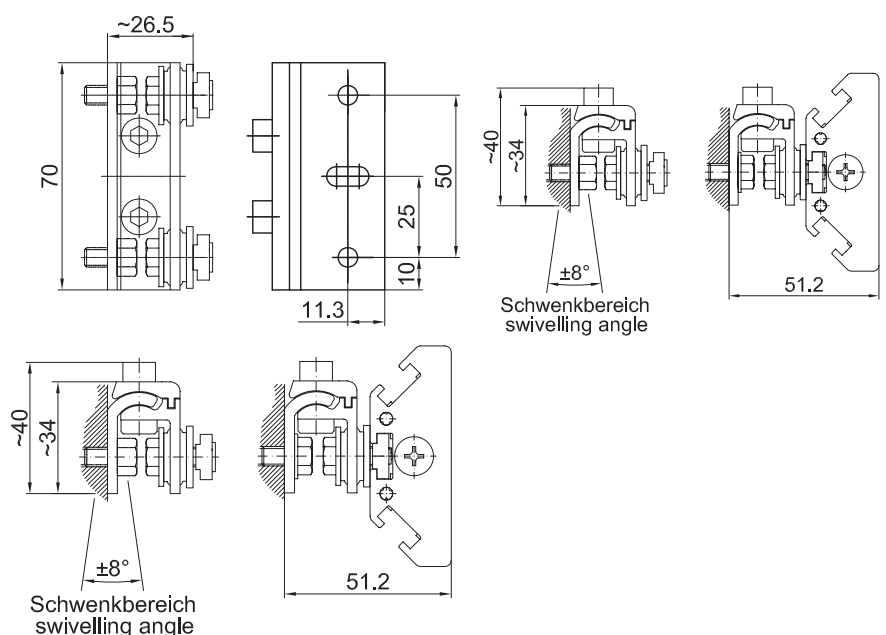
Areas of Application

Multi sided safeguarding of danger zones in combination with safety light curtains of the ECO, SOLID, COMPACT and COMPACTplus.

Dimensional drawings



Swiveling bracket BT-SSD

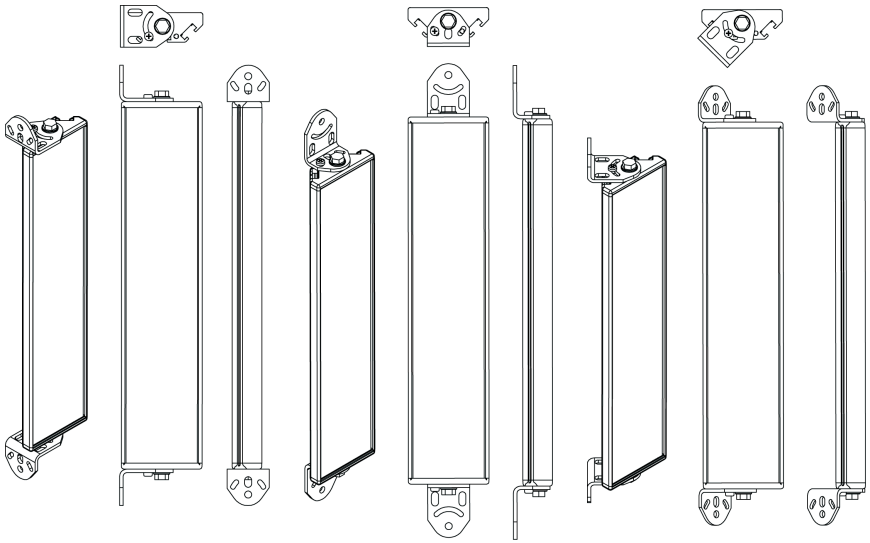


600642 – 2010/11 Subject to change without prior notice

Leuze electronic GmbH + Co. KG
 In der Braike 1
 D-73277 Owen - Teck / Germany
 Phone: +49 7021 573-0
 Fax: +49 7021 573-199
<http://www.leuze.com>
info@leuze.de

Mounting variants UM60-Mirrors

Mounting with standard bracket BT-UM60:

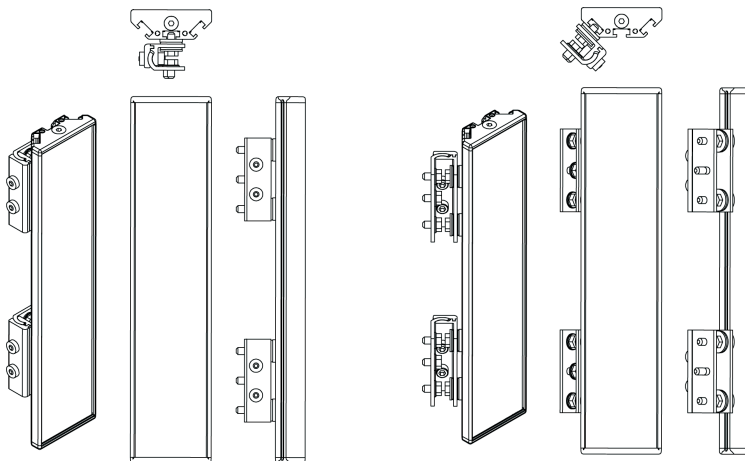


collateral

backsided

angular adjustable (0-90°)

Mounting with swiveling mounting bracket BT-SSD:



backsided

collateral 45°

Dimensional table:

Type	Continuous mirror length SL [mm]	Mirror carrier L [mm]
UM60-150	210	220
UM60-225	285	295
UM60-300	360	370
UM60-450	510	520
UM60-600	660	670
UM60-750	810	820
UM60-900	960	970
UM60-1050	1110	1120
UM60-1200	1260	1270
UM60-1350	1410	1420
UM60-1500	1560	1570
UM60-1650	1710	1720
UM60-1800	1860	1870

Technical data

Mirrors	Continuous mirror surface
Surface	Powder varnished, yellow (RAL 1021)
Housing	Aluminium profile housing
Range	Reduction per deflection of about 10%

Ordering information

Type	Art. no.
UM60-150	529601
UM60-225	529602
UM60-300	529603
UM60-450	529604
UM60-600	529606
UM60-750	529607
UM60-900	529609
UM60-1050	529610
UM60-1200	529612
UM60-1350	529613
UM60-1500	529615
UM60-1650	529616
UM60-1800	529618

Other mirror length on request

Accessories

Type	Art. no.
BT/UM60 UM60 mounting set containing 2 UM60 mounting bracket and screws	430105
BT-SSD swiveling mounting bracket with vibration damping	560300
Mounting bracket	560120