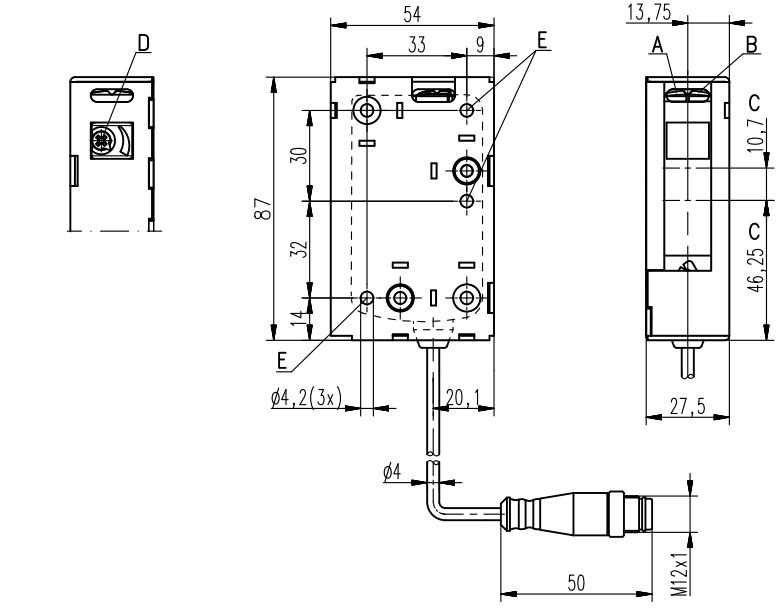


PRK 46B Ex n

Retro-reflective photoelectric sensors with polarization filter

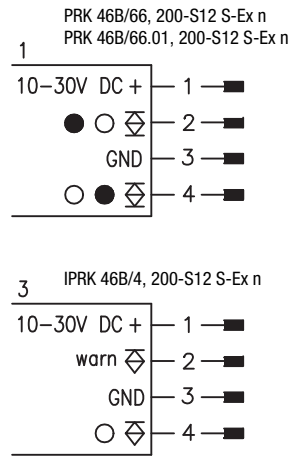
Dimensioned drawing

en 05-2014/06 50109200-02



- A** Green indicator diode
- B** Yellow indicator diode
- C** Optical axis
- D** Optional operating range adjustment
- E** Fastening hole

Electrical connection



0.05 ... 18m

- Polarized retro-reflective photoelectric sensor
- Fast alignment through *brightVision*®
- A²LS - Active Ambient Light Suppression
- Push-pull switching outputs
- Relay output - for operation without reference potential
- Operating range adjustment
- Warning output - for increased availability
- Ex II 3G Ex nA op is IIB T4 Gc X
- Ex II 3D Ex tc IIIC T90°C Dc IP67 X

Accessories:

- (available separately)
- Mounting systems (BT 46, BT 46.1, BT 46.1.5, BT 46.2)
 - M12 connectors (KD ...)
 - Ready-made cables (K-D ...)
 - Reflectors
 - Reflective tapes
 - Interlocking guard K-VM12-Ex (Part no. 501 09217)

We reserve the right to make changes • DS_PRK46BEx_en_50109200_02.fm

Specifications

Optical data

Typ. op. range limit (TK(S) 100x100) ¹⁾ 0.05 ... 18m
 Operating range ²⁾ see tables
 Light source ³⁾ LED (modulated light)
 Wavelength 620nm (visible red light, polarized)

Timing

Switching frequency transistor: 500Hz, relay: 20Hz
 Response time transistor: 1 ms, relay: 25ms
 Delay before start-up ≤ 300ms

Electrical data

With transistor switching outputs

Operating voltage U_B 10 ... 30VDC (incl. residual ripple)
 Residual ripple ≤ 15% of U_B
 Open-circuit current ≤ 20mA
 Switching output .../66. ... 2 push-pull switching outputs ⁴⁾
 .../6. ... pin 2: PNP dark switching, NPN light switching
 .../44. ... pin 4: PNP light switching, NPN dark switching
 .../4. ... push-pull switching output ⁵⁾
 pin 4: PNP light switching, NPN dark switching
 2 PNP switching outputs, pin 2: PNP dark switching,
 PNP switching output, pin 4: light switching
 $\geq (U_B - 2V) \leq 2V$
 max. 100mA

Signal voltage high/low
 Output current

With relay switching output

Operating voltage U_B 24VDC ± 10%
 Open-circuit current ≤ 30mA
 Switching output.../7D ... relay, make-contact between pin 2 and pin 4,
 dark switching ⁵⁾
 Switching voltage/switching current 30VAC/DC / max. 200mA
 Switching power 6VA, cos φ = 1
 Operating range adjustable, 270° (PRK 46B/66.01... only)

Indicators

Green LED ready
 Yellow LED light path free
 Yellow LED, flashing light path free, no performance reserve

Mechanical data

Housing ⁶⁾ plastic (PC-ABS)
 Optics cover plastic (PMMA)
 Weight (with connector/with cable and conn.) 50g/65g
 Connection type cable with M12 connector, cable length: 200mm

Environmental data

Ambient temp. (operation/storage) -30°C ... +60°C/-30°C ... +70°C
 Protective circuit ⁷⁾ 2, 3
 VDE safety class ⁸⁾ II, all-insulated
 Protection class IP 67, IP 69K
 Light source exempt group (in acc. with EN 62471)
 Standards applied IEC 60947-5-2

Explosion protection

Certification (CENELEC) Ex II 3G Ex nA op is IIB T4 Gc X
 Ex II 3D Ex tc IIIC T90°C Dc IP67 X

Options

Warning output autoControl PNP transistor, counting principle
 Signal voltage high/low $\geq (U_B - 2V) \leq 2V$
 Output current max. 100mA

- 1) Typ. operating range limit: max. attainable range without performance reserve
- 2) Operating range: recommended range with performance reserve
- 3) Average life expectancy 100,000 h at an ambient temperature of 25°C
- 4) The push-pull switching outputs must not be connected in parallel
- 5) Suitable spark extinction must be provided with inductive or capacitive loads
- 6) Model "S"=standard housing, model "W"= with lateral flange
- 7) 2=polarity reversal protection, 3=short circuit protection for all transistor outputs
- 8) Rating voltage 50VAC

Order guide

Cable with M12 connector, length: 200mm	Designation	Part no.
Complementary switching output + operating range adjustment		
Housing model S (standard)	PRK 46B/66.01, 200-S12 S-Ex n	501 08593
Complementary switching output		
Housing model S (standard)	PRK 46B/66, 200-S12 S-Ex n	501 08591
PNP switching output light switching, warning output		
Housing model S (standard)	IPRK 46B/4, 200-S12 S-Ex n	501 08945

PRK 46B/66... S-Ex n - 05
 IPRK 46B/4... S-Ex n - 05

Tables

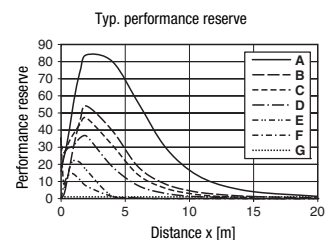
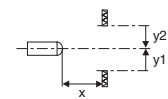
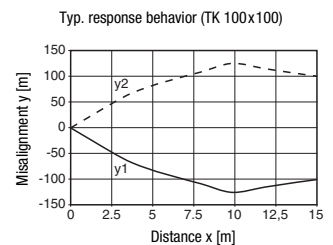
Reflectors	Operating range
1 TK(S) 100x100	0.05 ... 15m
2 TK 82.2	0.25 ... 11m
3 TK(S) 50x50	0.05 ... 10m
4 TK(S) 40x60	0.05 ... 8m
5 TK(S) 20x40	0.05 ... 3m
6 Tape 4 50x50	0.2 ... 2m

1 0.05	15	18
2 0.25	11	14
3 0.05	10	1
4 0.05	8	1
5 0.05	3	5
6 0.2	2	3

Operating range [m]
 Typ. operating range limit [m]

TK ... = adhesive
 TK(S) ... = screw type
 Tape 4 = adhesive

Diagrams



- A TK 100x100
- B TK 82.2
- C TK 50x50
- D TKS 40x60
- E TKS 20x40
- F Tape 4 50x50
- G Switching point

Remarks

Operate in accordance with intended use!

- ⚠ This product is not a safety sensor and is not intended as personnel protection.
- ⚠ The product may only be put into operation by competent persons.
- ⚠ Only use the product in accordance with the intended use.

Ex devices

Notices for the safe use of sensors in potentially explosive areas

This document is valid for devices with the following classifications:

Device group	Device category	Equipment protection level	Zone
II	3G	Gc	Zone 2
II	3D	Dc	Zone 22



Attention!

- Check whether the equipment classification corresponds to the requirements of the application.
- The devices are not suited for the protection of persons and may not be used for emergency shutdown purposes.
- A safe operation is only possible if the equipment is used properly and for its intended purpose.
- Electrical equipment may endanger humans and (where applicable) animal health, and may threaten the safety of goods if used incorrectly or under unfavorable conditions in potentially explosive areas.
- The applicable national regulations (e.g. EN 60079-14) for the configuration and installation of explosion-proof systems must be observed without fail.

Installation and Commissioning

- The devices must only be installed and commissioned by trained electricians. They must be aware of the regulations and operation of explosion-proof equipment.
- To prevent unintentional separation under voltage, devices with connector (e.g. Series 46B) must be equipped with a safeguard or a mechanical interlocking guard (e.g. K-VM12-Ex, part no. 50109217). The warning sign "Do not disconnect under voltage" that is supplied with the device must be attached to the sensor or its mounting bracket so that it is clearly visible.
- Devices with terminal compartment lid (e.g. Series 96) must only be commissioned if the terminal compartment lid of the device is properly sealed.
- Connection cables and connectors must be protected from excessive or unintended pulling or pushing strain.
- Prevent dust deposits from forming on the devices.
- Metallic parts (e.g. housing, mounting devices) are to be integrated into the potential equalization to prevent electrostatic charge.

Maintenance

- No changes may be made to explosion-proof devices.
- Repairs may only be performed by a person trained for such work or by the manufacturer.
- Defective devices must be replaced immediately.
- Cyclical maintenance is generally not necessary.
- Depending on the environmental conditions, it may occasionally be necessary to clean the optical surfaces of the sensors. This cleaning must only be performed by persons trained for this task. We recommend using a soft, damp cloth. Cleaning agents that contain solvents must not be used.

Chemical resistance

- The sensors demonstrate good resistance against diluted (weak) acids and bases.
- Exposure to organic solvents is possible only under certain circumstances and only for short periods of time.
- Resistance to chemicals must be examined on a case by case basis.

Special conditions

- The devices must be installed in such a way that they are protected from direct exposure to UV rays (sunlight).
- Static charge on plastic surfaces must be avoided.



the **sensor** people

**EG-KONFORMITÄTS-
ERKLÄRUNG**

**EC DECLARATION
OF CONFORMITY**

**DECLARATION CE
DE CONFORMITE**

Der Hersteller

The Manufacturer

Le constructeur

Leuze electronic GmbH + Co. KG
In der Braike 1, PO Box 1111
73277 Owen, Germany

erklärt, dass die nachfolgend aufgeführten Produkte den einschlägigen Anforderungen der genannten EG-Richtlinien und Normen entsprechen.

declares that the following listed products fulfil the relevant provisions of the mentioned EC Directives and standards.

déclare que les produits identifiés suivants sont conformes aux directives CE et normes mentionnées.

Produktbeschreibung:

Description of product:

Description de produit:

**Reflexions-Lichtschranken mit
Polarisationsfilter (I)PRK
46B/...S-Ex n**

**Retro-reflective photoelectric
sensor with polarization filter
(I)PRK 46B/... S-Ex n**

**Reflex sur réflecteur avec filtre
polarisant
(I)PRK 46B/... S-Ex n**

Kennzeichnung Gas / Staub:

Marking for gas / dust:

Marquage gaz / poussière:

II 3G Ex nA op is IIB T4 Gc X

II 3D Ex tc IIIC T90° C Dc IP67 X

Angewandte EG-Richtlinie(n):

Applied EC Directive(s):

Directive(s) CE appliquées:

**94/9/EG
2004/108/EG**

**94/9/EC
2004/108/EC**

**94/9/CE
2004/108/CE**

Angewandte Normen:

Applied standards:

Normes appliquées:

**EN 60079-0: 2009
EN 60079-28: 2007
EN 60947-5-2: 2007**

**EN 60079-15: 2005
EN 60079-31: 2009**

22.3.2013

Datum / Date / Date

Ulrich Balbach, Geschäftsführer / Director / Directeur

Leuze electronic GmbH + Co. KG
In der Braike 1
D-73277 Owen
Telefon +49 (0) 7021 573-0
Telefax +49 (0) 7021 573-199
info@leuze.de
www.leuze.com

LEO-ZQM-149-02-FO

Leuze electronic GmbH + Co. KG, Sitz Owen, Registergericht Stuttgart, HRA 230712
Persönlich haftende Gesellschafterin Leuze electronic Geschäftsführungs-GmbH,
Sitz Owen, Registergericht Stuttgart, HRB 230550
Geschäftsführer: Ulrich Balbach, Dr. Matthias Kirchherr
USt-IdNr. DE 145912521 | Zollnummer 2554232
Es gelten ausschließlich unsere aktuellen Verkaufs- und Lieferbedingungen
Only our current Terms and Conditions of Sale and Delivery shall apply