

Leuze electronic

the sensor people

BPS 307i Bar Code Positioning System



© 2015

Leuze electronic GmbH + Co. KG

In der Braike 1

D-73277 Owen / Germany

Phone: +49 7021 573-0

Fax: +49 7021 573-199

<http://www.leuze.com>

info@leuze.de

1	About this document	6
1.1	Used symbols and signal words	6
2	Safety	8
2.1	Intended use	8
2.2	Foreseeable misuse	8
2.3	Competent persons	8
2.4	Disclaimer	9
2.5	Laser warning notices	9
3	Device description	12
3.1	Device overview	12
3.1.1	General information	12
3.1.2	Performance characteristics	13
3.1.3	Accessories	13
3.1.4	Device model with heating	13
3.2	Connection technology	14
3.2.1	MS 307 connection hood with M12 connectors	14
3.2.2	MK 307 connection hood with spring-cage terminals	14
3.2.3	Connection hood KB 307 with cable	15
3.3	Display elements	16
3.3.1	LED indicators	16
3.3.2	Display indicators	17
3.4	Bar code tape	19
3.4.1	General information	19
3.4.2	Control bar codes	21
3.4.3	Marker labels	24
3.4.4	Twin tapes	25
4	Functions	26
4.1	Position measurement	26
4.2	Velocity measurement	26
4.3	Timing	27
4.4	Leuze webConfig tool	27
4.5	Evaluation of the read quality	27
4.6	Distance measurement to the bar code tape	28
5	Applications	29
5.1	High-bay storage device	30
5.2	Telpher line	31
5.3	Gantry cranes	32
6	Mounting and installation	33
6.1	Mounting bar code tape	33
6.1.1	Installation and application remarks	33
6.1.2	Cutting bar code tapes	34
6.1.3	Mounting the BCB	35
6.2	Bar code Positioning System	38
6.2.1	Mounting instructions	39
6.2.2	Orientation of the BPS to the bar code tape	39
6.2.3	Mounting with the BTU 0300M-W mounting device	40
6.2.4	Mounting with the BT 300 W mounting bracket	41
6.2.5	Mounting with BT 56 mounting device	41
6.2.6	Mounting with BT 300-1 mounting device	42

6.2.7	BPS mounting with M4 fastening screws	42
7	Electrical connection	43
7.1	External parameter memory in the connection hood	43
7.2	MS 307 connection hood with connectors	44
7.3	MK 307 connection hood with spring-cage terminals	44
7.4	Connection hood KB 307 with cable	44
7.5	Pin assignment	44
7.5.1	PWR / SW IN/OUT (Power and switching input/output)	44
7.5.2	SSI (HOST / BUS IN)	46
7.5.3	SSI connection cable KB 307	47
7.5.4	Service USB	47
7.6	Cable lengths and shielding	48
8	Basic configuration	50
8.1	Configuring the SSI interface	50
8.1.1	Principal functionality of the SSI interface	50
8.1.2	Setting the configuration of the SSI interface	52
8.2	Configuring the switching inputs/outputs	52
8.3	Configuring the resolution for the position value	52
8.4	Configuring velocity monitoring with switching output	52
8.5	Setting tape selection via the webConfig tool	53
8.6	Configuration via the switches of the connection hood	53
8.7	Setting configuration parameters to factory settings	55
8.8	Key factory settings of the BPS	55
9	Leuze electronic webConfig tool – Extended configuration	57
9.1	Install the software	57
9.1.1	System requirements	57
9.1.2	Install USB driver	57
9.2	Start webConfig tool	58
9.3	Short description of the webConfig tool	59
9.3.1	Overview	59
9.3.2	<i>CONFIGURATION</i> function	60
9.3.3	<i>ALIGNMENT</i> function	66
9.3.4	<i>PROCESS</i> function	67
9.3.5	<i>DIAGNOSIS</i> function	68
9.3.6	<i>MAINTENANCE</i> function	69
10	Diagnostics and troubleshooting	70
10.1	What to do in case of error?	70
10.1.1	Diagnostics with webConfig tool	70
10.2	Operating displays of the LEDs	70
10.3	Error messages on the display	71
10.4	Checklist for causes of errors	71
11	Care, maintenance and disposal	73
11.1	Cleaning	73
11.2	Servicing	73
11.2.1	Firmware update	73
11.2.2	BCB repair with repair kit	73
11.3	Disposing	74

12	Service and support	75
12.1	What to do should servicing be required?	75
13	Specifications	76
13.1	General specifications	76
13.1.1	BPS without heating	78
13.1.2	BPS with heating	78
13.2	Bar code tape	79
13.3	Dimensioned drawings	81
13.4	Dimensional drawings: Accessories	83
13.5	Dimensioned drawing bar code tape	87
14	Ordering information and accessories	88
14.1	BPS 307i type overview	88
14.2	Connection hoods	88
14.3	Cables-Accessories	88
14.4	Other accessories	89
14.5	Bar code tapes	89
15	EU Declaration of Conformity	92
16	Appendix	93
16.1	Revision History	93
16.1.1	Firmware	93
16.2	Bar code sample	93
16.2.1	BCB bar code tape with 40 mm grid	93
16.2.2	Bar code tape BCB8 with 30 mm grid	94

1 About this document

1.1 Used symbols and signal words

Table 1.1: Warning symbols and signal words



	Symbol indicating dangers to persons
	Symbol indicating dangers from harmful laser radiation
NOTICE	Signal word for property damage Indicates dangers that may result in property damage if the measures for danger avoidance are not followed.

Table 1.2: Other symbols



	Symbol for tips Text passages with this symbol provide you with further information.
	Symbols for action steps Text passages with this symbol instruct you to perform actions.

Table 1.3: Terms and abbreviations

BCB	Bar code tape (general or specific BCB type with 40 mm grid)
BCB8	Bar code tape (BCB type with 30 mm grid)
BPS	Bar code Positioning System
CFR	Code of Federal Regulations
DAP	Device Access Point
DCP	Discovery and Configuration Protocol
EMC	Electromagnetic compatibility
EN	European standard
FE	Functional earth
GSD	General Station Description
GSDML	Generic Station Description Markup Language
GUI	Graphical User Interface
IO or I/O	Input/Output
I&M	Information & Maintenance
IP	Internet Protocol
LED	Light Emitting Diode
MAC	Media Access Control
MVS	Type of control bar code
MV0	Type of control bar code

NEC	National Electric Code
OSI	Open Systems Interconnection model
PELV	Protective Extra-Low Voltage
RT	Real Time
SNMP	Simple Network Management Protocol
PLC	Programmable Logic Control
SSI	Synchronous Serial Interface (Digital Synchronous Serial Interface)
TCP	Transmission Control Protocol
UDP	User Datagram Protocol
USB	Universal Serial Bus
UL	Underwriters Laboratories
UV	Ultraviolet
XML	Extensible Markup Language

2 Safety

This sensor was developed, manufactured and tested in line with the applicable safety standards. It corresponds to the state of the art.

2.1 Intended use


The device is an optical measuring system which uses visible red laser light to determine its position relative to a permanently mounted bar code tape.

All accuracy details for the BPS 300 measurement system refer to the position relative to the permanently mounted bar code tape.

Areas of application

The BPS is designed for positioning in the following areas of application:

- Telfer line
- Travel and lifting axes of high-bay storage devices
- Repositioning units
- Gantry crane bridges and their trolleys
- Elevators

 CAUTION
<p>Observe intended use!</p> <p>↳ Only operate the device in accordance with its intended use.</p> <p>The protection of personnel and the device cannot be guaranteed if the device is operated in a manner not complying with its intended use.</p> <p>Leuze electronic GmbH + Co. KG is not liable for damages caused by improper use.</p> <p>↳ Read these original operating instructions before commissioning the device.</p> <p>Knowledge of the original operating instructions is an element of proper use.</p>

NOTICE
<p>Comply with conditions and regulations!</p> <p>↳ Observe the locally applicable legal regulations and the rules of the employer's liability insurance association.</p>

2.2 Foreseeable misuse

Any use other than that defined under "Intended use" or which goes beyond that use is considered improper use.

In particular, use of the device is not permitted in the following cases:

- Rooms with explosive atmospheres
- In circuits which are relevant to safety
- For medicinal purposes

NOTICE
<p>Do not modify or otherwise interfere with the device.</p> <p>↳ Do not carry out modifications or otherwise interfere with the device.</p> <p>The device must not be tampered with and must not be changed in any way.</p> <p>The device must not be opened. There are no user-serviceable parts inside.</p> <p>Repairs must only be performed by Leuze electronic GmbH + Co. KG.</p>

2.3 Competent persons

Connection, mounting, commissioning and adjustment of the device must only be carried out by competent persons.

Prerequisites for competent persons:

- They have a suitable technical education.
- They are familiar with the rules and regulations for occupational safety and safety at work.
- They are familiar with the original operating instructions of the device.
- They have been instructed by the responsible person on the mounting and operation of the device.

Certified electricians

Electrical work must be carried out by a certified electrician.

Due to their technical training, knowledge and experience as well as their familiarity with relevant standards and regulations, certified electricians are able to perform work on electrical systems and independently detect possible dangers.


In Germany, certified electricians must fulfill the requirements of accident-prevention regulations BGV A3 (e.g. electrician foreman). In other countries, there are respective regulations that must be observed.

2.4 Disclaimer

Leuze electronic GmbH + Co. KG is not liable in the following cases:

- The device is not being used properly.
- Reasonably foreseeable misuse is not taken into account.
- Mounting and electrical connection are not properly performed.
- Changes (e.g., constructional) are made to the device.

2.5 Laser warning notices



ATTENTION, LASER RADIATION – LASERCLASS2

Never look directly into the beam!

The device fulfills the IEC 60825-1:2007 (EN 60825-1:2007) requirements for a product in **laser class 2** as well as the U.S. 21 CFR 1040.10 regulations with deviations corresponding to “Laser Notice No. 50” from June 24th, 2007.

- ↳ Never look directly into the laser beam or in the direction of reflecting laser beams!
If you look into the beam path over a longer time period, there is a risk of injury to the retina.
- ↳ Do not point the laser beam of the device at persons!
- ↳ Interrupt the laser beam using a non-transparent, non-reflective object if the laser beam is accidentally directed towards a person.
- ↳ When mounting and aligning the device, avoid reflections of the laser beam off reflective surfaces!
- ↳ CAUTION! The use of operating or adjusting devices other than those specified here or carrying out of differing procedures may lead to dangerous exposure to radiation.
- ↳ Observe the applicable statutory and local laser protection regulations.
- ↳ The device must not be tampered with and must not be changed in any way.
There are no user-serviceable parts inside the device.
Repairs must only be performed by Leuze electronic GmbH + Co. KG.

NOTICE

Affix laser information and warning signs!

Laser information and warning signs attached to the device(see figure 2.1). Also included with the device are self-adhesive laser warning and laser information signs (stick-on labels) in multiple languages (see figure 2.2).

↳ Affix the laser information sheet with the language appropriate for the place of use to the device.

When using the device in the US, use the stick-on label with the “Complies with 21 CFR 1040.10” notice.

↳ Affix the laser information and warning signs near the device if no signs are attached to the device (e.g. because the device is too small) or if the attached laser information and warning signs are concealed due to the installation position.

Affix the laser information and warning signs so that they are legible without exposing the reader to the laser radiation of the device or other optical radiation.



- 1 Laser aperture
- 2 Laser warning sign
- 3C Laser information sign with laser parameters

Figure 2.1: Laser aperture, laser warning and information signs



Figure 2.2: Laser warning and information signs – supplied stick-on labels

3 Device description

3.1 Device overview

3.1.1 General information

The BPS bar code positioning system uses visible red laser light to determine its position and its velocity value relative to a bar code tape that is affixed along the travel path. This takes place in the following steps:

- Read a code on the bar code tape (see figure 3.1)
- Determine the position of the read code in the scanning beam
- Calculate the position to within less than a millimeter using the code information and the code position relative to the device's center.

The position and velocity values are then output to the controller via the host interface.

The BPS consists of device housing and interface connection hood for the connection to the control. The BPS can optionally be delivered with display and optics heating.

The following connection hoods are available for the connection of the SSI interface:

- MS 307 connection hood with M12 connectors
- MK 307 connection hood with spring-cage terminals
- Connection hood KB 307 with cable

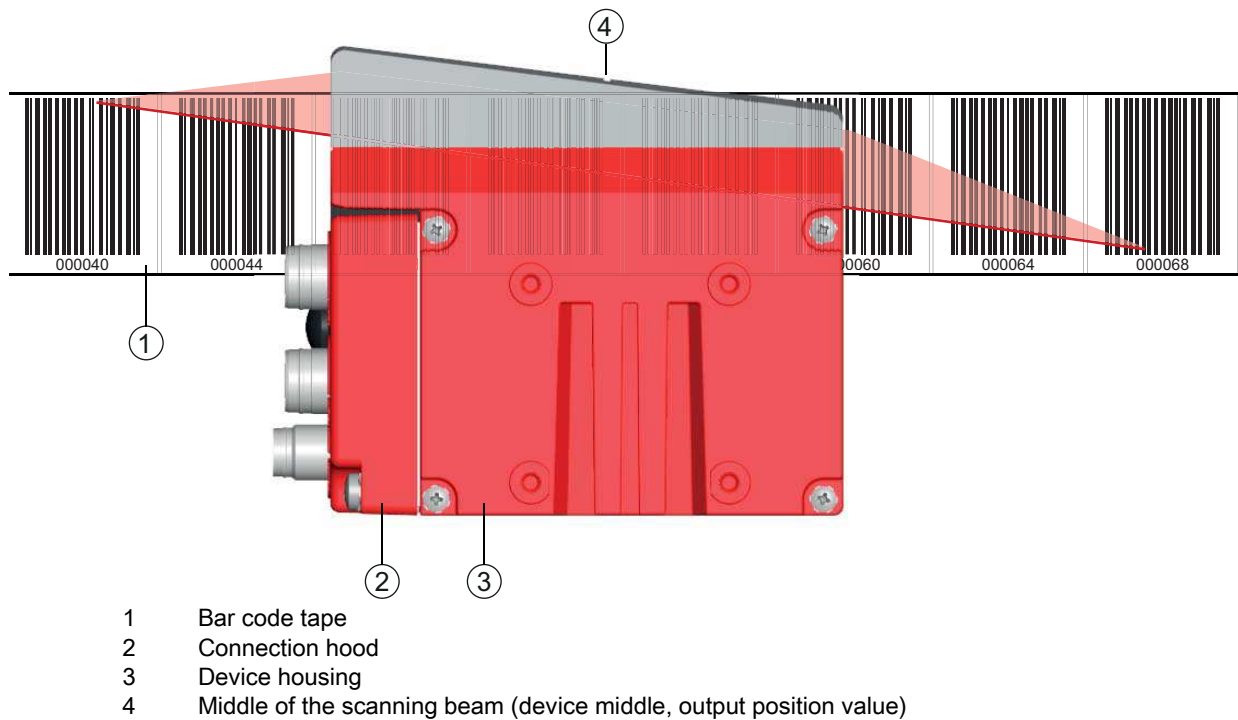


Figure 3.1: Device construction, device arrangement and beam exit

3.1.2 Performance characteristics

The most important performance characteristics of the bar code positioning system:

- Positioning with submillimeter accuracy from 0 to 10,000 m
- For the control at high traverse rates of up to 10 m/s
- Simultaneous position and velocity measurement
- Working range: 50 to 170 mm; enables flexible mounting positions
- Interfaces: PROFINET fieldbus, PROFIBUS fieldbus, SSI, RS 232/RS 422, RS 485
- Binary inputs and outputs for control and process monitoring
- Configuration via webConfig tool or fieldbus
- Diagnostics via webConfig tool or optional display
- Optional model with display
- Optional model with heating for use to -35 °C

3.1.3 Accessories

Special accessories are available for the bar code positioning system. The accessories are optimally matched to the BPS:

- Highly flexible, scratch-, smudge- and UV-resistant bar code tape
- Mounting devices for precise mounting with one screw (easy-mount)
- Modular connection technology via connection hoods with M12 connectors, spring-cage terminals or with cable.

3.1.4 Device model with heating

The bar code positioning system is optionally available as a model with integrated heating. In this case, heating is permanently installed ex works.

NOTICE
No self-installation of the heating!
☞ Self-installation of the heating on-site by the user is not possible.

The heating consists of two parts:

- Front cover heater
- Housing heater

Features of the integrated heating:

- Extends the application range of the BPS to -35 °C
- Supply voltage 18 ... 30 VDC
- BPS enabling through an internal temperature switch (start-up delay of about 30 min for 24 V DC and minimum ambient temperature of -35 °C)
- Required conductor cross-section for the power supply: At least 0.75 mm²

NOTICE
Do not use ready-made cables!
☞ It is not possible to use ready-made cables.
The current consumption of the BPS is too high for the ready-made cables.

Function

When the supply voltage is applied to the BPS, a temperature switch initially only supplies the heating with current (front cover heater and housing heater). During the heating phase (around 30 min), when the inside temperature rises above 15 °C, the temperature switch connects the BPS to the supply voltage. This is followed by the self test and the changeover to read operation. The PWR LED lights up, showing overall readiness for operation.

When the inside temperature reaches approx. 18 °C, another temperature switch turns the housing heater off and, if necessary, back on again (if the inside temperature drops below 15 °C). This does not interrupt the read operation.

The front cover heater remains activated until an inside temperature of 25 °C is reached. At temperatures above this, the front cover heater switches off and, with a switching hysteresis of 3 °C, back on again at an inside temperature below 22 °C.

3.2 Connection technology

For the electrical connection of the BPS, the following connection variants are available:

- MS 307 connection hood with M12 connectors
- MK 307 connection hood with spring-cage terminals
- Connection hood KB 307 with cable

The voltage supply (18 ... 30 VDC) is connected acc. to the connection type selected.

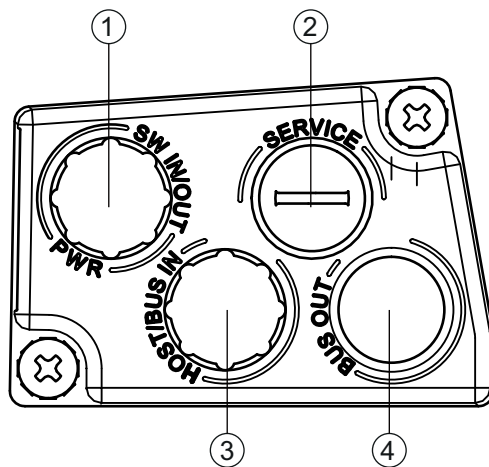
2 freely programmable switching inputs/switching outputs for individual adaptation to the respective application are also available here.

3.2.1 MS 307 connection hood with M12 connectors

The MS 307 connection hood features two M12 connector plugs and a Mini-B type USB socket as a service interface for configuration and diagnostics of the BPS.



The configuration switches and the integrated parameter memory for the simple replacement of the BPS are located in the MS 307.



- 1 PWR / SW IN/OUT: M12 plug (A-coded)
- 2 SERVICE: Mini-B USB socket (behind protective cap)
- 3 HOST / BUS IN: M12 plug (B-coded), SSI
- 4 BUS OUT: not equipped

Figure 3.2: MS 307 connection hood, connections


NOTICE

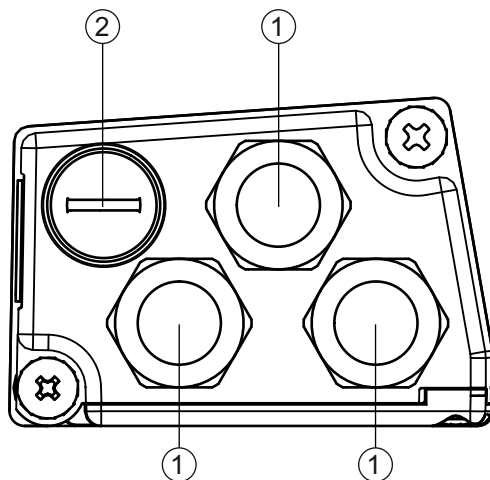
Shielding connection

↪ The shielding connection is done via the M12 connector housing.

3.2.2 MK 307 connection hood with spring-cage terminals

The MK 307 connection hood makes it possible to connect the BPS directly and without additional connectors. The MK 307 features cable bushings in which the shielding connection for the interface cable is also located. A Mini-B type USB socket is used for service purposes and for configuration and diagnostic of the BPS.

 The configuration switches and the integrated parameter memory for simple replacement of the BPS are located in the MK 307.




- 1 3x cable bushing, M16 x 1.5
- 2 SERVICE: Mini-B USB socket (behind protective cap)

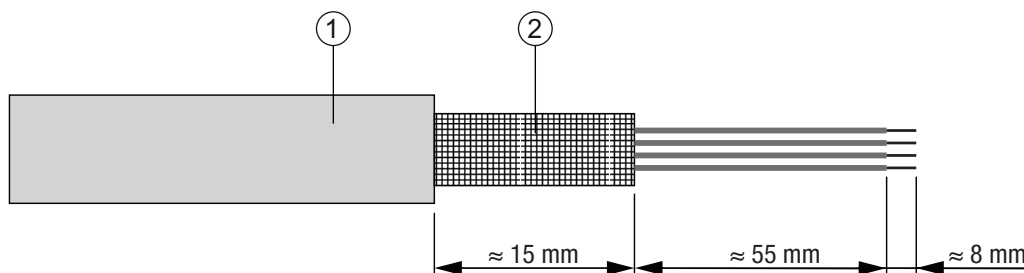
Figure 3.3: Connection hood MK 307, connections

Cable fabrication and shielding connection

- ↪ Remove approx. 78 mm of the connection cable sheathing.
15 mm of sheath of the shielded line must be freely accessible.
- ↪ Lead the individual wires into the terminals according to the diagram.

NOTICE
Do not use wire-end sleeves!
 ↪ When fabricating cables, we recommend against using wire-end sleeves.

 The shield is automatically contacted when the cable is lead into the metal screw fitting and fastened when the cord grip is closed.



- 1 Diameter of contact area, cable : 6 ... 9.5 mm
- 2 Diameter of contact area, shield: 5 ... 9.5 mm

Figure 3.4: Cable fabrication for connection hoods with spring-cage terminals

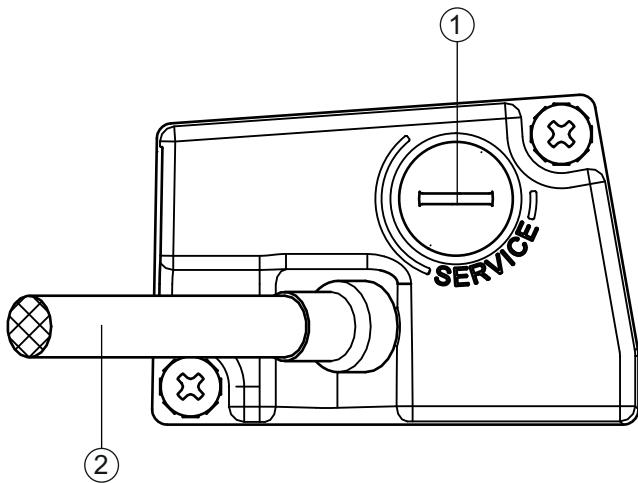
3.2.3 Connection hood KB 307 with cable

With connection hood KB 307 , it is possible to directly connect the BPS. A Mini-B type USB socket is used for service purposes and for configuration and diagnostic of the BPS.
 The length of the connection cable is 3 m.



To connect, the system plugs (JST) at the end of the cable must be removed.

No parameter memory is integrated in connection hood KB 307.



- 1 SERVICE: Mini-B USB socket (behind protective cap)
- 2 Connection cable

Figure 3.5: Connection hood KB 307-3000

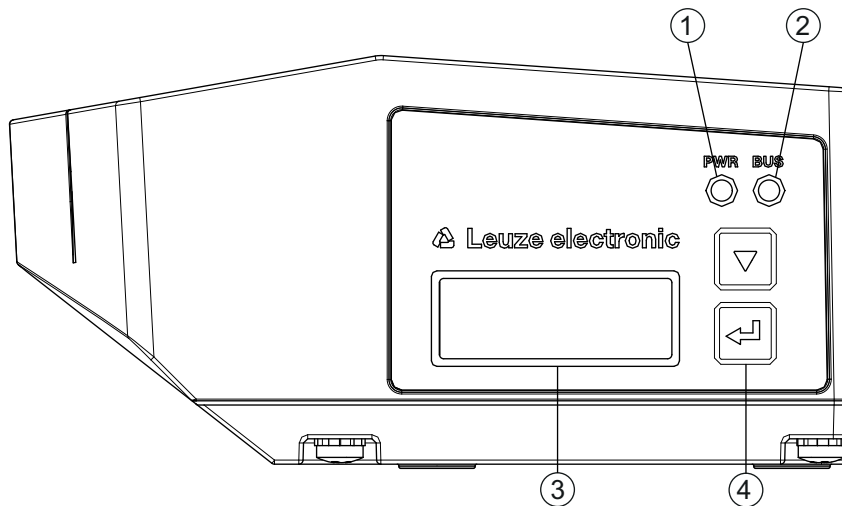
3.3 Display elements

The BPS is available optionally with display, two control buttons and LEDs or with only two LEDs as indicators on the device housing.

3.3.1 LED indicators

The device housing features the following multicolor LED indicators as primary display element:

- PWR
- BUS



- 1 LED PWR
- 2 LED BUS
- 3 Display
- 4 Control buttons

Figure 3.6: Indicators on the device housing

Table 3.1: Meaning of the LED indicators on the device housing

LED	Color, state	Description
LED 1 PWR	Off	Device is switched off • No supply voltage
	Green, flashing	Device is being initialized • Supply voltage connected • Initialization running • No measurement value output
	Green, continuous light	Device in operation • Initialization finished • Measurement value output
	Red, flashing	Warning set • No measurement (e.g. no bar code tape)
	Orange, continuous light	Service active • No data on the host interface • Configuration via USB service interface
LED 2 BUS	Off	No supply voltage
	Green, flashing	Initialization of the host interface • No communication
	Green, continuous light	Host interface active • Communication possible
	Red, flashing	Communication error detected

3.3.2 Display indicators

The optional display of the BPS is only used as a display element. The display has the following features:

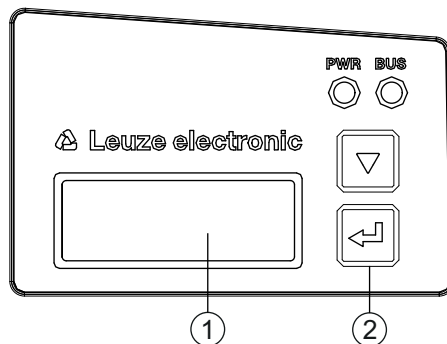
- Monochromatic with white background lighting
- Double line, 128 x 32 pixels
- Display language: English

Two control buttons can be used to control which values appear in the display.

The background lighting is activated by pressing any control button and is automatically deactivated after ten minutes have passed.

The display shows the content on two lines:

- The upper display line shows the selected function as an English term.
- The lower display line shows the data of the selected function.



- 1 Display
- 2 Control buttons

Figure 3.7: Display on the device housing

Display functions

The following functions can be displayed and activated in the display:



- Position value
 - *Position Value*
 - Position value in mm
Display with “.” as decimal separator character (e.g., + 34598.7 mm)
- Read quality
 - *Quality*
 - 0 ... 100 %
- Device status
 - *BPS Info*
 - *System OK / Warning / Error*
- I/O status
Status of the inputs/outputs
 - *I/O status*
 - *IO1 In:0 / IO2 Out:0*
In/Out depending on configuration, 0/1 for state of the I/O
- Version information
Software and hardware version of the device
 - *Version*
 - *SW: V1.3.0 HW:1*

NOTICE






Laser activation by selecting *Quality!*

⚠ If measurement is stopped, the laser is activated by selecting *Quality*.

The display is controlled via the control buttons:

-  – **Enter**: activate or deactivate the display shift function
-  – **Down**: scroll through functions (downwards)

Example: Representation of the I/O status on the display

1. Press button  : display flashes
2. Press button  : Display changes from position value (*Position Value*) to read quality (*Quality*)
3. Press button  : Display changes from read quality (*Quality*) to device status (*BPS Info*)
4. Press button  : Display changes from device status (*BPS Info*) to I/O status
5. Press button  : I/O status displayed, display stops flashing

Display during device start-up

During device start-up, a start-up display first appears which is briefly followed by the display with the version information.

The standard display after starting up the BPS is *Position Value*.

3.4 Bar code tape

3.4.1 General information

The bar code tape is available in different variants:

- BCB bar code tape with 40 mm grid
Code128 with character set C, increasing in increments of 4 (e.g., 000004, 000008, ...)
- Bar code tape BCB8 with 30 mm grid
Code128 with character set C, increasing in increments of 3 (e.g. 000003, 000006, ...)

A bar code tape consists of a sequence of individual position labels in one of the two grids. Defined cut marks are provided for cutting the BCB.

The bar code tape is delivered on a roll. A roll contains up to 200 m of BCB, with the wrapping direction from the outside to the inside (smallest number on the outside). If more than 200 m of BCB is ordered, the total length is divided into rolls of 200 m.

Bar code tapes with special requirements with respect to height, length and value range can be ordered from **Leuze electronic** (see chapter 14.5 "Bar code tapes").

NOTICE

Value range for BCB with special requirements!

- ↳ When ordering bar code tapes with special requirements, make certain that the value range contains only values that are divisible by three (BCB8 with 30 mm grid) or four (BCB with 40 mm grid).
It may otherwise not be possible to purchase and use repair tapes.

NOTICE

Only one BCB type per system!

- ↳ In a given system, use either only BCB8 with 30 mm grid or only BCB with 40 mm grid.
If different BCB types are used in one system, the BPS cannot ensure an exact position determination.

NOTICE

Configure the BPS for the used BCB type!

- ↳ The used BCB type must be set in the webConfig tool with the *Tape selection* parameter; see chapter 9.3.2 "CONFIGURATION function".
- ↳ On delivery, the BPS is set for BCB with a 40 mm grid.
If the BCB8 with a 30 mm grid is used, the *Tape selection* must be adjusted in the BPS configuration.
- ↳ If the used BCB type does not correspond to the *Tape selection* configured in the BPS, exact position determination cannot be performed by the BPS.

BCB bar code tape with 40 mm grid

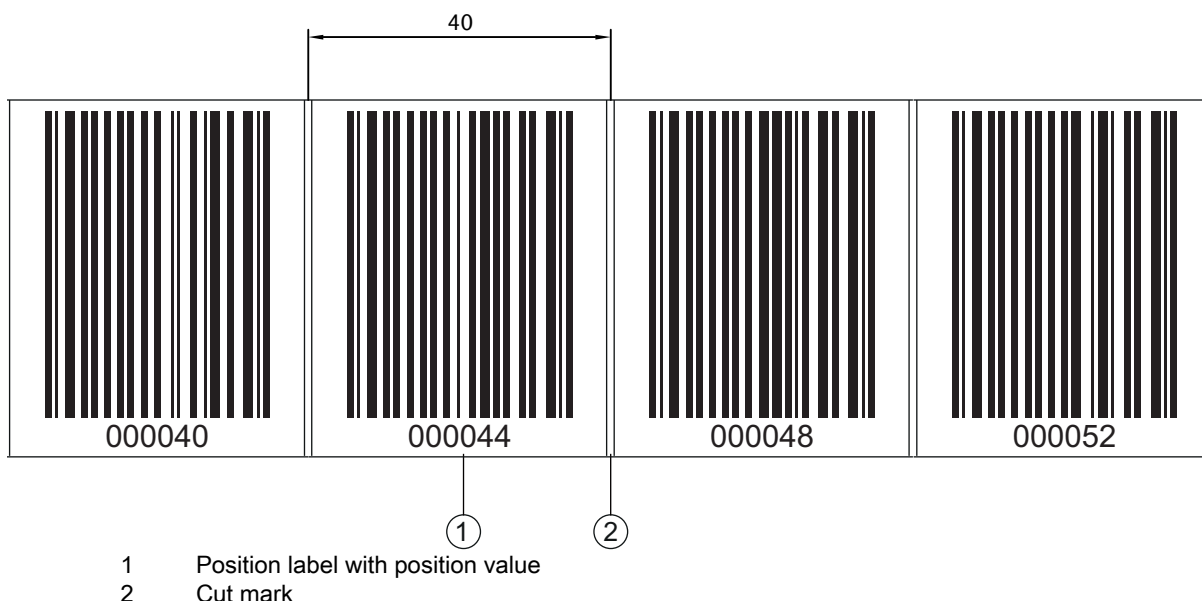



Figure 3.8: Bar code tape with 40 mm grid

The standard height of 47 mm can be adapted. Other BCB height (25 mm) and special heights on request.

 With a standard bar code tape and a repair tape with 40 mm grid, the printed numerical values are divisible by four without a remainder.

Bar code tape BCB8 with 30 mm grid

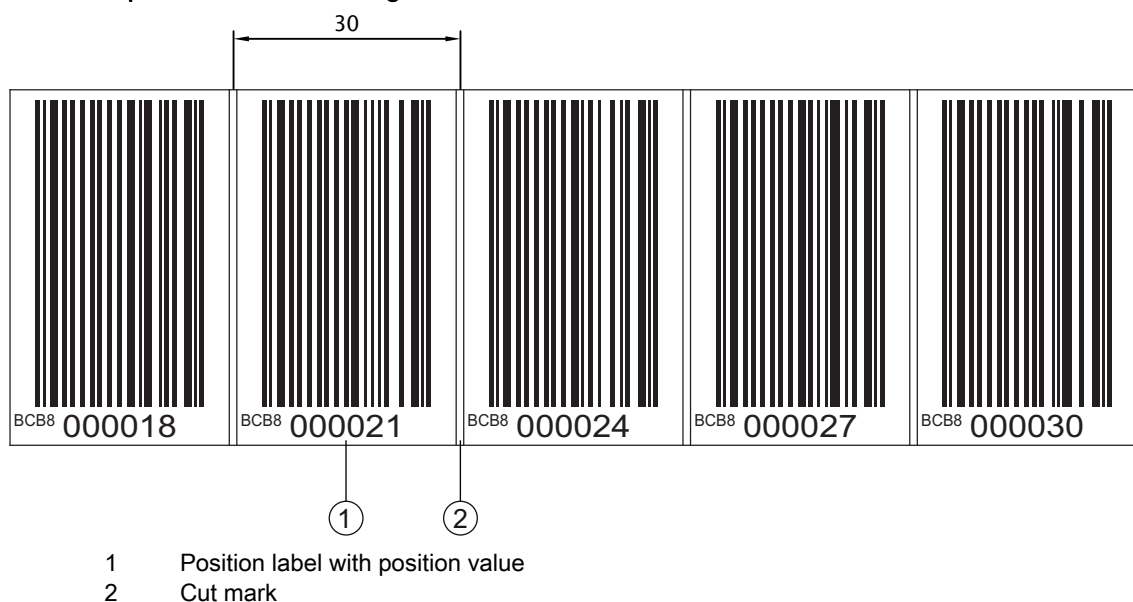



Figure 3.9: Bar code tape with 30 mm grid

The standard height of 47 mm can be adapted. Other BCB heights (25 mm and 30 mm) and special heights on request.

 With a standard bar code tape and repair tape with 30 mm grid, the printed numerical values are divisible by three without a remainder.

For bar code tapes with 30 mm grid, the designation *BCB8* is printed in plain text in addition to the position value.

3.4.2 Control bar codes

With the help of control bar codes that are affixed on top of the bar code tape at appropriate positions, functions in the BPS can be activated or deactivated, e.g., for changing various position values at switches. Code type Code128 with character set B is used for the control bar code.

The *MVS* label is a control bar code for the direction-independent switching of the position values from one bar code tape to another in the middle of the control bar code label.

- If, upon reaching the changeover position in the middle of the *MVS* label, the BPS does not detect the new BCB section in the scanning beam, the position value of the first BCB section is still output after the middle of the *MVS* label for half of the label width.

The *MVO* label is a control bar code for the deactivation of the position output.

- If the BPS detects the middle of the *MVO* label, no position values are output after the middle of the *MVO* label.

Arrangement of the control bar codes

The control bar code is attached in such a way that it replaces one position bar code or seamlessly connects two bar code tapes with different value ranges to one another (see figure 3.10).

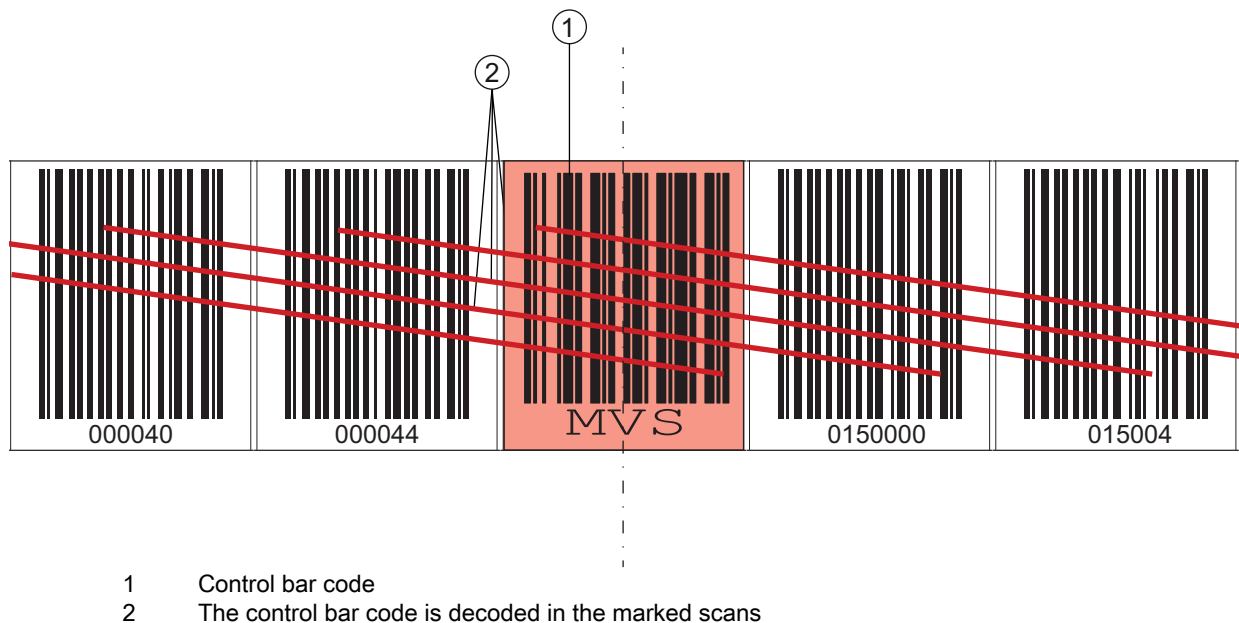
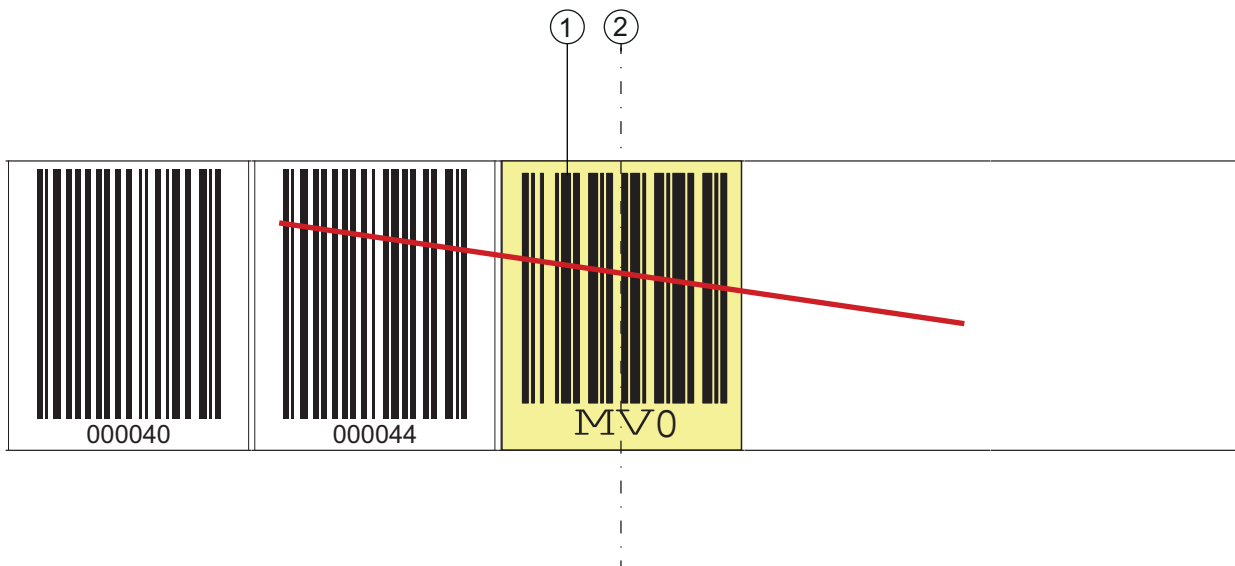


Figure 3.10: Arrangement of the MVS control bar code



- 1 Control bar code
- 2 End of position determination from the middle of the control bar code

Figure 3.11: Arrangement of the MV0 control bar code

NOTICE

Distance between two control bar codes!

↪ Make certain that there is only one control bar code (or marker label) in the scanning beam at a time. The minimum distance between two control bar codes is determined by the distance between the BPS and bar code tape and the resulting length of the scanning beam.

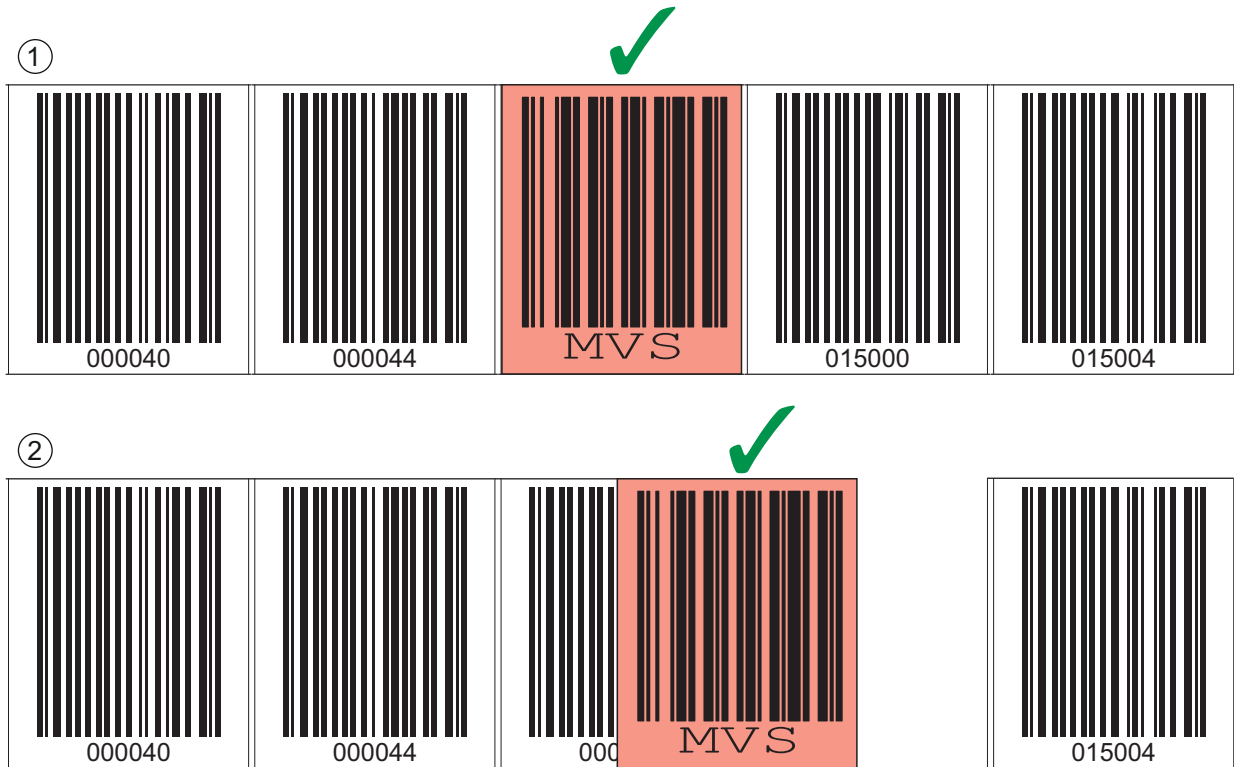
The control bar codes are simply affixed over the existing bar code tape.

A control bar code should cover an entire position bar code and must have the correct grid dimension (see figure 3.12):

- 30 mm with BCB8 bar code tapes
- 40 mm with BCB bar code tapes



Keep the gap between the BCBs that are switched between as small as possible.



- 1 Control bar code perfectly affixed on the bar code tape
- 2 Control bar code at small gap between two bar code tapes

Figure 3.12: Correct positioning of the control bar code

NOTICE

Gaps in bar code tape

- ↳ Avoid polished and high-gloss surfaces.
- ↳ Keep the gaps between the two bar code tapes and the control bar code as small as possible.

Measurement value switching between two bar code tapes with different value ranges

The *MVS* or *MVO* control bar code is used to switch between two bar code tapes.

NOTICE

1 m minimum distance of the bar code values for measurement value switching!

- ↳ For different BCB value ranges, make certain that the minimum distance of 1 m between the preceding position bar code (before the control bar code) and the subsequent position bar code (after the control bar code) is maintained.

Example (BCB with 40 mm grid): If the last position bar code on the BCB before the control bar code is *75120*, the following position bar code on the BCB after the control bar code must be at least *75220*.

If the minimum distance between the bar code values is not maintained, position determination may be faulty.

- The end of the preceding bar code tape and the start of the subsequent bar code tape can end and begin, respectively, with completely different position bar codes.
- BCB changeover by means of a control bar code always occurs at the same position, i.e., it serves to change from the preceding tape to the subsequent tape and vice versa.
- If the center of the BPS reaches the transition point of the control bar code, the device switches to the second BCB, provided the next position label is in the BPS's scanning beam (see figure 3.13). The output position value is thereby always uniquely assigned to one BCB.



If the BPS does not detect the new BCB section upon reaching the changeover position, the position-value output is dependent on the used control bar code.

MVS control bar code: The position value of the first BCB is output beyond the middle of the *MVS* label for half of the label width.

MVO control bar code: No position values are output after the middle of the *MVO* label.

- When the control label is passed, the new BCB value is output relative to the middle of the device or label.

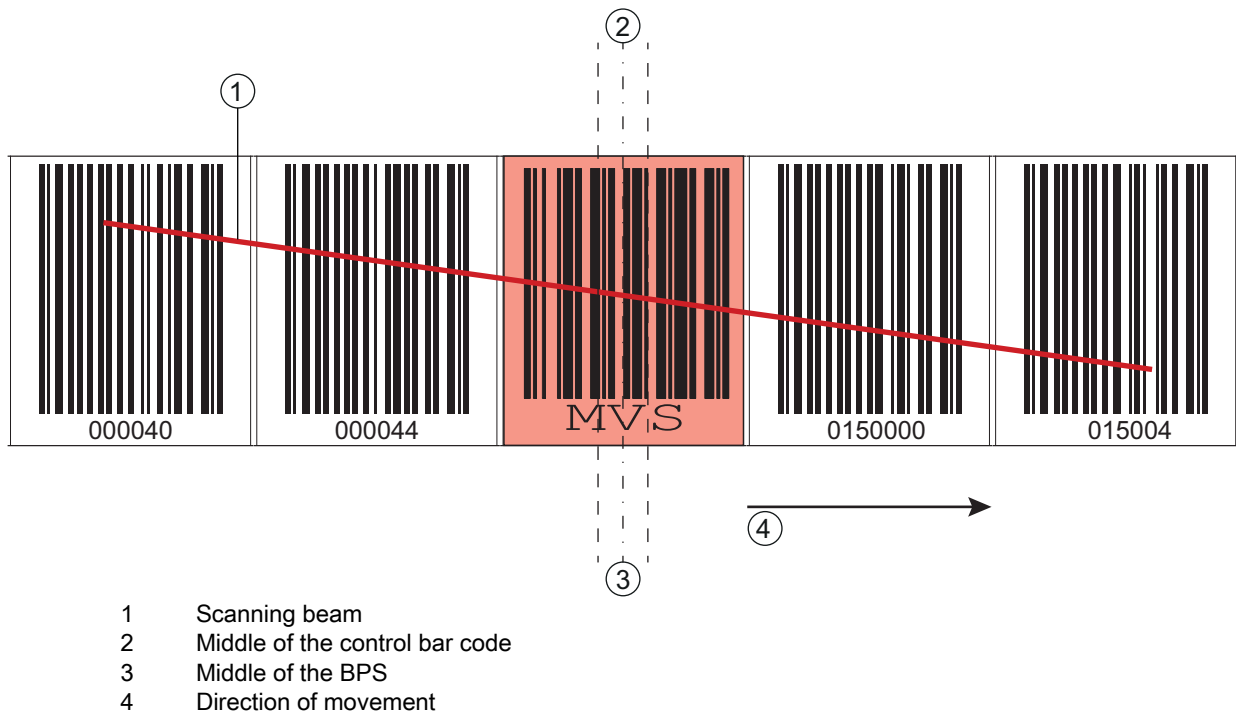


Figure 3.13: Changeover position with *MVS* control bar code for BCB changeover

3.4.3 Marker labels

Marker labels, which are affixed at the appropriate locations on top of the bar code tape, can be used to trigger various functions in the superior control. The BPS detects the defined marker labels in the scanning beam, decodes them, and makes them available to the control.

NOTICE

Distance between two marker labels!

☞ Make certain that there is only one marker label (or control bar code) in the scanning beam at a time. The minimum distance between two marker labels is determined by the distance between the BPS and bar code tape and the resulting length of the scanning beam.

Definition of the marker label

The following combinations of letters and numbers may be used as marker labels:

First character: A ... Z, a ... z

Second character: Digit from 0 ... 9

Third character: Digit from 0 ... 9

Structure of the marker labels

Code type Code128 with character set B is used for the marker labels.

Arrangement when using the marker label with positioning

The marker label must be attached to the bar code tape aligned with the grid of the actual coding. A position code should be visible before and after the marker label.

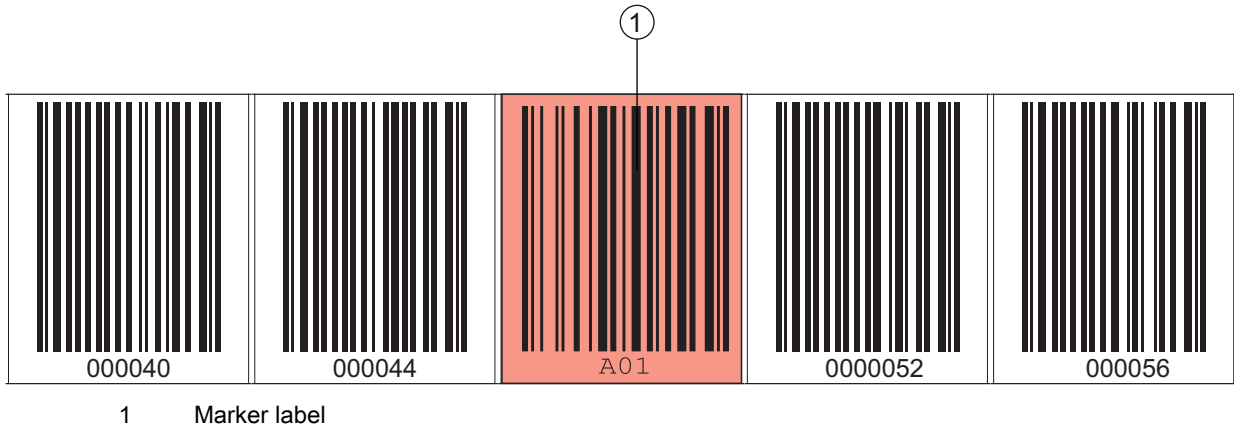


Figure 3.14: System arrangement of marker labels

Arrangement when using the marker label without positioning

The marker label must be positioned within the BPS's detection range.

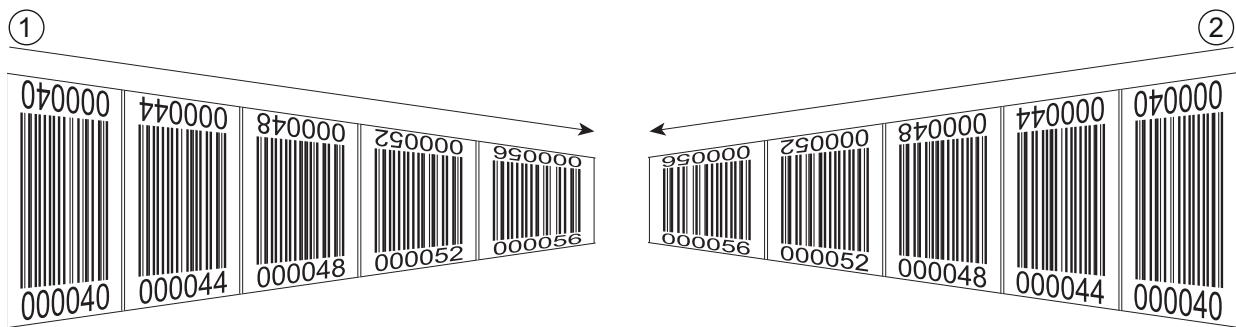
3.4.4 Twin tapes

Twin tapes are jointly manufactured bar code tapes with the same value range.

NOTICE
A twin tape always consists of two bar code tapes!
↳ When ordering a twin tape, two bar code tapes are always included with an order.

Twin tapes are used if positioning with two bar code tapes is necessary, e.g., with crane systems or elevators.

Because they are manufactured jointly, both tapes have the same length tolerance. As a result, differences in length and code position are minimal. By having the same code position on both tapes, improved synchronization can be achieved during positioning compared to bar code tapes that are manufactured separately.



- 1 Twin bar code tape 1
- 2 Twin bar code tape 2

Figure 3.15: Twin tape with double numbering



Twin tapes are always delivered in pairs on two rolls.
If twin tapes are replaced, both tapes are to be replaced.

Twin tapes can be ordered from **Leuze electronic** (see chapter 14.5 "Bar code tapes").

4 Functions

This chapter describes the functions of the BPS and the parameters for adaptation to the respective application conditions and requirements.

The parameters are set via the webConfig tool; see chapter 9 "Leuze electronic webConfig tool – Extended configuration".

Main functions:

- Position measurement
- Velocity measurement

The following parameters are relevant for the timing of the position and velocity measurement:

- Measurement value preparation
Configurable integration depth/integration time
- Measuring error tolerance
Configurable time-based error suppression

4.1 Position measurement

The output value of the position measurement is calculated from the measurement and the settings for resolution, preset, offset, etc.

The most important individual parameters for the position measurement are:

Parameters	Description	Range/Values
Position resolution	The parameter specifies the resolution of the position value. It acts only on the host interface. The resolution has no effect on the set parameter values such as offset or preset.	0.001 mm 0.01 mm 0.1 mm 1 mm 10 mm or Free resolution
Measurement unit	The parameter specifies the measurement unit of the measured position and velocity. The selection of the measurement unit affects all parameters with measurement units.	Metric (mm) or Inch (1/100 in)
Offset	The offset is used to correct the position value by a fixed amount. If the offset is activated, the offset is added to the position value. This yields a new output value: Output value = position value + offset	1 mm or inch/100
Preset	Like the offset, the preset is used to correct the position value. With preset, a preset value is specified. The value is accepted during a corresponding event (switching input or fieldbus). If the preset is activated, this has priority over the offset.	1 mm or inch/100

4.2 Velocity measurement

The current velocity is ascertained and output on the basis of the respective position values.

The most important individual parameters for the velocity measurement are:

Parameters	Description	Range/Values
Velocity resolution	The parameter defines the resolution of the velocity value. It affects only the fieldbus output.	1 mm/s 10 mm/s 100 mm/s 1000 mm/s or Free resolution
Averaging	The parameter specifies the averaging time of the calculated velocity values in steps.	Steps: 2 ms, 4 ms, 8 ms, 16 ms, 32 ms, 64 ms, 128 ms

4.3 Timing

The BPS of the 300i series operate with a scanning rate of 1000 scans per second. A measurement value is ascertained every 1 ms.

The following parameters are relevant for the timing of the position and velocity measurement:

Parameters	Description	Range/Values
Integration depth	The integration depth affects the measurement of position and velocity. The <i>integration depth</i> parameter specifies the number of sequential measurements that the BPS uses for position determination. The integration results in smoothing of the output measurement value. With the BPS 300i, an <i>integration depth</i> of 8 yields an integration time of 8 ms.	Factory setting: 8
Update rate	The update rate (50 µs to 2 ms) of the measurement values at the SSI interface can be configured via the webConfig tool; see chapter 9.3.2 "CONFIGURATION function".	Factory setting: 2 ms
Error delay time	Errors that occur are suppressed for the configured time. If no valid position or velocity value can be ascertained in the configured <i>error delay time</i> , the last valid value is always output. If the error persists after the <i>error delay time</i> elapses, the value of the <i>Position / Velocity value in case of error</i> parameter is then output (standard).	Factory setting: 50 ms

4.4 Leuze webConfig tool

The webConfig configuration tool offers a graphical user interface for the display of process data, configuration and diagnostics of the BPS via a PC; see chapter 9 "Leuze electronic webConfig tool – Extended configuration".

4.5 Evaluation of the read quality

The BPS can signal the read quality of the BPS. The read quality is displayed in % values.

The parameters for the evaluation of the read quality are set via the webConfig tool:

CONFIGURATION > DATA PROCESSING > Read quality; see chapter 9.3.2 "CONFIGURATION function".



The values of the read quality are displayed via the optional display (*Quality*), the serial communication protocol and via the webConfig tool; see chapter 9.3.3 "ALIGNMENT function".

The evaluation of the read quality provides the following information, e.g.:

- The read quality is constantly bad: Soiling of the BPS optics
- The read quality is always bad at certain position values: Soiling of the BCB

4.6 Distance measurement to the bar code tape

Within the reading field, the BPS can output the current distance from the read head to the BCB. The distance from the position label closest to the reference point is output.

The distance measurement value is output via:

- The *ALIGNMENT* function (*Quality* menu) in the webConfig tool (see chapter 9.3.3); this function is only available in the *Service* operating mode.

5 Applications

Wherever systems are moved automatically, it is necessary to uniquely determine their respective positions. In addition to mechanical measuring sensors, optical methods are particularly well suited for position determination as they can be used to determine position without mechanical wear and slippage.

Compared to common optical measurement techniques, the Leuze electronic Bar code Positioning System (BPS) is able to measure a position with absolute sub-millimeter accuracy, i.e. independent of reference points. As a result, it is able to provide a unique position value at any time. With the highly flexible and hard-wearing Bar Code Tape (BCB), the system can even be used without problem in systems with curves or guide tolerances. And this at lengths of up to 10,000 meters.

The product family of Leuze electronic bar code positioning systems convinces with a variety of advantages:

- The laser simultaneously scans three bar codes and, as a result, is able to determine the position with sub-millimeter accuracy. The wide reading field makes accurate position determination possible even in the event of minor damage to the tape.
- With the systems' flexible depth of field, it is also possible to bridge over mechanical deviations.
- Due to the large reading distance combined with the great depth of field, a large opening angle and a very compact construction, the device is ideally suited for the conveyor and storage technology market.
- The BPS devices are capable of simultaneously measuring position and velocity and are thus also suitable for control tasks in your automation applications.
- Using a mounting device, the BPS can be mounted with millimeter accuracy with just one screw. If mounted using a mounting device, a new device is automatically aligned correctly should it be necessary to exchange a device (easy-mount).
- The unique labeling of the bar code tape allows the system to be put back into operation without problem even after a brief voltage drop without, e.g., needing to utilize a reference point.
- The Leuze electronic bar code tape is very robust, highly flexible and, thanks to the self-adhesive back, can be easily integrated into your overall mechanical system. It can be fit optimally to both vertical as well as horizontal curved paths and thereby reliably facilitates trouble-free and reproducible measurement at any point in your system with sub-millimeter accuracy.

Typical applications for the BPS include:

- High-bay storage device (see chapter 5.1)
- Telfer line (see chapter 5.2)
- Gantry cranes (see chapter 5.3)

5.1 High-bay storage device

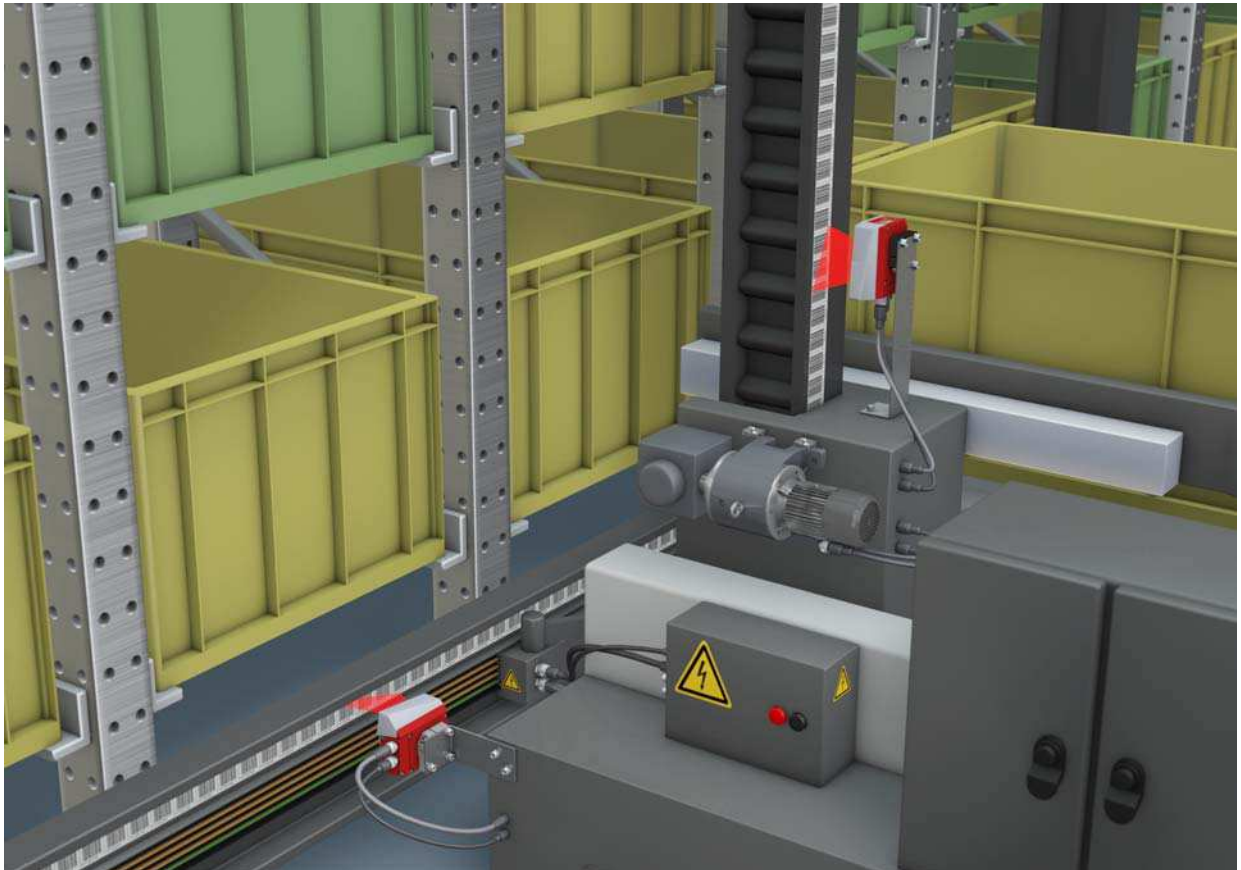


Figure 5.1: High-bay storage device

- ↻ Simultaneous position and velocity measurement for regulation tasks
- ↻ Precise positioning with a reproducibility of ± 0.15 mm
- ↻ Control at high traverse rates of up to 10 m/s

5.2 Telpher line



Figure 5.2: Telpher line

- ↪ The working range from 50 - 170 mm allows for flexible mounting positions and reliable position detection at varying distances
- ↪ Control codes for changing to different position values at switches

5.3 Gantry cranes

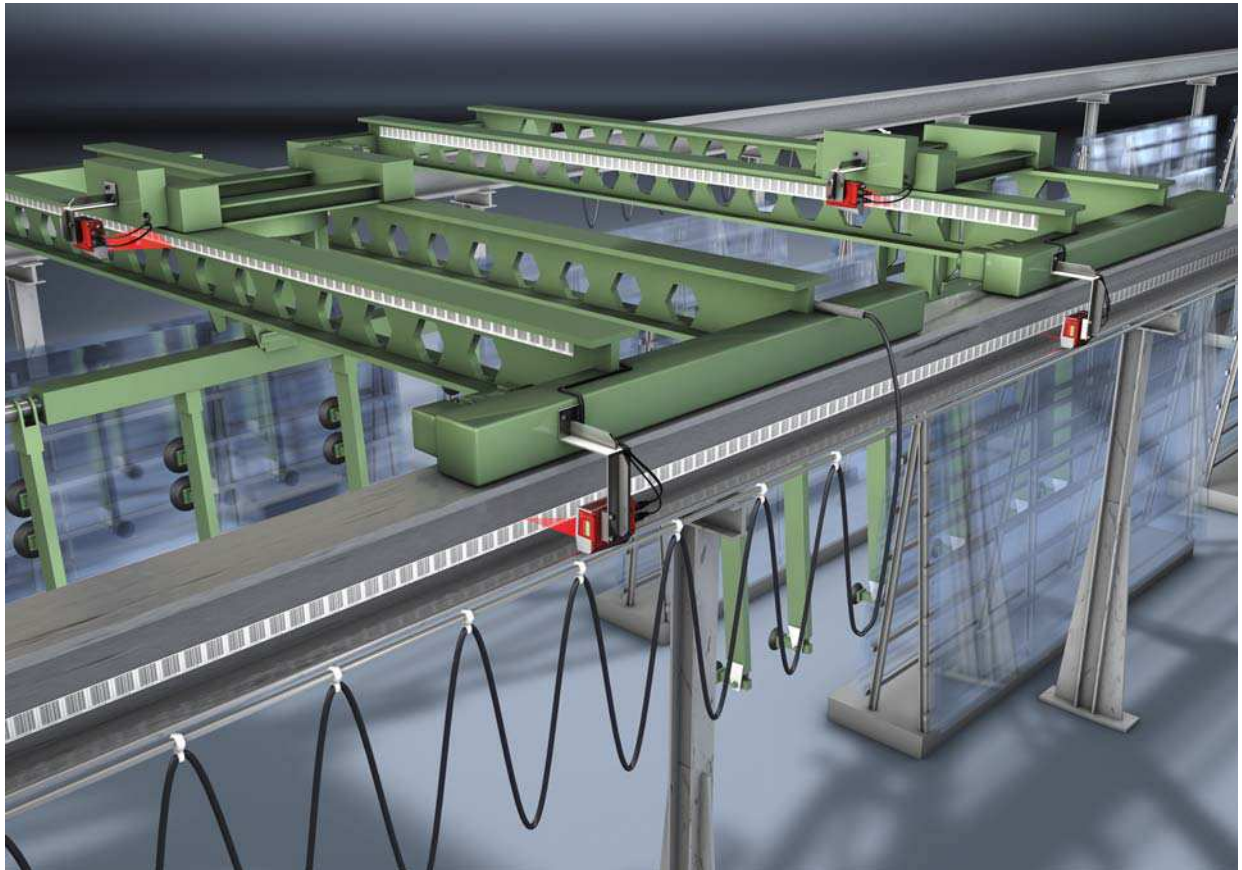


Figure 5.3: Gantry cranes

- ↵ Positioning from 0 to 10,000 meters
- ↵ Scratch- and smudge-proof, UV-resistant bar code tapes
- ↵ Synchronous positioning with twin tapes on both rails
- ↵ Mounting device for fast, precise mounting with one screw

6 Mounting and installation

6.1 Mounting bar code tape

6.1.1 Installation and application remarks

NOTICE

BCB mounting

↳ When processing BCBs, observe the specified processing temperatures.

When processing BCBs in cold storage facilities, the BCB must be affixed before cooling the storage facility.

However, if it should be necessary to affix the BCB at temperatures outside of the specified processing temperature, assure that the bonding surface as well as the BCB are at the processing temperature.

↳ Avoid dirt deposits on the BCB.

If possible, affix the BCB vertically.

If possible, affix the BCB below an overhead covering.

The BCB must never be continuously cleaned by on-board cleaning devices such as brushes or sponges. Permanent on-board cleaning devices polish the BCB and give it a glossy finish. The read quality deteriorates as a result.

↳ After affixing the BCBs, make certain that there are no polished, high-gloss surfaces in the scanning beam (e.g., glossy metal at gaps between the individual BCBs), as the measurement quality of the BPS may be impaired.

Affix the BCBs to a diffusely reflective support, e.g., a painted surface.

↳ Avoid sources of extraneous light and reflections on the BCB.

Ensure that neither strong sources of extraneous light nor reflections of the support on which the BCB is affixed occur in the vicinity of the BPS scanning beam.

↳ Affix the BCB over expansion joints up to a width of several millimeters.

The BCB must not be interrupted at this location.

↳ Cover protruding screw heads with the BCB.

↳ Ensure that the BCB is affixed without tension.

The BCB is a plastic tape that can be stretched by strong mechanical tension. Excessive mechanical stretching results in lengthening of the tape and distortion of the position values.

NOTICE

BCB application

↳ Make certain that the BCB is located in the scanning beam of the BPS over the entire traversing path.

The BPS can determine the position on BCBs with arbitrary orientation.

↳ Bar code tapes with different value ranges may not directly follow one another.

In the case of different value ranges, a gap of at least 1 m must be maintained between the last position bar code of the preceding BCB and the first position bar code of the subsequent BCB (see chapter 3.4.2).

↳ For *MVS/MVO* control bar codes (see chapter 3.4.2), the minimum distance of 1 m between the last position bar code before the control bar code and the first position bar code after the control bar code must be maintained.

↳ For bar code tapes with different value ranges, both BCBs must correspond to the BCB type configured in the BPS (see chapter 3.4.1).

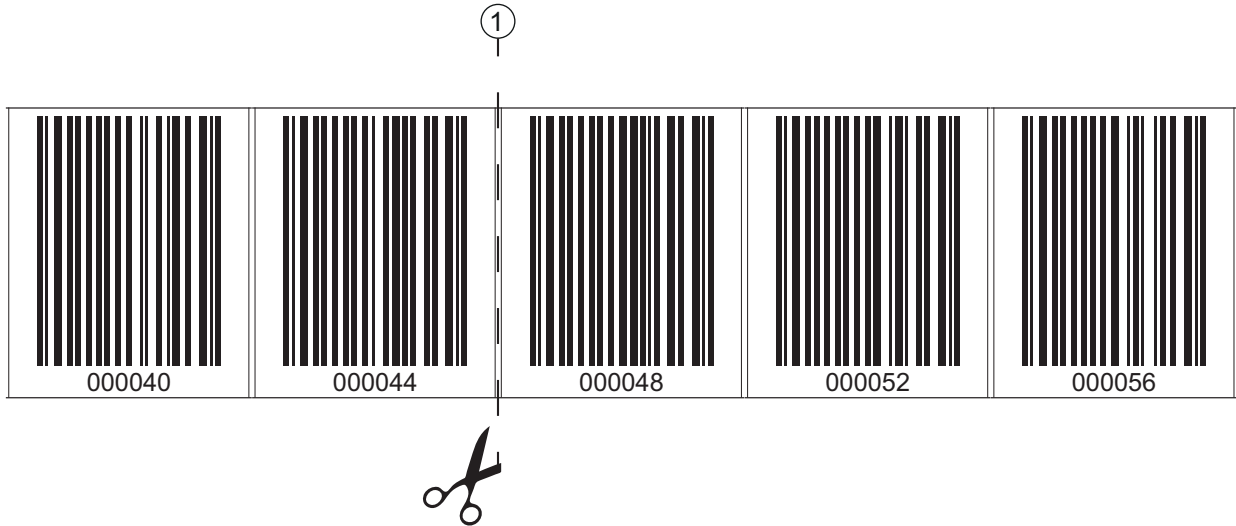
↳ Avoid position bar code labels with the value *00000*.

Measurements to the left of the center of a *00000* label produce negative position values that may not be displayed correctly.

6.1.2 Cutting bar code tapes

NOTICE
Avoid cutting BCB!
<p>↳ If possible, avoid cutting bar code tapes.</p> <p>Optimum position value determination by the BPS is achieved with continuously affixed BCB.</p> <p>↳ If there are mechanical gaps, first affix the BCB continuously. Then cut the BCB.</p>

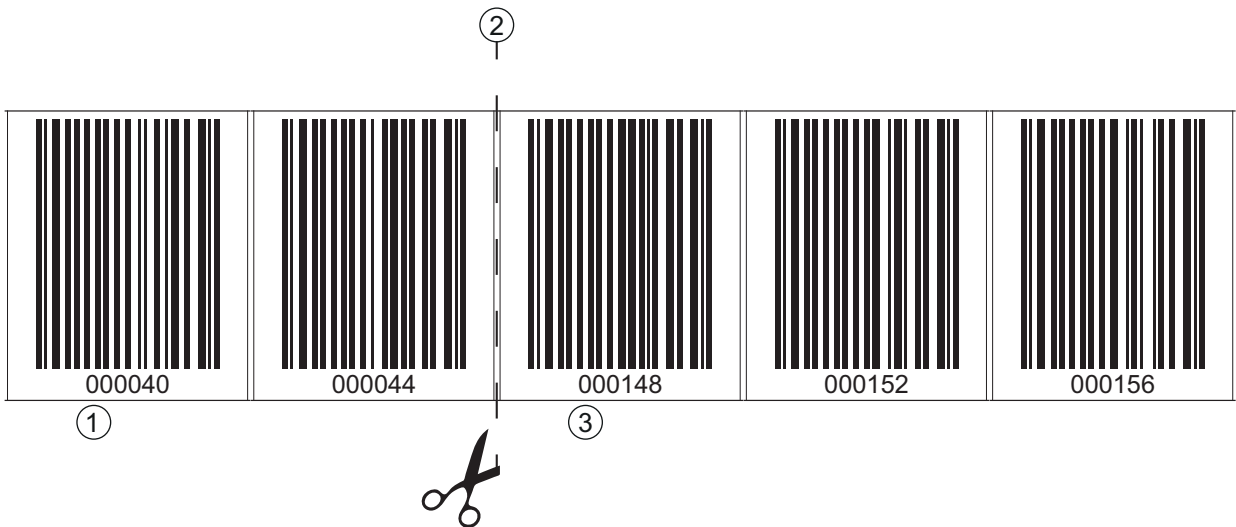
The BCB is cut at the indicated cut marks; see figure 6.1.



1 Cut mark

Figure 6.1: Cut mark on the bar code tape

If another BCB is to be affixed directly after the preceding BCB, the subsequent bar code value must differ from the preceding BCB by at least 1 m; see figure 6.2.



1 Preceding bar code tape
 2 Cut mark
 3 Subsequent bar code tape, value range + 1 m

Figure 6.2: Cut bar code tape

If there is a gap without tape after the preceding BCB, it must be at least 300 mm wide before the subsequent BCB is affixed; see figure 6.3. The first bar code value of the subsequent BCB must differ by at least 20 (200 mm) from the last bar code value of the preceding BCB.

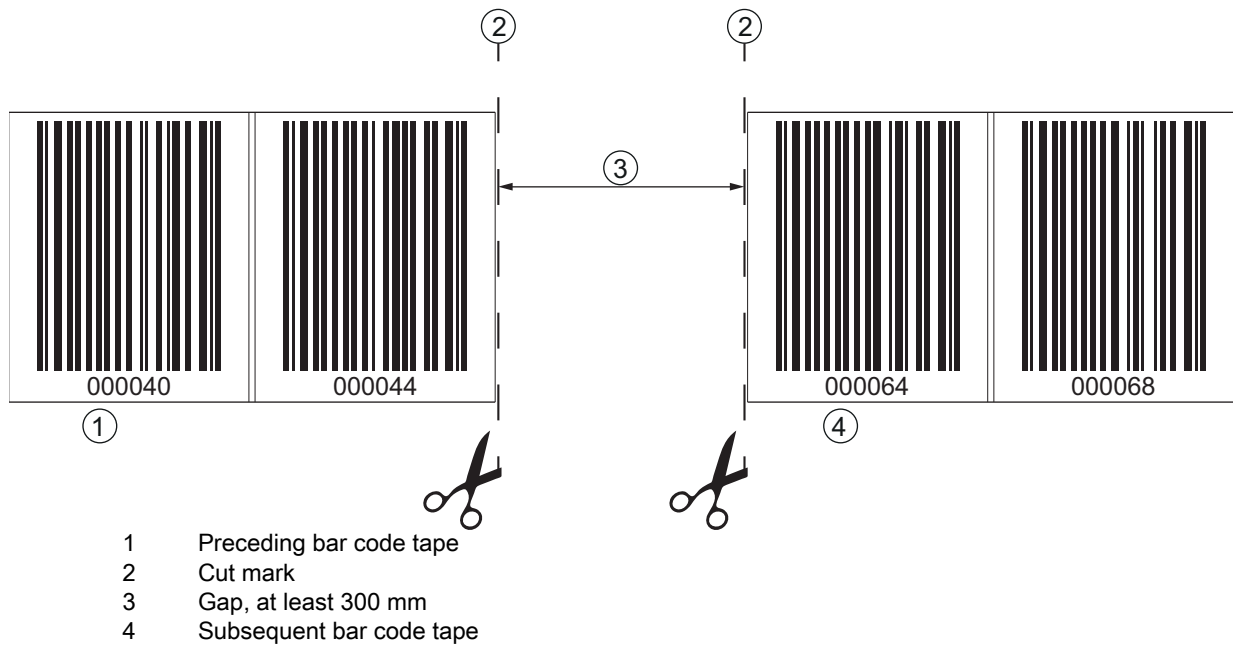


Figure 6.3: Gap in cut bar code tape to avoid double positions

NOTICE

No glossy gaps in the cut bar code tape!

↪ Ensure that there are matt, bright surfaces behind the gaps in the BCB.
 Polished, reflective, and high-gloss surfaces in the scanning beam may impair the measurement quality of the BPS.

6.1.3 Mounting the BCB

Mount the BCB as follows:

- ↪ Examine the mounting surface.
 It must be flat, free of grease and dust, and be dry.
- ↪ Define a reference edge (e.g., metal edge of the busbar).
- ↪ Remove the backing and affix the BCB along the reference edge tension free.
- ↪ Secure the BCB to the mounting surface by pressing down with the palm of your hand.
 When affixing, make certain that the BCB is free of folds and creases and that no air pockets form.

NOTICE

When mounting, do not pull on the BCB!

↪ The BCB is a plastic tape that can be stretched by strong mechanical tension. The stretching results in lengthening of the tape and distortion of the position values on the BCB.
 While the BPS can still perform the position calculation in the event of distortions, the absolute measurement accuracy is no longer ensured in this case. If the values are taught using a teach-in process, stretching of the BCB is irrelevant.



If a bar code tape was damaged, e.g., by falling parts, you can download a repair kit for the BCB from the Internet (see chapter 11.2.2 "BCB repair with repair kit").

Use the bar code tape created with the repair kit only temporarily as an emergency solution.

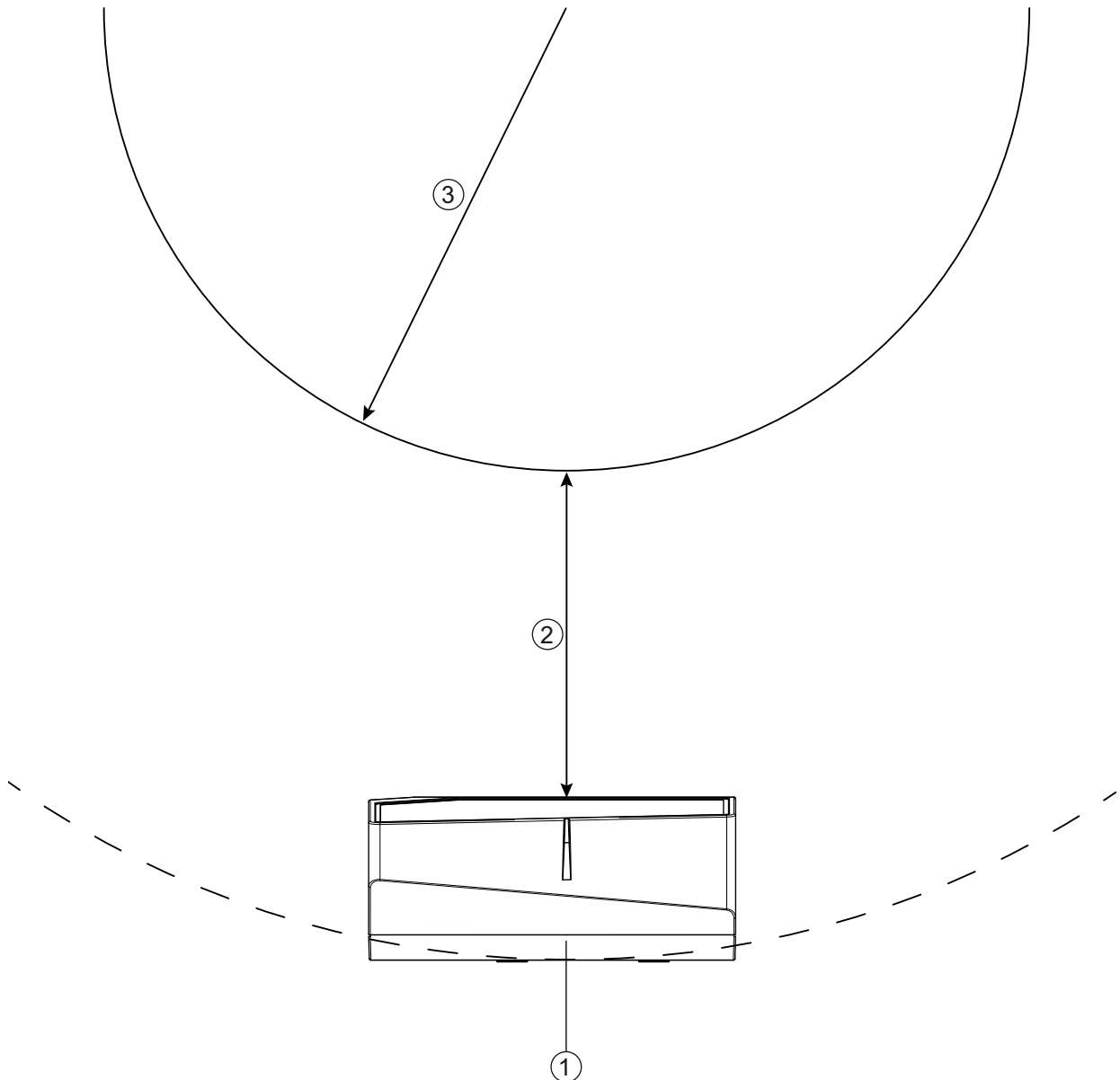
BCB mounting in horizontal curves

NOTICE

Limited absolute measurement accuracy and reproducibility!

↪ BCB mounting in curves decreases the absolute measurement accuracy of the BPS, since the distance between two bar codes is no longer exactly 40 mm or 30 mm.

↪ For horizontal curves, maintain a minimum bending radius of 300 mm (see figure 6.4).



- 1 BPS
- 2 Reading distance
- 3 Radius of the bar code tape, $R_{min} = 300 \text{ mm}$

Figure 6.4: Mounting the bar code tape for use in horizontal curves

BCB mounting in vertical curves

NOTICE

Limited absolute measurement accuracy and reproducibility!

↪ BCB mounting in curves decreases the absolute measurement accuracy of the BPS, since the distance between two bar codes is no longer exactly 40 mm or 30 mm.

↪ In areas where the BCB is fanned out around curves, limitations of the reproducibility must be expected.

- ↪ Only partially cut the BCB at the cut mark.
- ↪ Affix the BCB along the curve like a fan (see figure 6.5).
- ↪ Ensure that the BCB is affixed without mechanical tension.

NOTICE

No glossy gaps in the bar code tape!

- ↪ Ensure that there are matt, bright surfaces behind the fanning in the BCB curves.
Polished, reflective, and high-gloss surfaces in the scanning beam may impair the measurement quality of the BPS.

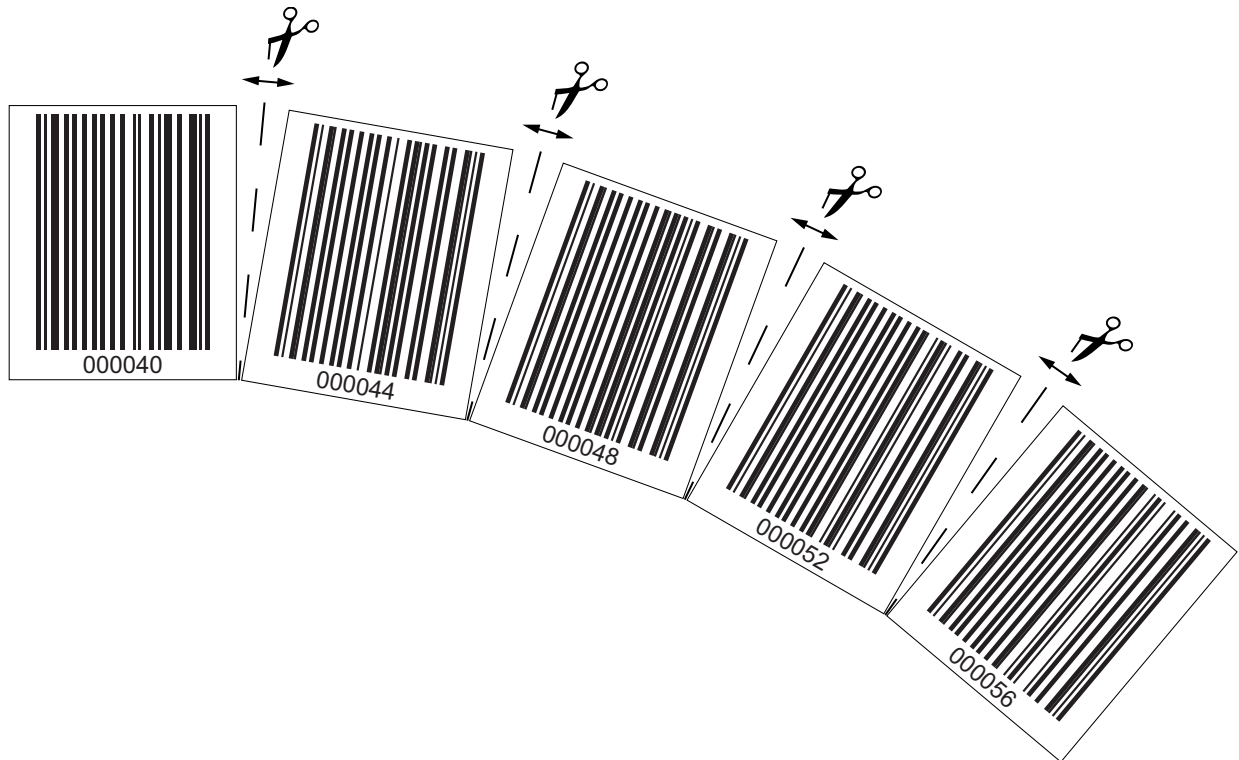
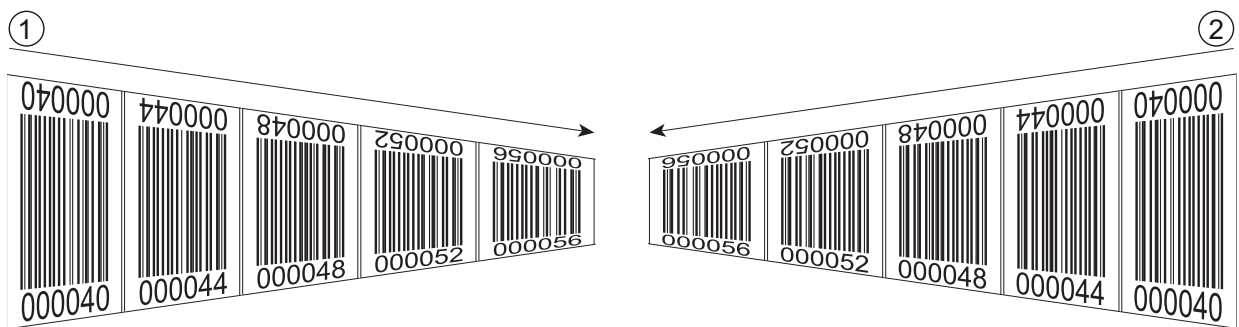


Figure 6.5: Preparing the bar code tape for use in vertical curves

Mounting twin tapes

If two bar code tapes with the same value range are used for positioning, e.g., for crane systems or elevators, the use of twin tapes is recommended (see chapter 3.4.4 "Twin tapes").

Twin tapes are provided with duplicate numbering. As a result, it is not necessary to affix the BCBs "upside down" in order to have the same values at the same position (see figure 6.6).



- 1 Twin bar code tape 1
- 2 Twin bar code tape 2

Figure 6.6: Mounting twin tapes

NOTICE

A twin tape always consists of two bar code tapes.

- ↳ When ordering twin tapes, two bar code tapes are always included with an order.
- ↳ Ensure that the BCB is affixed without tension.

The BCB is a plastic tape that can be stretched by strong mechanical tension. Excessive mechanical stretching results in lengthening of the tape and distortion of the position values.

Mounting two bar code tapes with the same value range

For crane systems or elevators, two bar code tapes with the same value range are used for positioning.

i If two bar code tapes with the same value range are needed, the use of twin tapes is recommended (see chapter 3.4.4 "Twin tapes").

If a twin tape is not used: To have the same values at the same position, one bar code tape must be affixed with numbers upside down while the other is affixed normally (see figure 6.7).

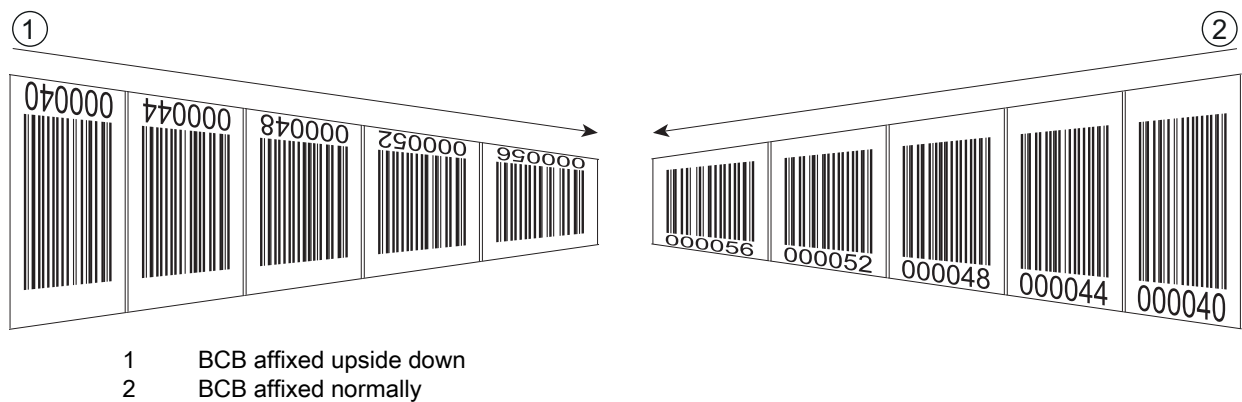


Figure 6.7: Affixing two bar code tapes with the same value range

6.2 Bar code Positioning System

The BPS can be mounted in the following ways:

- Mounting using a mounting device on the fastening grooves
 - BTU 0300M-W: Wall mounting
 - BT 56: Mounting on a rod
- Mounting using a mounting device on the M4 mounting threads on the rear of the device
 - BT 300 W: Mounting on a mounting bracket
 - BT 300-1: Mounting on a rod
- Mounting using four M4 mounting threads on the rear of the device

i If the BTU 0300M-W mounting device is used to mount the device, the new device is automatically aligned correctly should it be necessary to exchange a device.

6.2.1 Mounting instructions

NOTICE

Select the mounting location.

- ↳ Make certain that the required environmental conditions (humidity, temperature) are maintained.
- ↳ Make certain that the distance between BPS and bar code tape is sufficiently large.
The scanning beam of the BPS should cover three or more bar codes.
The distance between BPS and bar code tape must be in the working range of the reading field curve.
- ↳ Make certain that the exit window does not become soiled, e.g., by leaking liquids, abrasion from cardboard packaging or residues from packaging material.
- ↳ Mounting the BPS outdoors or with BPS with integrated heating:
Mount the BPS in a way which provides maximum thermal isolation, e.g., using rubber-bonded metal.
Mount the BPS so that it is protected from airflow, e.g., in a protective housing.
- ↳ Mounting the BPS in a protective housing:
When installing the BPS in a protective housing, ensure that the scanning beam can exit the protective housing without obstruction.
- ↳ Make certain that the scanning range determined from the scanning curve is adhered to at all locations where a position determination is to be made.
- ↳ Ensure that the scanning beam is always incident on the BCB when the system is moving.
For the position calculation, the scanning beam of the BPS must be incident on the BCB without interruption.
For the best functionality, the BPS must be guided parallel to the BCB. It is not permitted to move outside of the approved working range of the BPS (50 ... 170 mm) while the system is in motion.
- ↳ Make certain that there is only one control bar code (or marker label) in the scanning beam at a time.
The minimum distance between two control bar codes is determined by the distance between the BPS and bar code tape and the resulting length of the scanning beam.

NOTICE

For parallel mounting, maintain the minimum distance!

- ↳ Maintain the minimum distance of 300 mm if you mount two BPS next to or above one another.

NOTICE

Install the connection hood before mounting the BPS!

- ↳ Screw connection hood MS 307, MK 307 or KB 307 to the device housing with two M4 screws.
- ↳ Tighten the screws on the connection hood with a tightening torque of 1.4 Nm.

6.2.2 Orientation of the BPS to the bar code tape

The beam of the BPS must be oriented at an incline of 7° to the bar code tape (see figure 6.8). When positioning, make certain that the angle of radiation to the rear side of the housing is 90° and the reading distance to the bar code tape is maintained.

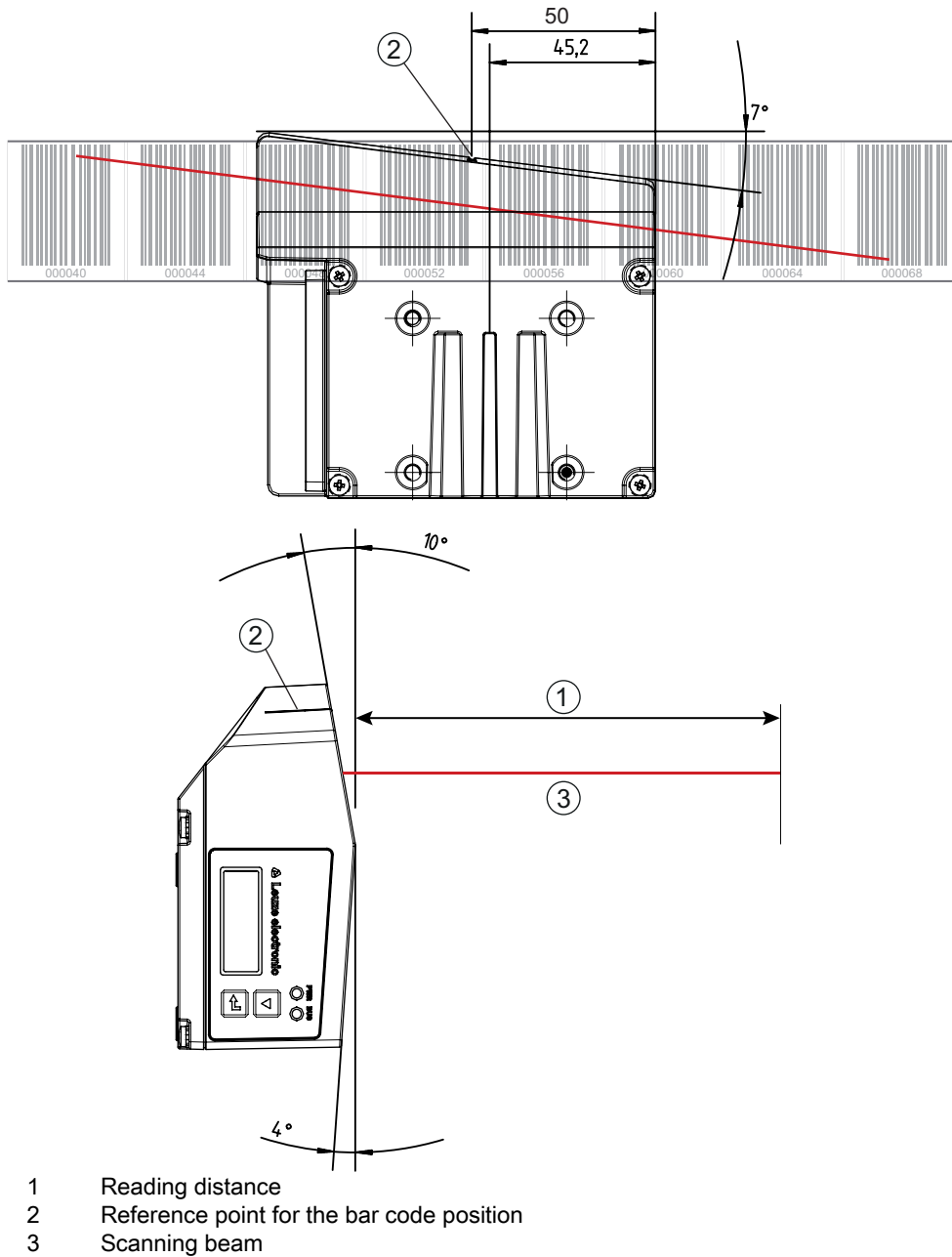
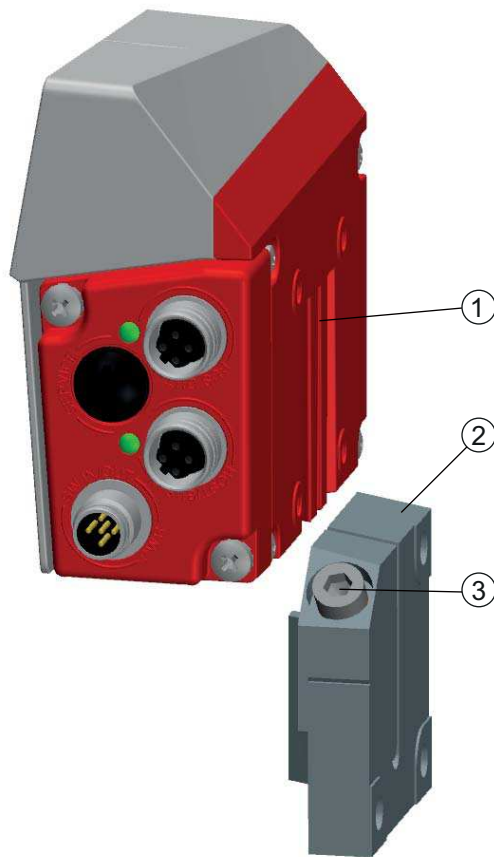


Figure 6.8: Beam exit

6.2.3 Mounting with the BTU 0300M-W mounting device

Mounting the BPS with a BTU 0300M-W mounting device is intended for wall mounting. For ordering information see chapter 14; for dimensioned drawing see figure 13.9.



- 1 Clamp profile
- 2 Clamping jaws
- 3 Screw terminal

Figure 6.9: Mounting the BPS with the BTU 0300M-W mounting device

- ↖ Mount the BTU 0300M-W on the system side with M6 fastening screws (not included in delivery contents).
- ↖ Mount the BPS with the dovetail fastening grooves on the clamping jaws of the BTU 0300M-W with limit stop at end.
- ↖ Secure the BPS with the M6 screw terminal.
Maximum tightening torque for the M6 screw terminal: 8 Nm

6.2.4 Mounting with the BT 300 W mounting bracket

Mounting of the BPS with a BT 300 W mounting bracket is intended for wall mounting. For ordering information see chapter 14; for dimensioned drawing see figure 13.10.

- ↖ Mount the BT 0300 W mounting bracket on the system side with M6 fastening screws (included in delivery contents).
- ↖ Mount the BPS on the mounting bracket with M4 fastening screws (included in delivery contents).
Max. tightening torque of the M4 fastening screws: 2 Nm

6.2.5 Mounting with BT 56 mounting device

Mounting of the BPS with a BT 56 mounting device is intended for rod mounting. For ordering information see chapter 14; for dimensioned drawing see figure 13.11.

- ↖ Mount the BT 56 on the rod with the clamp profile (system-side).
- ↖ Mount the BPS with its fastening grooves on the clamping jaws of the BT 56 with limit stop at end.
- ↖ Secure the BPS with the M6 screw terminal.
Maximum tightening torque for the M6 screw terminal: 8 Nm

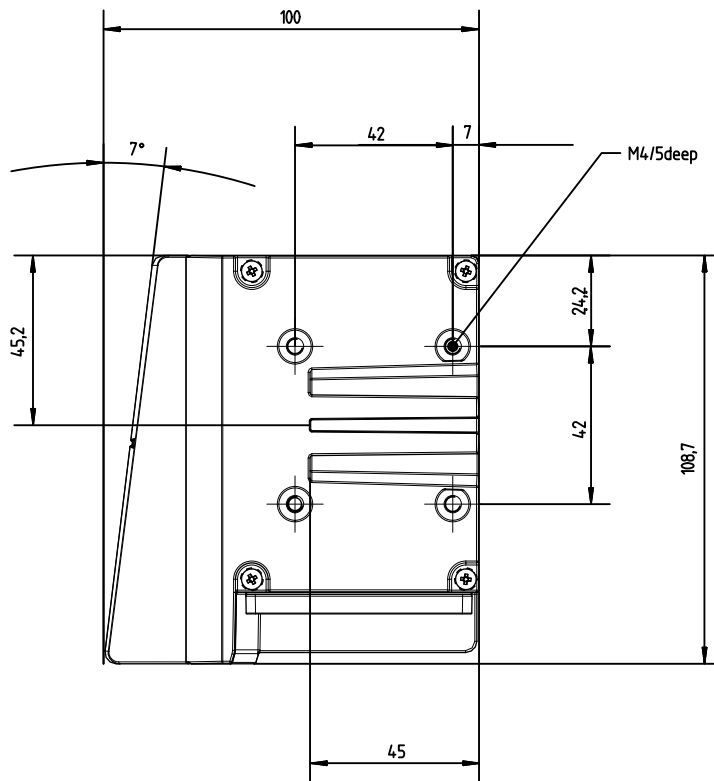
6.2.6 Mounting with BT 300-1 mounting device

Mounting of the BPS with a BT 300-1 mounting device is intended for rod mounting. For ordering information see chapter 14; for dimensioned drawing see figure 13.12.

- ↪ Mount the BT 300-1 mounting device with the clamp profile on the rod (system-side).
- ↪ Mount the BPS on the mounting bracket of the BT 300-1 with M4 fastening screws (included in delivery contents).

Max. tightening torque of the M4 fastening screws: 2 Nm

6.2.7 BPS mounting with M4 fastening screws



all dimensions in mm

Figure 6.10: Dimensioned drawing of rear of BPS

- ↪ Mount the BPS on the system with M4 fastening screws (not included in delivery contents).

Max. tightening torque of the fastening screws: 2 Nm

7 Electrical connection

CAUTION

Safety notices!

- ↳ Before connecting the device, be sure that the supply voltage agrees with the value printed on the name plate.
- ↳ Only allow competent persons to perform the electrical connection.
- ↳ Ensure that the functional earth (FE) is connected correctly.
Unimpaired operation is only guaranteed when the functional earth is connected properly.
- ↳ If faults cannot be rectified, take the device out of operation. Protect the device from accidentally being started.

NOTICE

UL applications

- ↳ For UL applications, use is only permitted in class 2 circuits in accordance with the NEC (National Electric Code).

NOTICE

Protective Extra Low Voltage (PELV)

- ↳ The BPS is designed in accordance with safety class III for supply with PELV (protective extra-low voltage).

NOTICE

Connection hood and degree of protection IP 65

- ↳ Before connecting, mount the connection hood on the BPS device housing.
- ↳ To ensure degree of protection IP 65 is fulfilled, the screws of the connection hood are tightened with a tightening torque of 1.4 Nm for connecting to the BPS.
- ↳ Degree of protection IP 65 is not fulfilled until connectors or cable bushings are screwed on and caps are installed.



For all connections (connection cable, interconnection cable, etc.), use only the cables listed in the accessories (see chapter 14).

7.1 External parameter memory in the connection hood

To enable simple exchange of the BPS, the integrated parameter memory of the MS 307 and MK 307 connection hoods store a copy of the current parameter set.

Also located in the MS 307 and MK 307 are switches S1 and S2.

- Slide switch S1 is used to toggle the encoding of the output measurement value between *Gray* and *binary*.
- Rotary switch S2 is used to set the resolution of the position value (in mm) or a velocity monitoring function.

NOTICE

No parameter memory and no configuration switches in connection hood KB 307!

- ↳ No parameter memory is integrated in connection hood KB 307.
- ↳ Connection hood KB 307 does not include any switches for configuring the BPS.

7.2 MS 307 connection hood with connectors

The MS 307 connection hood features two M12 connector plugs and a Mini-B type USB socket as a service interface.

The integrated parameter memory for the simple replacement of the BPS is located in the MS 307.

NOTICE

Shielding connection and functional earth connection!

- ↪ The shielding connection is done via the M12 connector housing.
- ↪ Ensure that the functional earth (FE) is connected correctly. Unimpaired operation is only guaranteed when the functional earth is connected properly. All electrical disturbances (EMC couplings) are discharged via the functional earth connection.

↪ Connect connection PWR / SW IN/OUT to the supply voltage or the switching inputs/outputs.

↪ Connect connection SSI (HOST / BUS IN) to your SSI interface.

7.3 MK 307 connection hood with spring-cage terminals

With the MK 307 connection hood, the BPS is connected directly and with no additional plug.

- The MK 307 features cable bushings in which the shielding connection for the interface cable is also located.
- The integrated parameter memory for the simple replacement of the BPS is located in the MK 307.
- A Mini-B type USB socket is used for service purposes.

NOTICE

Cable fabrication!

- ↪ We recommend against using wire-end sleeves.

NOTICE

Functional earth connection!

- ↪ Ensure that the functional earth (FE) is connected correctly. Unimpaired operation is only guaranteed when the functional earth is connected properly. All electrical disturbances (EMC couplings) are discharged via the functional earth connection.

↪ Connect connection PWR / SW IN/OUT to the supply voltage or the switching inputs/outputs.

↪ Connect connection SSI (HOST / BUS IN) to your SSI interface.

7.4 Connection hood KB 307 with cable

Connection hood KB 307 features an SSI connection cable and a Mini-B type USB socket as service interface.

NOTICE

No integrated parameter memory!

- ↪ No parameter memory is integrated in connection hood KB 307.

↪ Remove the system plug (JST) at the end of the cable.

↪ Connect the connection cable to your SSI interface.

7.5 Pin assignment

7.5.1 PWR / SW IN/OUT (Power and switching input/output)

5-pin, M12 plug (A-coded) or terminal block for connecting to PWR / SW IN/OUT.

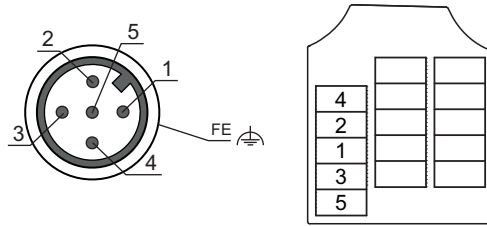


Figure 7.1: PWR / SW IN/OUT connection

Table 7.1: PWR / SW IN/OUT pin assignment

Pin/terminal	Designation	Assignment
1	VIN	+18 ... +30 VDC supply voltage
2	SWIO1	Sw. input/output 1 (configurable)
3	GNDIN	Negative supply voltage (0 VDC)
4	SWIO2	Sw. input/output 2 (configurable)
5	FE	Functional earth
Thread (M12 plug) Cable gland	Functional earth	Connection cable shield. The shield of the connection cable is on the thread of the M12 plug or on the screw fitting of the cable bushing. The thread or the screw fitting is part of the metallic housing. The housing is at the potential of the functional earth via pin 5.

Connection cables: see table 14.3

NOTICE
Attention!
↪ For UL applications, use is only permitted in class 2 circuits in accordance with the NEC (National Electric Code).

Switching input/output

The BPS is equipped with two, freely programmable, optically decoupled switching inputs/outputs, SWIO1 and SWIO2.

- The switching inputs can be used to activate various internal functions of the BPS (e.g., Measurement Stop/Start, Teach Preset, Reset Preset).
- The switching outputs can be used to signal the state of the BPS and to implement external functions independent of the superior control (e.g. position value/velocity value invalid, position and velocity limit value exceeded, device error).
- The control can use switching inputs/outputs as digital I/Os.
If no internal BPS function is connected to the switching inputs/outputs, the ports can be addressed as two inputs, two outputs or as one input and one output of a digital I/O component.



The function as input or output is set via the webConfig configuration tool (**CONFIGURATION > DEVICE > Switching inputs/outputs**, see chapter 9.3.2).

NOTICE
Maximum input current
↪ The input current of the respective switching input is maximum 8 mA.

NOTICE

Maximum loading of the switching outputs

- ⚡ Do not load the respective switching output of the BPS with more than 60 mA at + 18 ... 30 VDC in normal operation.
- ⚡ Each configured switching output is short-circuit proof.



The two switching inputs/outputs, SWIO1 and SWIO2, are configured as follows by default:

Switching output SWIO1: Position value invalid

Switching input SWIO2: Teach Preset

NOTICE

SWIO1 and SWIO2 as switching output

- ⚡ At the outputs of the BPS (SWIO1 and SWIO2), no switching outputs may be connected from external sensors/devices.

The switching output of the BPS may otherwise malfunction.

7.5.2 SSI (HOST / BUS IN)

5-pin, M12 plug (B-coded) or terminal block for connecting to an SSI interface.

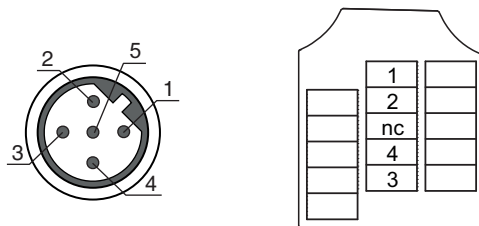


Figure 7.2: SSI connection

Table 7.2: SSI (HOST / BUS IN) pin assignment

Pin/terminal	Designation	Assignment
1	DATA+	+ Data line SSI (Output electrically isolated)
2	DATA-	- Data line SSI (Output electrically isolated)
3	CLK+	+ Clock line SSI (Input electrically isolated)
4	CLK-	- Clock line SSI (Input electrically isolated)
5	FE	Functional earth
Thread (M12 plug) Cable gland	Functional earth (Housing)	Connection cable shield. The shield of the connection cable is on the thread of the M12 plug or on the screw fitting of the cable bushing. The thread or the screw fitting is part of the metallic housing. The housing is at the potential of the functional earth via pin 5.

NOTICE
Use ready-made connection cables!
 ↪ If possible, use the ready-made cables from Leuze electronic; see table 14.4.

NOTICE
Data cables for the SSI interface!
 ↪ Use only shielded and twisted-pair cables as data line for the SSI interface.
 Twisting: pin 1 with 2, pin 3 with 4
 The shield must be connected at both ends.

7.5.3 SSI connection cable KB 307

Table 7.3: SSI connection cable KB 307

Pin	Designation	Assignment
WH	FE	Functional earth
WH-BK	GNDIN	Negative supply voltage (0 VDC)
BK	VIN	+18 ... +30 VDC supply voltage
GY	SWIO1	Sw. input/output 1 (configurable)
WH-GN	SWIO2	Sw. input/output 2 (configurable)
WH-YE	CLK-	- Clock line SSI (Input electrically isolated)
WH-RD	DATA-	- Data line SSI (Output electrically isolated)
YE	CLK+	+ Clock line SSI (Input electrically isolated)
RD	DATA+	+ Data line SSI (Output electrically isolated)
VT	reserved	---
WH-BN	reserved	---
BN	reserved	---
WH-OG	reserved	---
OG	reserved	---
GN	reserved	---
BU	reserved	---

7.5.4 Service USB

NOTICE
Connection to PC with standard USB cable!
 ↪ The service USB interface of the BPS is connected to the USB interface on the PC with a standard USB cable (plug combination - Mini-B type / Type A).

5-pin, Mini-B plug for connecting to the service USB.

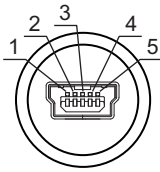


Figure 7.3: Service USB connection

Table 7.4: Service USB pin assignment

Pin	Designation	Assignment
1	VB	Sense input
2	D-	Data -
3	D+	Data +
4	ID	not connected
5	GND	Ground

NOTICE
Use ready-made connection cables!
 ↪ If possible, use the ready-made cables from Leuze electronic; see table 14.6.

NOTICE
Self-configured cables!
 ↪ Ensure adequate shielding.
 The maximum cable length of 3 m must not be exceeded.

7.6 Cable lengths and shielding

Observe the maximum cable lengths and the shielding types:

Connection	Interface	Max. cable length	Shielding
BPS service	USB	3 m	Shielding absolutely necessary acc. to USB specifications
BPS power supply unit		30 m	Not necessary

Cable length according to the data rate

NOTICE
Data cables for the SSI interface!
 ↪ Use only shielded and twisted-pair cables as data line for the SSI interface.
 Twisting: pin 1 with 2, pin 3 with 4
 The shield must be connected at both ends.
 ↪ Do not lay the data line parallel to power cables.

The maximum possible cable length of the SSI connection is dependent on the used cable and the data rate.

Table 7.5: SSI cable lengths according to the data rate

Data rate [kbit/s]	80	100	200	300	400	500	600
Maximum cable length [m]	500	400	200	100	50	25	18

8 Basic configuration

The parameters of the SSI interface as well as the switching inputs/outputs can be configured via the webConfig tool (see chapter 9) or via connection hood MS 307 or MK 307.

Devices with connection hood KB 307 can only be configured via the webConfig tool.

8.1 Configuring the SSI interface

8.1.1 Principal functionality of the SSI interface

Data communication of the SSI interface is based on differential transmission as is used for RS 422 interfaces. The position value is transmitted in sync with a cycle (CLOCK) specified by the control, starting with the most significant bit (MSB); see figure 8.1.

- In the quiescent state, both the clock line as well as the data line are at HIGH level. On the first HIGH-LOW edge (1), the data of the internal register are stored. This ensures that the data are not changed during serial transfer of the value.
- With the subsequent change of the clock signal from LOW to HIGH level (2), transfer of the position value begins with the most significant bit (MSB).
 - With each subsequent change of the clock signal from LOW to HIGH level, the next least-significant bit is transmitted on the data line.
 - After the least significant bit (LSB) has been output, the clock signal switches from LOW to HIGH for one last time and the data line switches to LOW level (end of transmission).
- A monoflop retriggered by the clock signal determines how long before the SSI interface can be called for the next transmission. This yields the minimum pause time between two successive clock cycles (t_m)

If time t_m has elapsed, the data line is reset to bias level (HIGH) (3). This signals the fully completed data exchange and renewed transmission-ready state.

- $t_m = 20 \mu\text{s}$ with master clock frequency 80 kHz - 600 kHz
- $t_m = 30 \mu\text{s}$ with master clock frequency 50 kHz - 79 kHz
- The update rate (50 μs to 2 ms) of the measurement values at the SSI interface can be configured via the webConfig tool. Factory setting: 2 ms. The update rate describes how quickly the data are replaced on the SSI interface by current data. The measurement value is updated independent of the clock frequency.

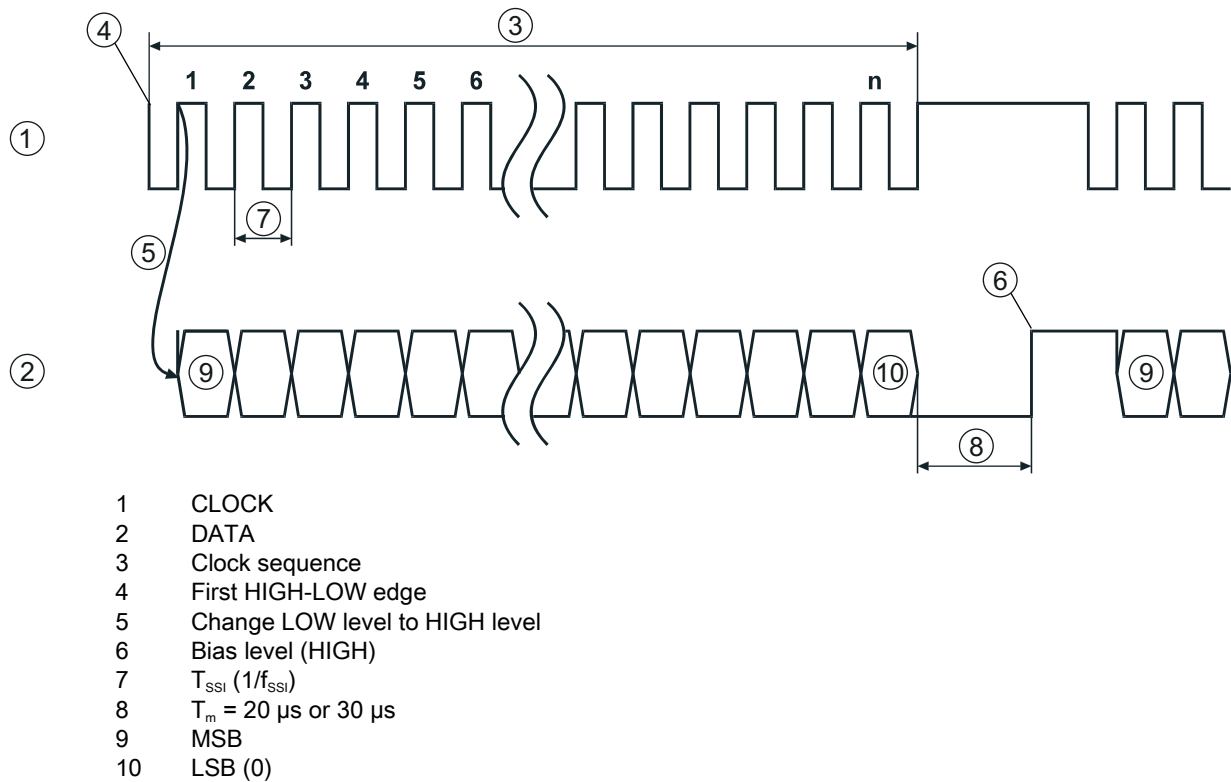


Figure 8.1: SSI data transmission sequence diagram



If the off-cycle of data transmission is interrupted for longer than $t_m = 20 \mu s$ or $t_m = 30 \mu s$, a completely new transmission cycle starts on the next cycle.

If a new transmission cycle is started before time t_m elapses, the previous value is output again.

NOTICE

Factory setting: only positive position and velocity values with SSI!

In the factory setting, the SSI interface can only represent positive position and velocity values.

If negative output values are ascertained due to the orientation of the BPS to the BCB or the counting direction, the value 0 is output at the SSI interface!

In the event of a number overflow, all data bits are set to 1.

Factory settings of the SSI interface parameters

- Data encoding of the measurement values: *Gray*
- Sign: *binary representation*
- Transmission mode: 24 measurement bits + 1 error bit
- Resolution position value: 1 mm
- Error bit: measurement error, LSB, 1 = active
- Value of the error bit:
The error bit is not included in the Gray encoding of the measurement value.
The error bit is 1 = active
- Update rate: 2 ms
- SSI master clock frequency: 80 kHz - 600 kHz

8.1.2 Setting the configuration of the SSI interface

↵ Set the parameters of the SSI interface via the webConfig tool or via connection hood MS 307 or MK 307.

- Setting via the webConfig tool:
CONFIGURATION > OUTPUT; see chapter 9.3.2 "CONFIGURATION function"
- Setting via connection hood MS 307/MK 307:
see chapter 8.6 "Configuration via the switches of the connection hood"



Devices with connection hood KB 307 can only be configured via the webConfig tool.

8.2 Configuring the switching inputs/outputs

↵ Set the configuration of the switching inputs/outputs via the webConfig tool or via connection hood MS 307 or MK 307.

- Setting via the webConfig tool:
CONFIGURATION > DEVICE; see chapter 9.3.2 "CONFIGURATION function"
- Setting via connection hood MS 307/MK 307:
see chapter 8.6 "Configuration via the switches of the connection hood"



Devices with connection hood KB 307 can only be configured via the webConfig tool.

8.3 Configuring the resolution for the position value

↵ Set the parameters for the resolution during position measurement via the webConfig tool or via connection hood MS 307 or MK 307.

- Setting via the webConfig tool:
CONFIGURATION > OUTPUT; see chapter 9.3.2 "CONFIGURATION function"
- Setting via connection hood MS 307/MK 307:
see chapter 8.6 "Configuration via the switches of the connection hood"



Devices with connection hood KB 307 can only be configured via the webConfig tool.

8.4 Configuring velocity monitoring with switching output

↵ Set the parameters for velocity monitoring via the webConfig tool or via connection hood MS 307 or MK 307.

- Setting via the webConfig tool:
 - *Switching output* function: **CONFIGURATION > DEVICE > Switching inputs/outputs**; see chapter 9.3.2 "CONFIGURATION function"
 - Velocity limit values: **CONFIGURATION > DATA PROCESSING > Velocity > Monitoring**; see chapter 9.3.2 "CONFIGURATION function"
- Setting via connection hood MS 307/MK 307:
see chapter 8.6 "Configuration via the switches of the connection hood"



Devices with connection hood KB 307 can only be configured via the webConfig tool.

8.5 Setting tape selection via the webConfig tool

↪ In the webConfig tool (**CONFIGURATION > MEASUREMENT DATA > Bar code tape**), set the *Tape selection* parameter according to the used bar code tape grid; see chapter 9.3.2 "CONFIGURATION function".

- 30 mm grid
- 40 mm grid

8.6 Configuration via the switches of the connection hood

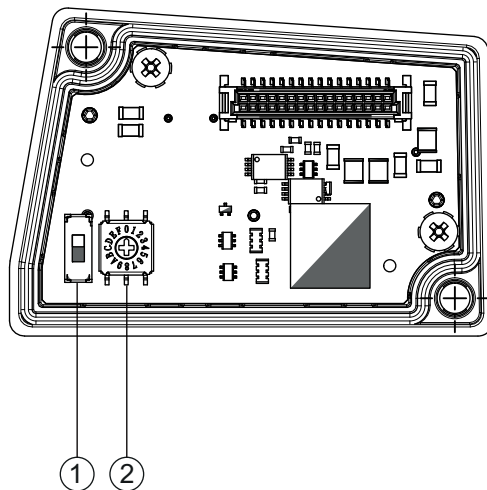
The following settings can be configured via the operational controls of connection hoods MS 307 and MK 307:

- Resolution of the position value
- Data encoding of the measurement values: *Gray* or *binary*
- Velocity monitoring via switching output (SWIO1)



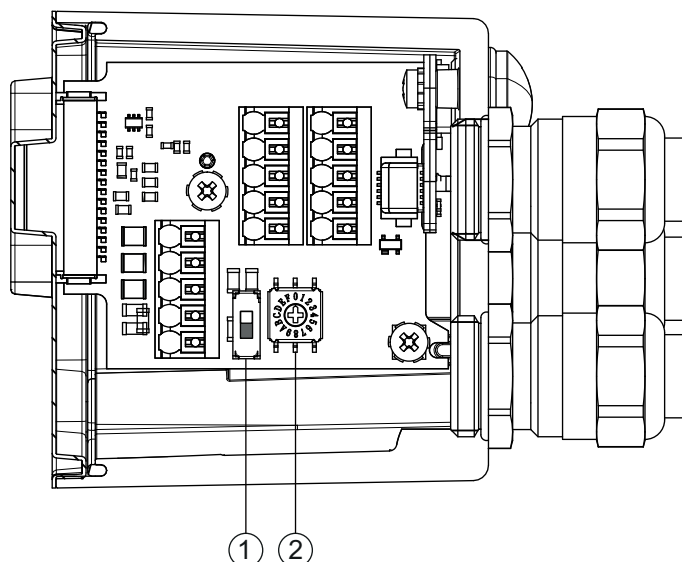
The settings made via the operational controls of the connection hood can alternatively be configured via the webConfig tool; see chapter 9.3.2. To do this, rotary switch S2 must be set to switch position 0.

If rotary switch S2 is set to switch position 0, slide switch S1 is not evaluated.



- 1 Slide switch S1
Factory setting: Gray encoding
- 2 Hexadecimal rotary switch S2
Factory setting: 0, i.e., configuration via the webConfig tool

Figure 8.2: Operational controls of connection hood MS 307



- 1 Slide switch S1
Factory setting: Gray encoding
- 2 Hexadecimal rotary switch S2
Factory setting: switch position 0, i.e., configuration via webConfig tool

Figure 8.3: Operational controls of connection hood MK 307

Slide switch S1

Change the measurement value encoding

- S1 up: Gray encoding
- S1 down: binary encoding

Rotary switch S2

NOTICE

Hexadecimal rotary switch S2 for setting the resolution and velocity monitoring!

↪ Set the resolution of the position measurement and velocity monitoring via rotary switch S2.

Table 8.1: Configuration via rotary switch S2

Switch position	Position resolution [mm]	Maximum velocity [m/s]	Level of the switching output	Velocity monitoring
0	Configuration via webConfig tool			
1	0.01	webConfig	webConfig	webConfig
2	0.1	webConfig	webConfig	webConfig
3	1	webConfig	webConfig	webConfig
4	10	webConfig	webConfig	webConfig
5	webConfig	webConfig	webConfig	webConfig
6	webConfig	webConfig	webConfig	webConfig

Switch position	Position resolution [mm]	Maximum velocity [m/s]	Level of the switching output	Velocity monitoring
7	webConfig	0.7	<ul style="list-style-type: none"> • HIGH Current velocity below maximum velocity • LOW Current velocity above maximum velocity 	Activated
8	webConfig	2		Activated
9	webConfig	3		Activated
A	webConfig	4		Activated
F	Factory setting of the configuration parameters Notice: Switch S1 must be set to switch position Gray encoding.			
webConfig: The parameter value set via the webConfig tool is used.				



All parameters that are not influenced by the position of the switch are configured via the webConfig tool; see chapter 9.

In rotary switch positions 7, 8, 9 or A, the webConfig tool can be used, e.g., to change the resolution of the position measurement or invert the mode of the switching inputs/outputs.

NOTICE
Rotary switch S2 on 0 if configuring with the webConfig tool!
To configure the BPS with the webConfig tool, rotary switch S2 on connection hood MK 307 or MS 307 must be set to switch position 0.

8.7 Setting configuration parameters to factory settings

Proceed as follows:

- Set slide switch S1 to switch position Gray encoding.
- Set rotary switch S2 to switch position F.
- Restart the BPS.

The current parameter set of the BPS is overwritten with the parameter set containing the factory settings.

8.8 Key factory settings of the BPS

Table 8.2: Factory settings on delivery of the BPS

Parameters	Factory settings	Description
Measurement value encoding	Gray	Data encoding of the measurement values
Tape selection	BCB with 40 mm grid	Changeover between BCB with 30 mm grid and BCB with 40 mm grid
Position measurement	Integration depth: 8	Number of successive measurements that the BPS uses for position determination.
	Resolution: 1 mm	Resolution of the position value in mm
Master clock frequency	80 kHz - 600 kHz	Request frequency of the control (master)
Update rate	2 ms	Update rate of the measurement values on the SSI interface

Parameters	Factory settings	Description
SSI interface		
Transmission mode	24 measurement bits + 1 error bit	
Position resolution	1 mm	Resolution of the position value in mm
Error bit	Measurement error LSB 1 = active	Value of the error bit: <ul style="list-style-type: none"> • The error bit is not included in the Gray encoding of the measurement value. • The error bit is 1 = active
Sw. inputs/outputs		
IO1	HIGH Function: Position value invalid	Switching output - level controlled If a valid position value cannot be ascertained, the output is set
IO2	HIGH Function: Preset teach	Switching input - edge-triggered Transition 0 → 1: Read in preset value

9 Leuze electronic webConfig tool – Extended configuration

With the Leuze electronic webConfig tool, an operating-system independent, web-technology based, graphical user interface is available for configuring the BPS.

The webConfig tool can be run on any Internet-ready PC. The webConfig tool uses HTTP as communication protocol and the client-side restriction to standard technologies (HTML, JavaScript and AJAX) that are supported by modern browsers.



The webConfig tool is offered in the following languages:

German, English, French, Italian, Spanish

9.1 Install the software

In order for the BPS to be automatically detected by the connected PC, the USB driver must be installed once on your PC. Administrator rights are required for driver installation.



If a USB driver for the webConfig tool is already installed on your computer, the USB driver does not need to be installed again.

9.1.1 System requirements



Regularly update the operating system and the Internet browser.

Install the current Windows Service Packs.

Table 9.1: webConfig system requirements

Operating system	Windows XP (Home Edition, Professional) Windows Vista Windows 7 Windows 8
Computer	PC with USB interface version 1.1 or higher
Graphics card	min. 1024 x 768 pixels or higher resolution
Required disk space for USB driver	10 MB
Internet browser	Internet Explorer version 8.0 or higher Firefox version 4.0 or higher

9.1.2 Install USB driver

Start your PC with administrator privileges and log on.

Download the setup program from the Internet:

www.leuze.com > Products > Measuring Sensors > Sensors for Positioning > BPS 300i > (Name of the BPS) > Tab Downloads > Software/driver.

Start the setup program and follow the instructions.



Alternatively, you can manually install the **LEO_RNDIS.inf** USB driver.

Contact your network administrator if the installation fails.

9.2 Start webConfig tool

Prerequisite: The Leuze electronic USB driver for the webConfig tool is installed on the PC.

↪ Connect the operating voltage to the BPS.

↪ Connect the SERVICE USB interface of the BPS to the PC.

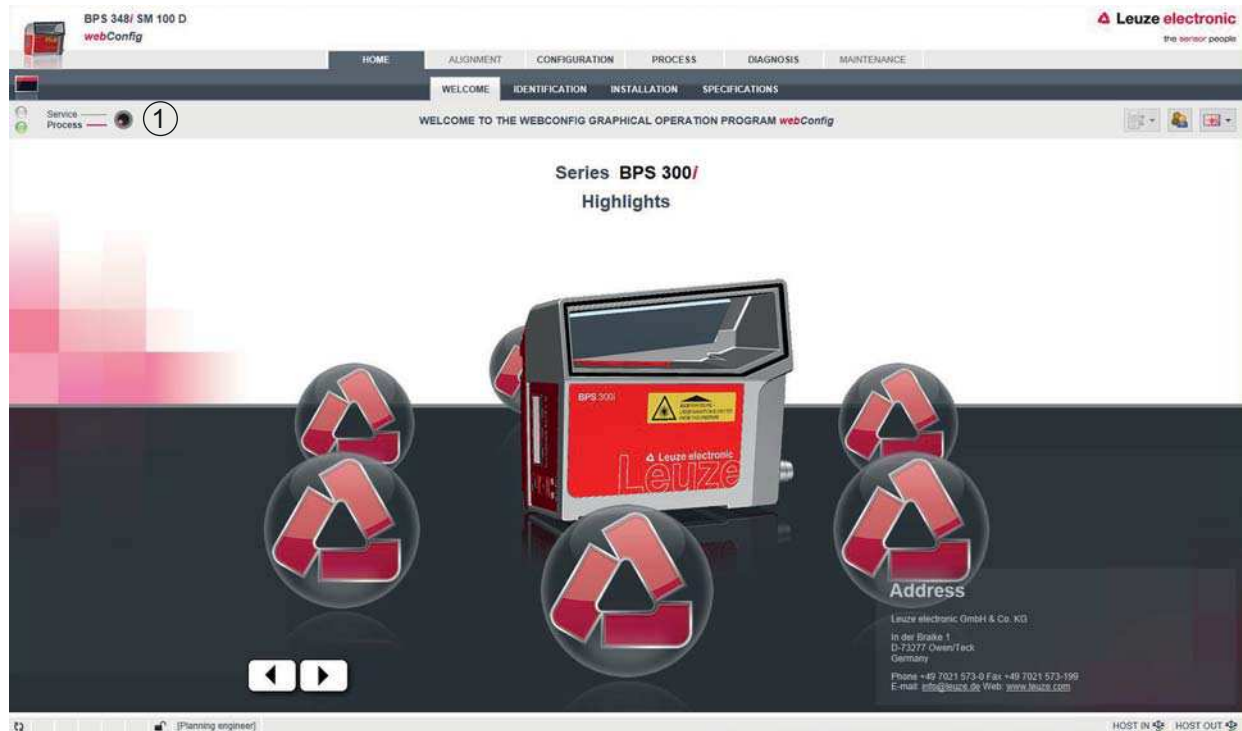
The connection to the SERVICE USB interface of the BPS is established via the PC-side USB interface.

Use a standard USB cable with one Type A plug and one Mini-B type plug.

↪ Start the webConfig tool using your PC's Internet browser with IP address **192.168.61.100**

This is the default Leuze electronic service address for communication with bar code positioning systems of the BPS 300i series.

The webConfig start page appears on your PC.



1 Changing the operating mode (*Process - Service*) (upper left)

Figure 9.1: The start page of the webConfig tool

The user interface of the webConfig tool is largely self-explanatory.



The webConfig tool is completely contained in the firmware of the BPS.

The pages and functions of the webConfig tool may appear and be displayed differently depending on the firmware version.

Clearing browser history

The cache of the Internet browser is to be cleared if different device types or devices with different firmware were connected to the webConfig tool.

↪ Delete cookies and temporary Internet and website data from the browser cache before starting the webConfig tool.

Example for Internet Explorer 10:

Tools > Delete browsing history > [Delete]

Note limit of Firefox sessions for version 17.0 and higher

If the limited number of Firefox sessions is exceeded, it may no longer be possible to address the BPS via the webConfig tool.

↪ Do **not** use the refresh functions of the Internet browser:

[Shift] [F5] or [Shift] + mouse click

9.3 Short description of the webConfig tool

9.3.1 Overview

Operating modes

For configurations with the webConfig tool, you can switch between the following operating modes:

- *Process*
The BPS is connected to the control.
 - The process communication to the control is activated.
 - The switching inputs/outputs are activated.
 - The configuration cannot be changed.
 - *PROCESS* function available.
 - *ALIGNMENT* function not available.
- *Service*
 - The process communication to the control is interrupted.
 - The switching inputs/outputs are deactivated.
 - The configuration can be changed.
 - *PROCESS* function not available.
 - *ALIGNMENT* function available.

Functions

In the *Process* operating mode, the webConfig tool has the following main menus and functions:

- *HOME*
Information on the connected BPS as well as on installation.
This information corresponds to the information in the current technical description.
- *CONFIGURATION* (see chapter 9.3.2)
Information on the current BPS configuration – no change to the configuration:
 - Display of the interface parameters
 - Display of the output modules (value formatting)
 - Selection of the used bar code tape (30 mm grid or 40 mm grid)
 - Display of the tape value correction (deviation of the BCB from scaling)
 - Display of the device components (switching inputs/outputs, display)
 - Data processing (position / velocity detection or monitoring, data preparation)
 - Display of the warning threshold and the error threshold for the read quality
- *PROCESS*
Check and save the current read data in process mode (see chapter 9.3.4).
 - Tabular display of the following values:
Scan number, position, velocity, read quality, distance from BCB, info on the control label

In the *Service* operating mode, the webConfig tool also has the following main menus and functions:

- *CONFIGURATION* (see chapter 9.3.2)
 - Configuration of the interface parameters
 - Configuration of the output modules (value formatting)
 - Configuration of device components (switching inputs/outputs, display)
 - Selection of the used bar code tape
 - Configuration of the data processing (position / velocity detection or monitoring, data preparation)
 - Configuration of the warning threshold and the error threshold for the read quality
- *ALIGNMENT* (see chapter 9.3.3)
 - Display of the following values:
Scan number, position, velocity, quality, distance, number of labels in the scanning beam
 - Graphical displays of the following values:
Position, velocity, quality
- *DIAGNOSIS* (see chapter 9.3.5)
 - Event logging of warnings and errors.
- *MAINTENANCE* (see chapter 9.3.6)

- Firmware update
- User management
- Backup/Restore

9.3.2 CONFIGURATION function

NOTICE

Rotary switch S2 of MS 307 or MK 307 to 0 if configuring with the webConfig tool!

↳ To configure with the webConfig tool, set rotary switch S2 on connection hood MS 307 or MK 307 to switch position 0, see chapter 8.1.

NOTICE

Configuration changes only in the *Service* operating mode!

↳ Changes made using the *CONFIGURATION* function can only be performed in the *Service* operating mode.

Overview of the webConfig configuration functions

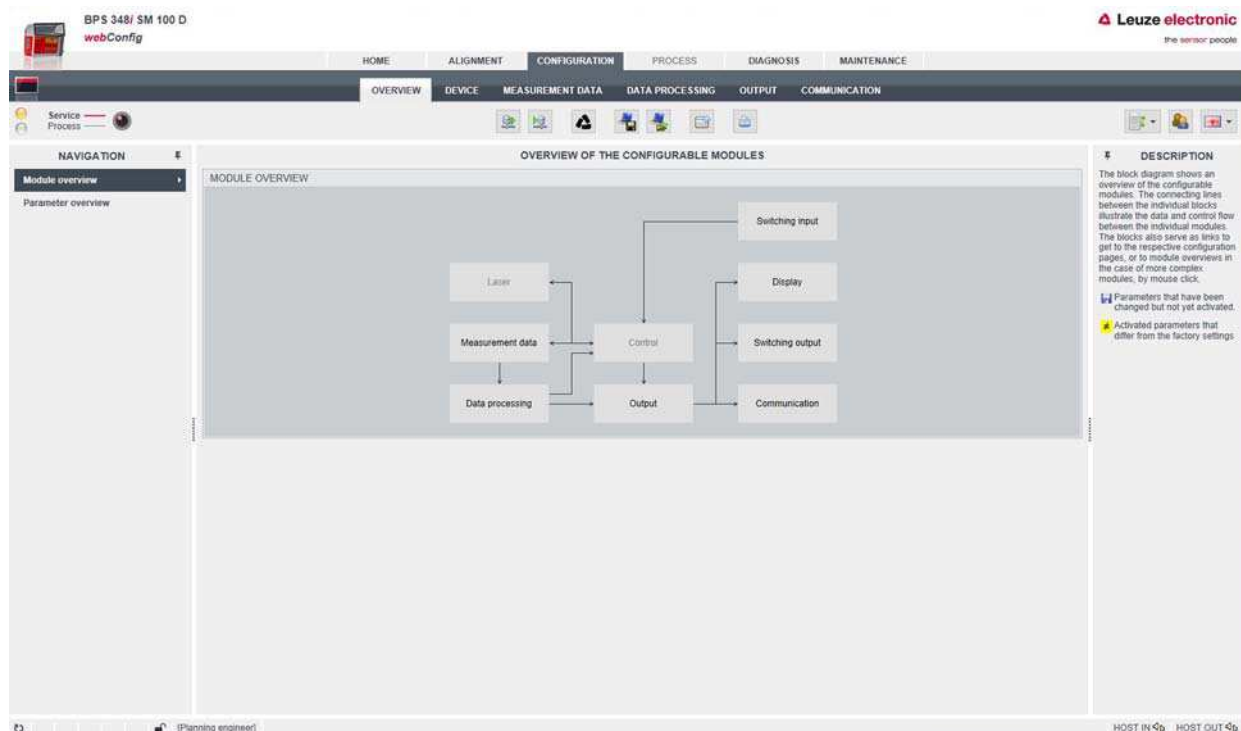


Figure 9.2: CONFIGURATION webConfig function

Configuration of the SSI interface (OUTPUT tab)

The SSI parameters and the formatting of the SSI host interface are configured via the *OUTPUT > HOST formatting* function.

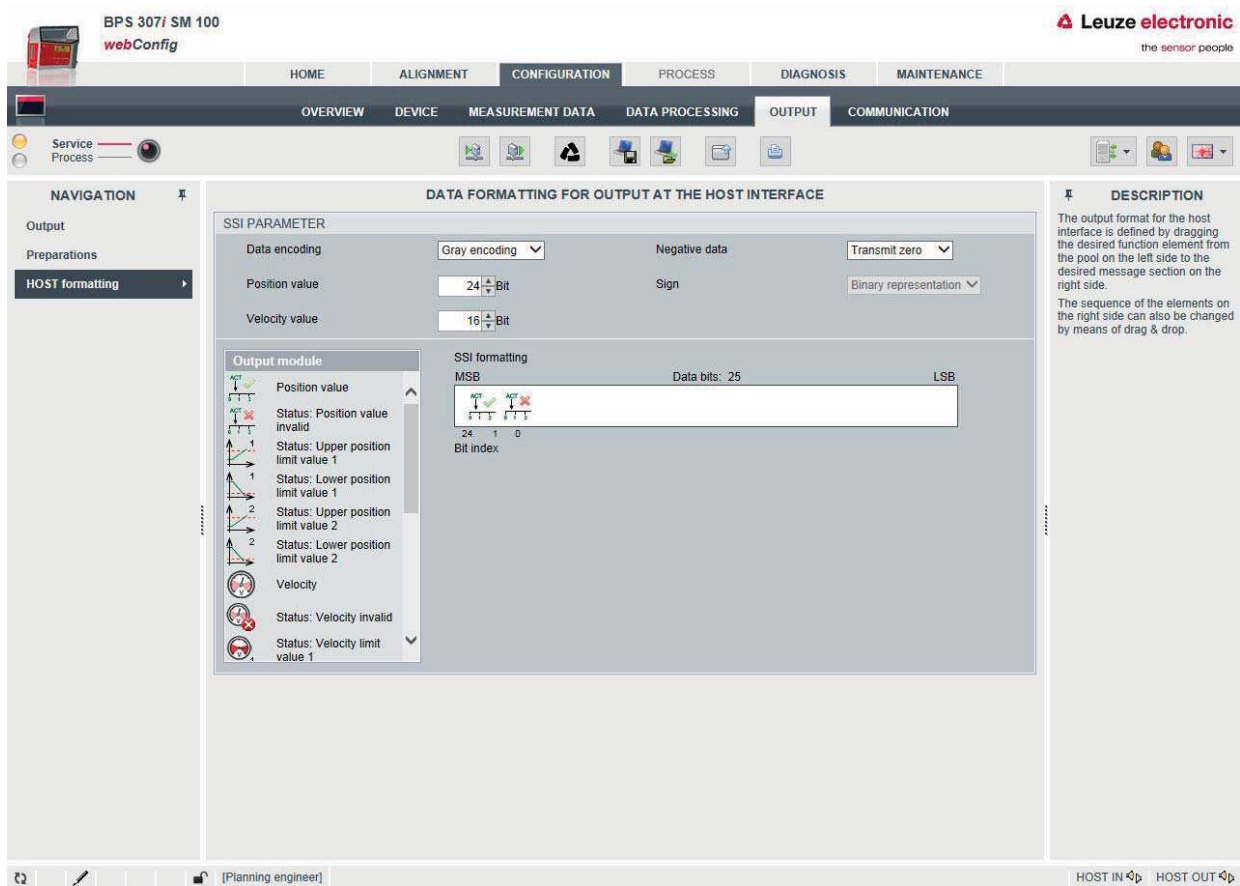



Figure 9.3: webConfig function *OUTPUT > HOST formatting*

SSi parameters

- Data encoding
 Toggling the measurement value encoding: Gray or binary
 For devices with connection hood MK 307 or MS 307, the measurement value encoding set here is overwritten on device startup with the measurement value encoding set via slide switch S1; see chapter 8.6.
- Position value
 Number of data bits - position value
- Velocity value
 Number of data bits - velocity value
- Sign
 If changed to *sign with magnitude*, the BPS can also transmit negative position and velocity values.

Formatting data output on the SSI interface

To format the data output, the symbols of the configured output modules are arranged in the desired order in the *SSi formatting* area.

- ☞ Select the required output module in the *Output modules* area.
 Click the symbol for the output module with the left mouse button and keep the mouse button pressed down.
- ☞ Drag the symbol for the output module into the white field in the *SSi formatting* area and release the mouse button (“drag and drop”).
- ☞ Use “drag and drop” to drag the symbols for all required output modules into the *SSi formatting* area.
- ☞ Arrange the symbols for the output modules in the *SSi formatting* area with the left mouse button in the sequence required for the data output.
- ☞ Save the SSI formatting in the device.
 Click the  symbol.

NOTICE

Set data bits in the SSI master!

☞ Set the configured number of data bits in the SSI master.

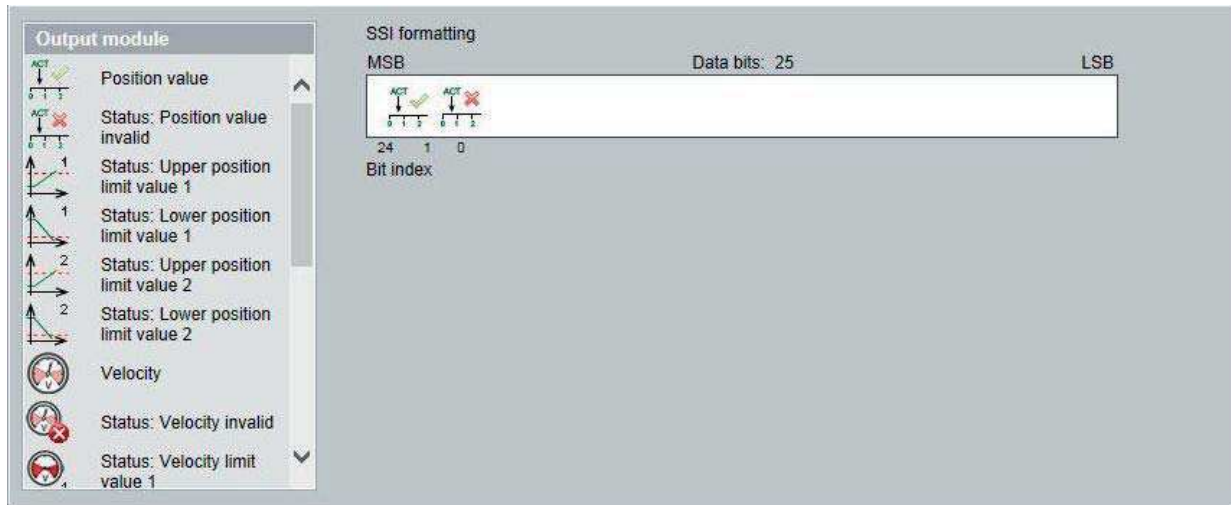


Figure 9.4: Data output on the SSI interface

The webConfig tool can be used to output the following data modules via the SSI interface:


- Position value
Current position of the BPS.
- Status: Position value invalid
Signals that no valid position value can be ascertained.
- Status: Upper/lower position limit value 1/2
Signals a value above/below the position limit.
- Speed
Current velocity of the BPS
- Status: Velocity invalid
Signals that no valid velocity can be ascertained.
- Status: velocity limit value 1-4
Signals that velocity limit value 1-4 has been exceeded or has not been met.
- Direction of movement
Signals the direction of movement of the BPS.
- Tape direction
Signals the orientation of the BPS to the BCB (0° or 180°).
- Status IO1, IO2
The status of the switching input/output is output.

Configuration of the switching inputs/outputs (*DEVICE* tab)

- I/O mode: switching input or switching output
- Output function
- Input function
- Timing functions
 - Signal delay
 - Pulse duration
 - Switch-on/switch-off delay
 - Debounce time
 - Inversion yes/no

Configuring switching outputs

- ☞ Select the function symbol for activation of the switching output in the *Functions* area.
- ☞ Use the left mouse button to drag the function symbol into the *Activation* window.

- ↪ Configure the timing; see chapter "Timing functions of the switching inputs/outputs".
 - ↪ Save the configuration of the switching outputs in the device.
- Click the  symbol.

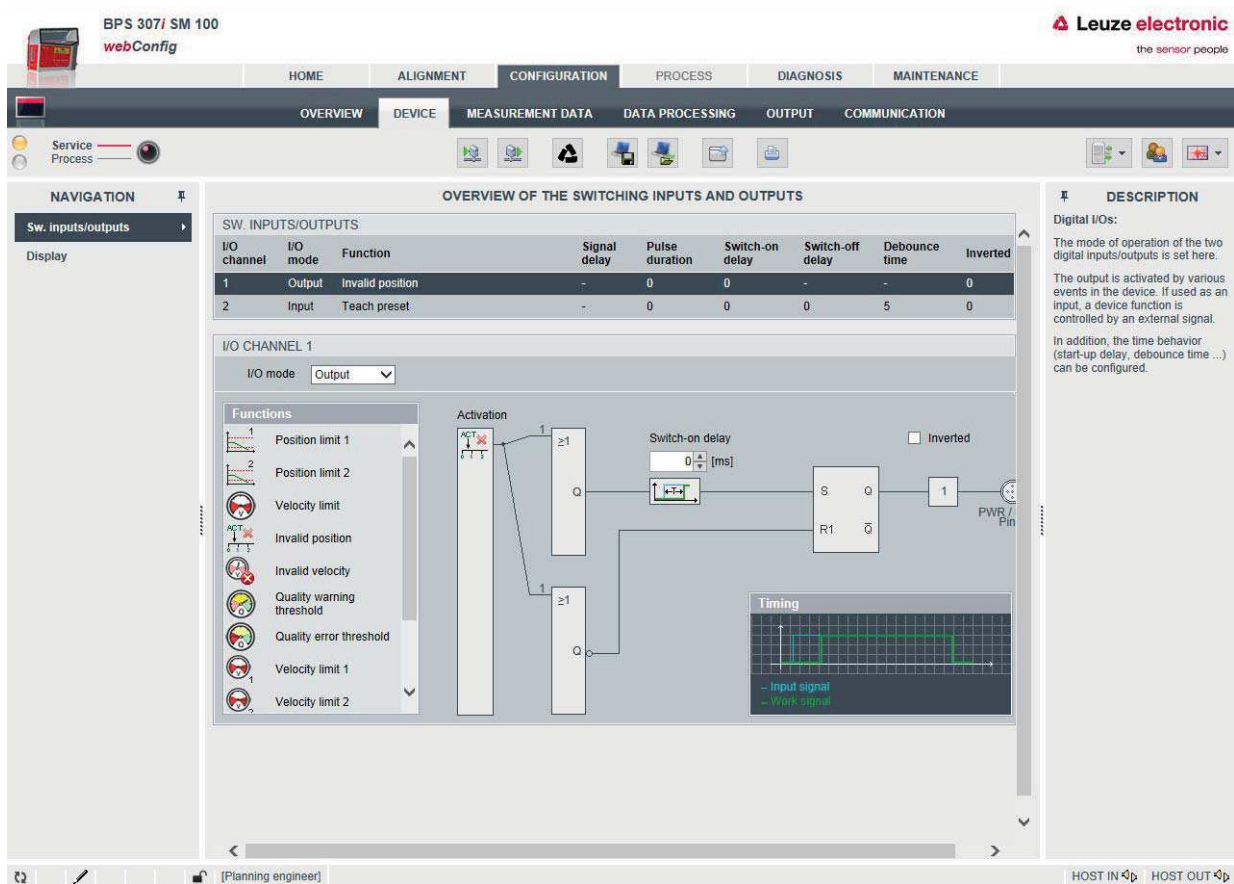



Figure 9.5: Configuration of the switching outputs

Possible signals via the switching outputs:

- Position limit 1/2
Signals a value above/below the position limit.
- Invalid position
Signals that no valid position can be ascertained.
- Velocity limit
Signals a value above/below the velocity limit.
- Velocity limit value 1-4
Signals that velocity limit value 1-4 has been exceeded or has not been met.
- Invalid velocity
Signals that no valid velocity can be ascertained.
- Quality warning threshold
Signals that the read quality is less than the warning threshold.
- Quality error threshold
Signals that the read quality is less than the error threshold.
- Device error
Signals a device error.

Configuring switching inputs

- ↪ Select the function of the switching input from the *Function* list:
 - No function
 - Start/stop measurement
 - Teach preset
 - Reset preset

- ↪ Configure the timing; see chapter "Timing functions of the switching inputs/outputs".
 - ↪ Save the configuration of the switching inputs in the device.
- Click the  symbol.

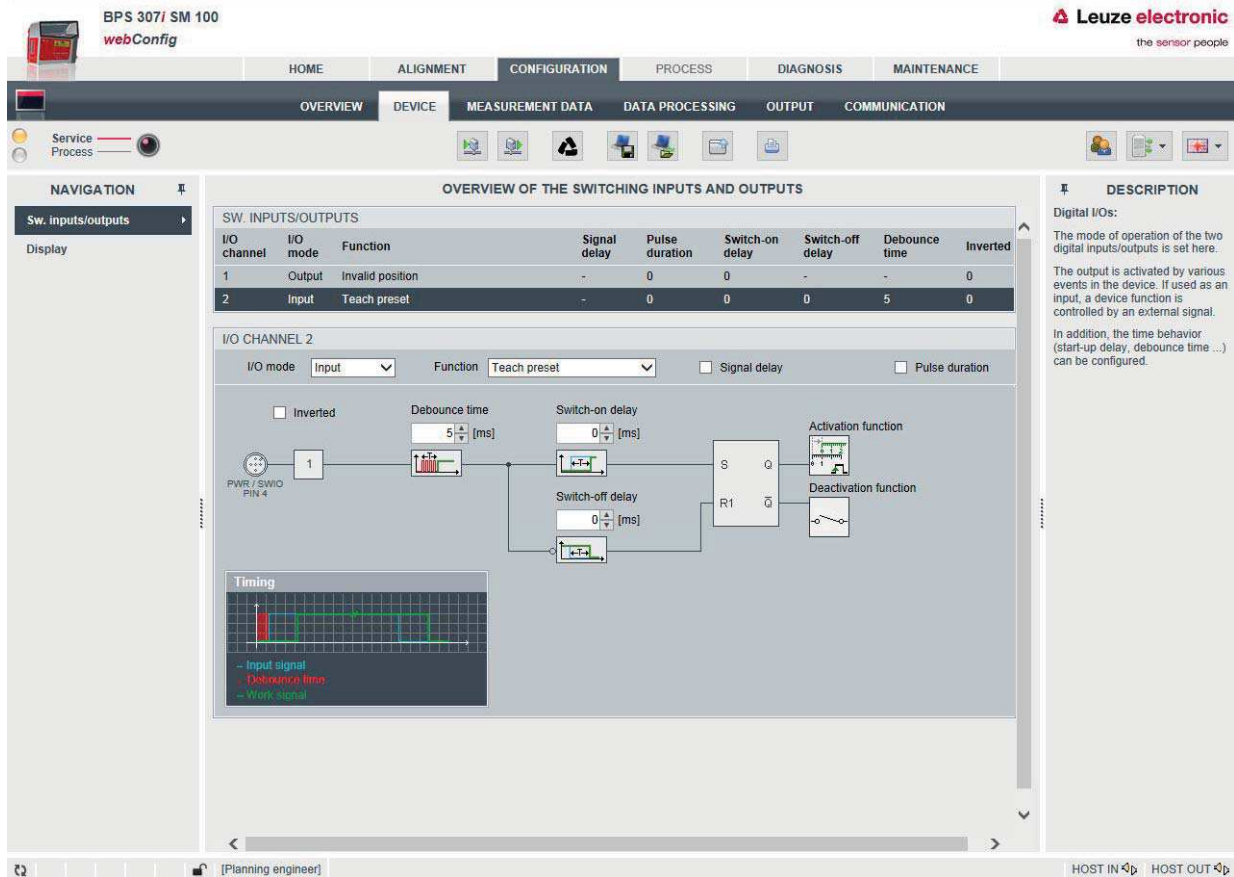


Figure 9.6: Configuration of the switching inputs

Timing functions of the switching inputs/outputs

The timing functions (e.g., start-up delay) can **only** be configured with the webConfig tool.

- Start-up delay
With this setting, the output pulse is delayed by the specified time (in ms).
- Switch-on time
Defines the switch-on time period for the switching input. Any activated switch-off function then no longer has any function.
If the output is deactivated via the switch-off signal before the start-up delay lapses, only a brief pulse appears at the output following the start-up delay.
- Debounce time
Parameter for setting the software debounce time for the switching input. The definition of a debounce time extends the signal transition time accordingly.
If this parameter has the value 0, no debouncing takes place. Otherwise, the set value corresponds to the time (in ms) that the input signal must be present and stable.
- Switch-off delay
This parameter specifies the duration of the switch-off delay (in ms).

Configuration of the resolution for position and velocity measurement on the SSI interface (*OUTPUT* tab, *Preparation > SSI*)

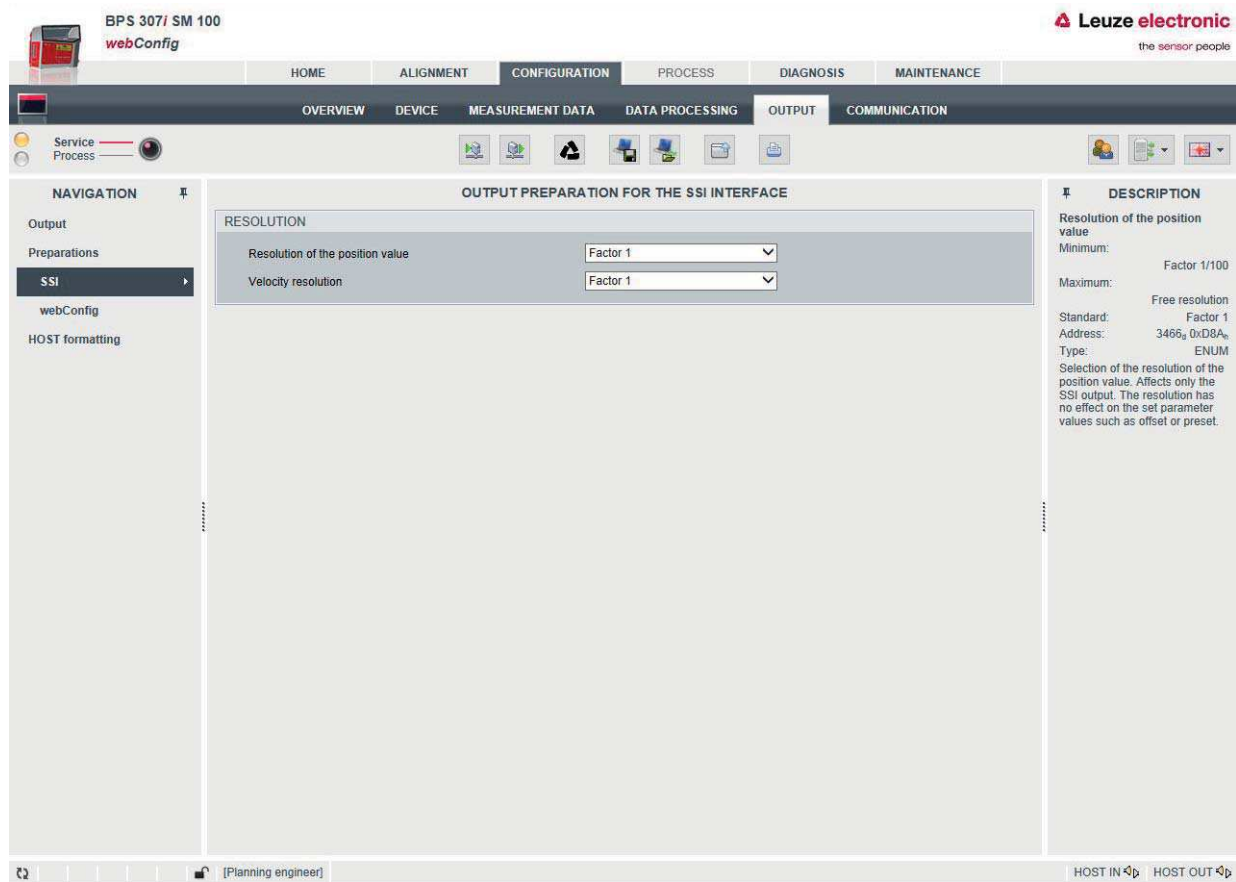


Figure 9.7: webConfig function *OUTPUT > Preparation > SSI*

- Position resolution
Resolution for the position value
- Velocity resolution
Resolution for the velocity value

Configuration of the bar code tape selection and tape value correction (*MEASUREMENT DATA* tab, *Bar code tape*)

- Bar code tape with 30 mm grid or 40 mm grid
- Tape value correction
With this parameter, the deviation of the BCB from the correct millimeter scaling that arises from the production process can be corrected.

Configuration of position detection (*DATA PROCESSING* tab, *Position > Detection*)

- Integration depth
Number of successive measurements that the BPS uses for position determination.
- Scaling free resolution
Free scaling of the output of the position values.
- Preset
A preset position value (preset value) is activated at an appropriate position.
- Offset
Output value=measurement value+offset
If a preset is active, this has priority over the offset.
- Error handling procedures
Parameters for the position value in case of failure.

Configuration of position monitoring (*DATA PROCESSING* tab, *Position > Monitoring*)

- Position limit value 1/2
Signals that the position value is outside of the configured limit value range.

Configuration of velocity detection (*DATA PROCESSING* tab, *Velocity > Detection*)

- Velocity measurement averaging
Measurement value preparation averages all velocity values calculated during the selected period (averaging) to yield a velocity output value.
- Scaling free resolution
Free scaling of the output of the velocity values.
- Error handling procedures
Parameters for the velocity value in case of failure.

Configuration of velocity monitoring (*DATA PROCESSING* tab, *Measurement data > Velocity > Monitoring*)

- Velocity limit value 1-4
Signals that the velocity is outside of the configured limit value range.

Configuration of the measurement value display (*DATA PROCESSING* tab, *General preparation*)

- Unit of measurement: metric or inch
- Counting direction
Count direction for position calculation or sign for velocity calculation.
- Output mode sign
Output mode of the sign. Affects position value and velocity output.

Configuration of monitoring of the read quality (*DATA PROCESSING* tab, *Read quality*)

- Warning threshold for read quality in %
- Error threshold for read quality in %

Configuration of the communication data (*COMMUNICATION* tab)

- Configuration of the SERVICE USB interface
- Selection of the master clock frequency according to the request frequency of the control (master):
 - 80 kHz - 600 kHz
 - 50 kHz - 79 kHz
- Update rate of the measurement values on the SSI interface. The measurement value is updated independent of the clock frequency.
 - 2 ms
 - 1 ms
 - 200 µs
 - 50 µs

9.3.3 ALIGNMENT function

NOTICE
ALIGNMENT function only in the <i>Service</i> operating mode!
👉 The BPS can only be aligned using the <i>ALIGNMENT</i> function in the <i>Service</i> operating mode.

The *ALIGNMENT* function serves to simplify mounting and alignment of the BPS. The laser is to be activated via the **Start** icon so that the function can monitor and directly display the measurement values for position and velocity and determine the optimum installation location.

In addition, read quality (in %), working distance and the number of labels in the scanning beam can be displayed. Using this information, it is possible to assess how well the BPS is aligned with the BCB.



During output of the read results, the BPS is controlled by the webConfig tool.

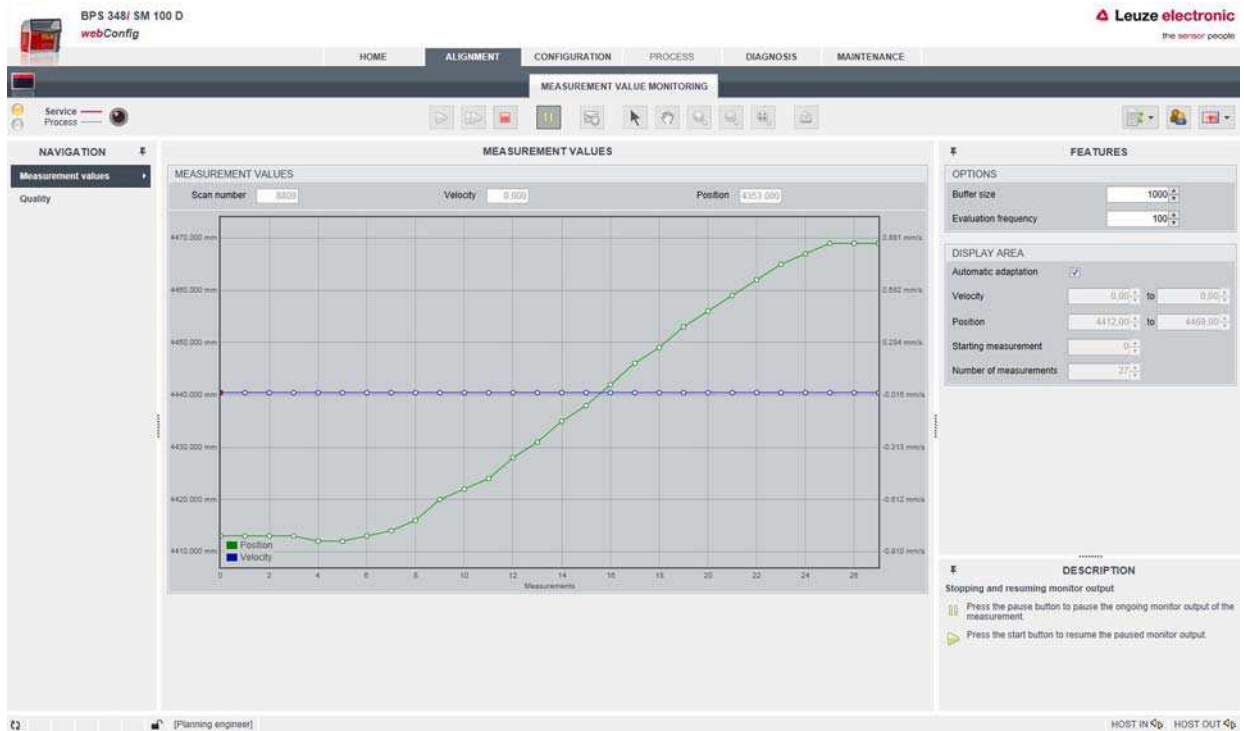


Figure 9.8: ALIGNMENT webConfig function

9.3.4 PROCESS function

The PROCESS function serves to control the current measurement data in the Process operating mode. The measurement results are output in tabular form – strictly as monitor output. The **Pause/Start** icon can be used to interrupt and resume monitor recording.

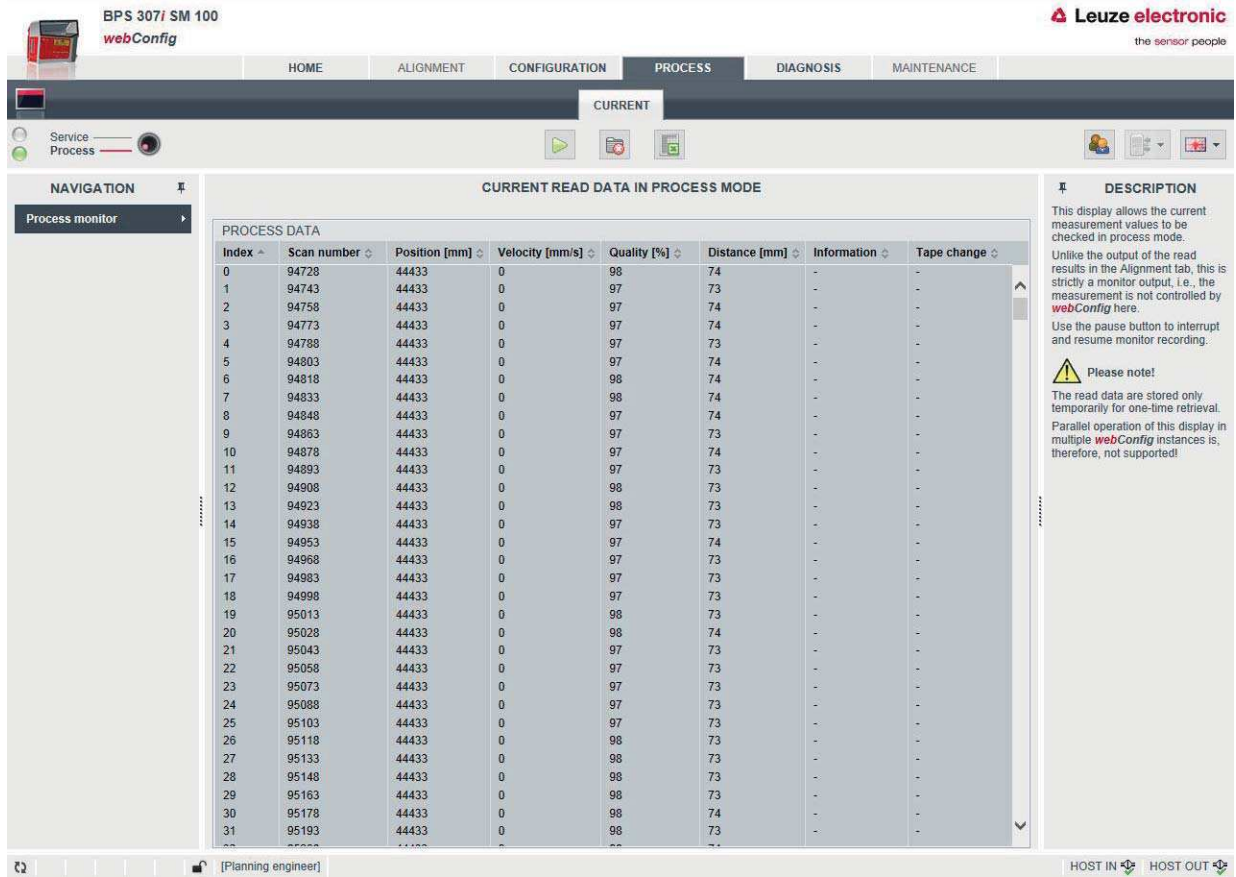


Figure 9.9: PROCESS webConfig function

9.3.5 DIAGNOSIS function

The *DIAGNOSTICS* function is available in the *Process* and *Service* operating modes. The device event log is displayed with the *DIAGNOSTICS* function.

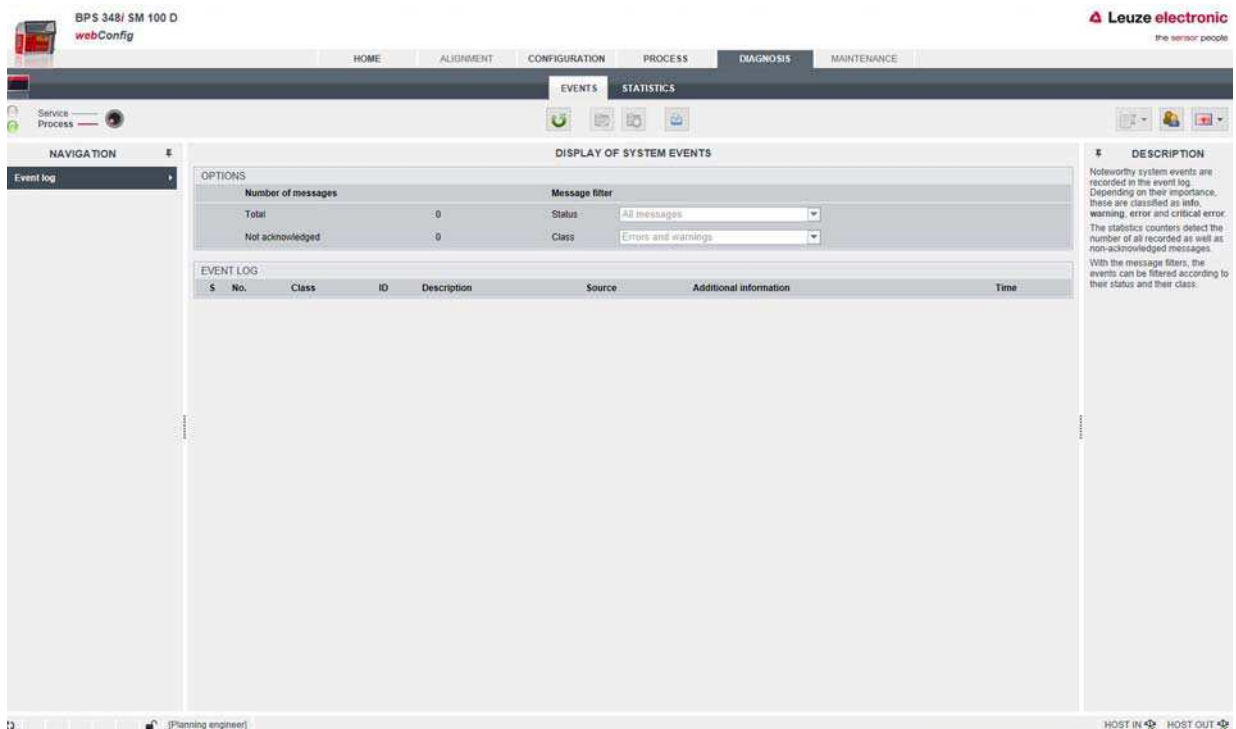


Figure 9.10: DIAGNOSTICS webConfig function

9.3.6 MAINTENANCE function

The *MAINTENANCE* function is only available in the *Service* operating mode.

Functionalities:

- User management
- Devices Backup/Restore
- Firmware update
- System clock
- User interface settings

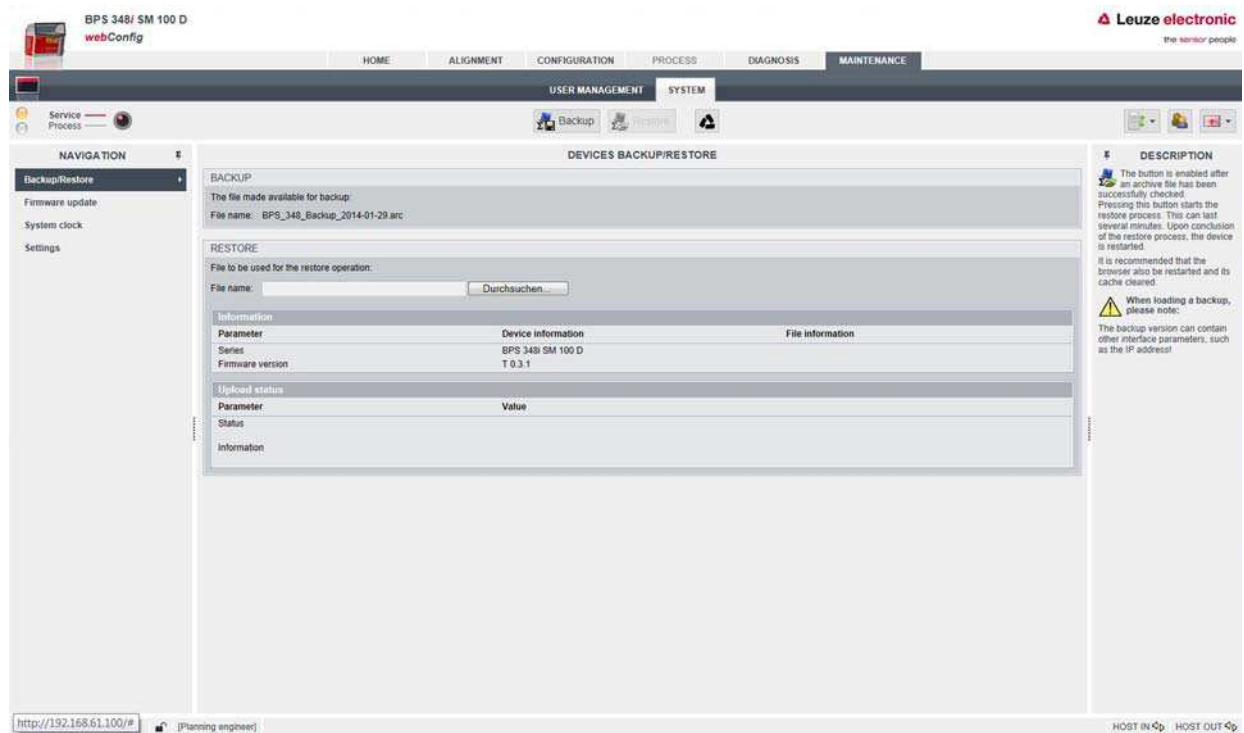


Figure 9.11: MAINTENANCE webConfig function

10 Diagnostics and troubleshooting

10.1 What to do in case of error?

After switching on the BPS, display elements (see chapter 3.3) assist in checking the proper function and troubleshooting.

In case of error, you can determine the error from the LED displays. With the error message you can determine the cause of the error and initiate measures to rectifying it.

↪ Switch off the system and leave it switched off.

↪ Analyze the cause of the error using the operation indicators, the error messages and the diagnostic tools (also with the help of the webConfig tool, *DIAGNOSTICS* tab) and rectify the error.

NOTICE

Contact Leuze electronic subsidiary/customer service.

↪ If you are unable to rectify a fault, contact the Leuze electronic branch responsible for you or call the Leuze electronic customer service (see chapter 12 "Service and support").

10.1.1 Diagnostics with webConfig tool

System events are displayed in the webConfig tool via the *DIAGNOSTICS* tab. Noteworthy system events are recorded in the event log. Depending on their importance, the events are classified as info, warning, error and critical error. The statistics counters detect the number of all recorded as well as non-acknowledged messages. With the message filters, the events can be filtered according to their status and their class.

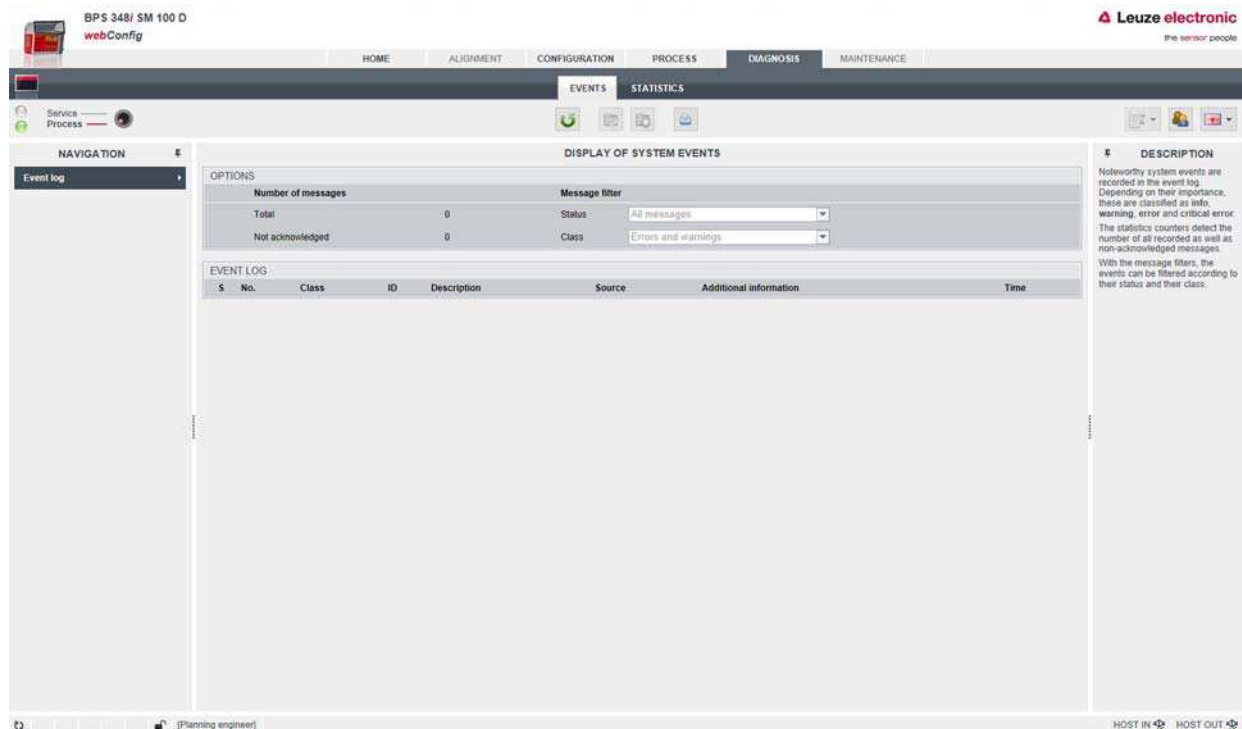


Figure 10.1: *DIAGNOSTICS* webConfig function

10.2 Operating displays of the LEDs

You can ascertain general causes of errors via the PWR and BUS status LEDs (see table 10.4).

Table 10.1: PWR LED displays – causes and measures

Faults	Possible cause	Measures
Off	<ul style="list-style-type: none"> No supply voltage connected to the device Hardware error 	<ul style="list-style-type: none"> Check supply voltage Contact Leuze electronic customer service(see chapter 12 "Service and support")
Red, flashing	<ul style="list-style-type: none"> No bar code in the scanning beam No valid measurement value 	<ul style="list-style-type: none"> Query BCB diagnostic data and carry out the resulting measures (see table 10.5)
Orange, continuous light	<ul style="list-style-type: none"> Device in <i>Service</i> mode 	<ul style="list-style-type: none"> Reset the device to <i>Process</i> mode using the webConfig tool

10.3 Error messages on the display

Via the optional display of the BPS, the device outputs the following possible error status information while it has the *BPS Info* device status:

- *System OK*
BPS operating error-free.
- *Warning*
Warning message. Query the device status in the webConfig tool.
- *Error*
Device function is not ensured.

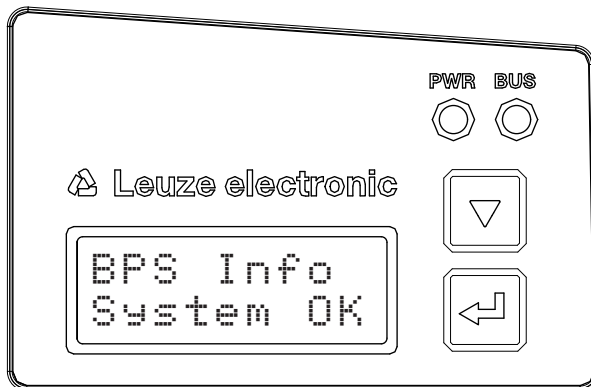


Figure 10.2: Example: Device status/error status information on the display

10.4 Checklist for causes of errors

Table 10.2: Service interface errors – causes and measures

Faults	Possible cause	Measures
webConfig does not start	<ul style="list-style-type: none"> Incorrectly connected interconnection cable Connected BPS is not recognized No communication via USB service interface Old webConfig configuration in the browser cache 	<ul style="list-style-type: none"> Check interconnection cable Install USB driver Clear browser history

Table 10.3: Process interface errors – causes and measures

Faults	Possible cause	Measures
Sporadic interface error	<ul style="list-style-type: none"> • Check wiring for proper contacting 	Check wiring: <ul style="list-style-type: none"> • Check wire shielding • Check wires used
	<ul style="list-style-type: none"> • EMC coupling 	<ul style="list-style-type: none"> • Observe contact quality of screwed or soldered contacts in the wiring • Avoid EMC coupling caused by power cables laid parallel to device lines • Separate laying of power and data communications cables
	<ul style="list-style-type: none"> • Maximum cable length exceeded 	<ul style="list-style-type: none"> • Check cable lengths according to the data rate

Table 10.4: LED indicators - interface errors – causes and measures

Faults	Possible cause	Measures
BUS LED “Off”	<ul style="list-style-type: none"> • No supply voltage connected to the device 	<ul style="list-style-type: none"> • Check supply voltage
	<ul style="list-style-type: none"> • Hardware error 	<ul style="list-style-type: none"> • Send device to customer service
BUS LED “red flashing”	<ul style="list-style-type: none"> • Incorrect wiring 	<ul style="list-style-type: none"> • Check wiring
	<ul style="list-style-type: none"> • Communication error 	<ul style="list-style-type: none"> • Check SSI parameters • Carry out a reset on the control
	<ul style="list-style-type: none"> • Different protocol settings 	<ul style="list-style-type: none"> • Check protocol settings

Table 10.5: Position measurement errors – causes and measures

Faults	Possible cause	Measures
Measurement value or read quality is continuously instable	<ul style="list-style-type: none"> • Soiling of the BPS optics 	<ul style="list-style-type: none"> • Clean the optics of the BPS
Measurement value or read quality is poor <ul style="list-style-type: none"> • at certain position values • always at the same position values 	<ul style="list-style-type: none"> • Soiling of the bar code tape 	<ul style="list-style-type: none"> • Clean the bar code tape • Replace the bar code tape
No measurement value can be determined	<ul style="list-style-type: none"> • No code in scanning beam • Code not in the working range of the BPS 	<ul style="list-style-type: none"> • Align the scanning beam with the bar code tape • Align the BPS with the bar code tape (working range 50 mm ... 170 mm)
Faulty measurement value	<ul style="list-style-type: none"> • Wrong bar code tape BCB grid different from BPS configuration 	<ul style="list-style-type: none"> • Change BPS configuration to the bar code tape that is being used

11 Care, maintenance and disposal

11.1 Cleaning

If there is dust on the BPS device:

- ↪ Clean the BPS device with a soft cloth; use a cleaning agent (commercially available glass cleaner) if necessary.

NOTICE

Do not use aggressive cleaning agents!

- ↪ Do not use aggressive cleaning agents such as thinner or acetone for cleaning the BPS device. Use of improper cleaning agents can damage the lens cover.

11.2 Servicing

The BPS does not normally require any maintenance by the operator. Repairs to the device must only be carried out by the manufacturer.

- ↪ For repairs, contact your responsible Leuze electronic subsidiary or Leuze electronic customer service (see chapter 12 "Service and support").

11.2.1 Firmware update

A firmware update can only be performed by Leuze electronic Service on-site or at the company headquarters.

- ↪ For firmware updates, contact your responsible Leuze electronic subsidiary or Leuze electronic customer service (see chapter 12).

11.2.2 BCB repair with repair kit

NOTICE

Do not use the BCB repair kit on a permanent basis!

- ↪ Use the bar code tape created with the repair kit only temporarily as an emergency solution. The optical and mechanical properties of the self-printed bar code tape do not correspond to those of the original bar code tape. Self-printed bar code tape should not remain in the system on a permanent basis.
- ↪ Repair bar code tapes in lengths of 1 m can be ordered from **Leuze electronic** on request.

If a bar code tape was damaged, e.g., by falling parts, you can download a repair kit for the BCB from the Internet.

www.leuze.com > Products > Measuring Sensors > Sensors for Positioning > BPS 300i > (Name of the BPS) > Tab Downloads > Repair kit.



In the repair kit files, you will find all position values with 30 mm grid and 40 mm grid.

Layout:

- BCB8: 0.9 m of bar code tape is provided on each A4 sheet. Five lines of 18 cm with six code-information segments of 30 mm each. Tape lengths: 0 ... 500 m, 500 ... 1000 m, 1000 ... 1500 m ... 2500 ... 3000 m
- BCB: 1 m of bar code tape is provided on each A4 sheet. Five lines of 20 cm with five code-information sections of 40 mm each. Tape lengths: 0 ... 500 m, 500 ... 1000 m, 1000 ... 1500 m and 1500 ... 2000 m

Replacing a section of defective bar code tape

- ↪ Determine the coding of the defective area.
- ↪ Print out the coding for the given area.

↪ Affix the printed code over the defective section of bar code tape.

<p>NOTICE</p> <p>Printing coding</p> <p>↪ Select only those pages that are actually required.</p> <p>↪ Change the printer settings so that the bar code is not distorted.</p> <p>↪ Check the print results and measure the distance between two bar codes (see figure 11.1 and see figure 11.2):</p> <p>BCB: 40 mm</p> <p>BCB8: 30 mm</p> <p>↪ Cut the code strips and arrange them next to one another. The code content must always increase or decrease in increments of 30 mm or 40 mm.</p> <p>Check that the printed values increase by 3 or 4.</p>
--

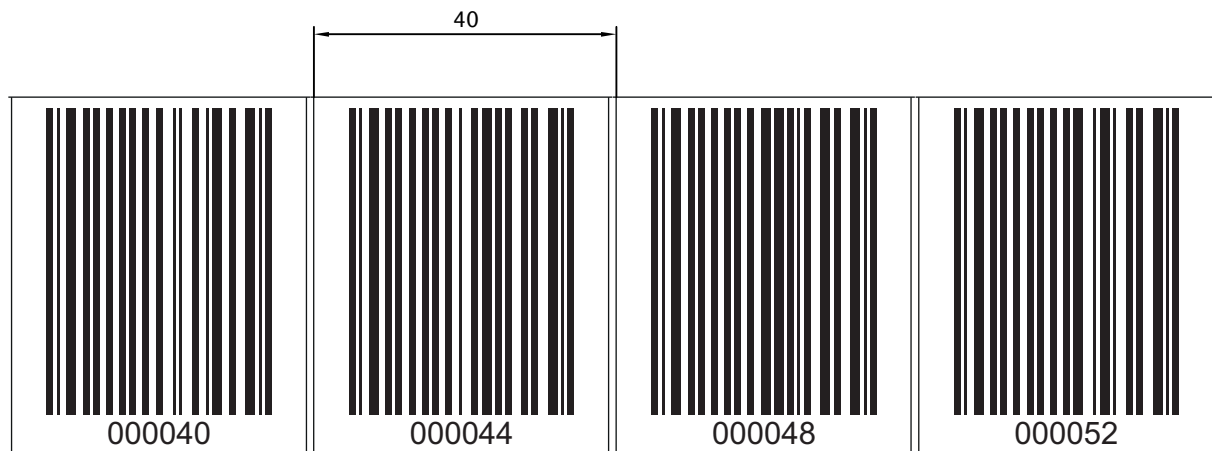


Figure 11.1: Checking the print results of the BCB repair kit (40 mm grid)



Figure 11.2: Checking the print results of the BCB8 repair kit (30 mm grid)

11.3 Disposing

↪ For disposal observe the applicable national regulations regarding electronic components.

12 Service and support

24-hour on-call service at:

+49 (0) 7021 573 - 0

Service hotline:

+49 (0) 7021 573 - 123

Monday to Friday 8.00 a.m. to 5.00 p.m. (UTC+1)

E-mail:

service.identify@leuze.de

Repair service and returns:

Procedure and Internet form can be found at

www.leuze.com/repair

Return address for repairs:

Service center

Leuze electronic GmbH + Co. KG

In der Braike 1

D-73277 Owen / Germany

12.1 What to do should servicing be required?

NOTICE
Please use this chapter the as a master copy should servicing be required!
↪ Enter the contact information and fax the form together with your service order to the fax number given below.

Customer data (please complete)

Device type:	
Serial number:	
Firmware:	
Display messages:	
LED states:	
Error description:	
Company:	
Contact partner/department:	
Phone (direct):	
Fax:	
Street / No:	
ZIP code/City:	
Country:	

Leuze Service fax number:

+49 7021 573 - 199

13 Specifications

13.1 General specifications

Table 13.1: Optics

Light source	Laser diode
Wavelength	655 nm
Life expectancy laser diode	100,000 h (typ. at +25 °C)
Beam deflection	By means of rotating polygon wheel
Exit window	Glass
Laser class	2 acc. to IEC 60825-1:2007 (EN 60825-1:2008-05); II acc. to CDRH (U.S. 21 CFR 1040.10 with deviations corresponding to "Laser Notice No. 50" from June 24, 2007)
Working range	50 mm ... 170 mm At a reading distance of 50 mm, the reading field width is 120 mm. At a reading distance beyond 100 mm, the reading field width is 160 mm (see figure 13.1, BPS reading field curve).

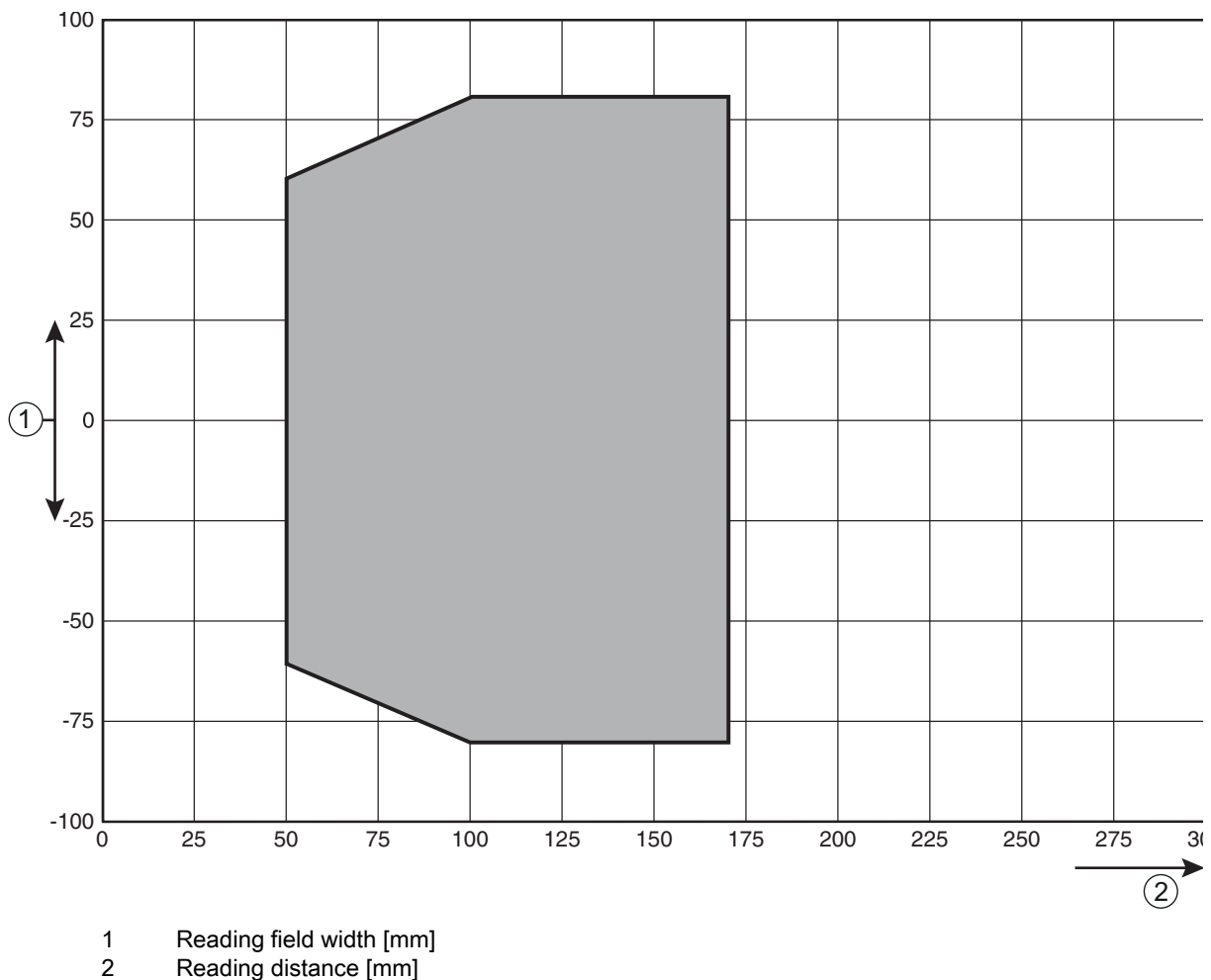


Figure 13.1: BPS reading field curve

Table 13.2: Measurement data

Reproducibility (3 sigma)	±0.15 mm
Integration time	8 ms (factory setting)
Measurement value output	<ul style="list-style-type: none"> • 2 ms – factory setting • 1 ms (1000 scans/s) • 200 µs • 50 µs
Measurement range	0 ... 10,000,000 mm
Max. traverse rate	10 m/s

Table 13.3: Operating and display elements

Display	Monochromatic graphical display, 128 x 32 pixels, With background lighting
Keyboard	Two buttons
LEDs	Two LEDs for power (PWR) and bus state (BUS), two-colored (red/green)

Table 13.4: Mechanical data

Housing	Diecast aluminum
Connection technology	<ul style="list-style-type: none"> • BPS with MS 307: M12 connectors • BPS with MK 307: Terminal blocks with spring-cage terminals (5-pin) • BPS with KB 307: cable connection
Degree of protection	IP 65
Weight	Approx. 580 g (without connection hood)
Dimensions (without connection hood)	(H x W x D) 108.7 mm x 100.0 mm x 48.3 mm
Dimensions (with MS 307 connection hood)	(H x W x D) 108.7 mm x 100.0 mm x 48.3 mm
Dimensions (with MK 307 connection hood)	(H x W x D) 147.4 mm x 100.0 mm x 48.3 mm
Dimensions (with KB 307 connection hood)	(H x W x D) 108.7 mm x 100.0 mm x 48.3 mm
Dimensions of MS 307 connection hood	(H x W x D) 64.0 mm x 43.5 mm x 33.5 mm
Dimensions of MK 307 connection hood	(H x W x D) 64.0 mm x 43.5 mm x 83.5 mm
Dimensions of KB 307 connection hood	(H x W x D) 64.0 mm x 43.5 mm x 18.1 mm

Table 13.5: Environmental data

Air humidity	Max. 90% rel. humidity, non-condensing
Vibration	IEC 60068-2-6, Test Fc
Shock Continuous shock	IEC 60068-2-27, Test Ea
Electromagnetic compatibility	IEC 61000-6-3 IEC 61000-6-2 (contains IEC 61000-4-2, -3, -4, -5, -6)

Table 13.6: Certifications, conformity

Conformity	CE, CDRH
Certifications	UL 60950-1, CSA C 22.2 No. 60950-1 For UL applications: use is permitted exclusively in Class 2 circuits according to NEC

13.1.1 BPS without heating

Table 13.7: Electrical equipment

Interface type	SSI SSI clock rate (CLOCK): 50 kHz ... 600 kHz
Service USB interface	Mini-B type USB 2.0 socket
Switching input/Switching output	2 switching inputs/ outputs Switching input: 18 ... 30 VDC depending on supply voltage, I max. = 8 mA Switching output: 18 ... 30 VDC, depending on supply voltage, I max. = 60 mA (short-circuit proof) Switching inputs/outputs protected against polarity reversal!
PWR LED green	Device ready (Power On)
Operating voltage U_B	18 ... 30 VDC (Class 2, safety class III) For UL applications: use is permitted exclusively in Class 2 circuits according to NEC
Power consumption	max. 3.7 W

Table 13.8: Ambient temperature

Ambient temperature (operation)	-5 °C ... +50 °C
Ambient temperature (storage)	-35 °C ... +70 °C

13.1.2 BPS with heating

Table 13.9: Electrical equipment

Operating voltage U_B	18 ... 30 VDC For UL applications: use is permitted exclusively in Class 2 circuits according to NEC
Power consumption	max. 17.7 W
Structure of the heating	Housing heating and separate heating of the optics glass
Warmup time	Minimum 30 min at +24 VDC and an ambient temperature of -35 °C
Minimum conductor cross section	Conductor cross section of at least 0.75 mm ² for the supply voltage supply line. Notice: Wiring through of the voltage supply to multiple heating devices is not permissible. Standard, M12 ready-made cable not usable (insufficient conductor cross section).

Table 13.10: Ambient temperature

Ambient temperature (operation)	-35 °C ... +50 °C
Ambient temperature (storage)	-35 °C ... +70 °C

13.2 Bar code tape

Table 13.11: BCB dimensions

	BCB	BCB8
Grid	40 mm	30 mm
Standard height	47 mm	47 mm
Preferred heights	25 mm, Special heights for lengths greater than 150 m	25 mm, 30 mm, special heights for lengths greater than 150 m
Length	0 ... 5 m, 0 ... 10 m, 0 ... 20 m, ..., 0 ... 150 m, 0 ... 200 m; Special lengths and special codings for lengths greater than 150 m (see chapter 14)	0 ... 5 m, 0 ... 10 m, 0 ... 20 m, ..., 0 ... 150 m; Special lengths and special codings for lengths greater than 150 m (see chapter 14)
Tape tolerance	±1 mm per meter	±1 mm per meter

NOTICE

Twin tapes on request

↪ Twin tapes can be ordered on request (see chapter 14).

Table 13.12: BCB structure

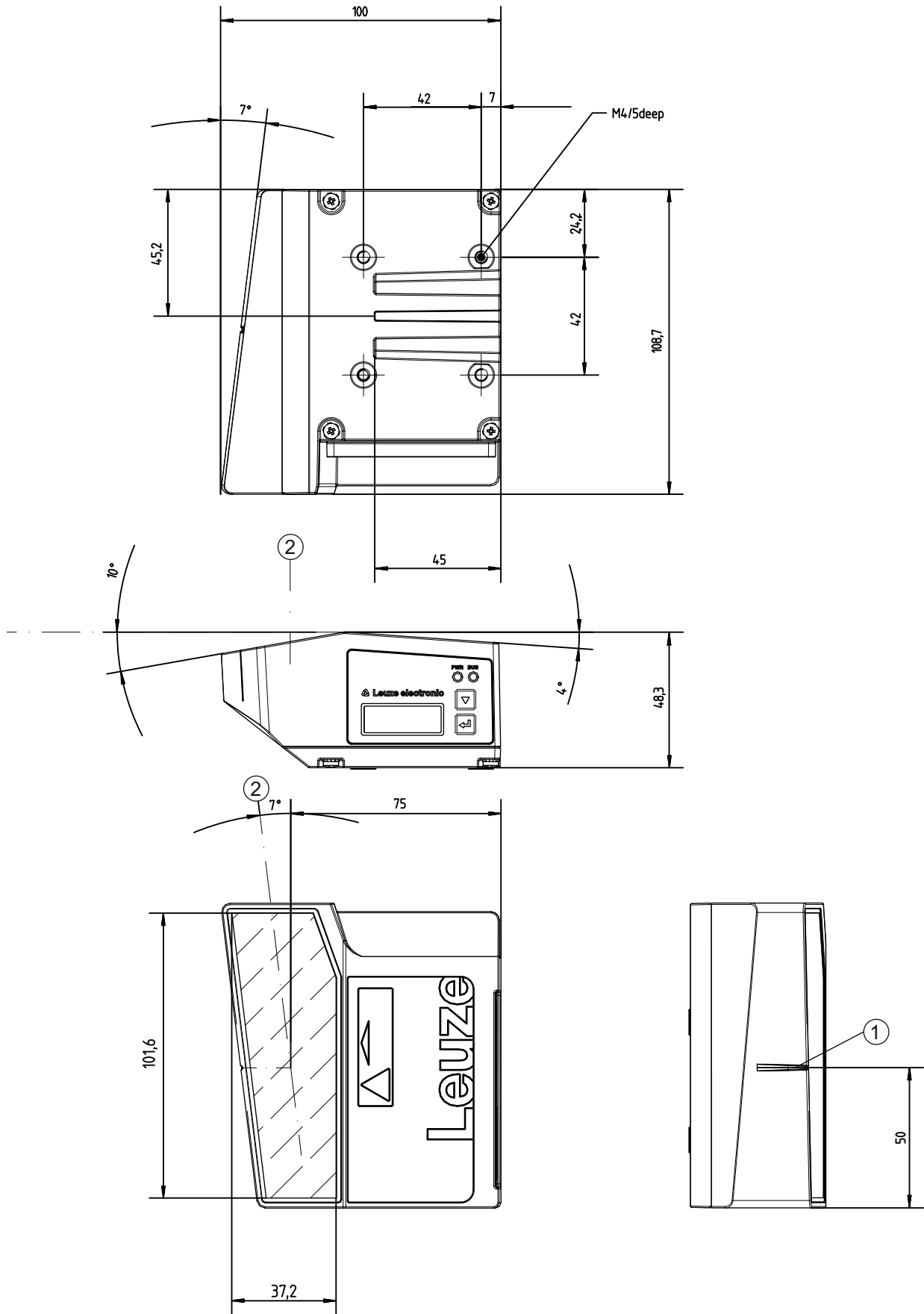
Manufacturing process	Filmsetting
Surface protection	Polyester, matt
Base material	Polyester film, affixed without silicone
Adhesive	Acrylate adhesive
Adhesive thickness	0.1 mm
Adhesive strength (average values)	On aluminum: 25 N/25 mm On steel: 25 N/25 mm On polycarbonate: 22 N/25 mm On polypropylene: 20 N/25 mm

Table 13.13: BCB environmental data

Recommended processing temperature	0 °C ... +45 °C
Ambient temperature	-40 °C ... +120 °C
Dimensional stability	No shrinkage, tested according to DIN 30646
Curing	Final curing after 72 h; the BPS can detect the position immediately after the BCB is affixed.

Tear resistance	150 N
Elongation at tear	Min. 80%, tested in accordance with DIN 50014, DIN 51220
Weathering resistance	UV-light, humidity, salt spray (150 h/5 %)
Chemical resistance (tested at 23 °C for 24 h)	Transformer oil, diesel oil, white spirit, heptane, ethylene glycol (1:1)
Behavior in fire	Self-extinguishing after 15 s, does not drip
Mounting surface	Grease-free, dry, clean, smooth
Mechanical properties	Scratch and wipe resistant, UV resistant, moisture resistant, partly chemical resistant

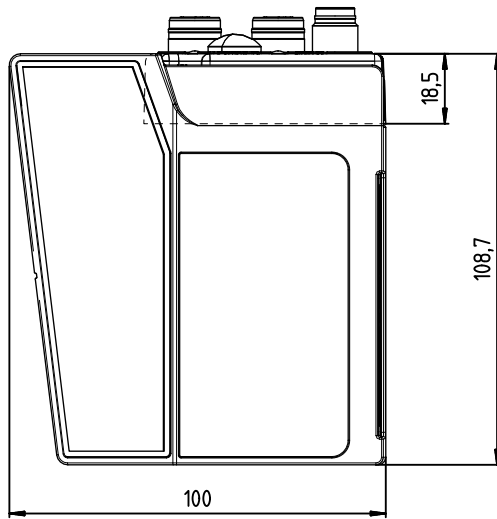
13.3 Dimensioned drawings



all dimensions in mm

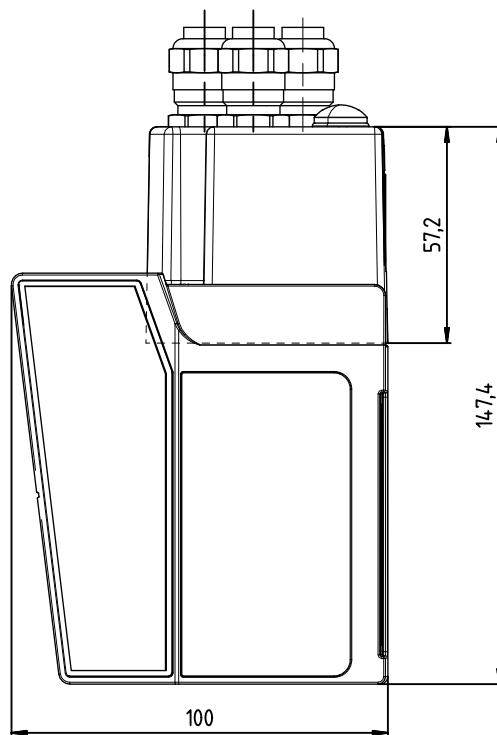
- 1 Reference point for the bar code position
- 2 Optical axis

Figure 13.2: Dimensioned drawing BPS without connection hood



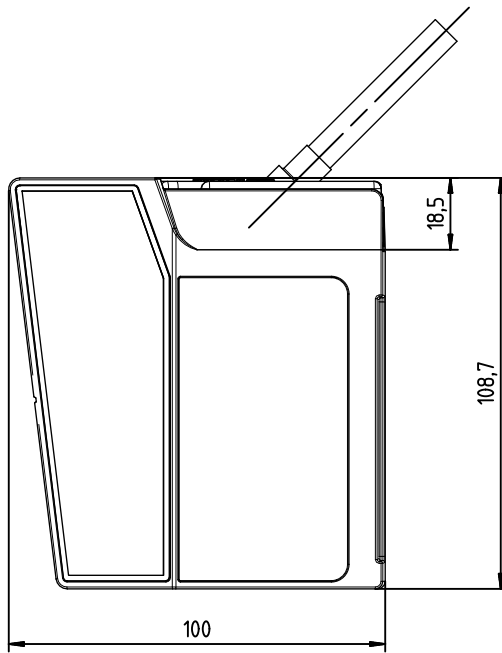
all dimensions in mm

Figure 13.3: Dimensioned drawing BPS with MS 307 connection hood



all dimensions in mm

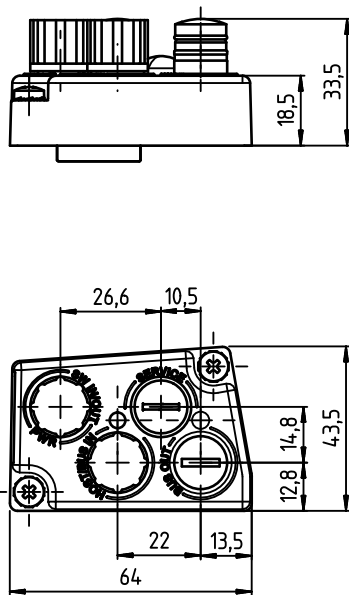
Figure 13.4: Dimensioned drawing BPS with MK 307 connection hood



all dimensions in mm

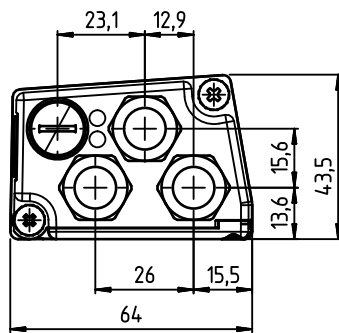
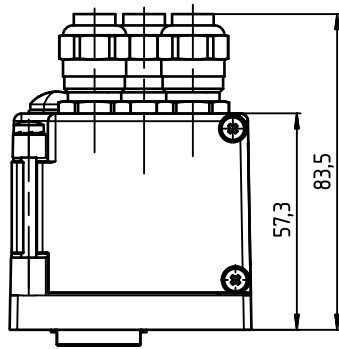
Figure 13.5: Dimensioned drawing BPS with KB 307 connection hood

13.4 Dimensional drawings: Accessories



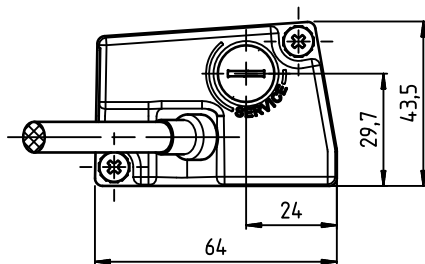
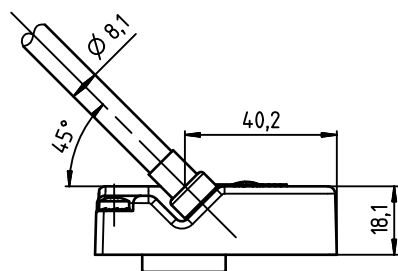
all dimensions in mm

Figure 13.6: Dimensioned drawing MS 307 connection hood



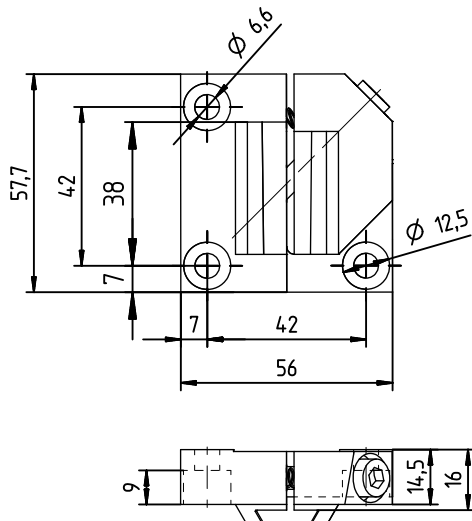
all dimensions in mm

Figure 13.7: Dimensioned drawing MK 307 connection hood



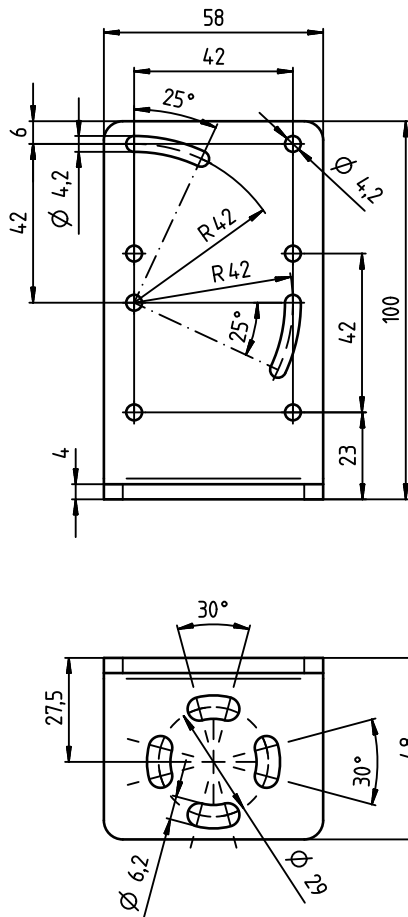
all dimensions in mm

Figure 13.8: Dimensioned drawing KB 307 connection hood



all dimensions in mm

Figure 13.9: Dimensioned drawing BTU 0300M-W mounting device



all dimensions in mm

Figure 13.10: Dimensioned drawing BT 300-W mounting bracket

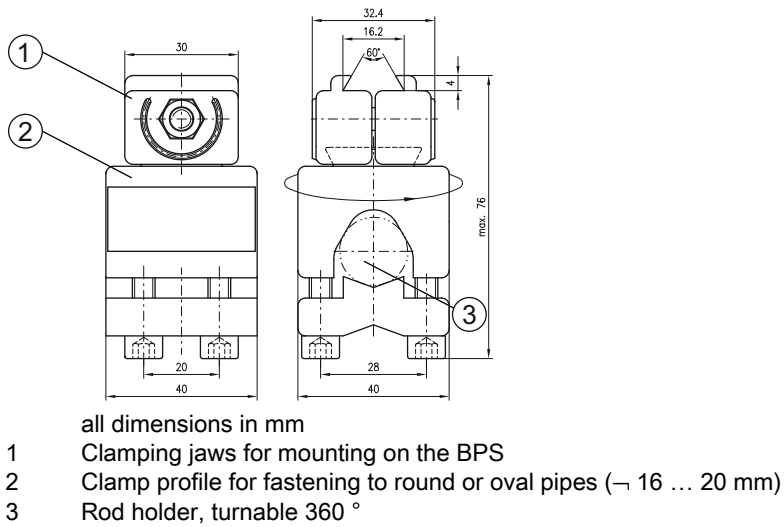


Figure 13.11: Dimensioned drawing BT 56 mounting device

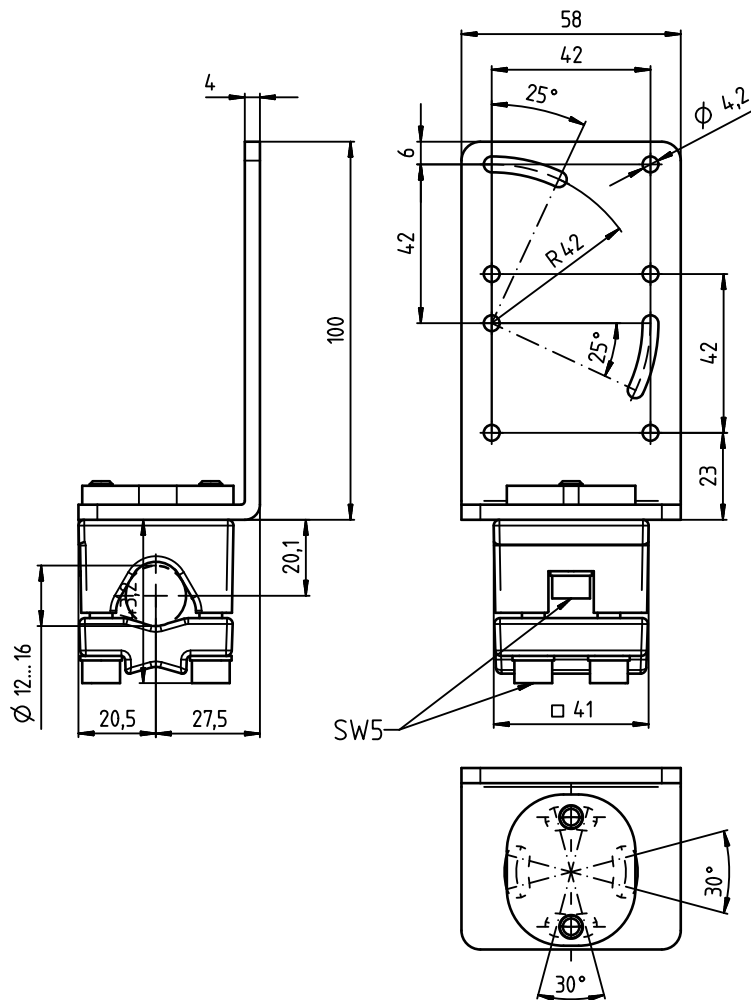


Figure 13.12: Dimensioned drawing BT 300-1 mounting device

13.5 Dimensioned drawing bar code tape



Figure 13.13: Dimensioned drawing bar code tape BCB with 40 mm grid

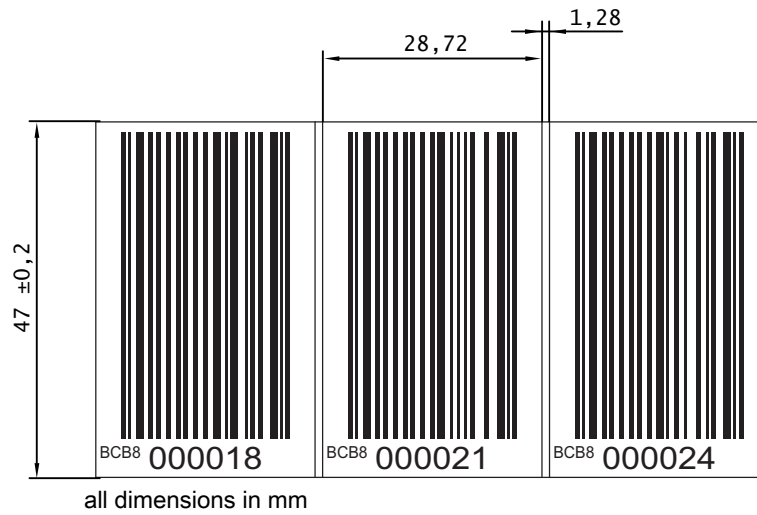


Figure 13.14: Dimensioned drawing bar code tape BCB8 with 30 mm grid

14 Ordering information and accessories

14.1 BPS 307i type overview

Table 14.1: BPS 307i type overview

Part no.	Part designation	Description
50125677	BPS 307i SM 100 D H	BPS with SSI interface, display and heating
50125678	BPS 307i SM 100 D	BPS with SSI interface and display
50125679	BPS 307i SM 100	BPS with SSI interface

14.2 Connection hoods

Table 14.2: BPS connection hoods

Part no.	Part designation	Description
50126130	MS 307	Connection hood with M12 connectors
50126131	MK 307	Connection hood with spring-cage terminals
50126132	KB 307-3000	Connection hood with cable

14.3 Cables-Accessories

Table 14.3: Accessories – PWR connection cable (voltage supply)

Part no.	Part designation	Description
50104557	K-D M12A-5P-5m-PVC	PWR connection cable, M12 socket for PWR, axial plug outlet, open cable end, cable length 5 m, not shielded
50104559	K-D M12A-5P-10m-PVC	PWR connection cable, M12 socket for PWR, axial plug outlet, open cable end, cable length 10 m, not shielded

Table 14.4: Accessories – SSI/Interbus connection cable (only for RS 232)

Part no.	Part designation	Description
M12 plug for SSI/Interbus, axial connector, open line end		
50104172	KB SSI/IBS-2000-BA	SSI/Interbus connection cable, length 2 m
50104171	KB SSI/IBS-5000-BA	SSI/Interbus connection cable, length 5 m
50104170	KB SSI/IBS-10000-BA	SSI/Interbus connection cable, length 10 m
50104169	KB SSI/IBS-15000-BA	SSI/Interbus connection cable, length 15 m
50108446	KB SSI/IBS-30000-BA	SSI/Interbus connection cable, length 30 m

14.4 Other accessories

Table 14.5: Accessories – BPS connectors

Part no.	Part designation	Description
50020501	KD 095-5A	M12 axial socket for voltage supply, shielded
50038538	KD 02-5-BA	M12 axial socket, B-coded, for SSI, shielded

Table 14.6: Accessory USB cable

Part no.	Part designation	Description
50117011	KB USBA-USBminiB	USB service cable, 1 Type A and Mini-B type connector, length 1 m

Table 14.7: Mounting device accessories

Part no.	Part designation	Description
50124941	BTU 0300M-W	Mounting device for wall mounting – precise alignment of the BPS without adjustment (easy-mount).
50121433	BT 300 W	Mounting bracket for wall mounting
50027375	BT 56	Mounting device for rod
50121434	BT 300-1	Mounting device for rod

14.5 Bar code tapes

Table 14.8: Accessories – BCB

Part no.	Part designation	Description
50038895	BCB 005	Bar code tape, 5 m length, 47 mm high
50040041	BCB 010	Bar code tape, 10 m length, 47 mm high
50037489	BCB 020	Bar code tape, 20 m length, 47 mm high
50037491	BCB 030	Bar code tape, 30 m length, 47 mm high
50037492	BCB 040	Bar code tape, 40 m length, 47 mm high
50038894	BCB 050	Bar code tape, 50 m length, 47 mm high
50038893	BCB 060	Bar code tape, 60 m length, 47 mm high
50038892	BCB 070	Bar code tape, 70 m length, 47 mm high
50038891	BCB 080	Bar code tape, 80 m length, 47 mm high
50038890	BCB 090	Bar code tape, 90 m length, 47 mm high
50037493	BCB 100	Bar code tape, 100 m length, 47 mm high
50040042	BCB 110	Bar code tape, 110 m length, 47 mm high
50040043	BCB 120	Bar code tape, 120 m length, 47 mm high
50040044	BCB 130	Bar code tape, 130 m length, 47 mm high
50040045	BCB 140	Bar code tape, 140 m length, 47 mm high

Part no.	Part designation	Description
50040046	BCB 150	Bar code tape, 150 m length, 47 mm high
50037494	BCB 200	Bar code tape, 200 m length, 47 mm high
50037495	BCB special length 47 mm height	Bar code tape with special length, 47 mm high
50102600	BCB special length 25 mm height	Bar code tape with special length, 25 mm high
50106979	BCB special length / height	Bar code tape with special length and height
50111786	BCB special length / height / winding	Bar code tape with special length, height and wrapping direction
50106478	MVS label 40 mm 10 pieces	MVS label, 40 mm grid; packaging unit: 10 pieces
50126134	MV0 label 40 mm 10 pieces	MV0 label, 40 mm grid; packaging unit: 10 pieces
50106473	Repair kit 40 mm	Repair kit, 40 mm grid

Table 14.9: Accessories – BCB8

Part no.	Part designation	Description
50104792	BCB8 010	Bar code tape, 10 m length, 47 mm high
50104793	BCB8 020	Bar code tape, 20 m length, 47 mm high
50104794	BCB8 030	Bar code tape, 30 m length, 47 mm high
50104795	BCB8 040	Bar code tape, 40 m length, 47 mm high
50104796	BCB8 050	Bar code tape, 50 m length, 47 mm high
50104797	BCB8 060	Bar code tape, 60 m length, 47 mm high
50104798	BCB8 070	Bar code tape, 70 m length, 47 mm high
50104799	BCB8 080	Bar code tape, 80 m length, 47 mm high
50104800	BCB8 090	Bar code tape, 90 m length, 47 mm high
50104801	BCB8 100	Bar code tape, 100 m length, 47 mm high
50104802	BCB8 110	Bar code tape, 110 m length, 47 mm high
50104803	BCB8 120	Bar code tape, 120 m length, 47 mm high
50104804	BCB8 130	Bar code tape, 130 m length, 47 mm high
50104805	BCB8 140	Bar code tape, 140 m length, 47 mm high
50104806	BCB8 150	Bar code tape, 150 m length, 47 mm high
50104807	BCB8 special length 47 mm height	Bar code tape with special length, 47 mm high
50104808	BCB8 special length 30 mm height	Bar code tape with special length, 30 mm high
50104809	BCB8 special length 25 mm height	Bar code tape with special length, 25 mm high
50106980	BCB8 special length / height	Bar code tape with special length and height

Part no.	Part designation	Description
50106476	MVS label 30 mm 10 pieces	MVS label, 30 mm grid; packaging unit: 10 pieces
50126135	MV0 label 30 mm 10 pieces	MV0 label, 30 mm grid; packaging unit: 10 pieces
50106472	Repair kit 30 mm	Repair kit, 30 mm grid

Table 14.10: Accessories – twin tapes

Part no.	Part designation	Description
50120378	BCB twin tape special length / height	BCB twin tape, 40 mm grid, with special length and high; delivery contents: Two bar code tapes with the same value range
50120379	BCB8 twin tape special length / height	BCB8 twin tape, 30 mm grid, with special length and high; delivery contents: Two bar code tapes with the same value range
50120380	BCB twin tape special length	BCB twin tape, 40 mm grid, 47 mm high; delivery contents: Two bar code tapes with the same value range
50120381	BCB8 twin tape special length	BCB8 twin tape, 30 mm grid, 47 mm high; delivery contents: Two bar code tapes with the same value range

15 EU Declaration of Conformity

The bar code positioning systems of the BPS 300 series have been developed and manufactured in accordance with the applicable European standards and directives.

The manufacturer of the product, **Leuze electronic GmbH + Co. KG** in D-73277 Owen, possesses a certified quality assurance system in accordance with ISO 9001.



16 Appendix

16.1 Revision History

16.1.1 Firmware

Table 16.1: Revision History - Firmware

Firmware	Function range	Meaning
V 1.3.0	Firmware for all device models	Support of device models BPS 300i, BPS 301i, BPS 304i, BPS 307i, BPS 348i
	PROFIBUS, PROFINET modules 25, 26 additional	Module 25 signals device status Module 26 signals extended status information (orientation of the BPS to the BCB)
	PROFIBUS, PROFINET modules 4, 5 extended	Switching output functions extended with velocity limit value 1 ... 4
V 1.4.0	PROFIBUS, PROFINET module 28 additional	Output of 16-bit position value
	Minimum traverse rate reduced	Speed measurement with low traverse rates from 0.3 m/min

16.2 Bar code sample

16.2.1 BCB bar code tape with 40 mm grid



Figure 16.1: Continuous, 40 mm grid

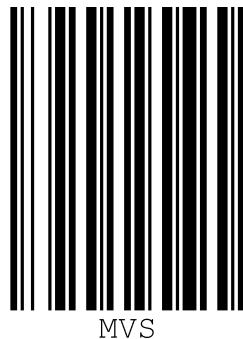


Figure 16.2: Single label MVS, 40 mm grid

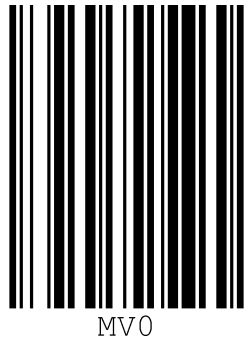


Figure 16.3: Single label MVO, 40 mm grid

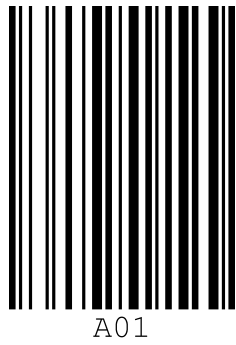


Figure 16.4: Single marker label, 40 mm grid

16.2.2 Bar code tape BCB8 with 30 mm grid



Figure 16.5: Continuous, 30 mm grid

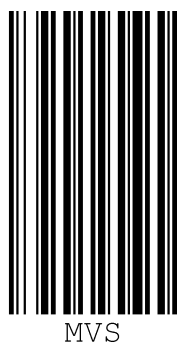


Figure 16.6: Single label MVS, 30 mm grid

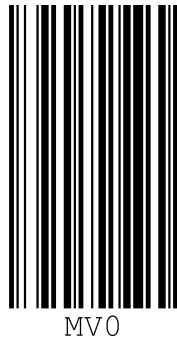


Figure 16.7: Single label MVO, 30 mm grid

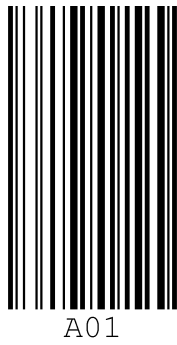


Figure 16.8: Single marker label, 30 mm grid