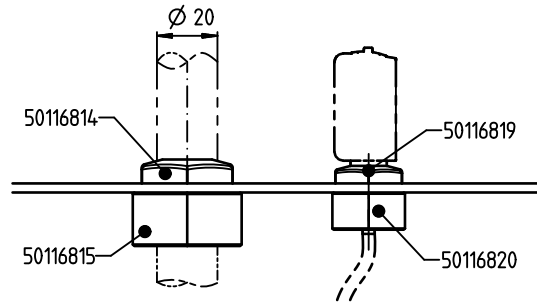


en 02-2014/08 50117994

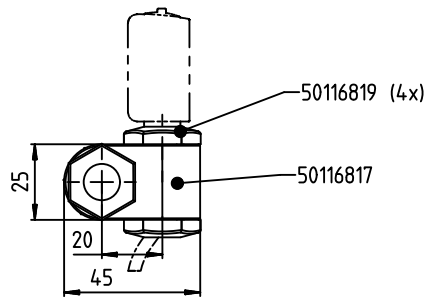


Dimensioned drawing

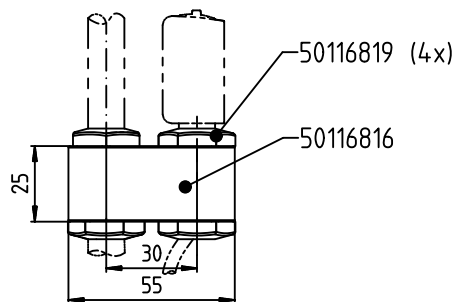
Cheek mounting



Rod mounting 90°



Rod mounting 180°



Tightening torque:

Straining screw Ø 12mm typ. 25Nm, but max. 50Nm !

Straining screw Ø 20mm typ. 50Nm, but max. 75Nm !

We reserve the right to make changes • DS_AccessoryBTU053_en_50117994.fm

Specifications

	BTU 053...-D12-...	BTU 053...-D20-...
General Specifications		
Rod mounting	Ø 12mm	Ø 20mm
Suitable for sensors	53 Series	
Mechanical data		
Material	Clamp: Seal:	stainless steel V4A (AISI 316L) FPM, black
Straining screw tightening torque	Ø 12mm (SW 22): typ. 25Nm max. 50Nm	Ø 20mm (SW 30): typ. 50Nm max. 75Nm

Mounting

1. Select mounting location on the rod and clamp adapter with straining screw.
2. Position sensor and clamp with straining screw.

Order guide

	Designation	Part No.
53 Sensor Series, rod Ø 12mm		
Straining screw	BTU 053M.5F-D12-SS	50116819
Lock nut	BTU 053M.5F-D12-N	50116820
Round stock Ø 20mm		
Straining screw	BTU 053M.5F-D20-SS	50116814
Lock nut	BTU 053M.5F-D20-N	50116815
Adapter		
90° adapter for Ø 12mm	BTU 053M.5F-D12-A090	50116817
180° adapter for Ø 12mm	BTU 053M.5F-D12-A180	50116816

Remarks

Operate in accordance with intended use!

- ↪ The product may only be put into operation by competent persons.
- ↪ Only use the product in accordance with the intended use.