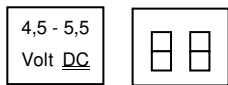




Z-3110

Touchreader



Features

- Scanning by approaching or touching the bar code
- Light, rugged housing
- Big Trigger-Button
- Integrated decoder
- Read status LED indicator and beeper
- With TTL-RS 232, USB and PS2 - Interface
- Operating temperature 0 ... +50°C

We reserve the right to make changes

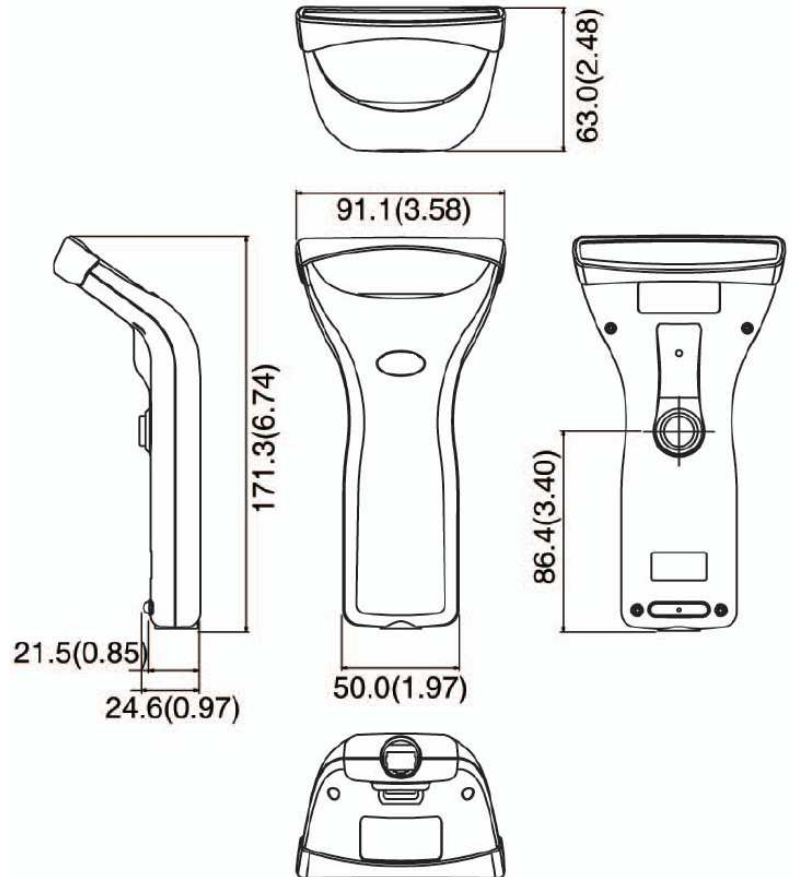


Accessories for Z-3110

(available separately)

- RS-232-Cable Part-No. 501 08574
- PS2-Cable Part-No. 501 08575
- Holder Part-No. 500 34617
- Power supply 5VDC Part-No. 501 09333

Dimensions



Unit: mm(inch)

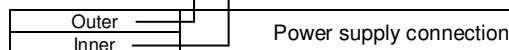
Electrical connection

of USB-cable Part No. 50108573 (171-10U301-200)

USB Type A	Signal	Z-3110 RJ41
1	5 Volt DC	8
2	Data -	
3	Data +	
4	GND	4

of RS 232-cable Part No. 50108574 (171-10R445-200)

9 pin D-Sub	Signal	Z-3110 RJ41
2	TTL-TXD	10
3	TTL-RXD	6
5	GND	4
7	CTS	5
8	RTS	1
9	5 Volt DC	8



of PS2-cable Part No. 50108575 (171-10K100-200)

Mini-DIN Plug (M)	Mini-DIN Plug (F)	Signal	Z-3110 RJ41
1	-	PC Data	9
2	2	NC	
3	3	GND	4
4	4	5 Volt DC	8
5	-	PC Clock	3
6	6	NC	
-	1	KB Data	2
-	5	KB Clock	7



Specifications

Electrical Data

Operating voltage U_B 4,5 - 5,5 Volt DC
Current consumption maximum 0,55 W

Interfaces

Interface type TTL-RS-232, PS2 und USB
Trigger with Button

Codetypes

Barcodes 2/5 Interleaved, Code 39, Code 128, Code 93, Codabar, UPC/EAN, RSS, Codablock...

Optical Data

Optical system 2088 element linear Imager
Contrast 30% (black/white)
Light source integrated LED 630 nm
Reading distance 0 - 20 mm (UPC 100%)

Mechanical Data

Weight 100 g (without cable)
Dimension 171,3 x 91,1 x 63 mm
Shock Fall from a height of 1,0 m

Environmental Data

Temperature (operation) 0 ... +50 °C
Temperature (storage) -20 ... +60 °C
Air humidity 5 ... 95% (non-condensing)
Ambient light max. 4500 Lux

Reading field

Z-3110	Modul			
Barcodes	13 mil / 0,33 mm	0 mm		20 mm

Remarks

Light, rugged Touchreader with integrated Decoder for Barcode.
Data transmission via configurable RS232-Interface.
Or Keyboard-Wedge mode via PS2- or USB-Interface.

Come together with an USB-cable.

Order guide

Touchreader for Bar Codes
Z-3110 with USB-cable

Part-Number
50115358

We reserve the right to make changes