

Cable clip



| | | |
|--|---|-------------------|
| Identification | Type | Kabelschelle KS 0 |
| | Part-No. | 331000.0010 |
| | Cable clip | |
| Use/Application/Characteristics | | |
| Application | • as clamping option | |
| Technical data | | |
| Thread | M6 | |
| For cable diameter | 8 – 12 | |
| weight approx. | 3.00 kg/100 piece | |
| General | | |
| Hexagon screw | slotted | |
| Material | galvanised steel | |
| Color | galvanised | |
| Operation temperature range | 0 °C – + 60 °C | |
| PU | 10 | |
| Comments | Sold only with counter-shell, polypropylene plastic | |
| Note | incl. pressure and counter trough | |
| Accessories | | |

29.04.2017 – Subject to technical modification

Part-No. 331000.0010

USA: LUTZE INC.

13330 South Ridge Drive • Charlotte, NC 28273, USA

Tel. +1 (704) 504-0222 • Fax +1 (704) 504-0223

www.lutze.com • info@lutze.com

United Kingdom: LÜTZE Ltd.

Unit 3, Sandy Hill Park

Sandy Way, Amington • GB-Tamworth, Staffs B77 4DU

Tel. +44 (0)1827 31333-0 • Fax +44 (0)1827 31333-2

www.lutze.com • sales.gb@lutze.co.uk



SYSTEMATIC TECHNOLOGY

Technical data sheet · EMC accessories

Accessories

can be used on Lütze rails
can be used on Lütze rails
can be used on Lütze rails

Article number

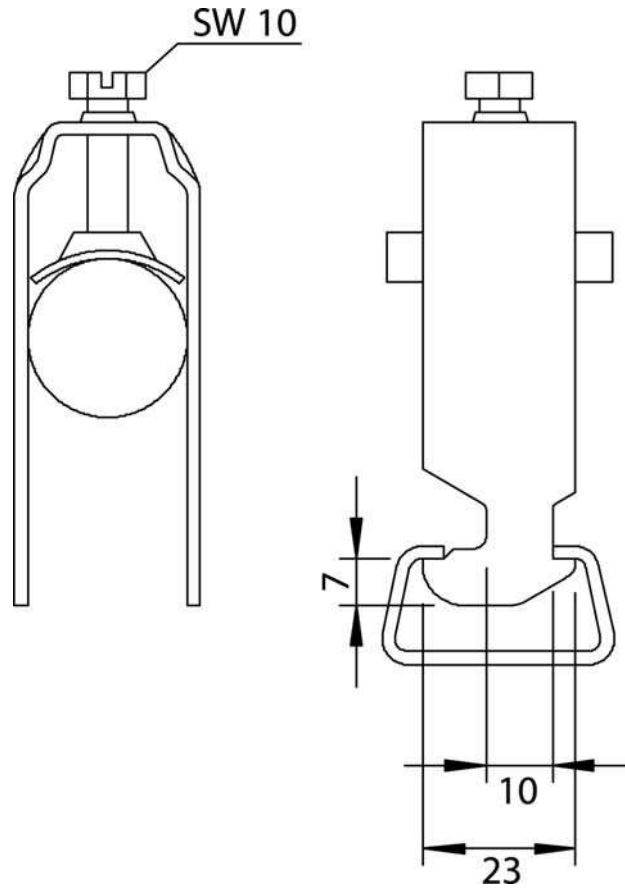
345812
345813
333156

Type

EMVS 03
EMVS 04
C rail

PU

Dimensions



29.04.2017 – Subject to technical modification

Part-No. 331000.0010

USA: LUTZE INC.

13330 South Ridge Drive · Charlotte, NC 28273, USA
Tel. +1 (704) 504-0222 · Fax +1 (704) 504-0223
www.lutze.com · info@lutze.com

United Kingdom: LÜTZE Ltd.

Unit 3, Sandy Hill Park
Sandy Way, Amington · GB-Tamworth, Staffs B77 4DU
Tel. +44 (0)1827 31333-0 · Fax +44 (0)1827 31333-2
www.lutze.com · sales.gb@lutze.co.uk