

Cable clip



<b>Identification</b>	Type	Kabelschelle KS 1
	Part-No.	331001.0010
	Cable clip	
<b>Use/Application/Characteristics</b>		
Application	• as clamping option	
<b>Technical data</b>		
Thread	M6	
For cable diameter	12 – 16	
weight approx.	3.20 kg/100 piece	
<b>General</b>		
Hexagon screw	slotted	
Material	galvanised steel	
Color	galvanised	
Operation temperature range	0 °C – + 60 °C	
PU	10	
<b>Comments</b>	Sold only with counter-shell, polypropylene plastic	
<b>Note</b>	incl. pressure and counter trough	
<b>Accessories</b>		

29.04.2017 – Subject to technical modification

Part-No. 331001.0010

USA: LUTZE INC.

13330 South Ridge Drive • Charlotte, NC 28273, USA  
 Tel. +1 (704) 504-0222 • Fax +1 (704) 504-0223  
 www.lutze.com • info@lutze.com

United Kingdom: LÜTZE Ltd.

Unit 3, Sandy Hill Park  
 Sandy Way, Amington • GB-Tamworth, Staffs B77 4DU  
 Tel. +44 (0)1827 31333-0 • Fax +44 (0)1827 31333-2  
 www.lutze.com • sales.gb@lutze.co.uk



SYSTEMATIC TECHNOLOGY

## Technical data sheet · EMC accessories

### Accessories

can be used on Lütze rails  
can be used on Lütze rails  
can be used on Lütze rails

### Article number

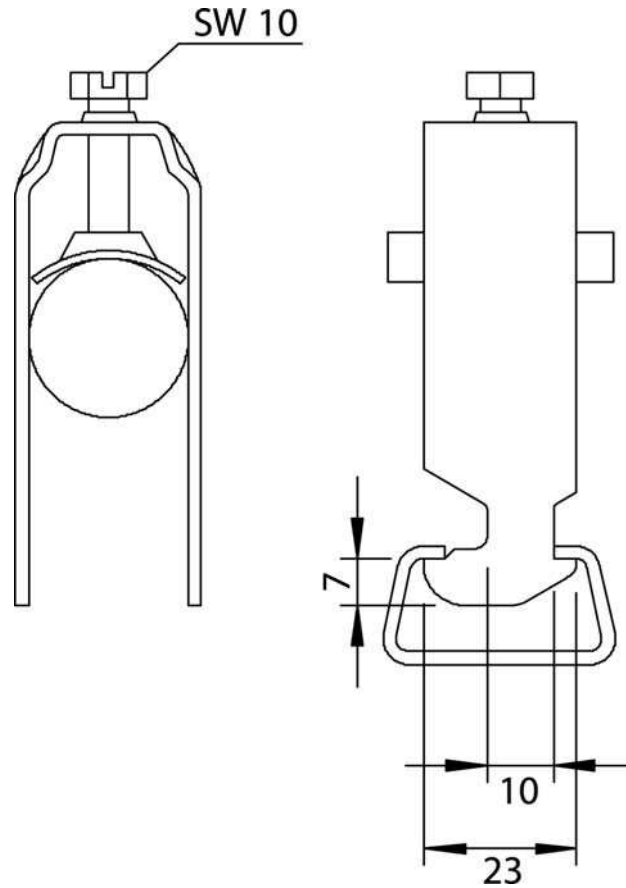
345812  
345813  
333156

### Type

EMVS 03  
EMVS 04  
C rail

### PU

### Dimensions



29.04.2017 – Subject to technical modification

Part-No. 331001.0010

USA: LUTZE INC.

13330 South Ridge Drive · Charlotte, NC 28273, USA  
Tel. +1 (704) 504-0222 · Fax +1 (704) 504-0223  
www.lutze.com · info@lutze.com

United Kingdom: LÜTZE Ltd.

Unit 3, Sandy Hill Park  
Sandy Way, Amington · GB-Tamworth, Staffs B77 4DU  
Tel. +44 (0)1827 31333-0 · Fax +44 (0)1827 31333-2  
www.lutze.com · sales.gb@lutze.co.uk