



Identification	Type	EMVS 03-46812
	Part-No.	346812
	EMC shield rail	
	EMC shield rail with cable clamping options for a wide variety of shield clamps	
Technical data		
Number of shield points	46	
Dimensions (w × h × d)	21.5 × 75.0 × mm	
Length	1173.00 mm	
Weight (kg/piece)	1.169 kg/piece	
General		
Material	ST37-2-G	
Surface	burr-free	
Color	sendzimier-zinc-plated 20-25 µm	
Storage temperature range	-30 °C ... 90 °C	
Operation temperature range	-5 °C – + 80 °C	
PU	1	
Comments	Mounting hole, diam. 8.5 mm, is made by the user. Shield rails are mounted via spacing rollers DR 20×18/8.5 Article no. 330930.0100 possible screw M8×30, Article no. 331050.0100	

29.04.2017 – Subject to technical modification

Part-No. 346812

USA: LUTZE INC.

13330 South Ridge Drive • Charlotte, NC 28273, USA
Tel. +1 (704) 504-0222 • Fax +1 (704) 504-0223
www.lutze.com • info@lutze.com

United Kingdom: LÜTZE Ltd.

Unit 3, Sandy Hill Park
Sandy Way, Amington • GB-Tamworth, Staffs B77 4DU
Tel. +44 (0)1827 31333-0 • Fax +44 (0)1827 31333-2
www.lutze.com • sales.gb@lutze.co.uk

Technical data sheet · EMC accessories

usable shield clamps	For cable diameter	Type	Article number	PU
Shield clamp	0 – 12	EMVSK 12	330089.0100	100
spring shield clamp	12 – 20	EMVFSK 1	330071.0010	10
spring shield clamp	20 – 30	EMVFSK 2	330072.0010	10
spring shield clamp	30 – 50	EMVFSK 3	330073.0010	10
Metal tie wrap		KSE	330060.0010	10

as clamping option	For cable diameter	Type	Article number	PU
Cable clamp	8 – 12	KS 0	331000.0010	10
Cable clamp	12 – 16	KS 1	331001.0010	10
Cable clamp	12 – 16	KS 2	331002.0010	10
Cable clamp	34 – 40	KS 3	331003.0010	10
Cable clamp	52 – 58	KS 4	331004.0010	10

29.04.2017 – Subject to technical modification

Part-No. 346812

USA: LUTZE INC.

13330 South Ridge Drive · Charlotte, NC 28273, USA
Tel. +1 (704) 504-0222 · Fax +1 (704) 504-0223
www.lutze.com · info@lutze.com

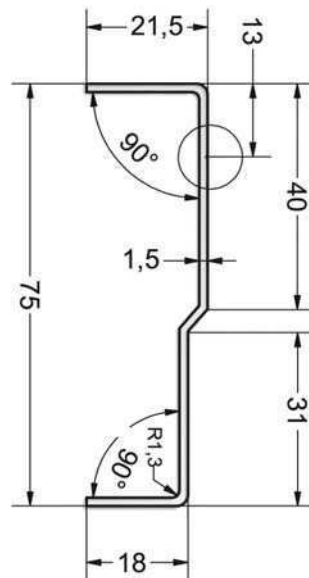
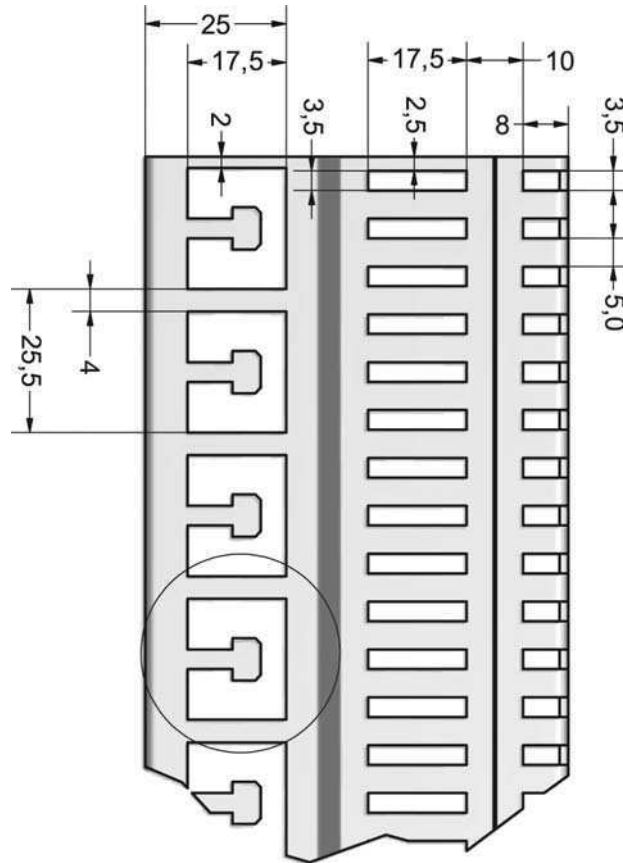
United Kingdom: LÜTZE Ltd.

Unit 3, Sandy Hill Park
Sandy Way, Amington · GB-Tamworth, Staffs B77 4DU
Tel. +44 (0)1827 31333-0 · Fax +44 (0)1827 31333-2
www.lutze.com · sales.gb@lutze.co.uk



SYSTEMATIC TECHNOLOGY

Dimensions



29.04.2017 – Subject to technical modification

Part-No. 346812

USA: LUTZE INC.

13330 South Ridge Drive • Charlotte, NC 28273, USA

Tel. +1 (704) 504-0222 • Fax +1 (704) 504-0223

www.lutze.com • info@lutze.com

United Kingdom: LÜTZE Ltd.

Unit 3, Sandy Hill Park

Sandy Way, Amington • GB-Tamworth, Staffs B77 4DU

Tel. +44 (0)1827 31333-0 • Fax +44 (0)1827 31333-2

www.lutze.com • sales.gb@lutze.co.uk