

Mounting bracket



Identification	Type	Haltewinkel f. EMVS 03
	Part-No.	346860.0002
	Mounting bracket	
	Mounting bracket for fastening the EMC rail in the control cabinet	
Technical data		
Dimensions (w × h × d)	18.0 × 80.0 × 65.0 mm	
Material thickness	3 mm	
Thread	2×M8	
weight approx.	9.80 kg/100 piece	
Hole diameter	2× 8.5 mm	
General		
Material	S235JR (ST37-2)	
Surface	smooth	
Color	Punched edges bare/bright galvanised	
Storage temperature range	-30 °C ... 90 °C	
Operation temperature range	-5 °C – + 80 °C	
PU	2	
Comments	suitable for shield rail 346813	

29.04.2017 – Subject to technical modification

Part-No. 346860.0002

USA: LUTZE INC.

13330 South Ridge Drive · Charlotte, NC 28273, USA

Tel. +1 (704) 504-0222 · Fax +1 (704) 504-0223

www.lutze.com · info@lutze.com

United Kingdom: LÜTZE Ltd.

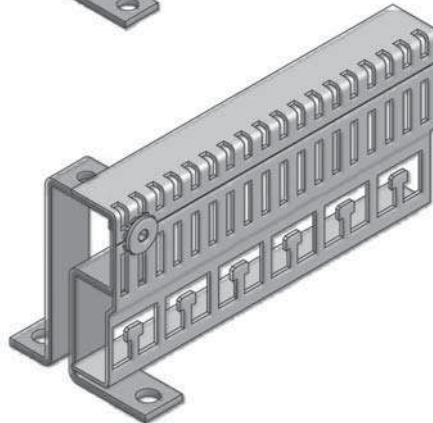
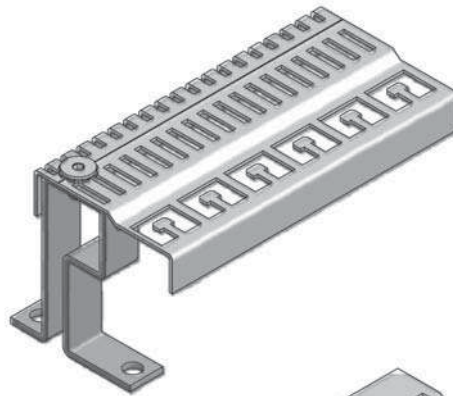
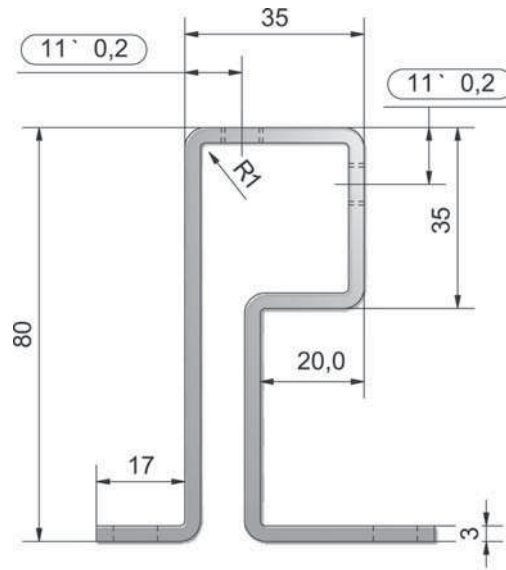
Unit 3, Sandy Hill Park

Sandy Way, Amington · GB-Tamworth, Staffs B77 4DU

Tel. +44 (0)1827 31333-0 · Fax +44 (0)1827 31333-2

www.lutze.com · sales.gb@lutze.co.uk

Dimensions



29.04.2017 – Subject to technical modification

Part-No. 346860.0002

USA: LUTZE INC.

13330 South Ridge Drive • Charlotte, NC 28273, USA

Tel. +1 (704) 504-0222 • Fax +1 (704) 504-0223

www.lutze.com • info@lutze.com

United Kingdom: LÜTZE Ltd.

Unit 3, Sandy Hill Park

Sandy Way, Amington • GB-Tamworth, Staffs B77 4DU

Tel. +44 (0)1827 31333-0 • Fax +44 (0)1827 31333-2

www.lutze.com • sales.gb@lutze.co.uk