

## Technical data sheet · Actuator sensor interface



Connection cables M 12 with solenoid plug BI,  
PUR cable

<b>Identification</b>	Type	STG3-M12/LZ-BI 0° 2,0M PUR
	Part-No.	439020

### Description

Male M12 straight to valve suppressor form B / form BI  
with protection device and LED status indication  
c-track compatible, halogen free

### Technical data

Rated voltage $U_N$	AC/DC 24 V
Rated voltage min.	DC 10 V
Rated voltage max.	28 V
Rated current	4 A
Rated frequency	50 – 60 Hz
Protection device	Z-diode + LED
Pole number	3
Cable length	2.0 m
Status indication	I/O: LED yellow
Current Consumption	4 mA
Cut-off peak	$\leq 52$ V
Holding Capacity	100 VA

### General

29.04.2017 – Subject to technical modification

Part-No. 439020

USA: LUTZE INC.

13330 South Ridge Drive · Charlotte, NC 28273, USA  
Tel. +1 (704) 504-0222 · Fax +1 (704) 504-0223  
www.lutze.com · info@lutze.com

United Kingdom: LÜTZE Ltd.

Unit 3, Sandy Hill Park  
Sandy Way, Amington · GB-Tamworth, Staffs B77 4DU  
Tel. +44 (0)1827 31333-0 · Fax +44 (0)1827 31333-2  
www.lutze.com · sales.gb@lutze.co.uk



SYSTEMATIC TECHNOLOGY

## Technical data sheet - Actuator sensor interface

---

Form male 1	M 12 Male straight
Form male 2	Valve connector Bauf. B Ind.
Nominal insulation voltage	32 V
Degree of pollution	3
Insulation resistance	> 100 M $\Omega$ × km
Contact resistance	< 5 m $\Omega$
Flamability according to UL 94	V0
Protection class	IP65/67
Housing material	TPU
Colour of the housing	black / transparent
Contact material	CuSn, gold-plated
Thread material	Zinc die-casting, nickel-plated
Mounting	Breakaway torque 0.4 Nm
Number of conductors/cross-section	3 × 0.5 mm <sup>2</sup>
Number of conductors	3
Jacket material	PUR
Jacket color	black
Conductor insulation	PP
Outer $\varnothing$	4.5 mm
Bending radius	10 × D
Minimum bending radius moving	10×D
Storage temperature range	-30 °C ... +90 °C
Temperature range connector	-25 °C ... +90 °C
Temperature range fixed	-40 °C ... +80 °C
Temperature range moving	-20 °C ... +70 °C
Weight	0.142 kg/piece
PU	1 Quantity

---

### C-track chain properties

Conduction properties (TYPE A+B+C)

Type B

PUR halogen free for extreme demands

- Very good chemical stability
- Very resistant to oils and lubricants
- Very high abrasion resistance
- Halogen free
- Silicone free, free of paint wetting impairment substances
- Resistant to microbes and hydrolysis
- Good UV stability

---

### Comments

Silicone free, Free from paint wetting impairment substances, resistant to microbes and hydrolysis. Very good resistance to acids, alkalines and solvents. The material resistance is based on the application for use with aggressive media.

29.04.2017 – Subject to technical modification

Part-No. 439020

USA: LUTZE INC.

13330 South Ridge Drive • Charlotte, NC 28273, USA

Tel. +1 (704) 504-0222 • Fax +1 (704) 504-0223

www.lutze.com • info@lutze.com

United Kingdom: LÜTZE Ltd.

Unit 3, Sandy Hill Park

Sandy Way, Amington • GB-Tamworth, Staffs B77 4DU

Tel. +44 (0)1827 31333-0 • Fax +44 (0)1827 31333-2

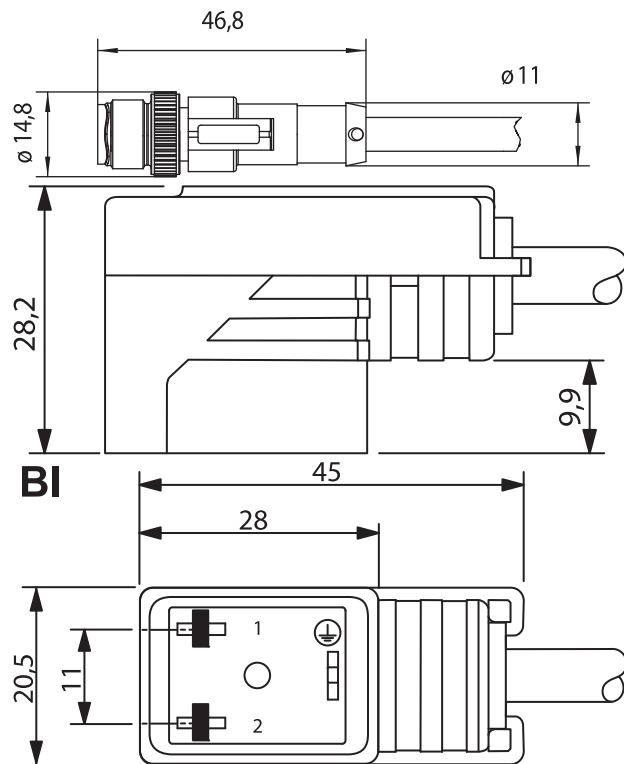
www.lutze.com • sales.gb@lutze.co.uk



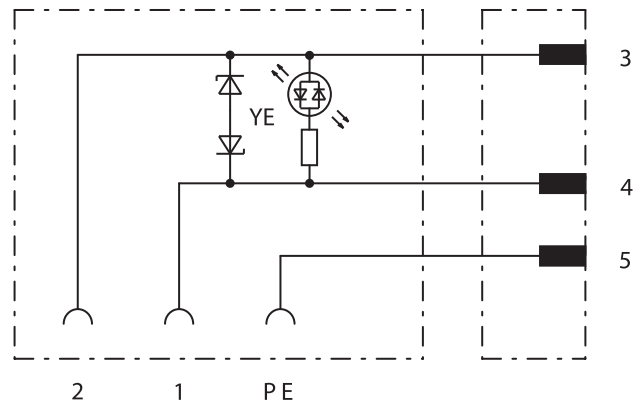
SYSTEMATIC TECHNOLOGY

# Technical data sheet · Actuator sensor interface

## Dimensions



## PIN assignment



29.04.2017 – Subject to technical modification

Part-No. 439020

USA: LUTZE INC.

13330 South Ridge Drive · Charlotte, NC 28273, USA

Tel. +1 (704) 504-0222 · Fax +1 (704) 504-0223

www.lutze.com · info@lutze.com

United Kingdom: LÜTZE Ltd.

Unit 3, Sandy Hill Park

Sandy Way, Amington · GB-Tamworth, Staffs B77 4DU

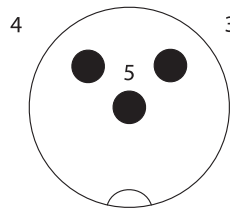
Tel. +44 (0)1827 31333-0 · Fax +44 (0)1827 31333-2

www.lutze.com · sales.gb@lutze.co.uk

## Technical data sheet - Actuator sensor interface

---

### Pin layout



### Symbols



---

### Accessories

Torque setting tool M 12

### Part No.

490091

### Type

DM-SET M12

### PU

1

29.04.2017 – Subject to technical modification

Part-No. 439020

USA: LUTZE INC.

13330 South Ridge Drive • Charlotte, NC 28273, USA  
Tel. +1 (704) 504-0222 • Fax +1 (704) 504-0223  
www.lutze.com • info@lutze.com

United Kingdom: LÜTZE Ltd.

Unit 3, Sandy Hill Park  
Sandy Way, Amington • GB-Tamworth, Staffs B77 4DU  
Tel. +44 (0)1827 31333-0 • Fax +44 (0)1827 31333-2  
www.lutze.com • sales.gb@lutze.co.uk