



<b>Identification</b>	Type	STG4-M12/KUG4-M12 (C) 1,0M PUR
	Part-No.	457110

<b>Description</b>	Male M12 straight to female M12 straight with PUR cable and 360° shielding self-locking screwed connection c-track compatible, halogen free
--------------------	---

<b>Technical data</b>	
Nominal voltage	AC/DC 24 V
Nominal voltage range	max. 250 V
Rated current	4 A
Pol number	4
Cable length (m)	1.0 m
Coding	A
Shielding	360°

<b>General</b>	
Form	M12 × 1, male straight / M12 × 1, female straight
Rated insulation voltage (EN 50178)	320 V
Test voltage	2.5 kV
Pollution degree	3
Insulation resistance	>10 <sup>9</sup> Ω

05.08.2015 – Subject to technical modification

Part-No. 457110

USA: LUTZE INC.

13330 South Ridge Drive • Charlotte, NC 28273, USA  
Tel. +1 (704) 504-0222 • Fax +1 (704) 504-0223  
www.lutze.com • info@lutze.com

United Kingdom: LÜTZE Ltd.

Unit 3, Sandy Hill Park  
Sandy Way, Amington • GB-Tamworth, Staffs B77 4DU  
Tel. +44 (0)1827 31333-0 • Fax +44 (0)1827 31333-2  
www.lutze.com • sales.gb@lutze.co.uk



## Technical data sheet - Actuator sensor interface

---

Contact resistance	<5 mΩ
Class of flammability according to UL 94	V0
Protection class	IP 67 / IP 69K, in screwed condition
Housing material	TPU black
Contact material	CuSn, gold plated nickel
Thread material	Zinc die-casting, nickel-plated
Gasket	NBR
Cable construction	4 × 0.34 mm <sup>2</sup> (42 × 0.1)
Cable jacket	PUR black
Conductor insulation	PP
Cable diameter	4.9 mm
Bending radius	10 × cable diameter
Storage temperature range	-30 °C – 90 °C
Temperature range connector	-25 °C – 90 °C
Temperature range cable fixed	-40 °C – 80 °C
Temperature range cable moving	-25 °C – 80 °C
Weight (kg/piece)	0.110
Approvals	cULus
PU	10
C-track chain properties	Type B

---

### C-track chain properties

---

C-track chain properties	Type A	Type B	Type C
Bending cycles min.	5 million	4 million	2 million
Minimum bending radius	10 × D	10 × D	10 × D
Travel distance	10 m	10 m	5 m
Acceleration	7 m/s <sup>2</sup>	10 m/s <sup>2</sup>	5 m/s <sup>2</sup>
Speed	3 m/s	3 m/s	3 m/s
Conduction properties (TYPE A+B+C)	PUR halogen free for extreme demands <ul style="list-style-type: none"><li>• Very good chemical stability</li><li>• Very resistant to oils and lubricants</li><li>• Very high abrasion resistance</li><li>• Halogen free</li><li>• Silicone free, free of paint wetting impairment substances</li><li>• Resistant to microbes and hydrolysis</li><li>• Good UV stability</li></ul>		

05.08.2015 – Subject to technical modification

Part-No. 457110

USA: LUTZE INC.

13330 South Ridge Drive • Charlotte, NC 28273, USA

Tel. +1 (704) 504-0222 • Fax +1 (704) 504-0223

www.lutze.com • info@lutze.com

United Kingdom: LÜTZE Ltd.

Unit 3, Sandy Hill Park

Sandy Way, Amington • GB-Tamworth, Staffs B77 4DU

Tel. +44 (0)1827 31333-0 • Fax +44 (0)1827 31333-2

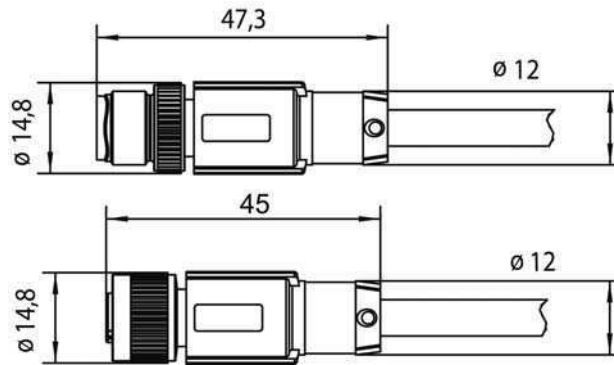
www.lutze.com • sales.gb@lutze.co.uk



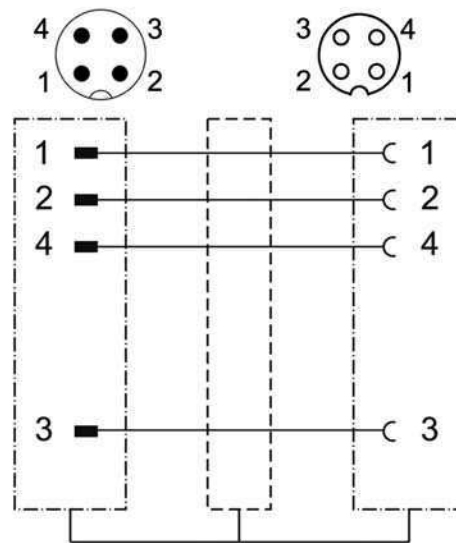
SYSTEMATIC TECHNOLOGY

# Technical data sheet · Actuator sensor interface

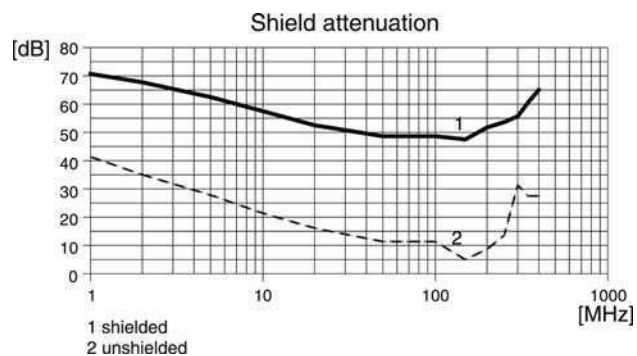
## Dimensions



## PIN assignment



## Action chart



05.08.2015 – Subject to technical modification

Part-No. 457110

USA: LUTZE INC.

13330 South Ridge Drive · Charlotte, NC 28273, USA

Tel. +1 (704) 504-0222 · Fax +1 (704) 504-0223

www.lutze.com · info@lutze.com

United Kingdom: LÜTZE Ltd.

Unit 3, Sandy Hill Park

Sandy Way, Amington · GB-Tamworth, Staffs B77 4DU

Tel. +44 (0)1827 31333-0 · Fax +44 (0)1827 31333-2

www.lutze.com · sales.gb@lutze.co.uk

## Technical data sheet - Actuator sensor interface

---

Logo



---

### Accessories

---

Accessories	Article number	Type	PU
Cable markers 4×23mm	499988	LB M8/M12	5
Torque setting tool M12	490091	DM-SET M12	1

05.08.2015 – Subject to technical modification

Part-No. 457110

USA: LUTZE INC.

13330 South Ridge Drive • Charlotte, NC 28273, USA

Tel. +1 (704) 504-0222 • Fax +1 (704) 504-0223

www.lutze.com • info@lutze.com

United Kingdom: LÜTZE Ltd.

Unit 3, Sandy Hill Park

Sandy Way, Amington • GB-Tamworth, Staffs B77 4DU

Tel. +44 (0)1827 31333-0 • Fax +44 (0)1827 31333-2

www.lutze.com • sales.gb@lutze.co.uk



SYSTEMATIC TECHNOLOGY