



| | | |
|-----------------------|----------|--------------------------------|
| Identification | Type | STG4-M12/KUG4-M12 (C) 5,0M PUR |
| | Part-No. | 457150 |

| | |
|--------------------|---|
| Description | Male M12 straight to female M12 straight with PUR cable and 360° shielding self-locking screwed connection c-track compatible, halogen free |
|--------------------|---|

| | |
|-----------------------|------------|
| Technical data | |
| Nominal voltage | AC/DC 24 V |
| Nominal voltage range | max. 250 V |
| Rated current | 4 A |
| Pol number | 4 |
| Cable length (m) | 5.0 m |
| Coding | A |
| Shielding | 360° |

| | |
|-------------------------------------|---|
| General | |
| Form | M12 × 1, male straight / M12 × 1, female straight |
| Rated insulation voltage (EN 50178) | 320 V |
| Test voltage | 2.5 kV |
| Pollution degree | 3 |
| Insulation resistance | >10 ⁹ Ω |

05.08.2015 – Subject to technical modification

Part-No. 457150

USA: LUTZE INC.

13330 South Ridge Drive • Charlotte, NC 28273, USA
Tel. +1 (704) 504-0222 • Fax +1 (704) 504-0223
www.lutze.com • info@lutze.com

United Kingdom: LÜTZE Ltd.

Unit 3, Sandy Hill Park
Sandy Way, Amington • GB-Tamworth, Staffs B77 4DU
Tel. +44 (0)1827 31333-0 • Fax +44 (0)1827 31333-2
www.lutze.com • sales.gb@lutze.co.uk



Technical data sheet - Actuator sensor interface

| | |
|--|--------------------------------------|
| Contact resistance | <5 mΩ |
| Class of flammability according to UL 94 | V0 |
| Protection class | IP 67 / IP 69K, in screwed condition |
| Housing material | TPU black |
| Contact material | CuSn, gold plated nickel |
| Thread material | Zinc die-casting, nickel-plated |
| Gasket | NBR |
| Cable construction | 4 × 0.34 mm ² (42 × 0.1) |
| Cable jacket | PUR black |
| Conductor insulation | PP |
| Cable diameter | 4.9 mm |
| Bending radius | 10 × cable diameter |
| Storage temperature range | -30 °C – 90 °C |
| Temperature range connector | -25 °C – 90 °C |
| Temperature range cable fixed | -40 °C – 80 °C |
| Temperature range cable moving | -25 °C – 80 °C |
| Weight (kg/piece) | 0.310 |
| Approvals | cULus |
| PU | 10 |
| C-track chain properties | Type B |

C-track chain properties

| C-track chain properties | Type A | Type B | Type C |
|------------------------------------|--|---------------------|--------------------|
| Bending cycles min. | 5 million | 4 million | 2 million |
| Minimum bending radius | 10 × D | 10 × D | 10 × D |
| Travel distance | 10 m | 10 m | 5 m |
| Acceleration | 7 m/s ² | 10 m/s ² | 5 m/s ² |
| Speed | 3 m/s | 3 m/s | 3 m/s |
| Conduction properties (TYPE A+B+C) | PUR halogen free for extreme demands <ul style="list-style-type: none">• Very good chemical stability• Very resistant to oils and lubricants• Very high abrasion resistance• Halogen free• Silicone free, free of paint wetting impairment substances• Resistant to microbes and hydrolysis• Good UV stability | | |

05.08.2015 – Subject to technical modification

Part-No. 457150

USA: LUTZE INC.

13330 South Ridge Drive • Charlotte, NC 28273, USA

Tel. +1 (704) 504-0222 • Fax +1 (704) 504-0223

www.lutze.com • info@lutze.com

United Kingdom: LÜTZE Ltd.

Unit 3, Sandy Hill Park

Sandy Way, Amington • GB-Tamworth, Staffs B77 4DU

Tel. +44 (0)1827 31333-0 • Fax +44 (0)1827 31333-2

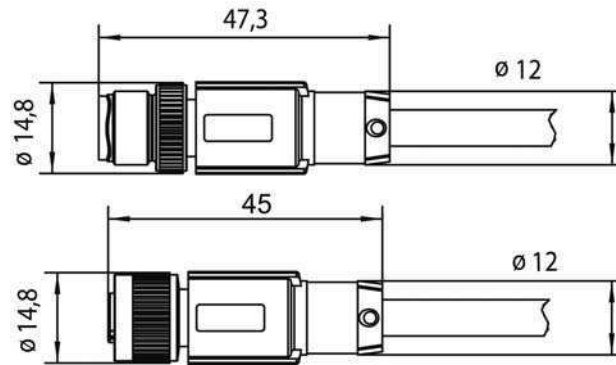
www.lutze.com • sales.gb@lutze.co.uk



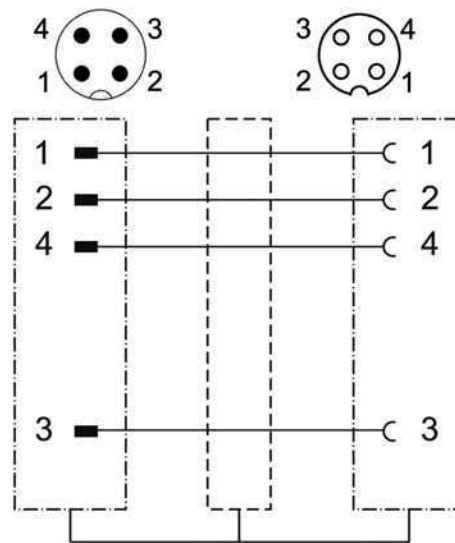
SYSTEMATIC TECHNOLOGY

Technical data sheet · Actuator sensor interface

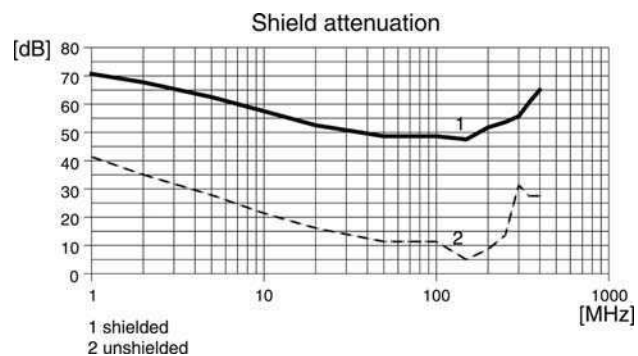
Dimensions



PIN assignment



Action chart



05.08.2015 – Subject to technical modification

Part-No. 457150

USA: LUTZE INC.

13330 South Ridge Drive · Charlotte, NC 28273, USA

Tel. +1 (704) 504-0222 · Fax +1 (704) 504-0223

www.lutze.com · info@lutze.com

United Kingdom: LÜTZE Ltd.

Unit 3, Sandy Hill Park

Sandy Way, Amington · GB-Tamworth, Staffs B77 4DU

Tel. +44 (0)1827 31333-0 · Fax +44 (0)1827 31333-2

www.lutze.com · sales.gb@lutze.co.uk

Technical data sheet - Actuator sensor interface

Logo



Accessories

| Accessories | Article number | Type | PU |
|-------------------------|----------------|------------|----|
| Cable markers 4×23mm | 499988 | LB M8/M12 | 5 |
| Torque setting tool M12 | 490091 | DM-SET M12 | 1 |

05.08.2015 – Subject to technical modification

Part-No. 457150

USA: LUTZE INC.

13330 South Ridge Drive • Charlotte, NC 28273, USA

Tel. +1 (704) 504-0222 • Fax +1 (704) 504-0223

www.lutze.com • info@lutze.com

United Kingdom: LÜTZE Ltd.

Unit 3, Sandy Hill Park

Sandy Way, Amington • GB-Tamworth, Staffs B77 4DU

Tel. +44 (0)1827 31333-0 • Fax +44 (0)1827 31333-2

www.lutze.com • sales.gb@lutze.co.uk



SYSTEMATIC TECHNOLOGY