

# Technical data sheet · Control panel installation

Mounting accessories and tools



<b>Identification</b>	Type	ST-3/S GR
	Part-No.	680572

## Use/Application/Characteristics

Characteristics	<ul style="list-style-type: none"><li>The developed snap-fit socket with fully-protected wire connections and integrated snap connection enables a simple and quick installation in the control cabinet.</li></ul>
-----------------	--

## Technical data

Voltage	250 V
Rated current range	16 A
Rated current range	10 A
Pole number	2

## Construction

Description	ST-3/S GR
Color	grey

## General

Weight	6.2 kg/100 units
PU	10 Quantity
Note	IEC83 / DIN 49440-1

28.01.2017 – Subject to technical modification

Part-No. 680572

USA: LUTZE INC.

13330 South Ridge Drive • Charlotte, NC 28273, USA  
Tel. +1 (704) 504-0222 • Fax +1 (704) 504-0223  
www.lutze.com • info@lutze.com

United Kingdom: LÜTZE Ltd.

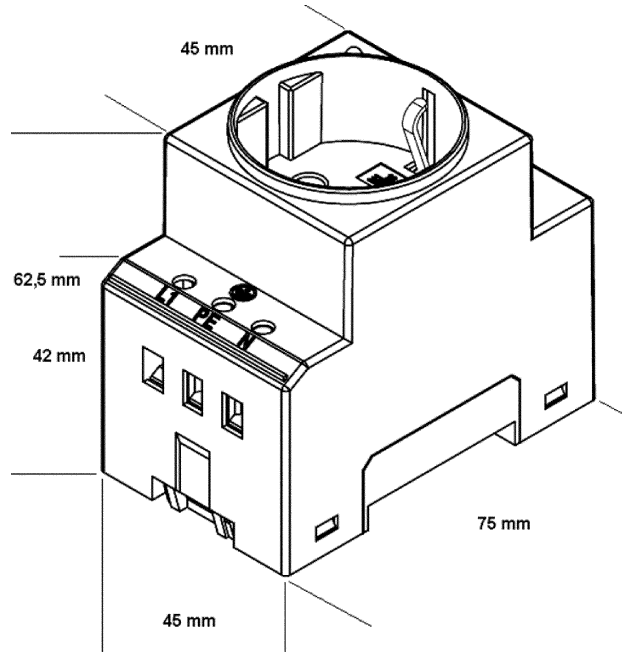
Unit 3, Sandy Hill Park  
Sandy Way, Amington • GB-Tamworth, Staffs B77 4DU  
Tel. +44 (0)1827 31333-0 • Fax +44 (0)1827 31333-2  
www.lutze.com • sales.gb@lutze.co.uk



SYSTEMATIC TECHNOLOGY

# Technical data sheet · Control panel installation

## Dimensions



28.01.2017 – Subject to technical modification

Part-No. 680572

USA: LUTZE INC.

13330 South Ridge Drive • Charlotte, NC 28273, USA  
Tel. +1 (704) 504-0222 • Fax +1 (704) 504-0223  
www.lutze.com • info@lutze.com

United Kingdom: LÜTZE Ltd.

Unit 3, Sandy Hill Park  
Sandy Way, Amington • GB-Tamworth, Staffs B77 4DU  
Tel. +44 (0)1827 31333-0 • Fax +44 (0)1827 31333-2  
www.lutze.com • sales.gb@lutze.co.uk