

Technical data sheet · Control panel installation

Mounting accessories and tools



Identification	Type	STECKDOSE ST-3/F
	Part-No.	680573

Use/Application/Characteristics

Characteristics	<ul style="list-style-type: none">The developed snap-fit socket with fully-protected wire connections and integrated snap connection enables a simple and quick installation in the control cabinet.
-----------------	--

Technical data

Voltage	250 V
Rated current range	16 A
Rated current range	10 A
Pole number	2

Construction

Description	Socket ST-3/F
Color	grey

General

Weight	6.3 kg/100 units
PU	10 Quantity

28.01.2017 – Subject to technical modification

Part-No. 680573

USA: LUTZE INC.

13330 South Ridge Drive · Charlotte, NC 28273, USA
Tel. +1 (704) 504-0222 · Fax +1 (704) 504-0223
www.lutze.com · info@lutze.com

United Kingdom: LÜTZE Ltd.

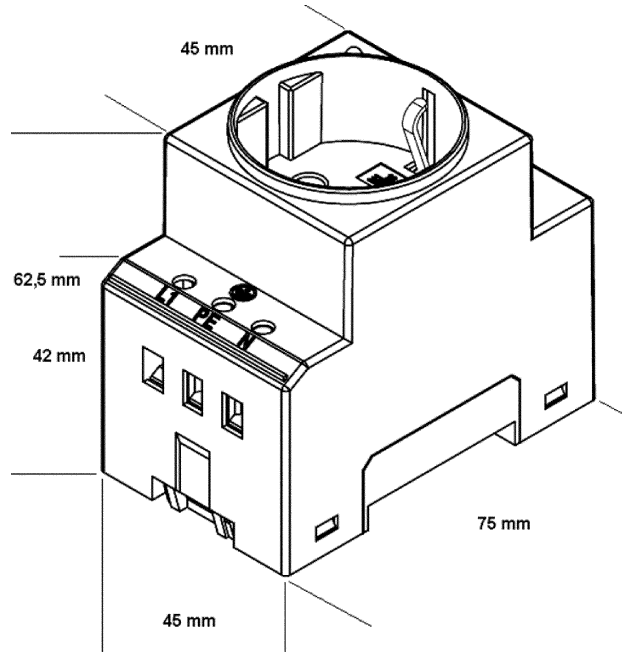
Unit 3, Sandy Hill Park
Sandy Way, Amington · GB-Tamworth, Staffs B77 4DU
Tel. +44 (0)1827 31333-0 · Fax +44 (0)1827 31333-2
www.lutze.com · sales.gb@lutze.co.uk



SYSTEMATIC TECHNOLOGY

Technical data sheet · Control panel installation

Dimensions



28.01.2017 – Subject to technical modification

Part-No. 680573

USA: LUTZE INC.

13330 South Ridge Drive • Charlotte, NC 28273, USA
Tel. +1 (704) 504-0222 • Fax +1 (704) 504-0223
www.lutze.com • info@lutze.com

United Kingdom: LÜTZE Ltd.

Unit 3, Sandy Hill Park
Sandy Way, Amington • GB-Tamworth, Staffs B77 4DU
Tel. +44 (0)1827 31333-0 • Fax +44 (0)1827 31333-2
www.lutze.com • sales.gb@lutze.co.uk