

Technical data sheet · Control panel installation

Mounting accessories and tools



Identification	Type	STECKDOSE ST-3/S GE
	Part-No.	680576
Use/Application/Characteristics		
Characteristics	• The developed snap-fit socket with fully-protected wire connections and integrated snap connection enables a simple and quick installation in the control cabinet.	
Technical data		
Voltage	250 V	
Rated current range	16 A	
Rated current range	10 A	
Pole number	2	
Construction		
Description	Socket ST-3/S GE	
Color	yellow	
General		
Weight	6.2 kg/100 units	
PU	10 Quantity	

28.01.2017 – Subject to technical modification

Part-No. 680576

USA: LUTZE INC.

13330 South Ridge Drive • Charlotte, NC 28273, USA
Tel. +1 (704) 504-0222 • Fax +1 (704) 504-0223
www.lutze.com • info@lutze.com

United Kingdom: LÜTZE Ltd.

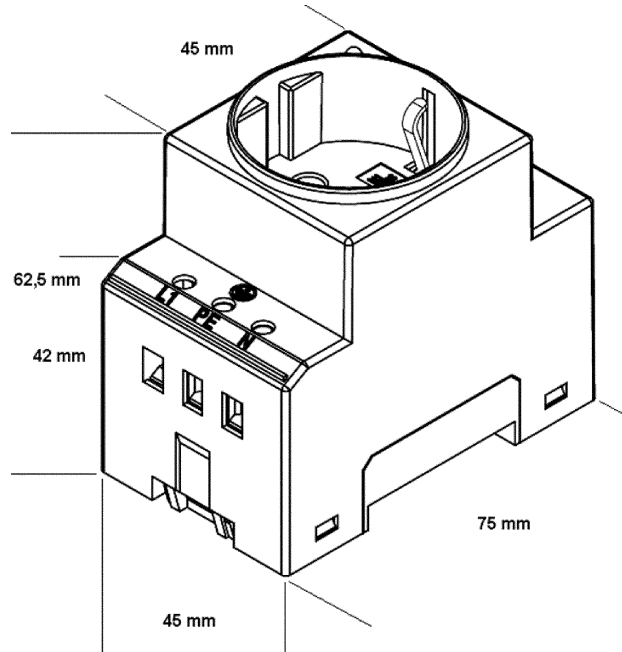
Unit 3, Sandy Hill Park
Sandy Way, Amington • GB-Tamworth, Staffs B77 4DU
Tel. +44 (0)1827 31333-0 • Fax +44 (0)1827 31333-2
www.lutze.com • sales.gb@lutze.co.uk



SYSTEMATIC TECHNOLOGY

Technical data sheet · Control panel installation

Dimensions



28.01.2017 – Subject to technical modification

Part-No. 680576

USA: LUTZE INC.

13330 South Ridge Drive • Charlotte, NC 28273, USA
Tel. +1 (704) 504-0222 • Fax +1 (704) 504-0223
www.lutze.com • info@lutze.com

United Kingdom: LÜTZE Ltd.

Unit 3, Sandy Hill Park
Sandy Way, Amington • GB-Tamworth, Staffs B77 4DU
Tel. +44 (0)1827 31333-0 • Fax +44 (0)1827 31333-2
www.lutze.com • sales.gb@lutze.co.uk