



Identification	Type	LRC-M5-0374 3AC 500V 4kW
	Part-No.	700374
Technical data		
Function type	Motor suppression	
Protection device	RC module	
Nominal voltage	3 ACx500 V	
Rated frequency	50–60 Hz	
Motor performance	4 kW	
Type of connecting lead	PVC 3 x 1.0 mm ²	
Length of connecting lead (M)	0.5 M	
Connecting lead	Ø 6.3 mm	
Fittings	PG 9	
Suppression type	Motor connection star	
General		
Form	M5	
Pottant	2-components	
Housing material	PA 6.6	
Protection class	IP 67	
Field installation	Can be screwed in directly in the terminal housing, with cable ties at the motor supply line for fixing or with 2 snap-on sockets (accessory)	
Termination	Ring terminal M5	
Operation temperature range	-20 °C – 60 °C	

28.01.2017 – Subject to technical modification

Part-No. 700374

USA: LUTZE INC.

13330 South Ridge Drive • Charlotte, NC 28273, USA
 Tel. +1 (704) 504-0222 • Fax +1 (704) 504-0223
 www.lutze.com • info@lutze.com

United Kingdom: LÜTZE Ltd.

Unit 3, Sandy Hill Park
 Sandy Way, Amington • GB-Tamworth, Staffs B77 4DU
 Tel. +44 (0)1827 31333-0 • Fax +44 (0)1827 31333-2
 www.lutze.com • sales.gb@lutze.co.uk

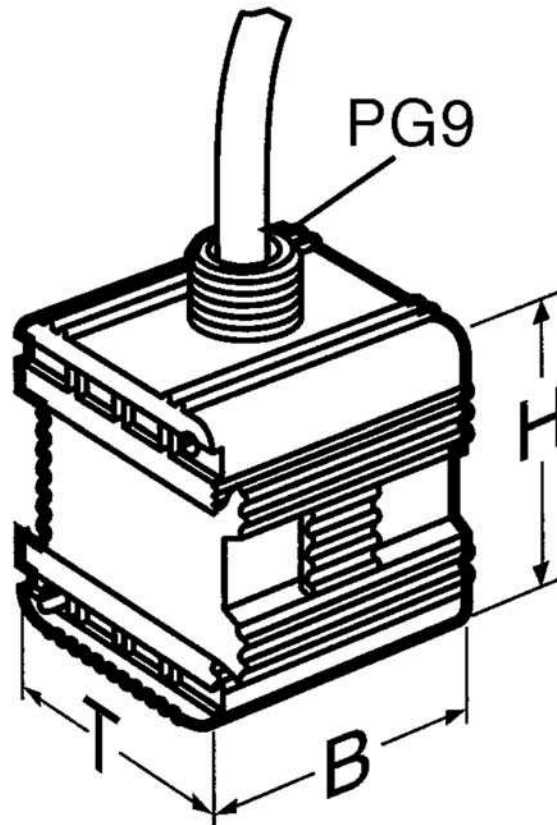


SYSTEMATIC TECHNOLOGY

Technical data sheet · Suppression Technology

Storage temperature range	-40 °C ... 90 °C
Dimensions (w × h × d)	40.0 × 40.0 × 40.0 mm
Weight (kg/piece)	0.113

Dimensions



28.01.2017 – Subject to technical modification

Part-No. 700374

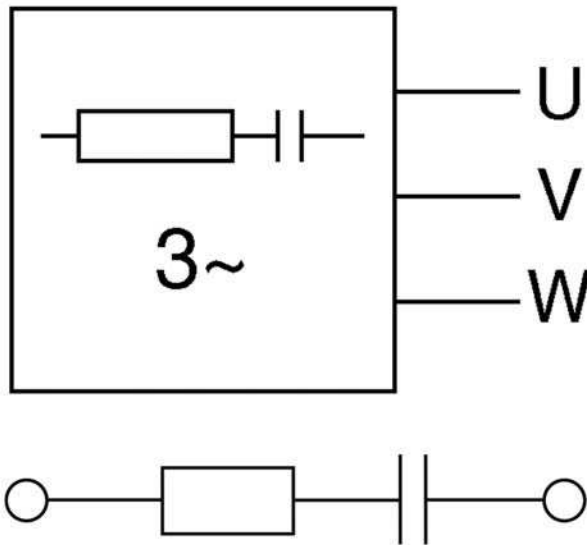
USA: LUTZE INC.

13330 South Ridge Drive • Charlotte, NC 28273, USA
Tel. +1 (704) 504-0222 • Fax +1 (704) 504-0223
www.lutze.com • info@lutze.com

United Kingdom: LÜTZE Ltd.

Unit 3, Sandy Hill Park
Sandy Way, Amington • GB-Tamworth, Staffs B77 4DU
Tel. +44 (0)1827 31333-0 • Fax +44 (0)1827 31333-2
www.lutze.com • sales.gb@lutze.co.uk

PIN assignment



Accessories

Accessories	Color	Article number	Description
Snap-on socket for hat profile TS35	700499	Socket for attaching of the suppressor module to hat profile TS35 (EN 50022) or G-rails	10

28.01.2017 – Subject to technical modification

Part-No. 700374

USA: LUTZE INC.

13330 South Ridge Drive • Charlotte, NC 28273, USA
Tel. +1 (704) 504-0222 • Fax +1 (704) 504-0223
www.lutze.com • info@lutze.com

United Kingdom: LÜTZE Ltd.

Unit 3, Sandy Hill Park
Sandy Way, Amington • GB-Tamworth, Staffs B77 4DU
Tel. +44 (0)1827 31333-0 • Fax +44 (0)1827 31333-2
www.lutze.com • sales.gb@lutze.co.uk



SYSTEMATIC TECHNOLOGY